

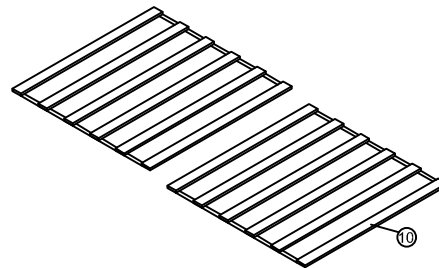
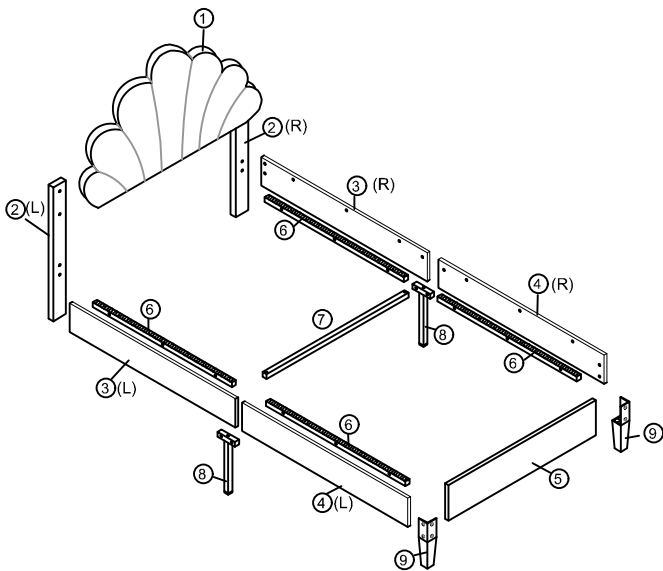
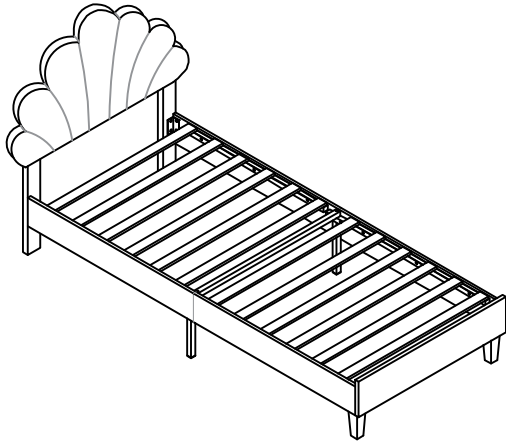
ASSEMBLY INSTRUCTION

TIPS

1. Please read the instructions fully before assembly. These instructions include important information which could ensure correct assembly. We have been working on providing high quality products for you. However, in the rare instance that your product is defective, missing parts or there are some issues, please don't hesitate to contact our customer service to submit parts requirements, assembly suggestion, or warranty claims, and we will give the best solution as soon as possible. If necessary, we need you to provide some more clear pictures of the issue.

2. Insert the screws in holes and tighten the screws, but not too tight, 70%~80% is ok, finally tighten all the screws. If some issues happened that some screws can not target to the hole or some parts are difficult to install, please adjust the tightness of the screws.

3. 2 people are recommended to finish



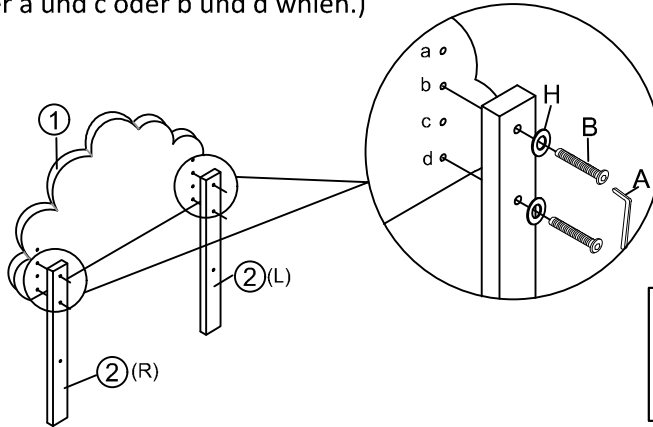
Parts List			Hardware List		
NO	ITEM	QTY	NO	ITEM	QTY
1	Head board	1	A	Allen Key 	1
2	Head board legs	2	B	Bolts (M8x45mm) 	4
3	Siderails	2	C	Bolts (M8x18mm) 	16
4	Siderails	2	D	Bolts (M8x40mm) 	18
5	Foot board	1	F	"7" Connector 	2
6	Side rails support bar	4	H	Washer 	8
7	Cross bar	2			
8	Side rails support legs	2			
9	Legs	2			
10	Slats	12			




Attention: Do not tighten the screws before completing the entire installation. If you have any difficulty with the installation process, please feel free to contact us.

Step 1 x2

Fix the Headboard legs ② to the Headboard ① with Bolt B and Washers H by using Allen key A. You can chose the holes a and c or b and d.

(Befestigen Sie die Kopfteilbeine ② am Kopfteil ① mit Bolzen B und Unterlegscheiben H mit Inbusschlüssel A. Sie knnen die Lcher a und c oder b und d whlen.)

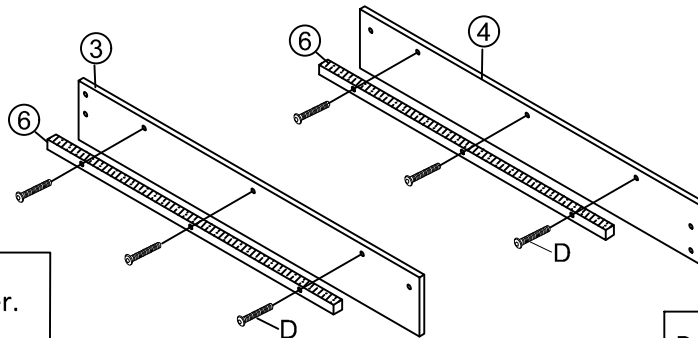


A Allen Key x 1	B Bolts x 4 M8X45mm	H Washer x 4
		



Step 2 x2

Connect Siderail support bar ⑥ to Siderails ③ and ④ with Bolts D by using Allen key A.

(Schließen Sie die Siderail -Support -Bar ⑥ an Siderails ③ und ④ With Bolts D mit Allen Key A.an.)



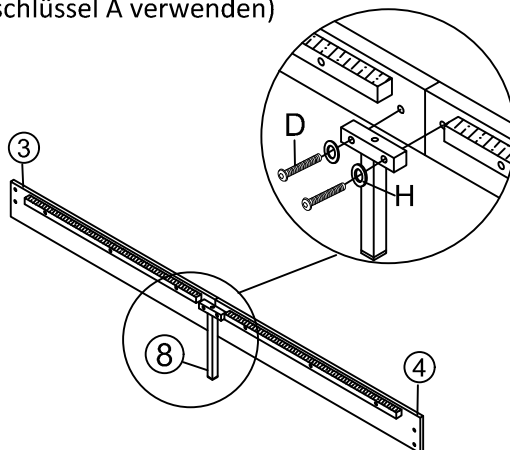
NOTICE:
Please assemble ③ and ④ together.
NOTIZ:
Bitte ③ und ④ zusammen montieren




D Bolts x 12 M8X40mm	A Allen Key x 1
	

Step 3 x2

Fix the side rails support leg ⑧ to the assembled side rail with Bolts D and Washer H by using Allen key A

(Befestigen Sie das Seitenschienen-Stützbein ⑧ mit den Schrauben D und der Unterlegscheibe H an der Seitenschiene, indem Sie den Inbusschlüssel A verwenden)

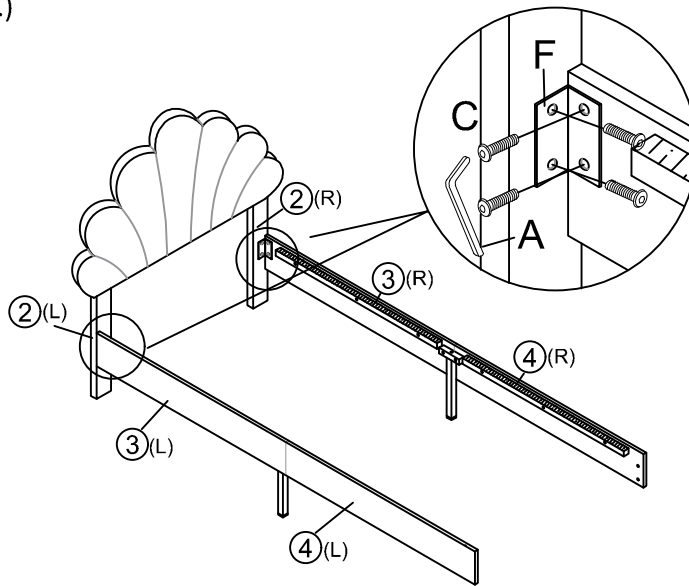





D Bolts x 4 M8X40mm	H Washer x 4	Allen Key
		

Step 4 x2

Fix the assembled siderail to the Headboard legs ② with Bolt C and "7" Connector F by using Allen key A.

(Befestigen Sie die zusammengebaute Seitenschiene an den Kopfteilbeinen ② mit Schraube C und 7"-Anschluss F mit Inbusschlüssel A.)

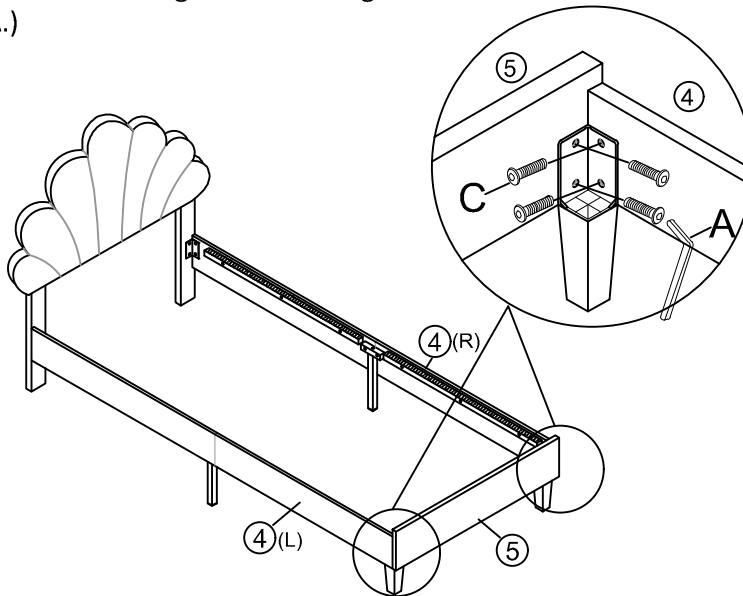




C Bolts x 8  M8X18mm	F "7" Connector x 2 	Allen Key 
---	--	--

Step 5 x2

Fix the assembled siderail to the footboard ⑤ with Bolt C and legs ④ by using Allen key A.

(Befestigen Sie das zusammengebaute Seitengitter mit Schraube C am Trittbrett und die Beine ④ mit dem Inbusschlüssel A.)

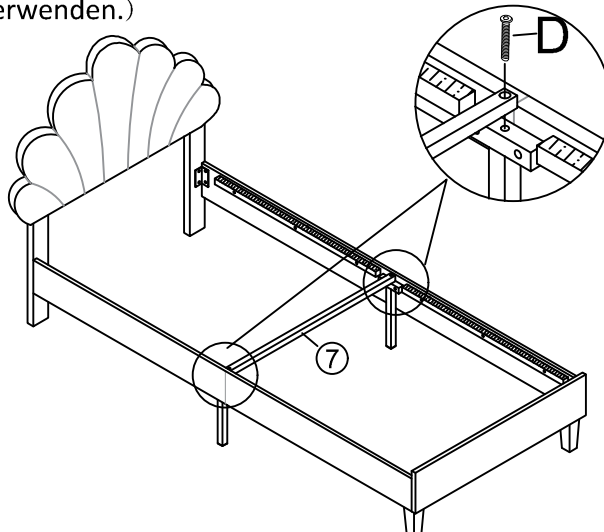




C Bolts x 8  M8X18mm	Allen Key 
---	--

Step 6

Fix the cross bar ⑦ to the side rails support legs ⑧ with Bolts D by using Allen key A

(Befestigen Sie die Querstange ⑦ an den Seitenschiene-Stützbeinen ⑧ mit den Schrauben D, indem Sie den Inbusschlüssel A verwenden.)



Allen Key 	D Bolts x 2  M8X40mm
--	---

Step 7

Fix the slats ⑩ to the side support bar ,then assemble is finished,now please tighten all hardware and enjoy the bed.

(Befestigen Sie die Latten ⑩ an der seitlichen Stützstange ,dann ist die Montage abgeschlossen, jetzt ziehen Sie bitte alle Beschläge fest und genießen Sie das Bett.)

