
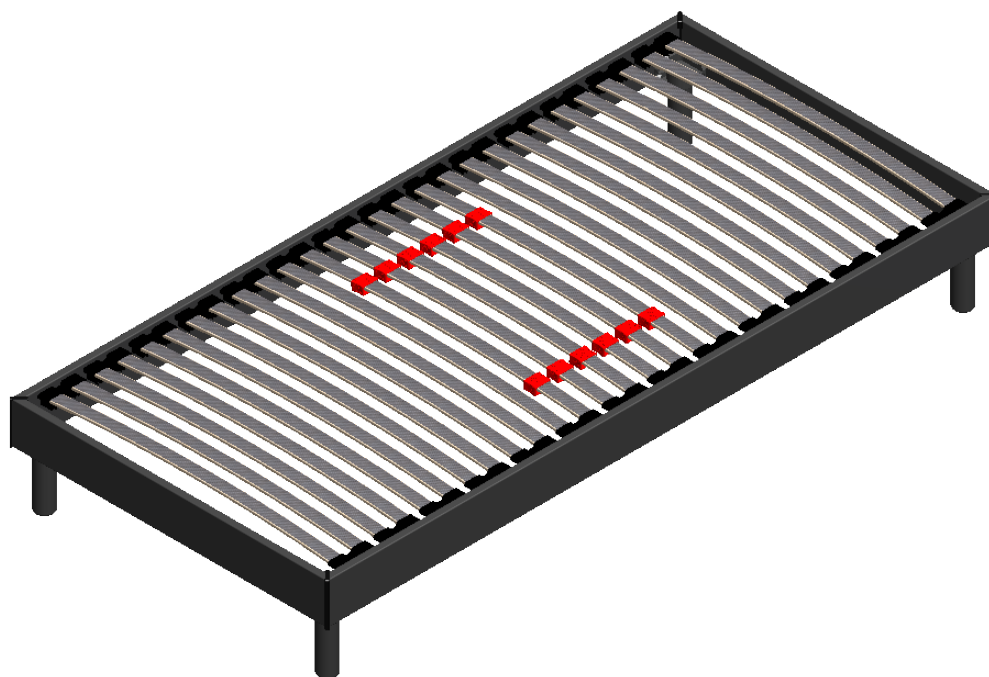
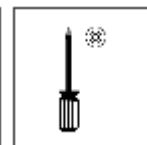
	ANTRACITE	90X190 / 90X200
		BETON	90X190 / 90X200

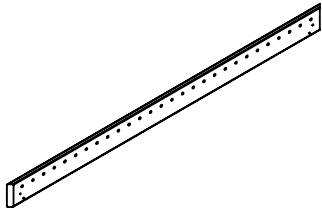
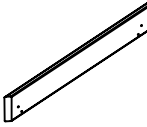



*HANDLEIDING.
NOTICE DE MONTAGE.
ASSEMBLING INSTRUCTIONS.
MONTAGEANLEITUNG.
ISTRUZIONI DI MONTAGGIO.
INSTRUCÇÕES DE MONTAGEM.
MANUAL DE MONTAJE.
INSTRUCJA MONTA ZU.*






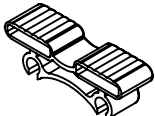







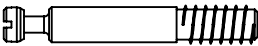


*ALVORENS DE MONTAGE TE STARTEN, GELIEVE DE HANDLEIDING TE VOLGEN.
AVANT DE COMMENCER, SE REPORTER AUX CONSEILS DE MONTAGE En ANNEXE.
BEFORE STARTING, REFER TO THE ASSEMBLING ADVICE ANNEX.
PRIMA DI COMMINCIARE, LEGGERE I CONSIGLI DI MONTAGGIO.
VOR DIE MONTAGE, BITTE BEILIEGENDE ANWEISUNGEN FOLGEN.
ANTES DE LA INSTALACIÓN, POR FAVOR SIGA LAS INSTRUCCIONES ADJUNTO.
ANTES DE EMPEZAR CONSULTE LOS CONSEJOS PARA EL MONTAJE.
PREZED ROZPOCZECIEM ZAPOZNAC SIE Z ZALACZONA INSTRUKCJA MONTAZU.*

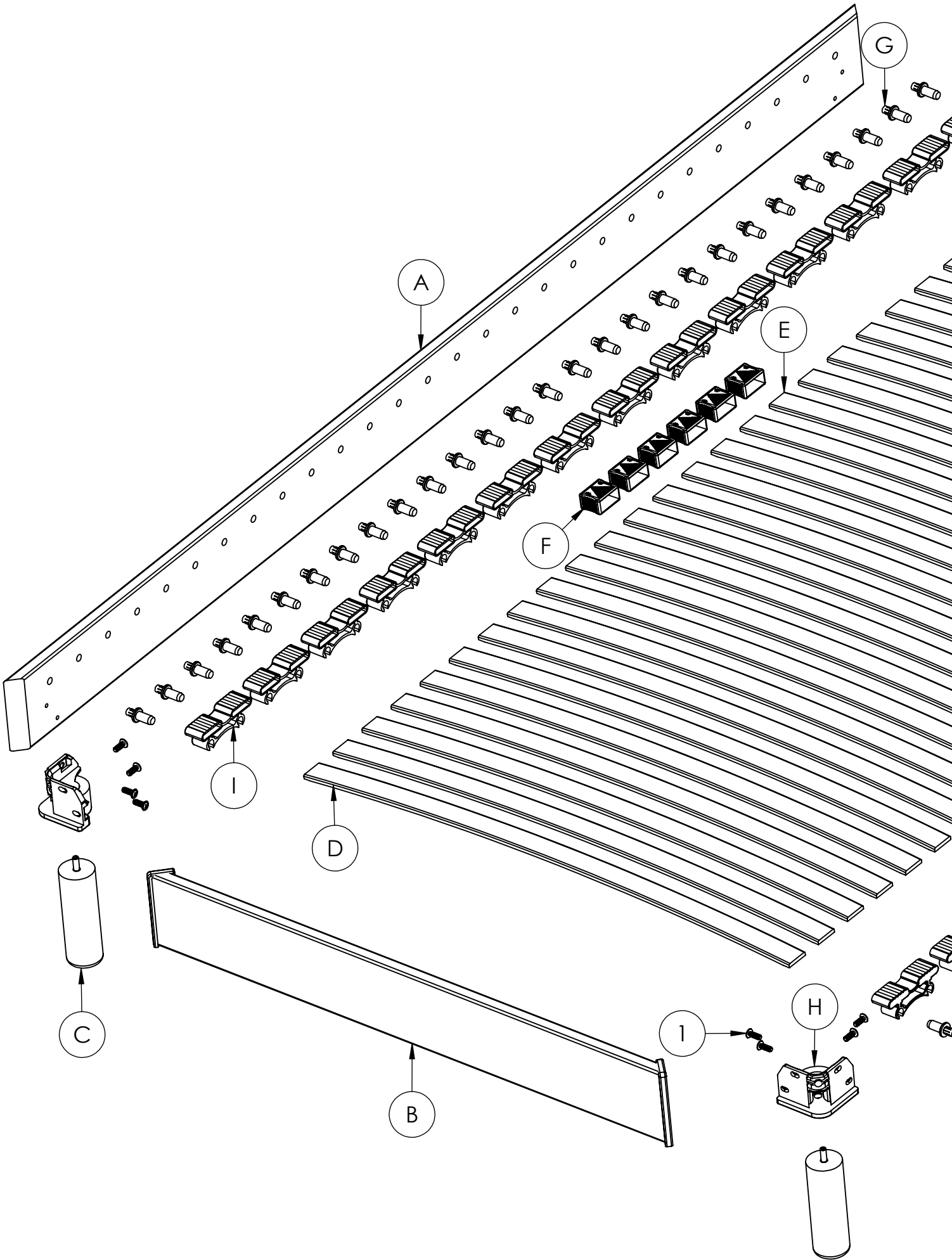
K06

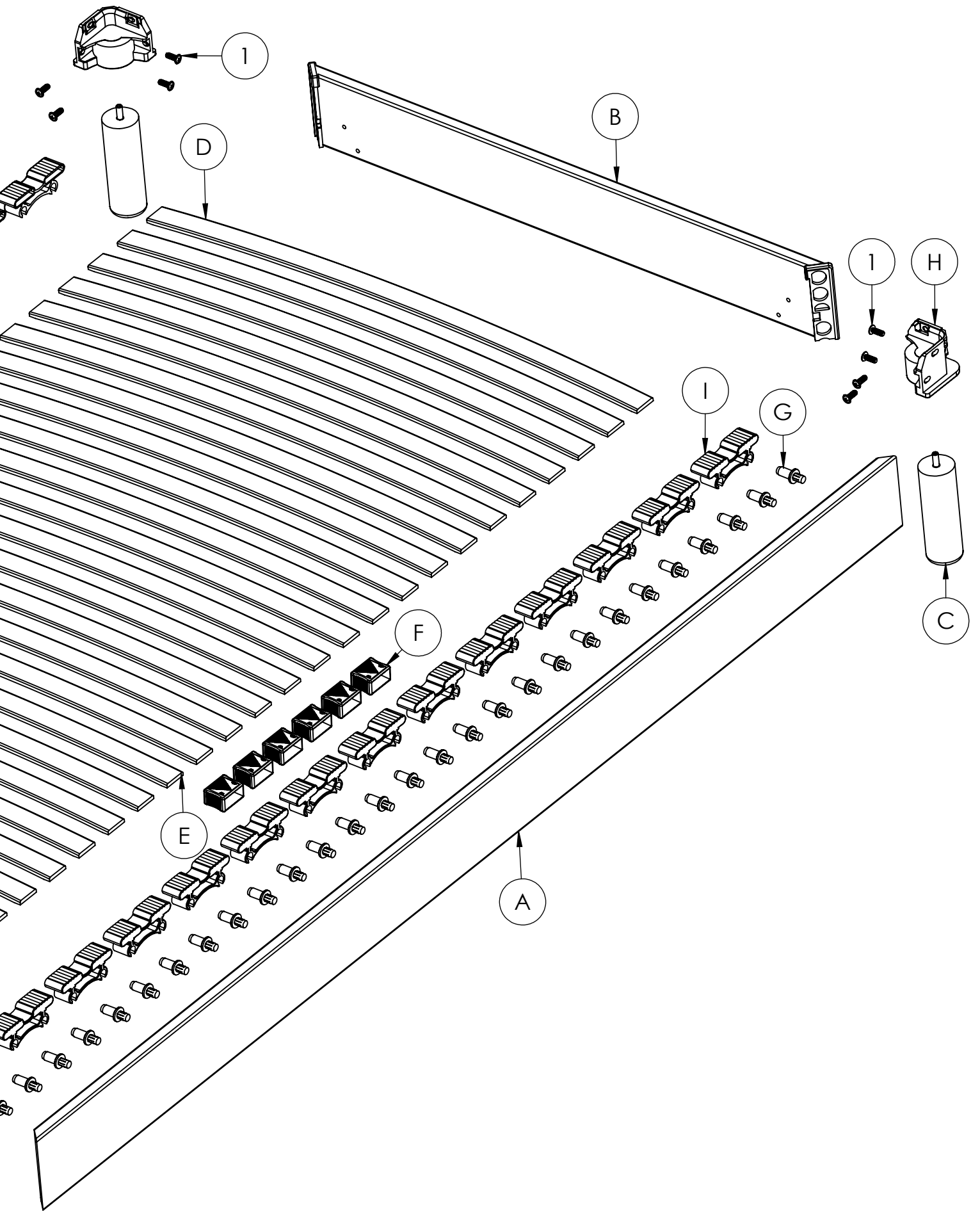


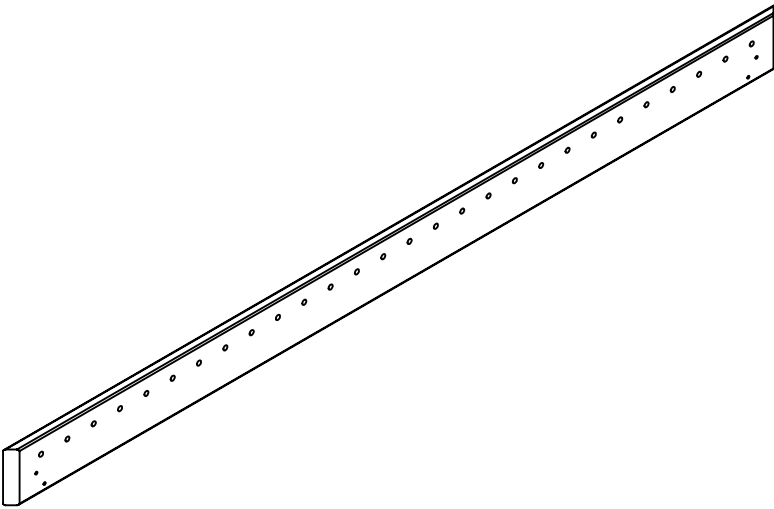
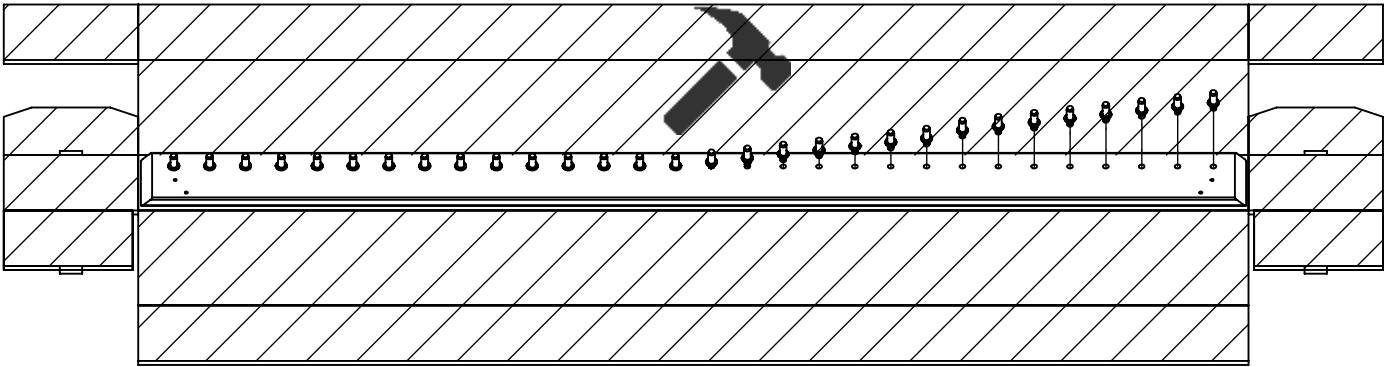
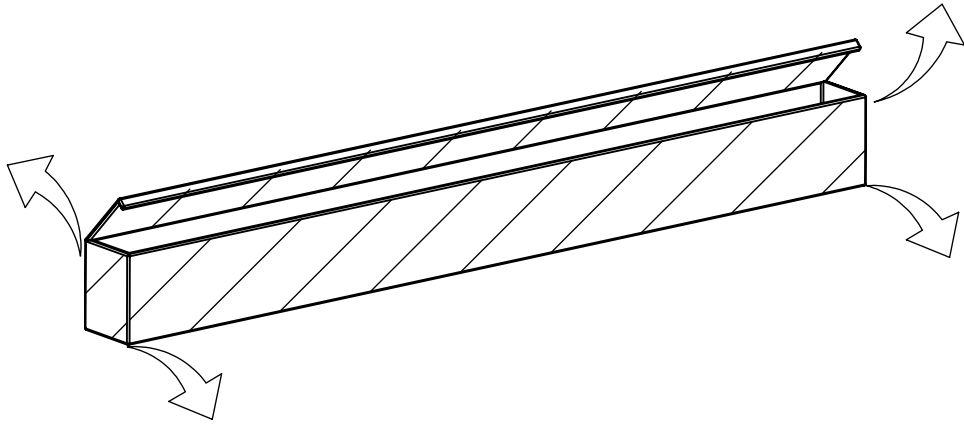
90X190										
		REF.	ART.	PCS.	REF.	ART.	PCS.	REF.	ART.	PCS.
	ANTRACITE	A	20.301.000.538	2x	B	20.310.000.356	2x	C	20.102.000.369	4x
90X200										
	ANTRACITE	A	20.301.000.540	2x	B	20.310.000.356	2x	C	20.102.000.369	4x

REF.	ILL.	ART.	PCS.
D		20.401.000.469	28x
E		20.401.001.710	6x
F		10.009.000.030	12x
G		10.002.000.003	60x
H		10.011.000.242	4x
I		10.001.000.394	30x

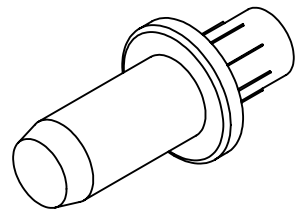
REF.	ILL.	ART.	PCS.
1	 	20.102.000.384	16x
2	 		4x
3	 		4x
4	 		4x





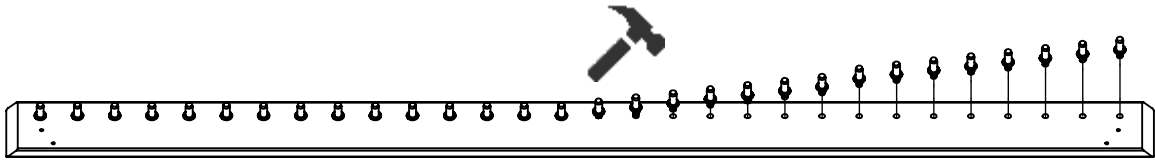


REF. A	2x
--------	----

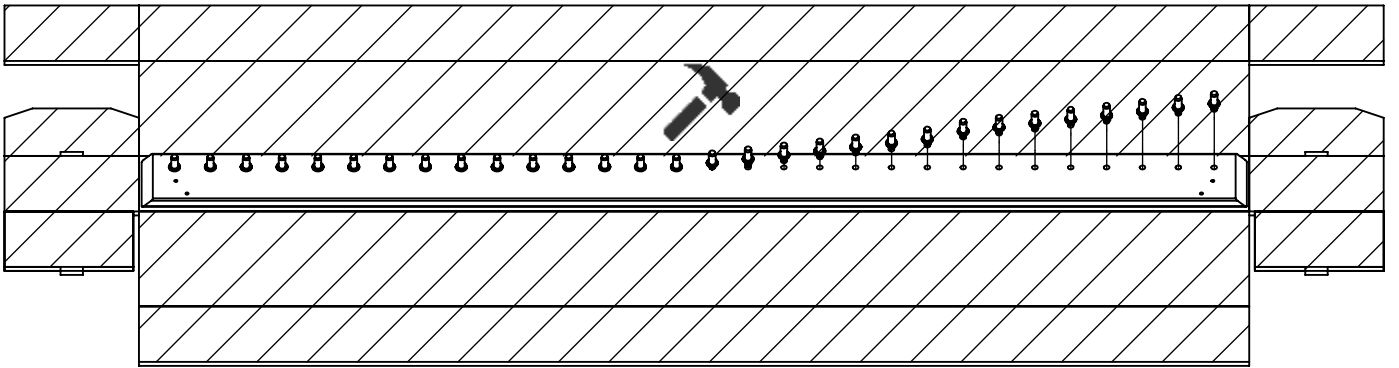


REF. G	56x
--------	-----

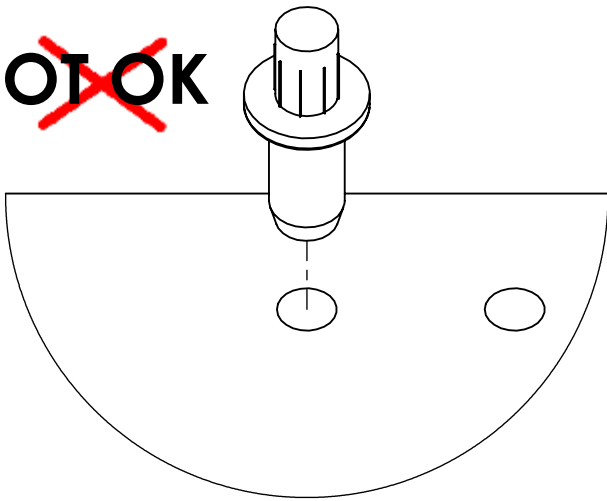
~~NOT OK~~



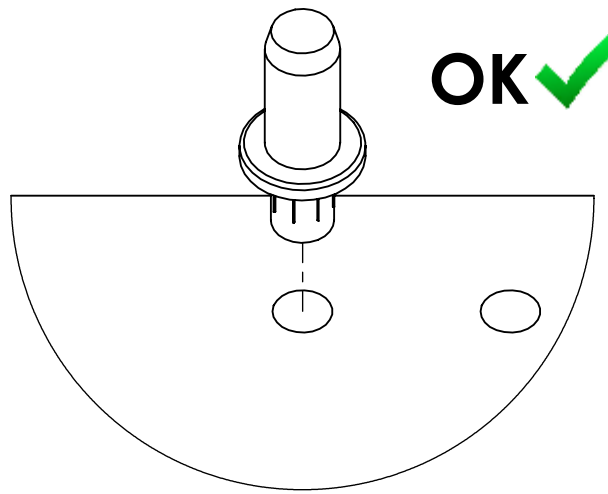
OK ✓



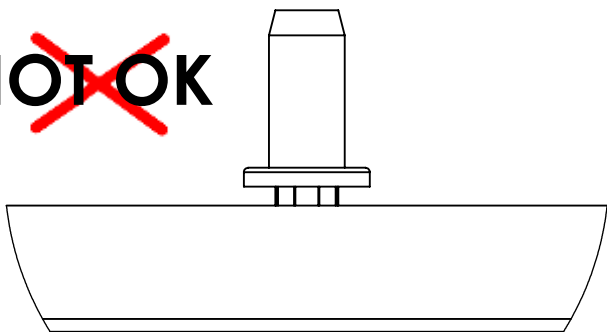
~~NOT OK~~



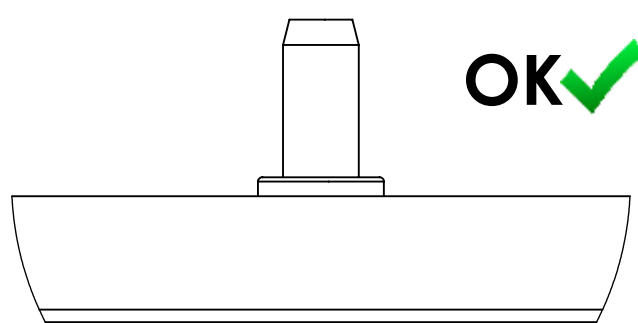
OK ✓

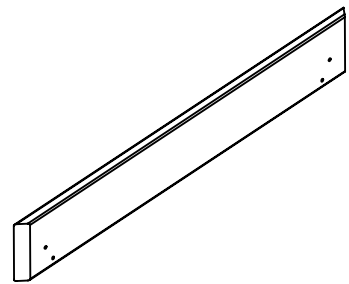
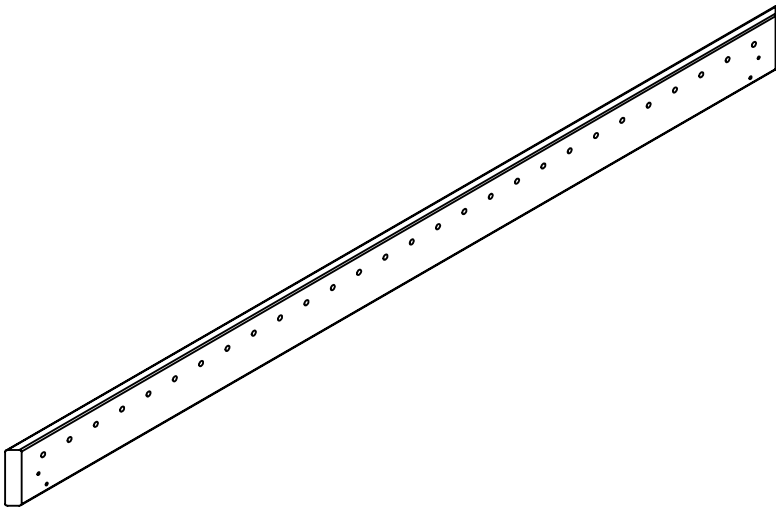
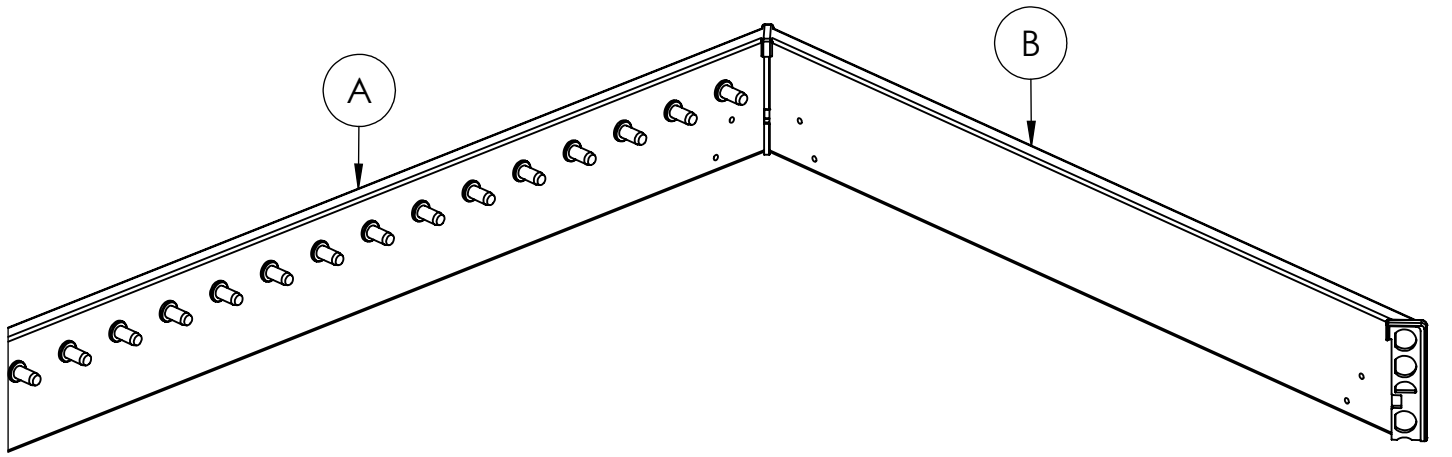
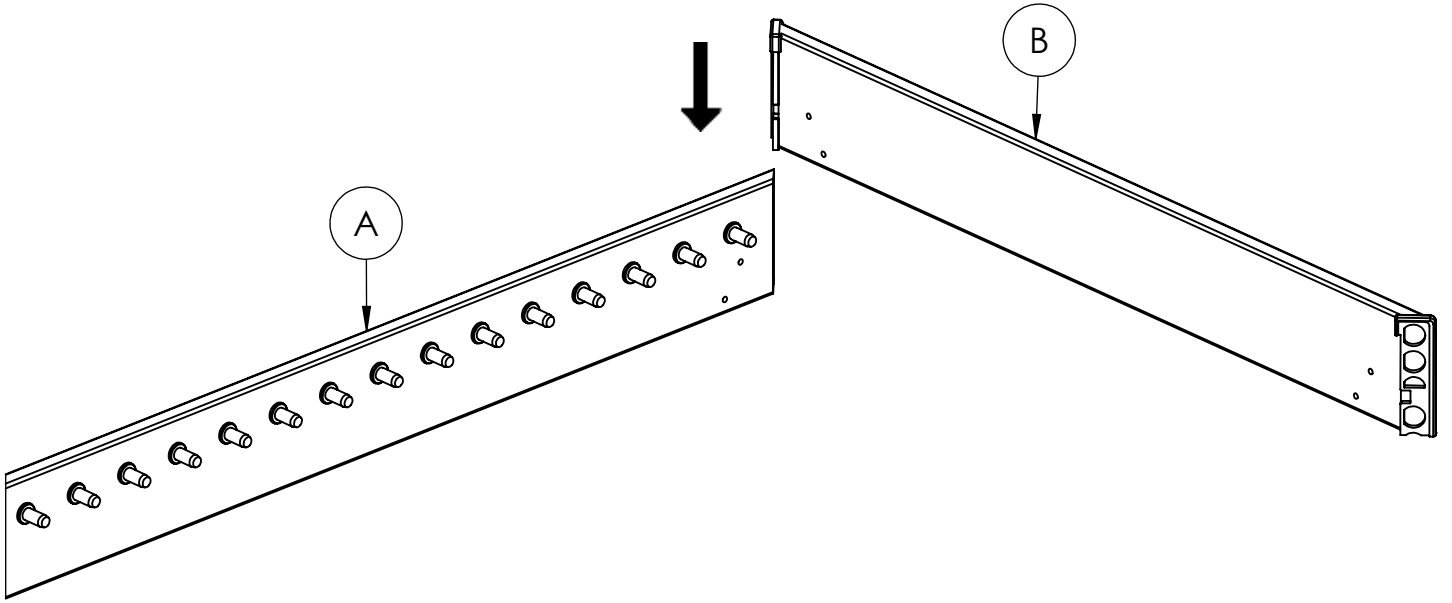


~~NOT OK~~



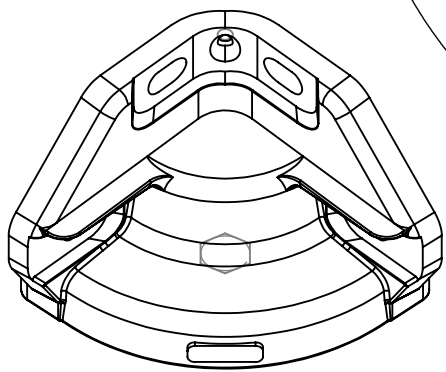
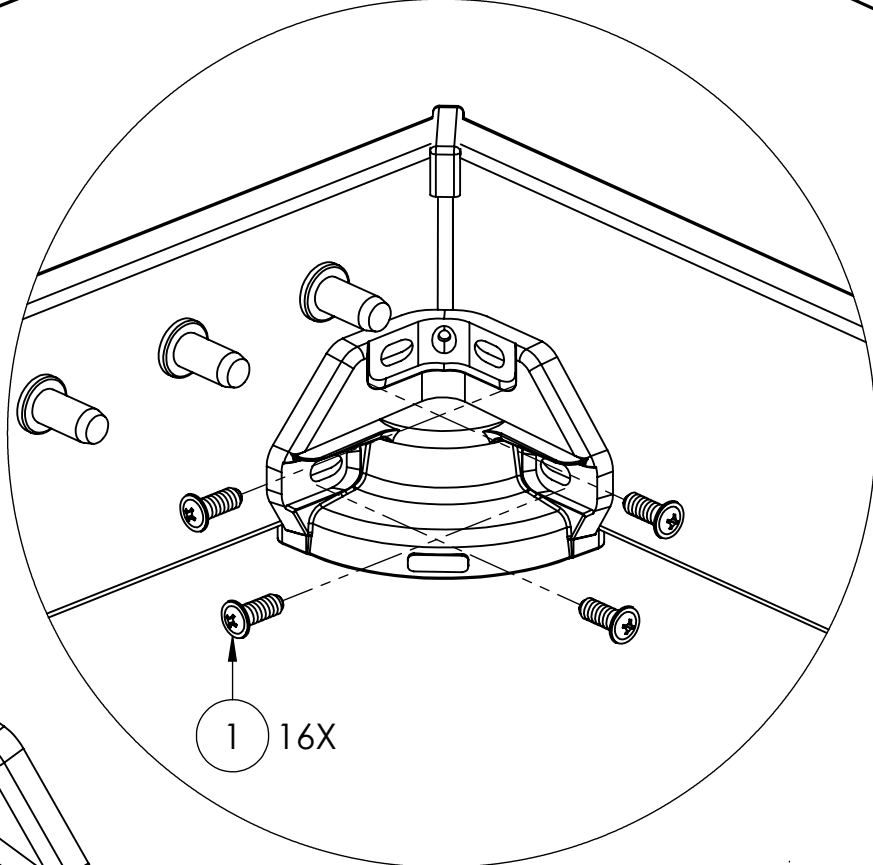
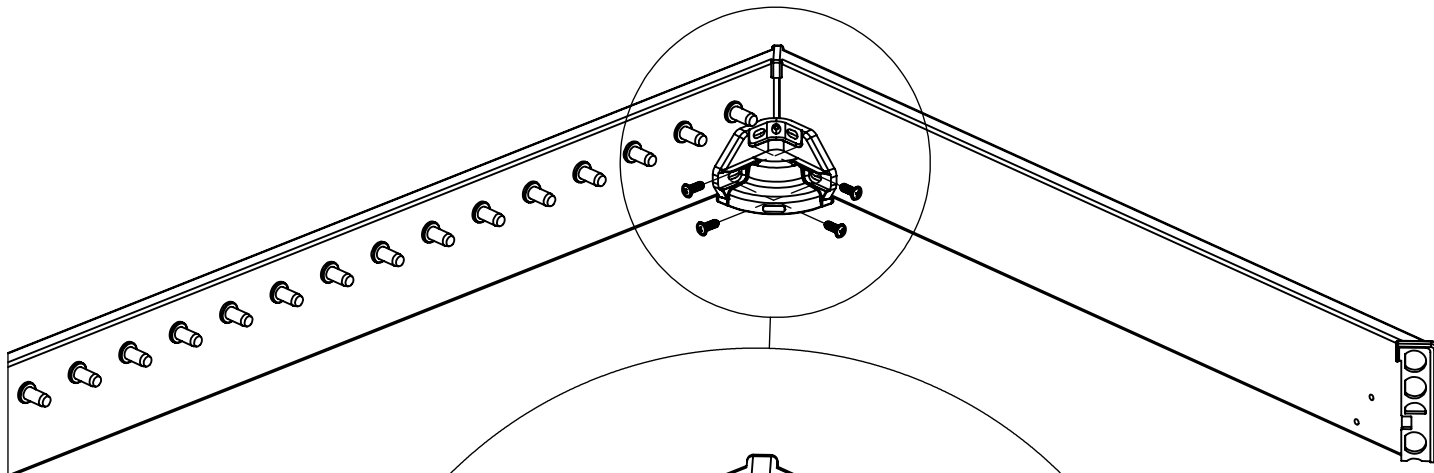
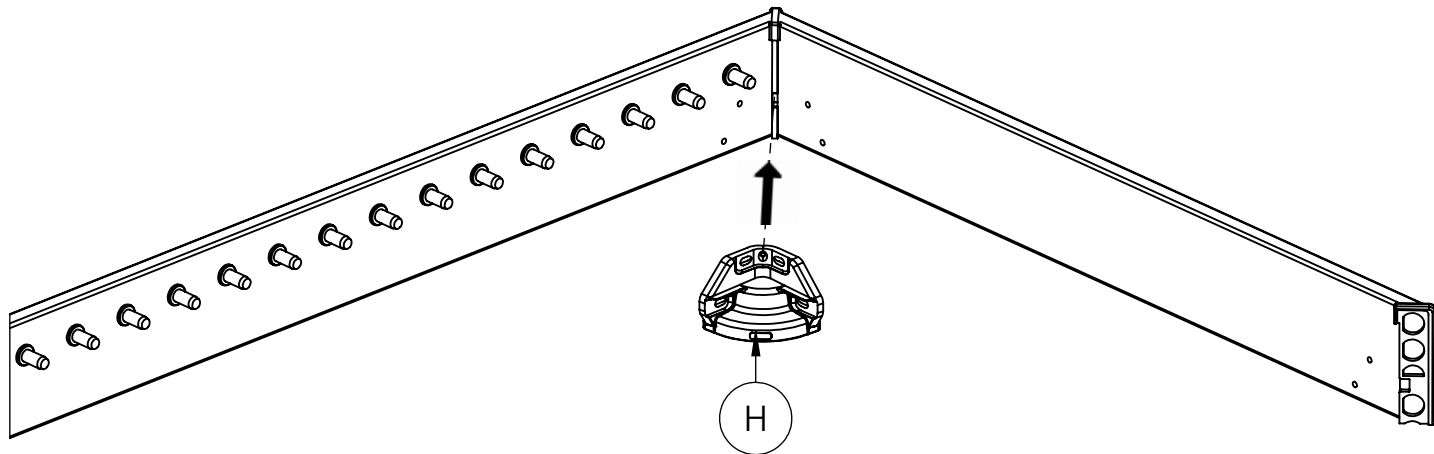
OK ✓



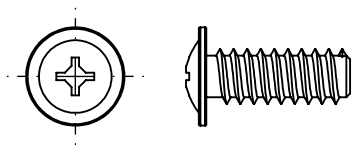


REF. A	2x
--------	----

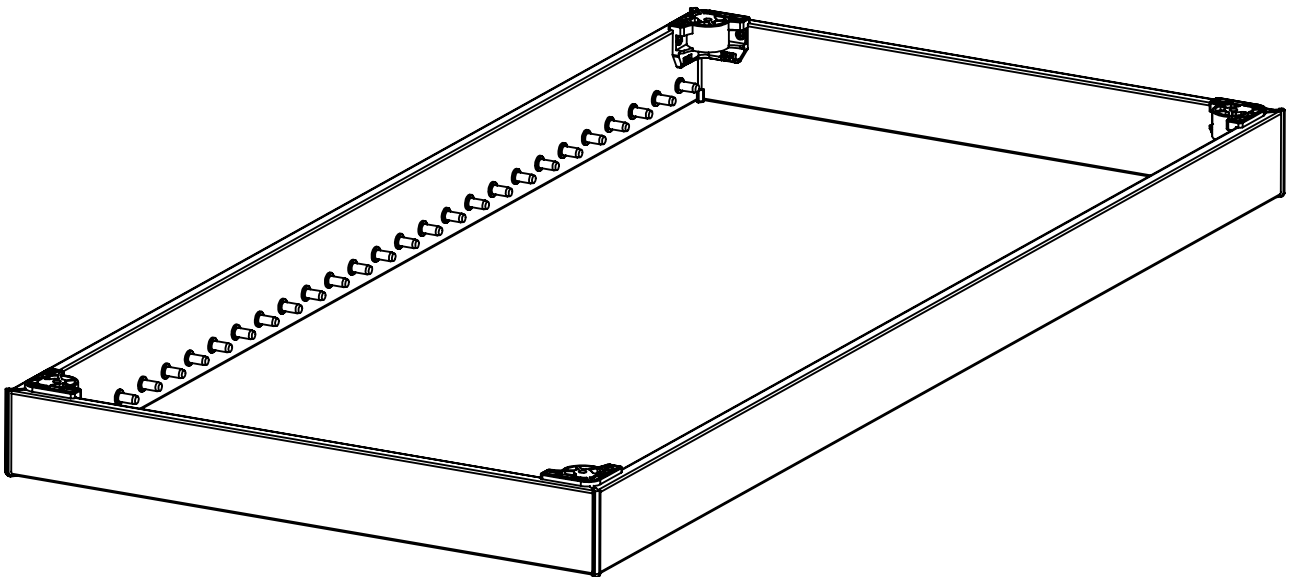
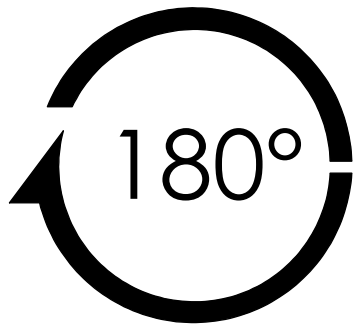
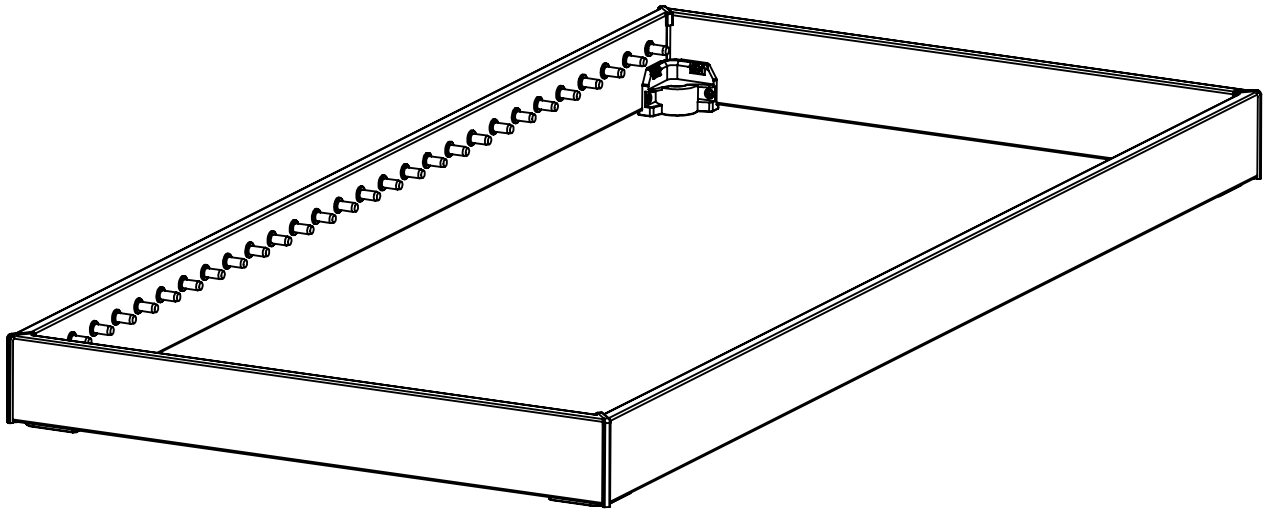
REF. B	2X
--------	----

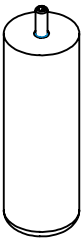
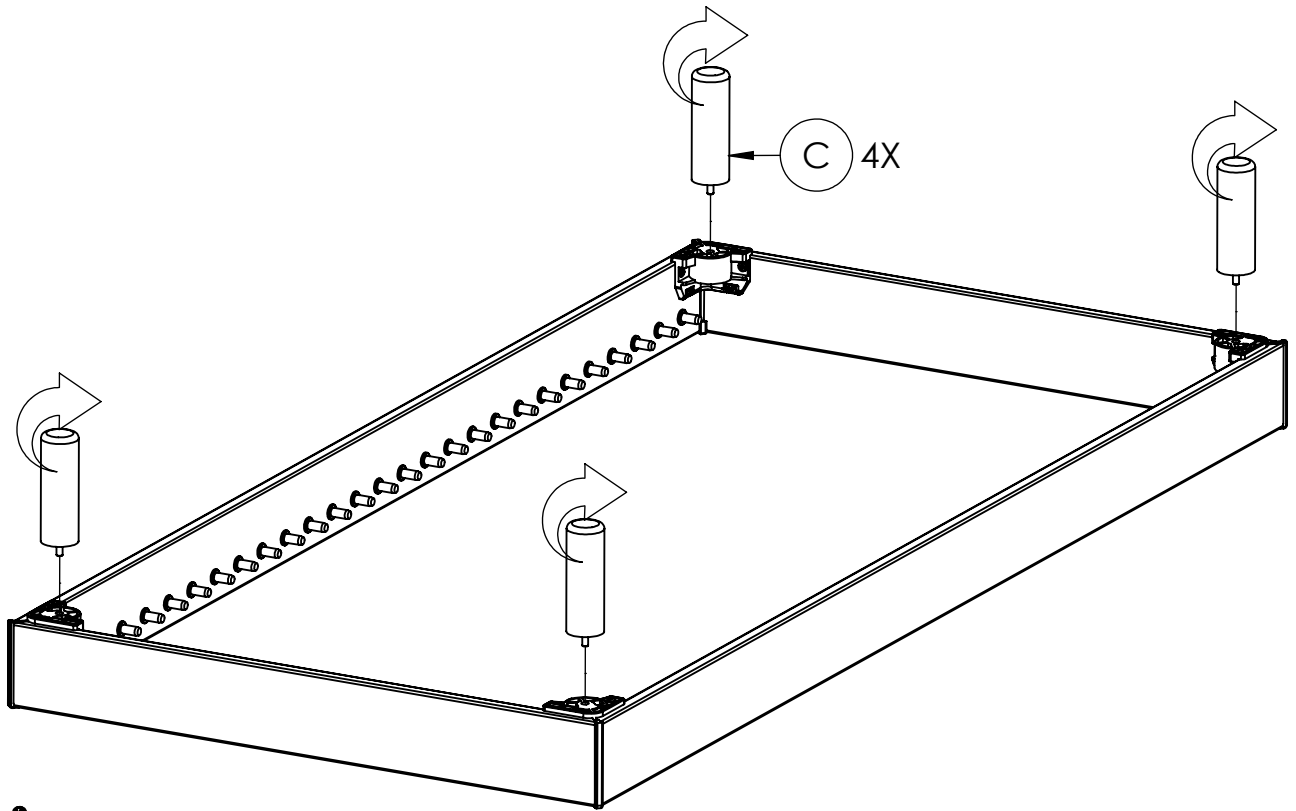


REF. H 4x

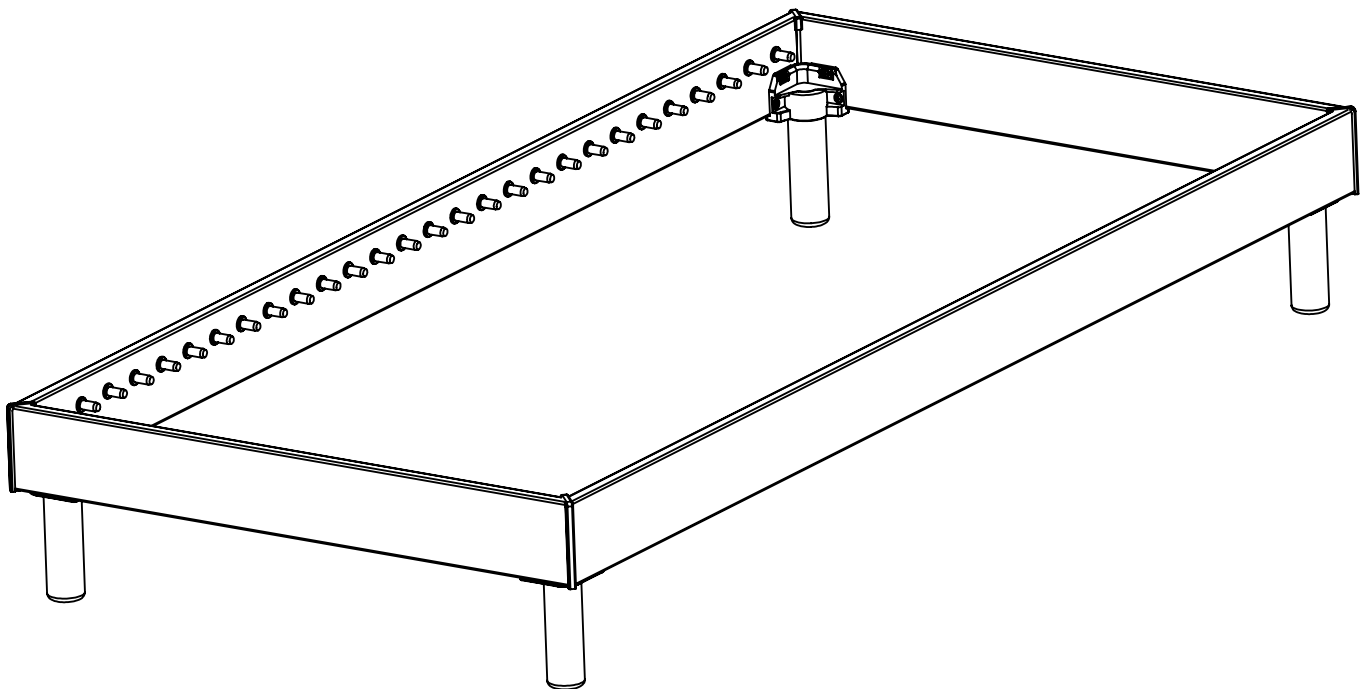
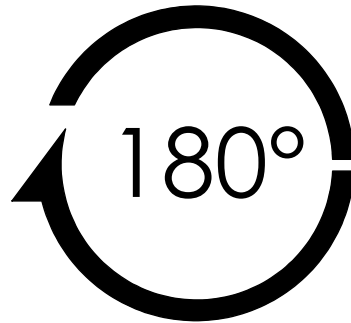


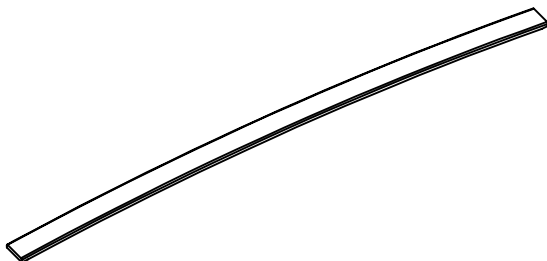
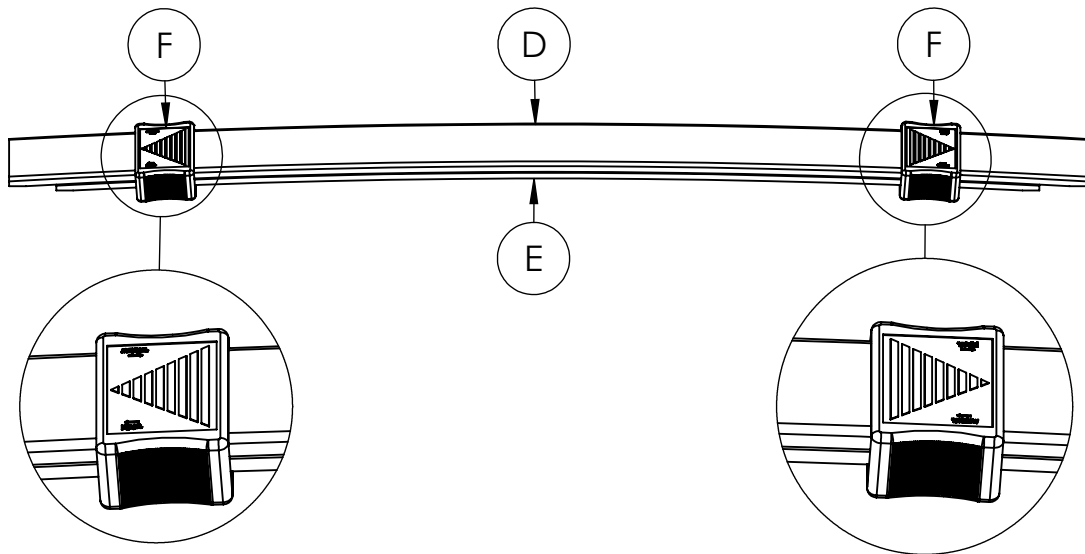
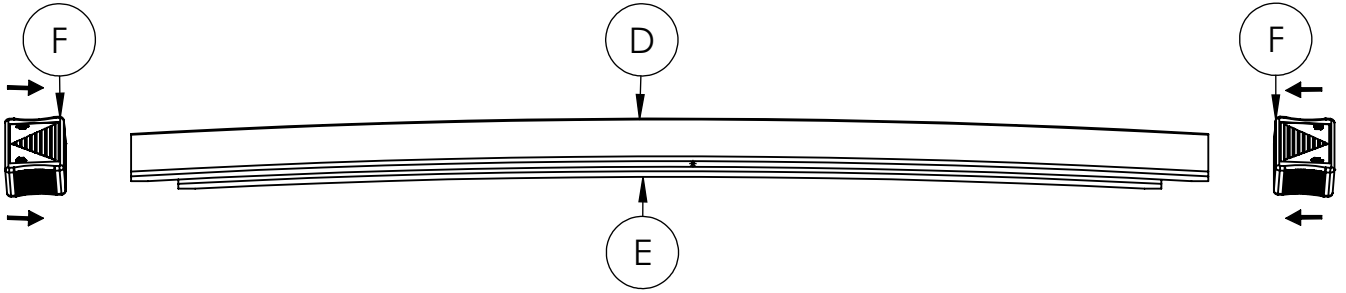
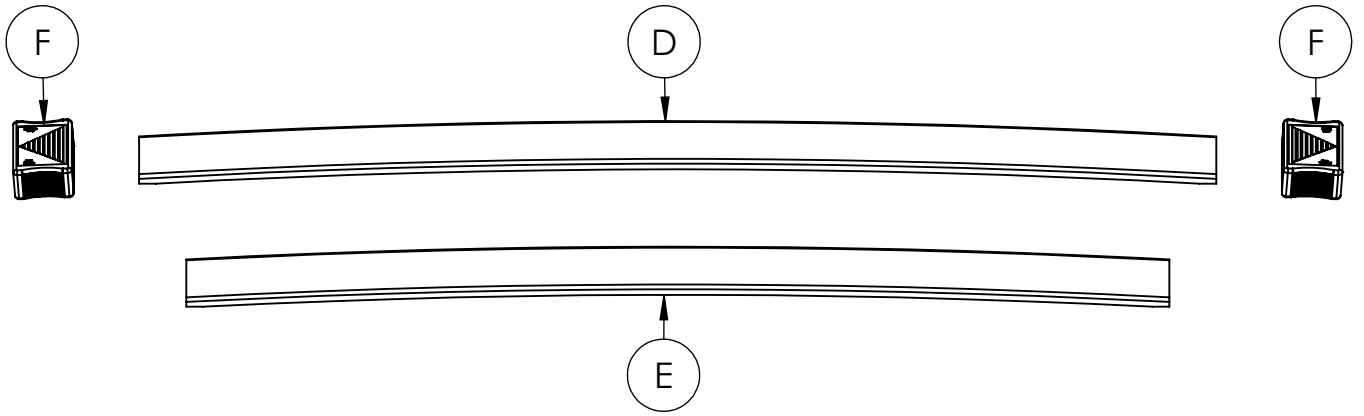
REF. 1 16x



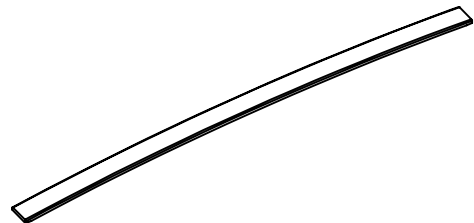


REF. C 4x

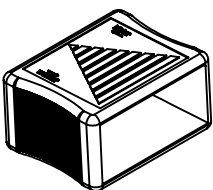




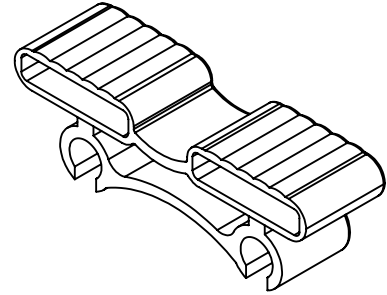
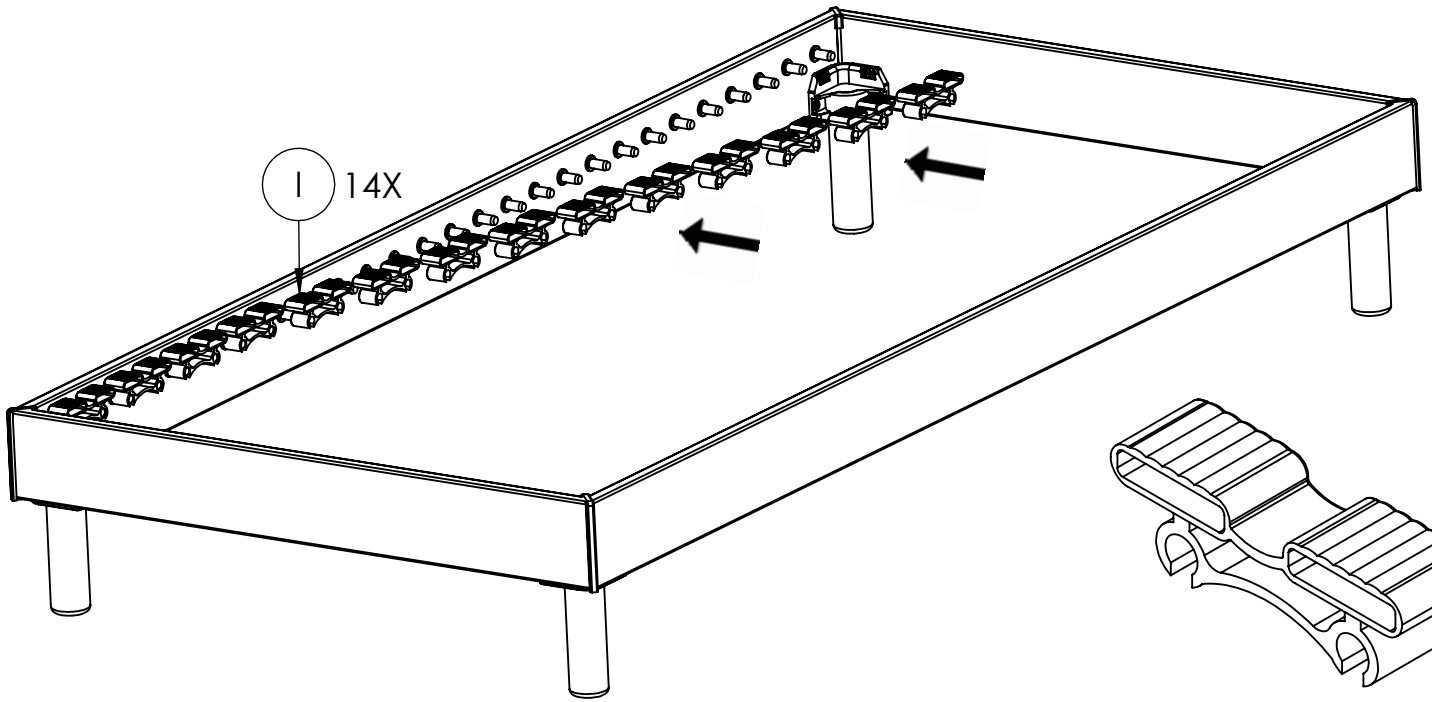
REF. D 6x



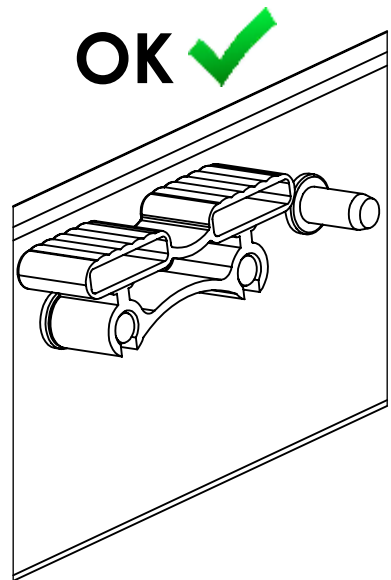
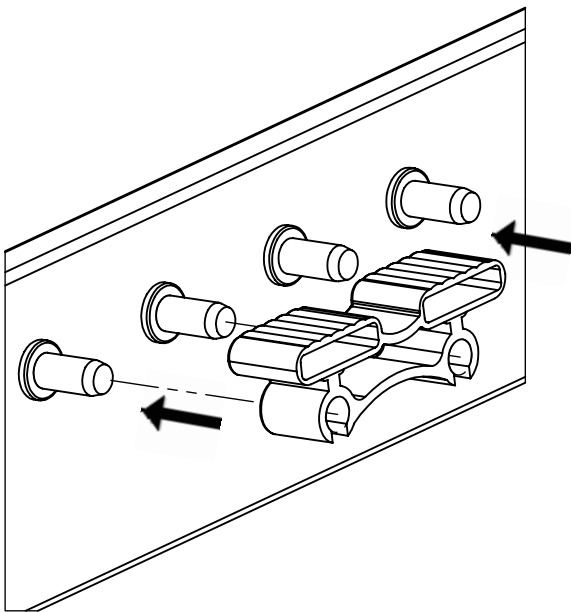
REF. E 6x



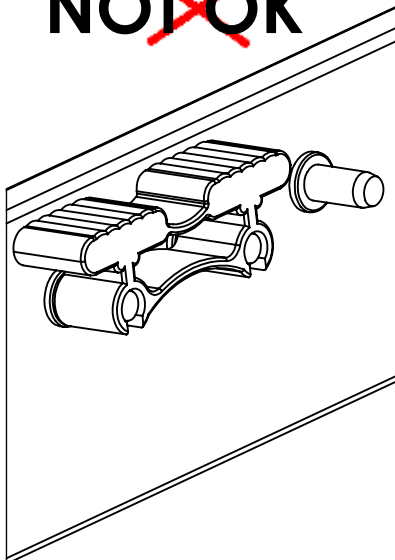
REF. F 12x



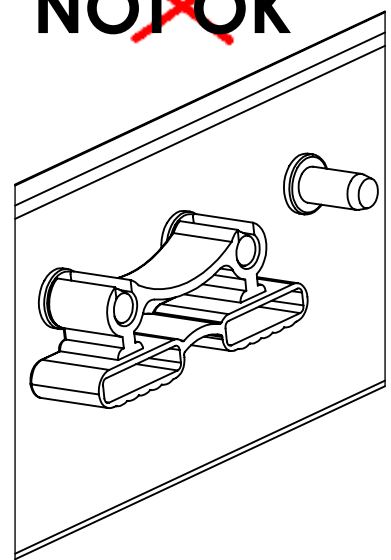
REF. I 14x

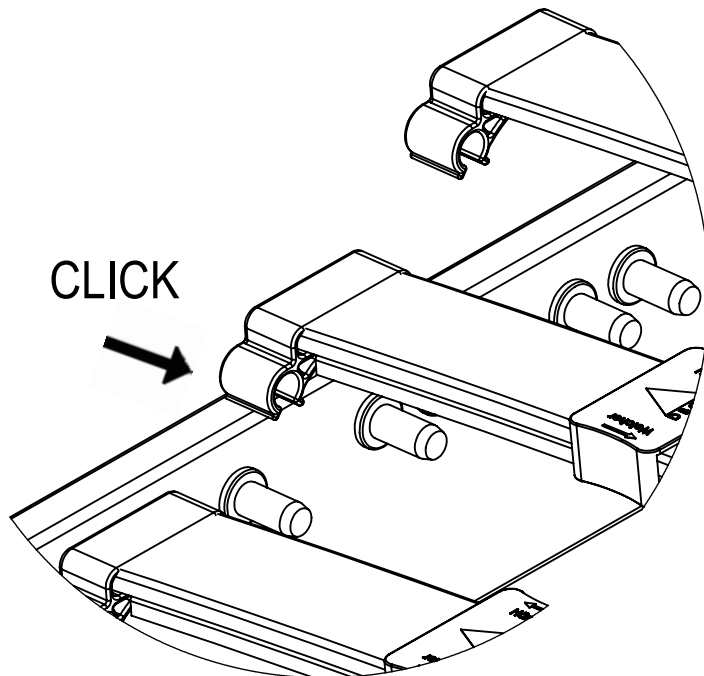
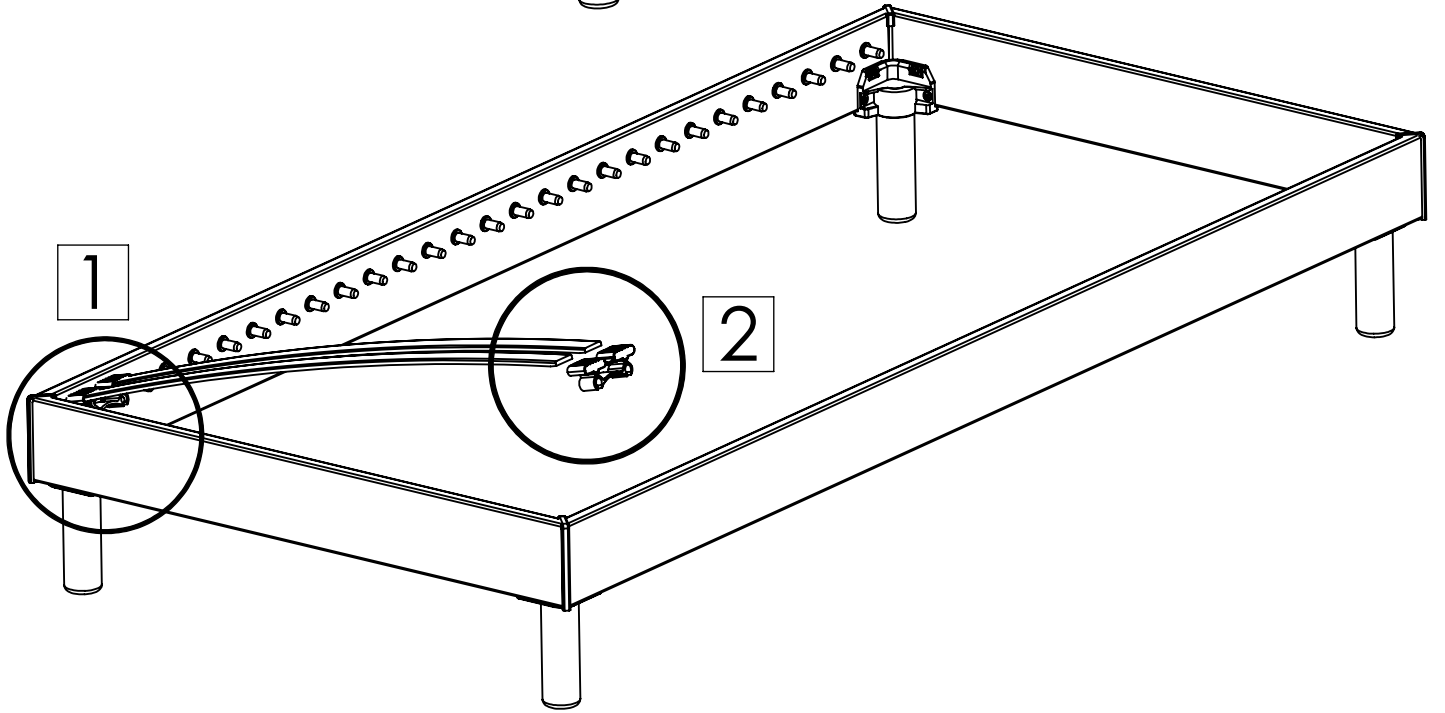
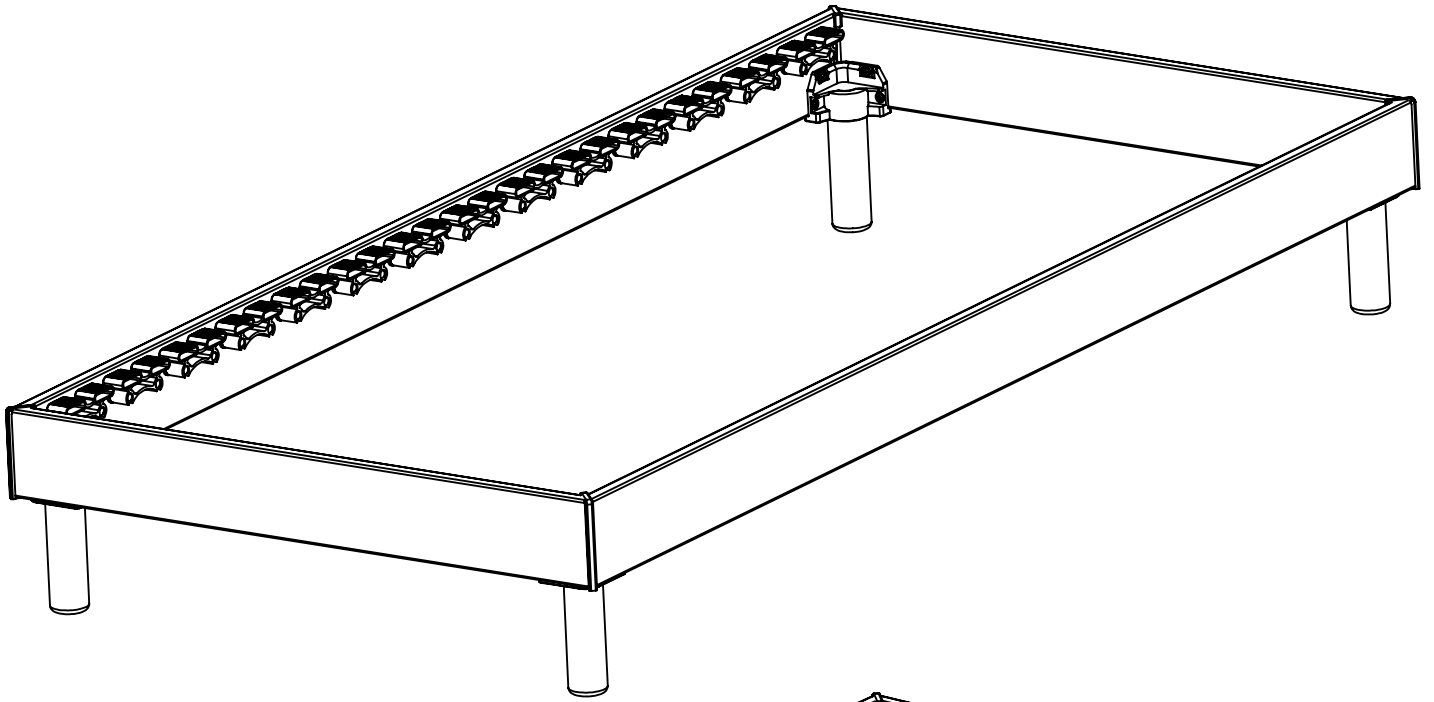


~~NOT OK~~

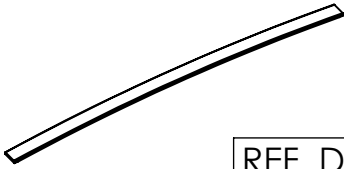
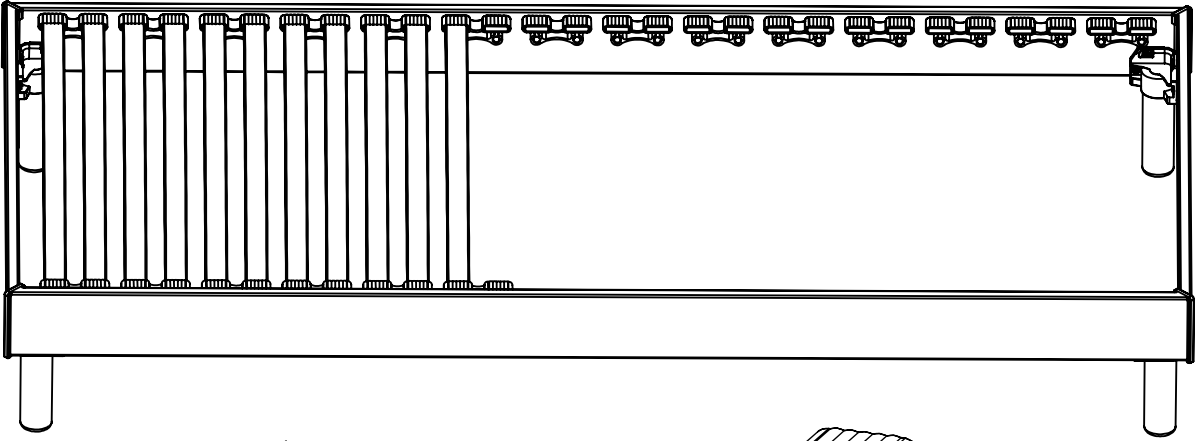


~~NOT OK~~

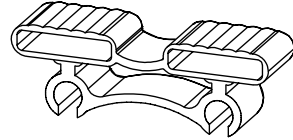




1

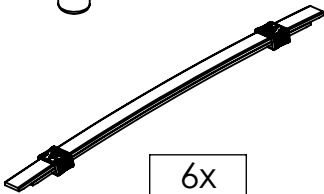
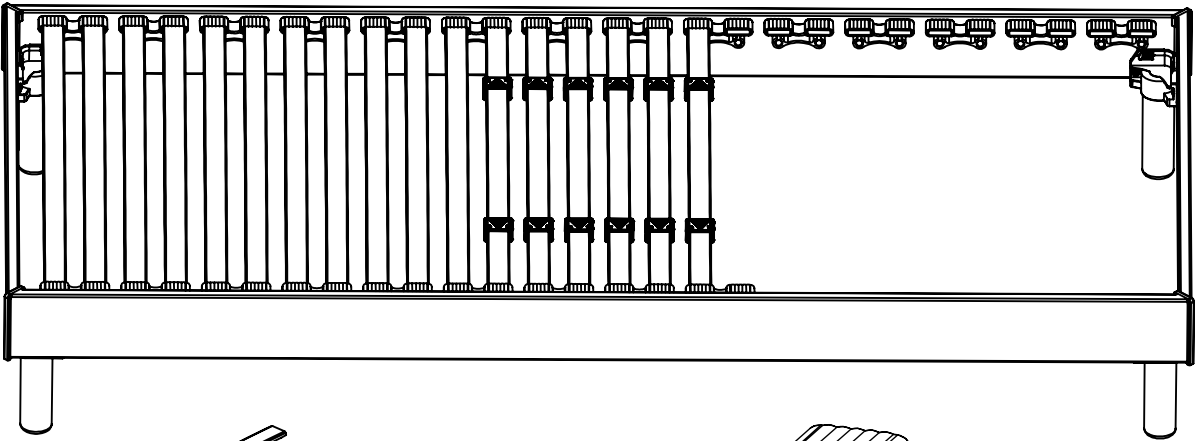


REF. D 11x

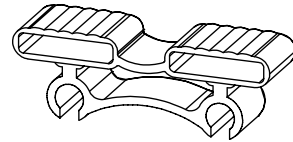


REF. I 6x

2

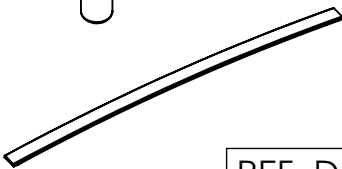
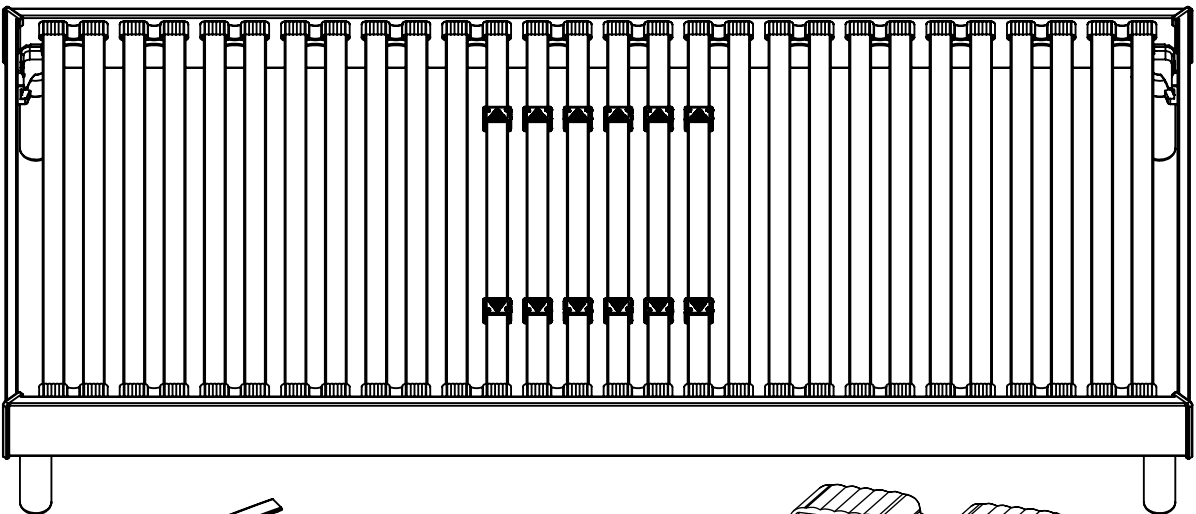


6x

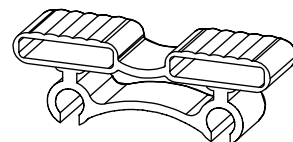


REF. I 3x

3



REF. D 11x



REF. I 5x

