



- 7 (a). Threaded Garden Hose Connection (USA only) or
- 8 (b). Snap-fit Garden Hose Connection (Australia/Europe only)

HOW TO CONFIGURE YOUR SUPA-VAC

Configuration for cleaning

Remove Venturi Pump attachment and fit the Filter Sock

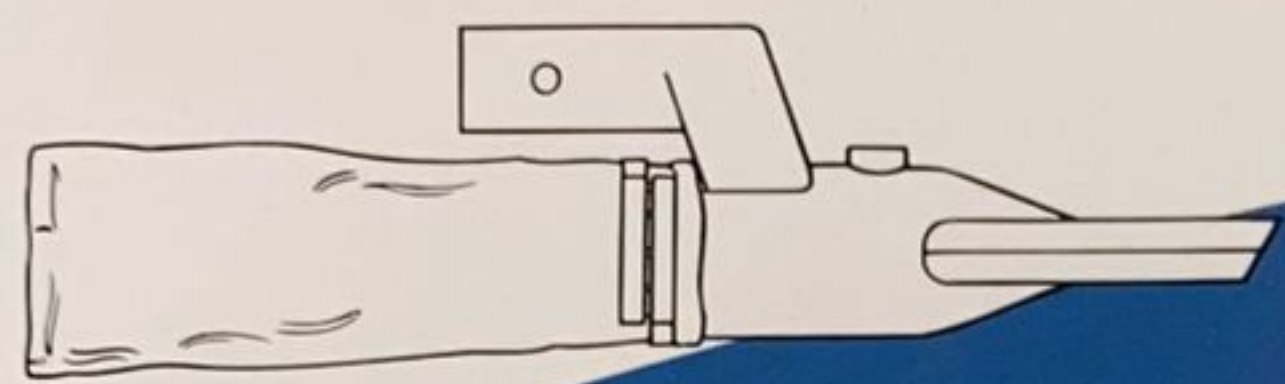
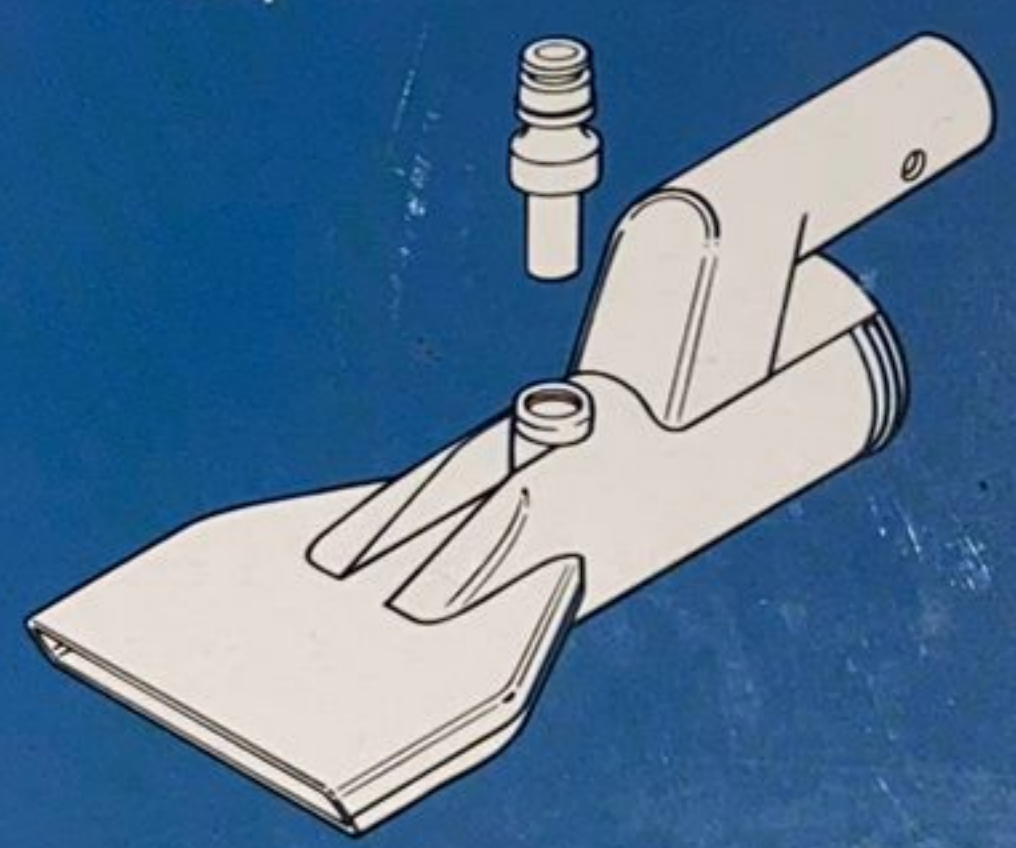


Figure 1

Snap-fit Connection (a)



Configuration for emptying

Remove Filter Sock and fit Venturi Pump attachment

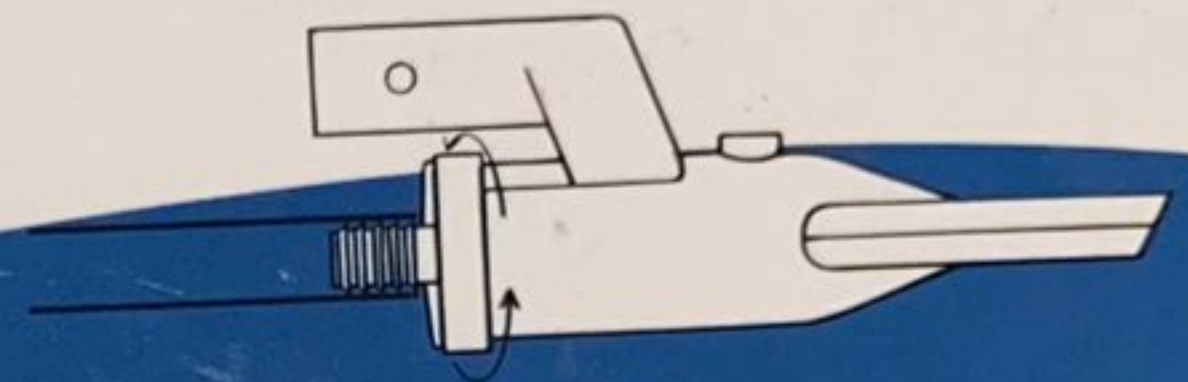


Figure 2

Threaded Connection (b)

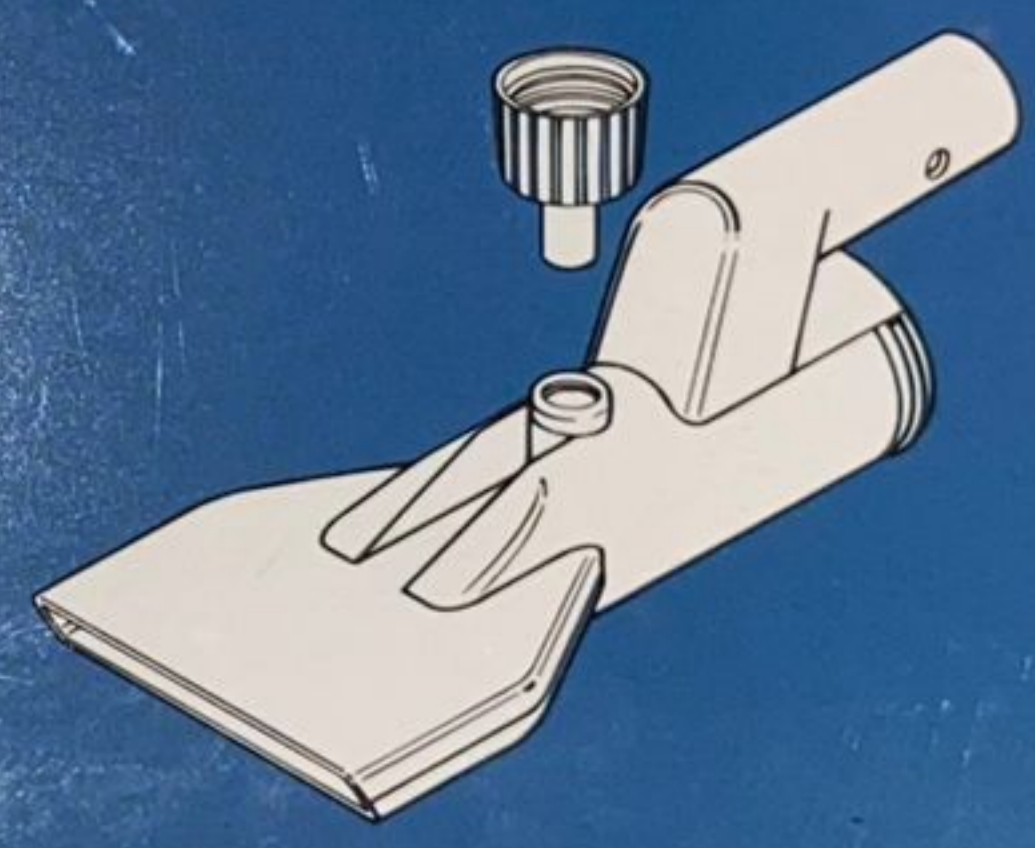


Figure 1

Remove Venturi Pump attachment and fit the Filter Sock to the rear of the **Life Supa-Vac** with the Retaining Clip provided. Connect your garden hose to the **Life Supa-Vac**, turn on the tap/faucet and the Venturi action will quickly vacuum the dirty waste material into the attached Filter Sock. An average size spa, or hot tub can be completely cleaned in a few minutes.

■ CSV610

■ CSV605



Figure 2

Life Supa-Vac provides a simple solution to the problem of how to empty any spa or hot tub which does not have a pump, filter or discharge equipment. It is also ideal for emptying spa pools which are not fitted with sufficient drainage equipment. Simply connect the Venturi Pump attachment to the rear of the **Supa-Vac** and fit Drainage Hose to the barbed fitting. Immerse the **Life Supa-Vac** below the water surface and turn on the tap/faucet. The water will be quickly discharged to your selected area via the Drainage Hose.

PoolSystems

Made in China under strict authority of Pool Systems Pty Ltd Brisbane Australia
www.lifespaproducts.com

