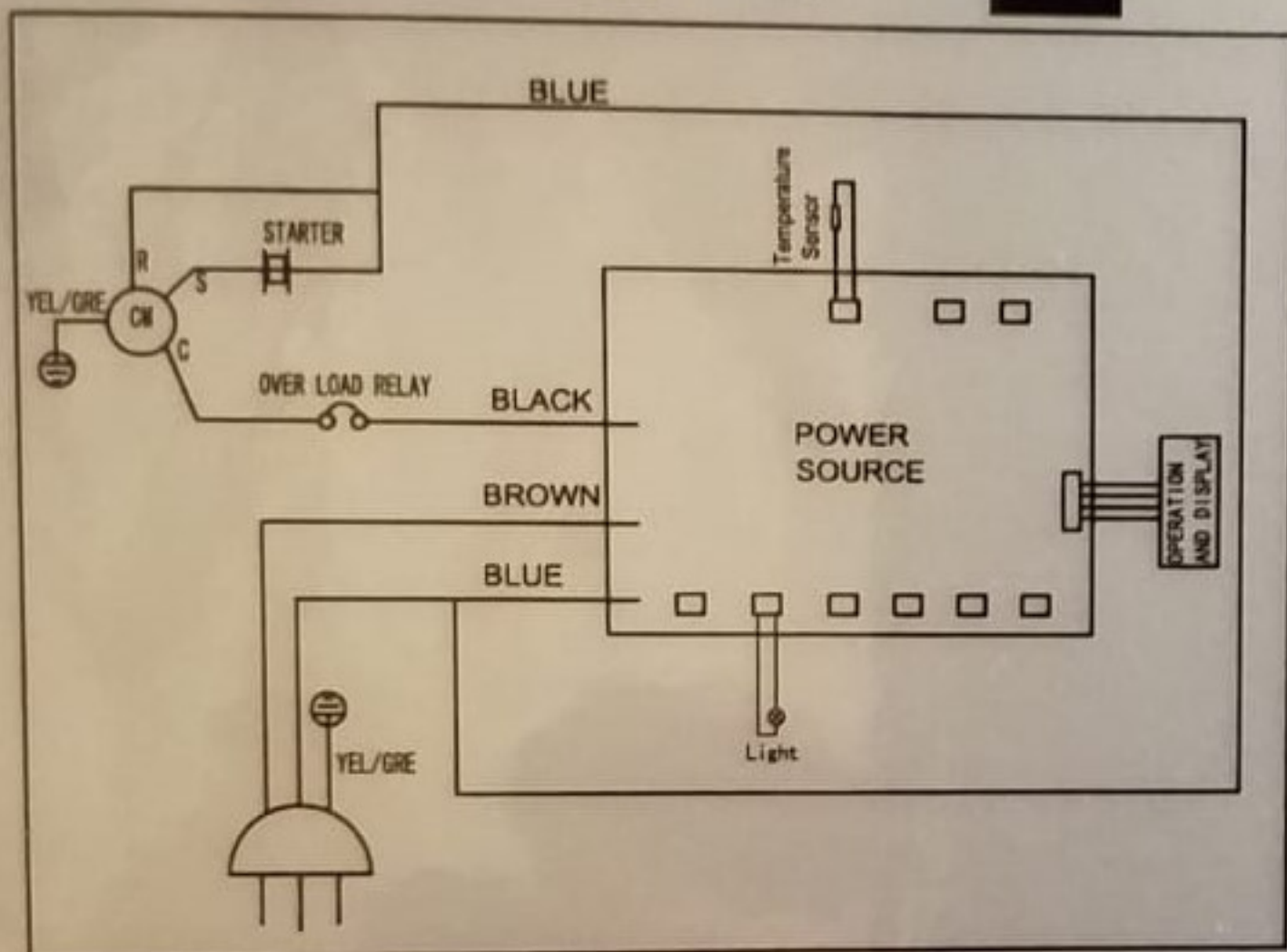




WINE COOLER



Model	B4312C
Temp.Zone	1
Climate	ST
Protect	I
Volume	38L
Gas	R600a/23g
Voltage/Frequency	220~240V/50Hz
Current	0.4A
Daily energy consumption AE	0.355kW.h/24h
Daily energy consumption E16°C	0.11kW.h/24h
Daily energy consumption E32°C	0.60kW.h/24h
Blowing agent	C ₅ H ₁₀

BODEGA43, Eindhoven, The Netherlands