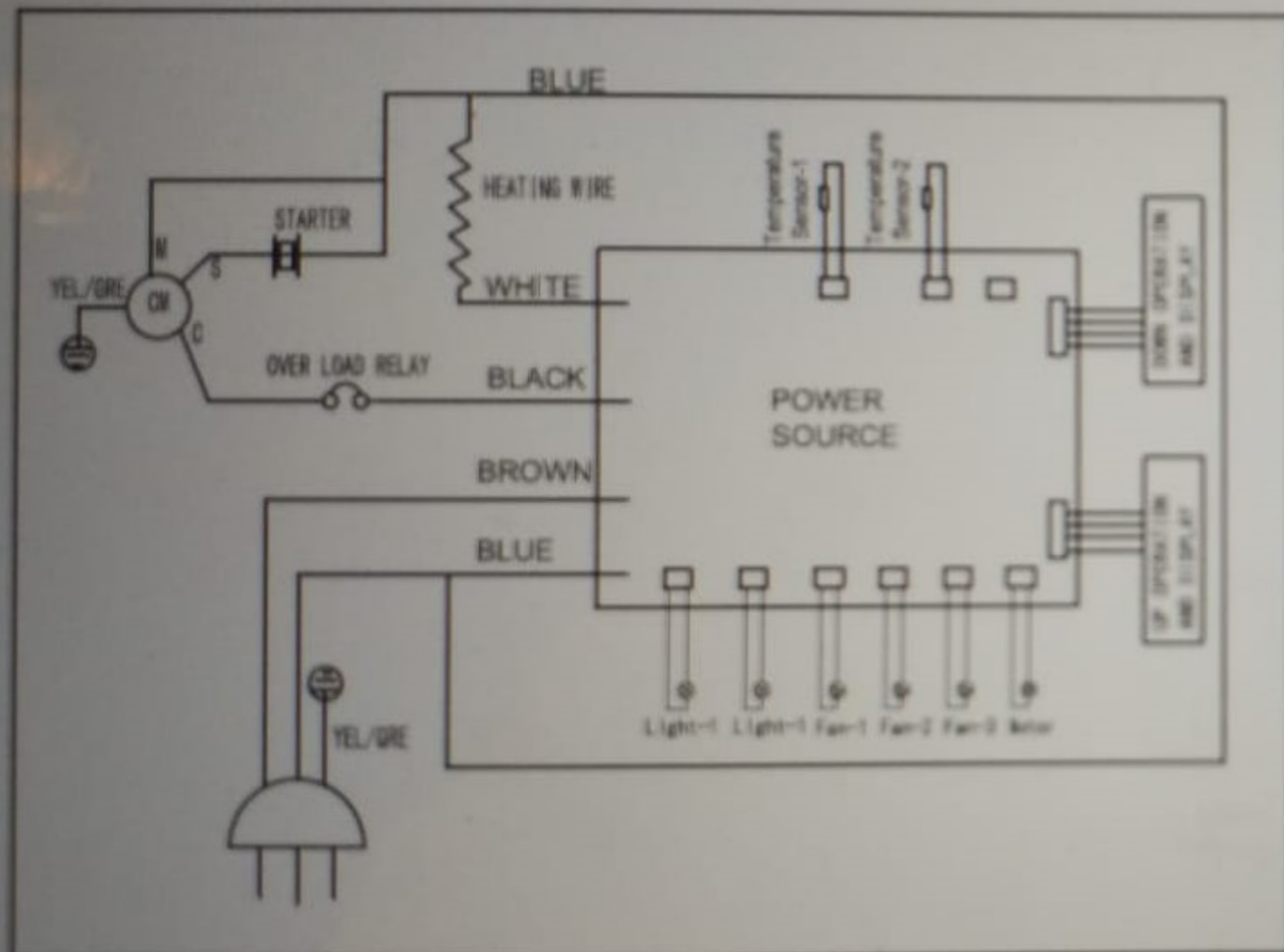




WINE COOLER



Model	B43180
Temp.Zone	2
Climat	ST
Protect	I
Volume	455L
Gas	R600a/50g
Voltage	220~240V/50Hz
current	0.35A
Daily energy consumption AE	0.503kW.h/24h
Daily energy consumption E16°C	0.178kW.h/24h
Daily energy consumption E32°C	0.828kW.h/24h
Blowing agent	C ₆ H ₁₀

BODEGA43, Eindhoven, The Netherlands