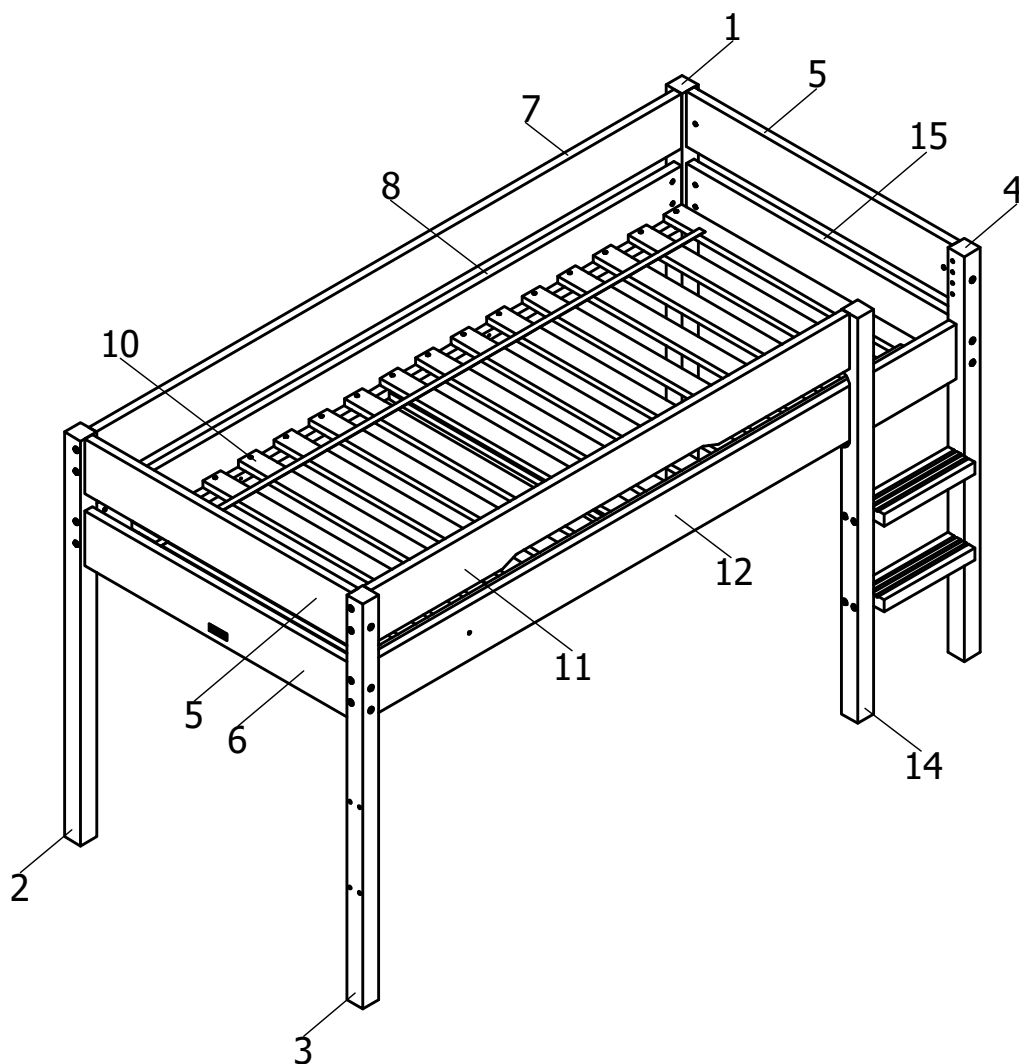


bopita®

ASSEMBLY INSTRUCTION
MONTAGE HANDLEIDING
MONTAGE ANLEITUNG
NOTICE DE MONTAGE
MANUAL DE MONTAJE

UK
NL
D
F
ESP

MODEL : LUCAS
TYPE : HALF HIGHSLEEPER
COLOUR : MATT BLACK/NATURAL
ART.CODE : 127232.19












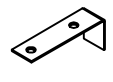
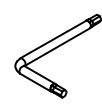
Distributor:

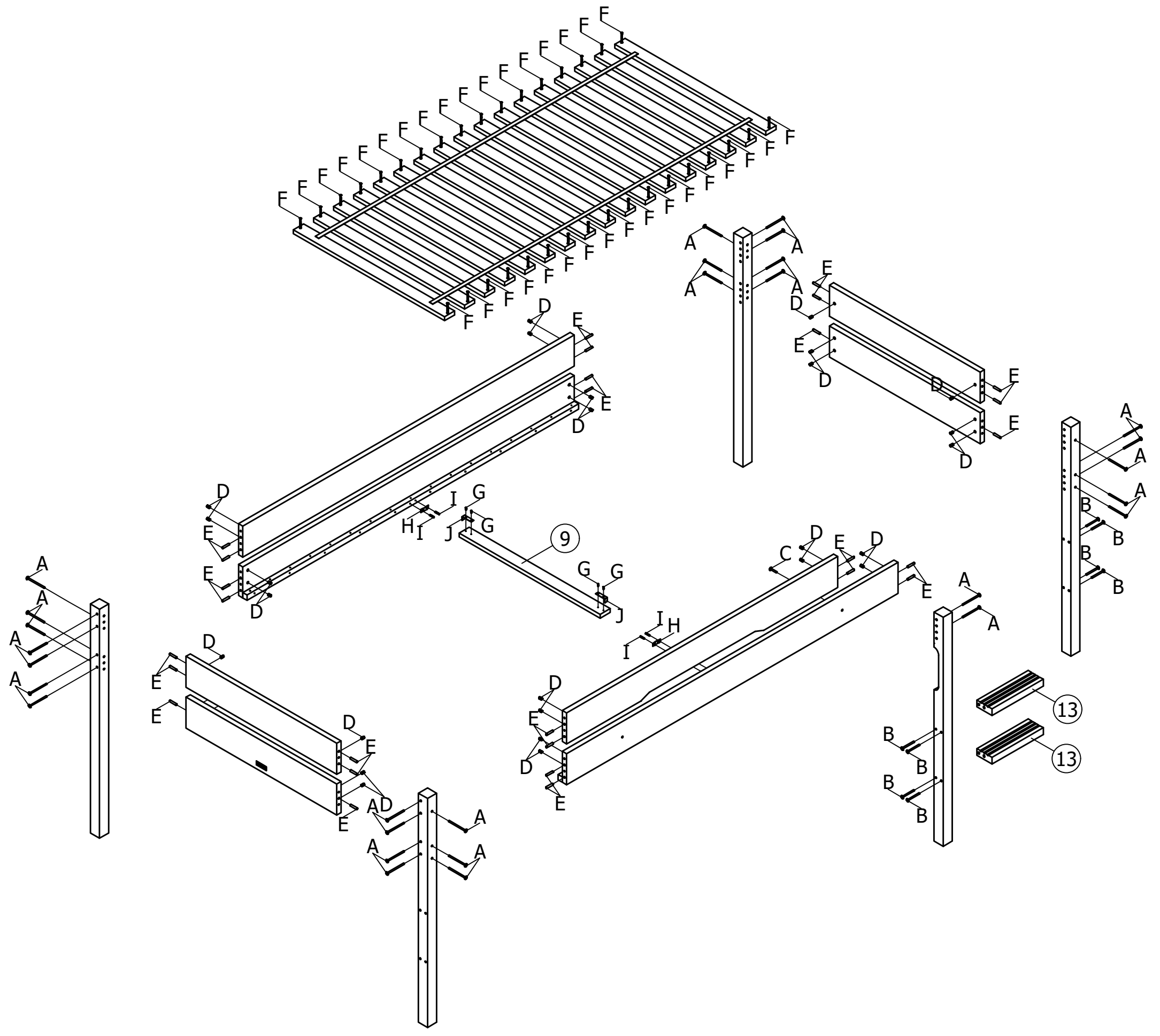
BOPITA
Energieweg 1
6662 NS Elst
The Netherlands

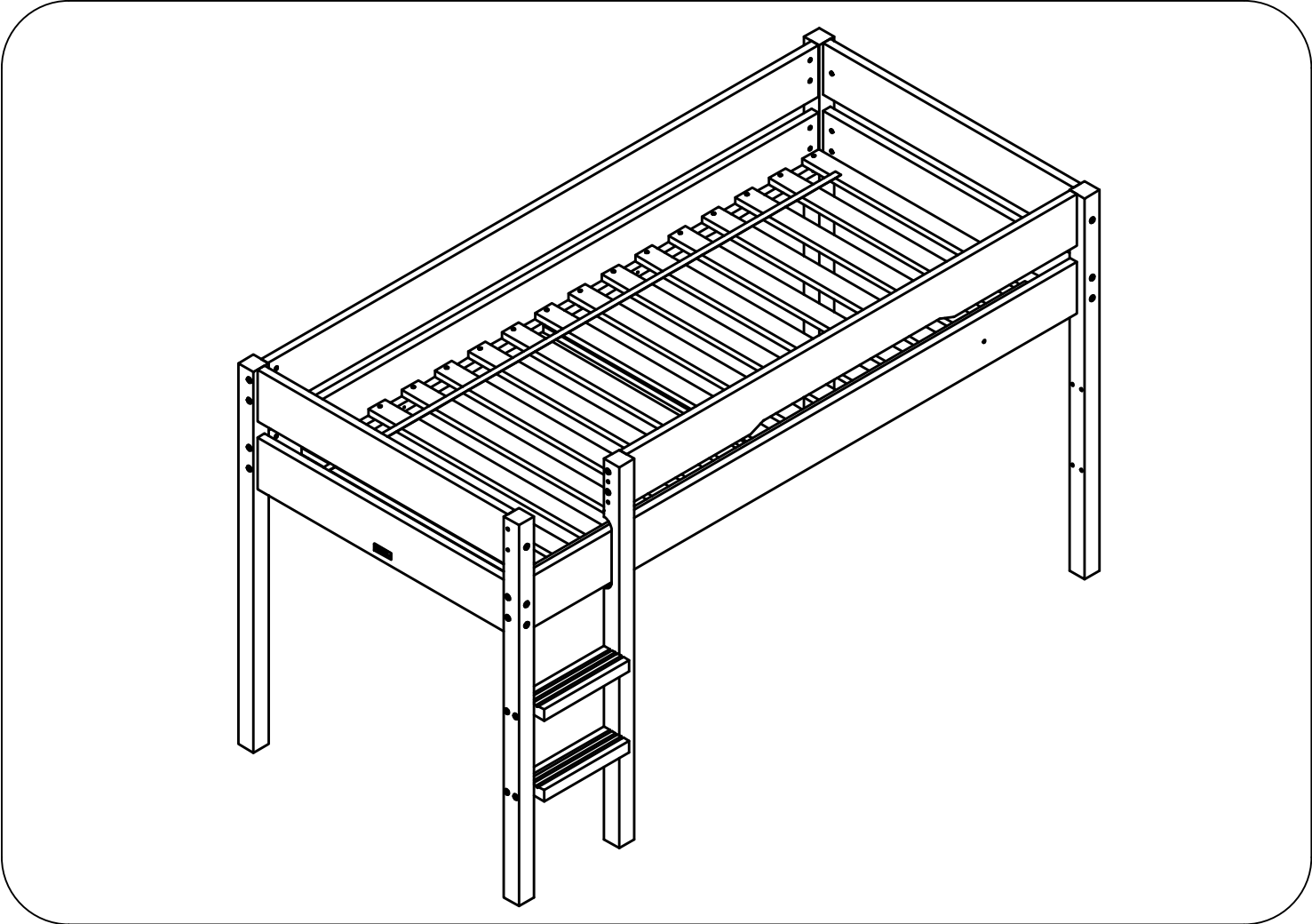
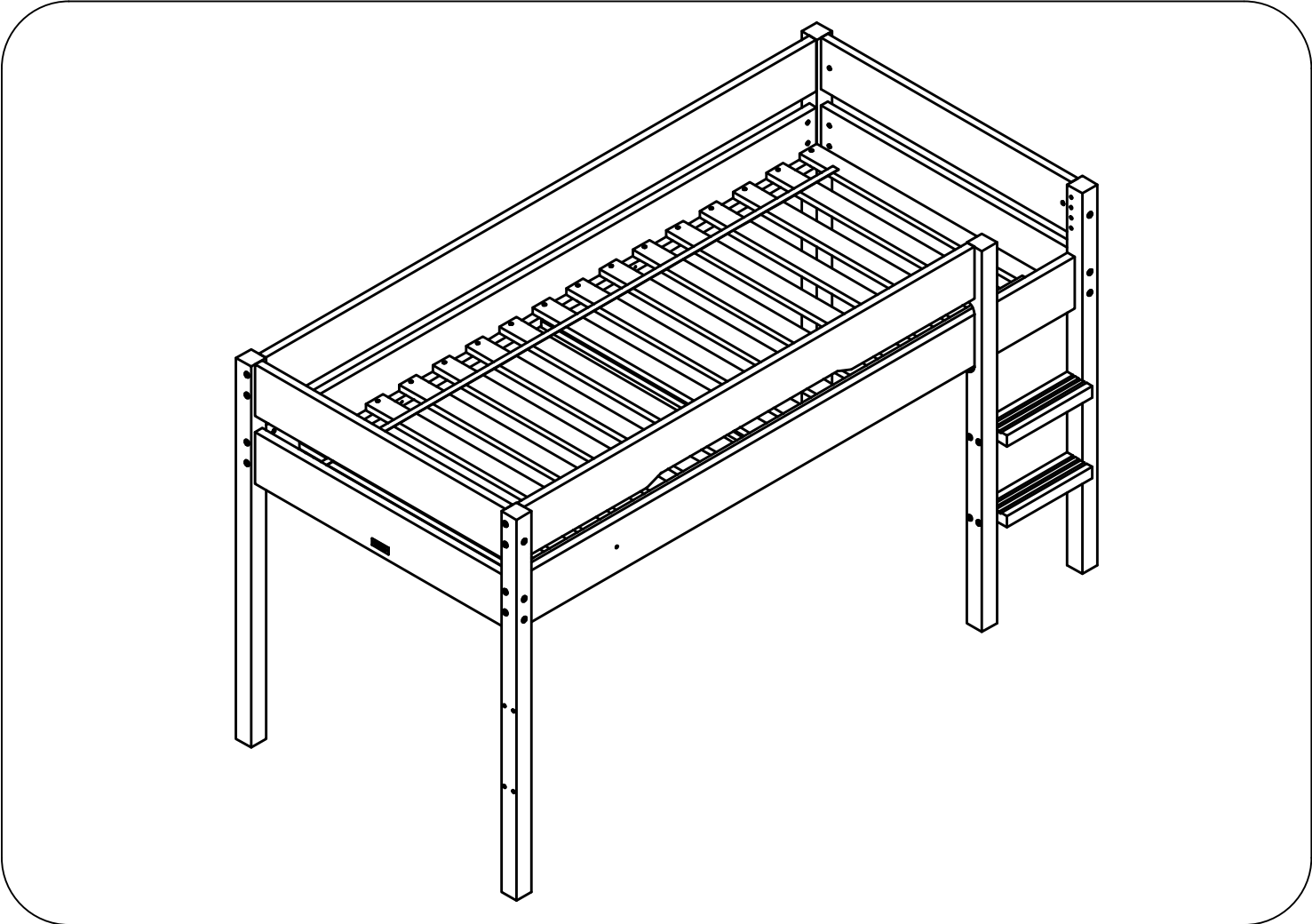


www.bopita.com

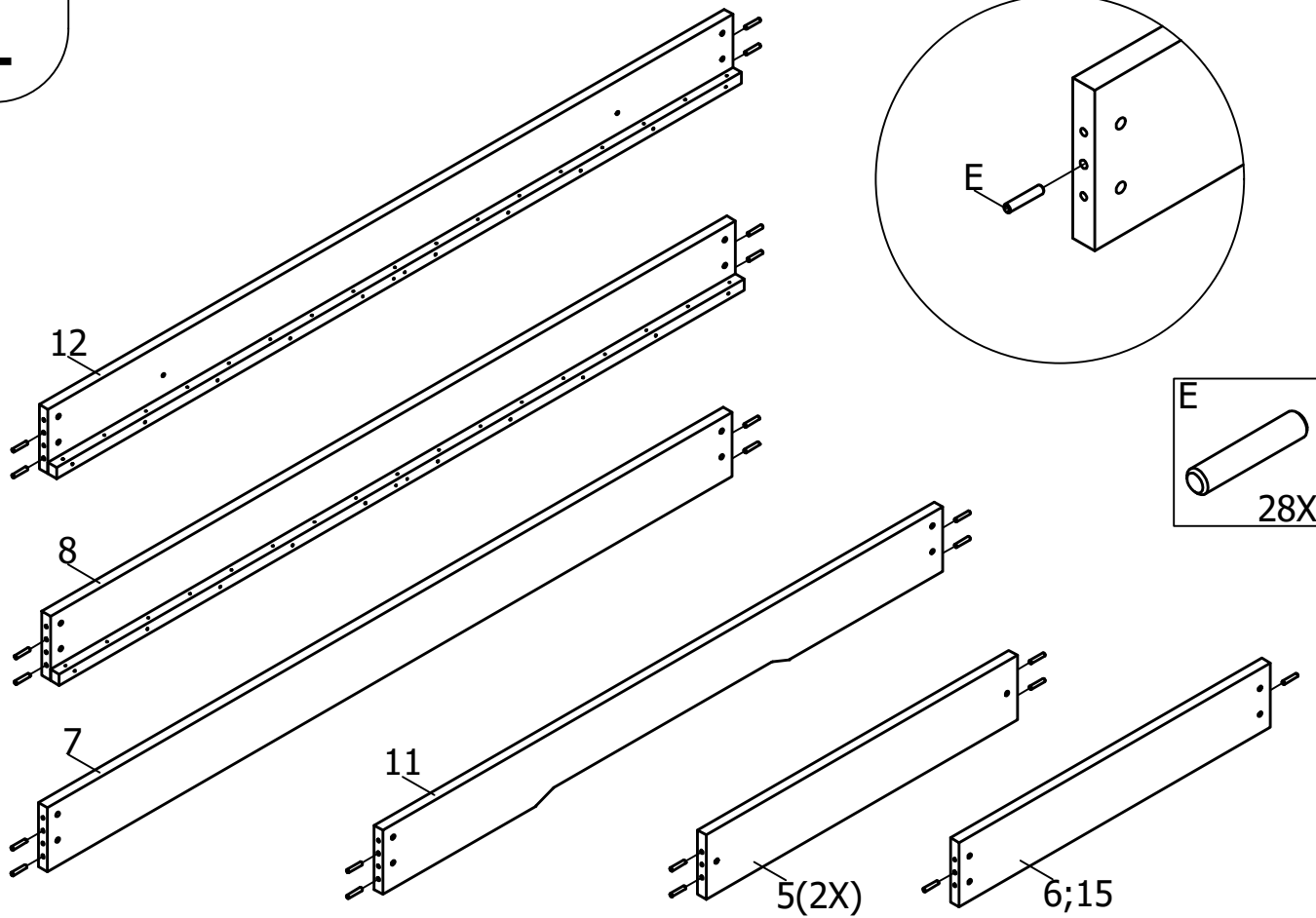
03.03.2023.

A	B	C	D	E	F
					
M6X100 28X	M6X70 8X	M6X35 1X	M6 28X	Ø8X40 28X	5X40 34X
G	H	I	J	K	
					
3,5X16 4X	3,5X25 4X		2X	2X SW4	1X

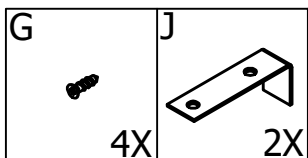
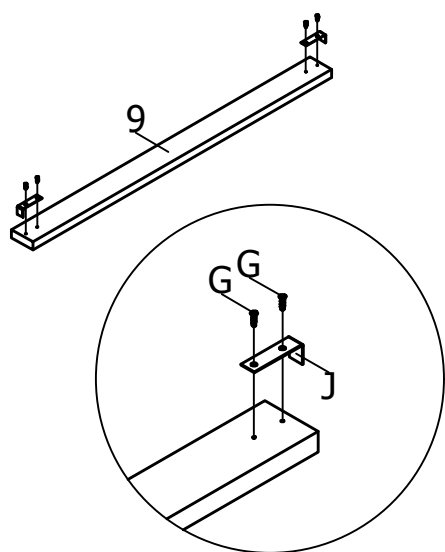




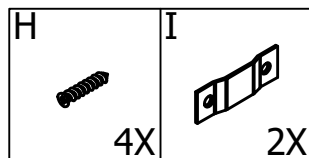
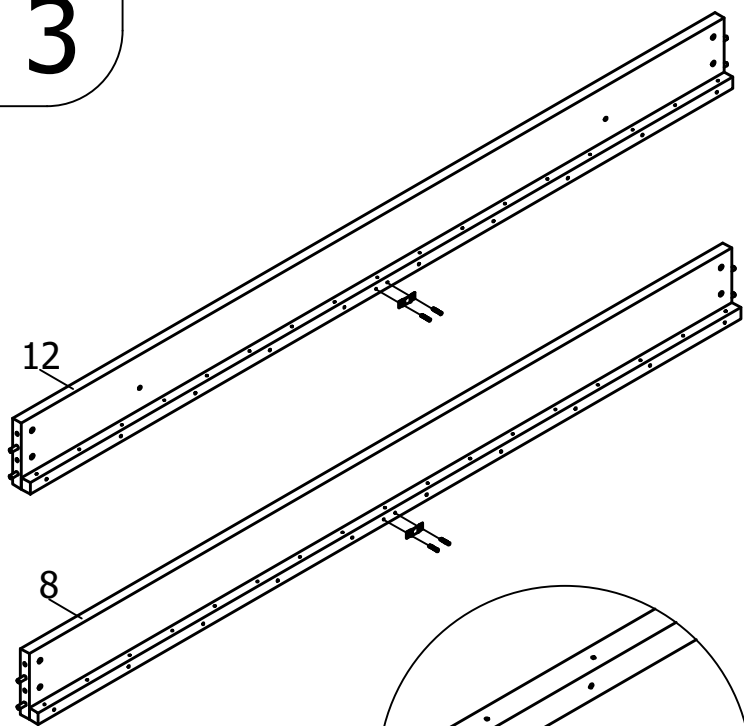
1



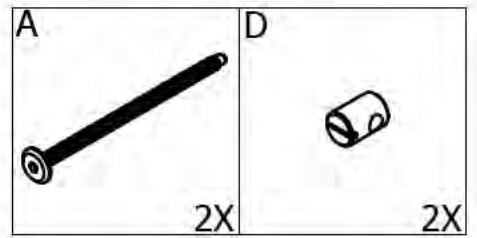
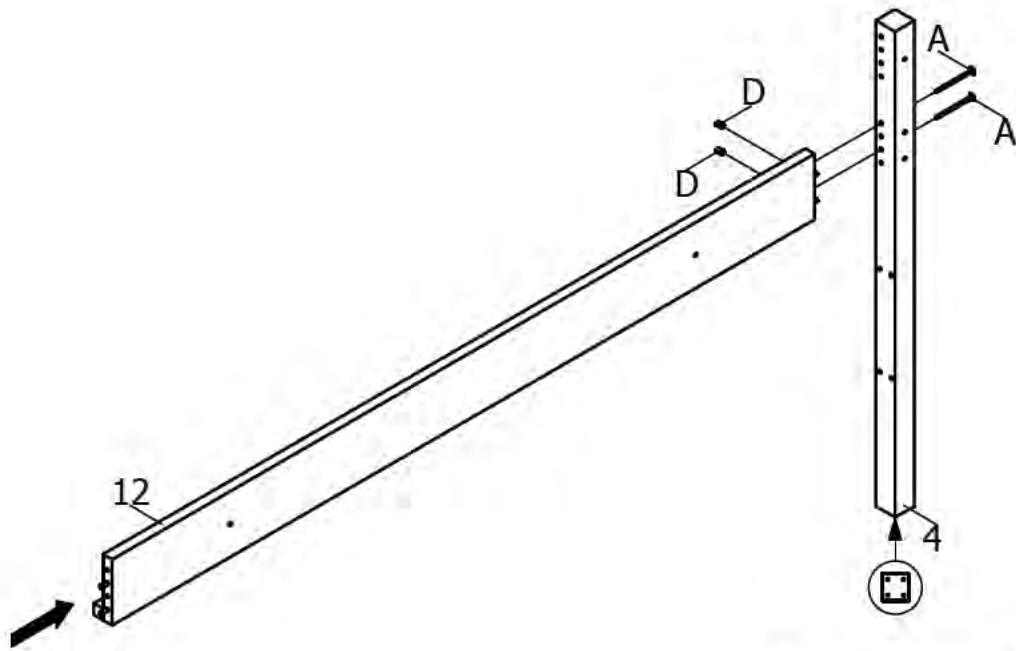
2



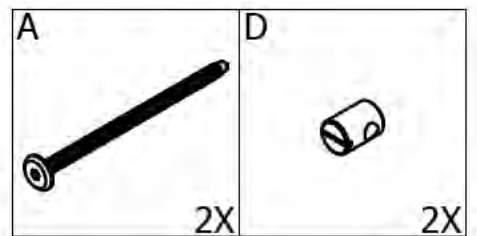
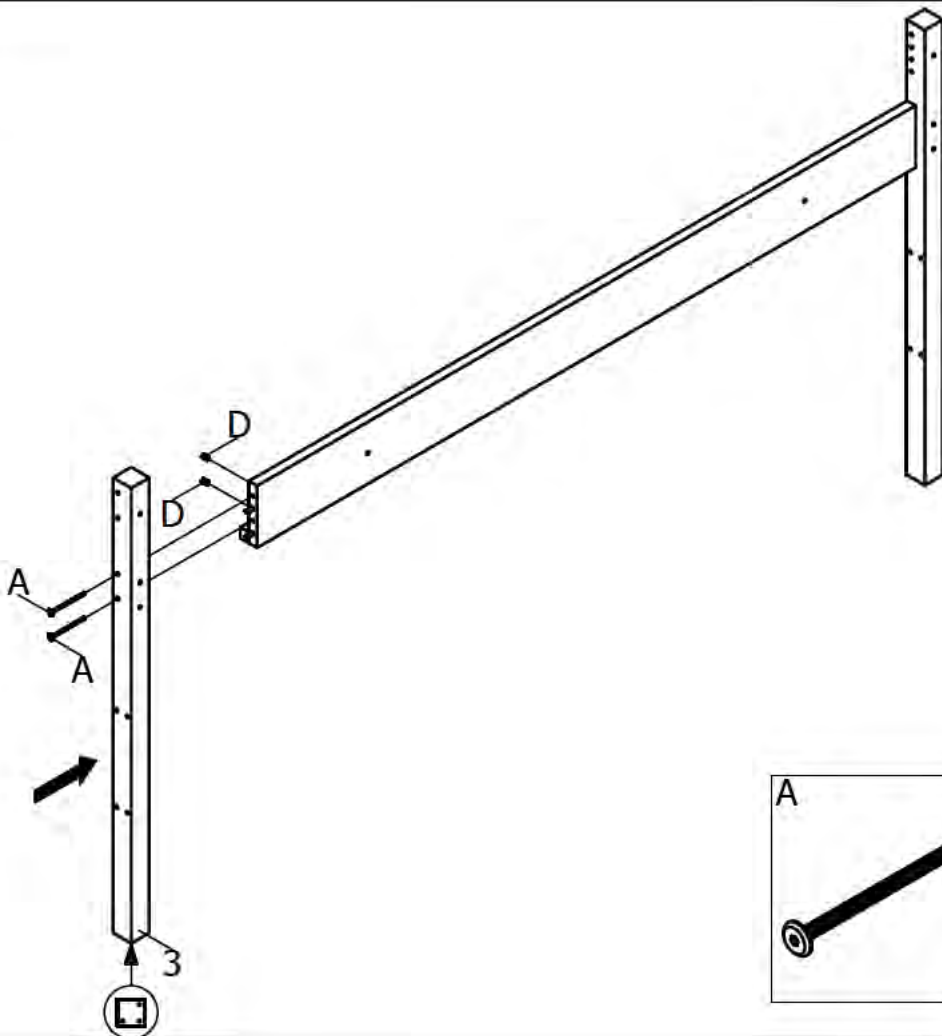
3



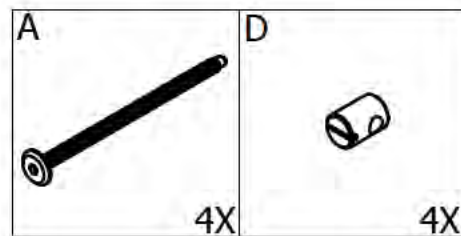
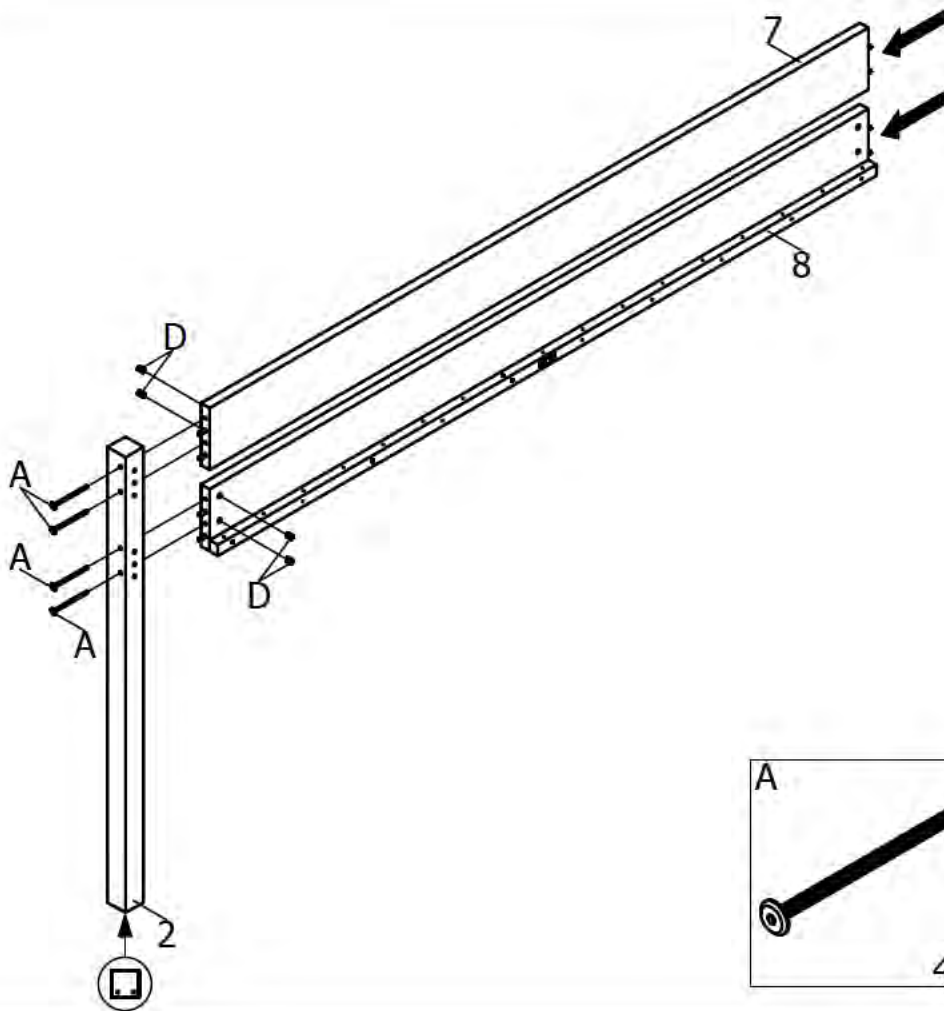
4



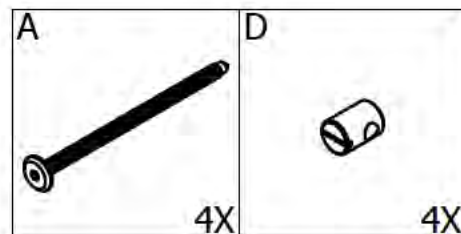
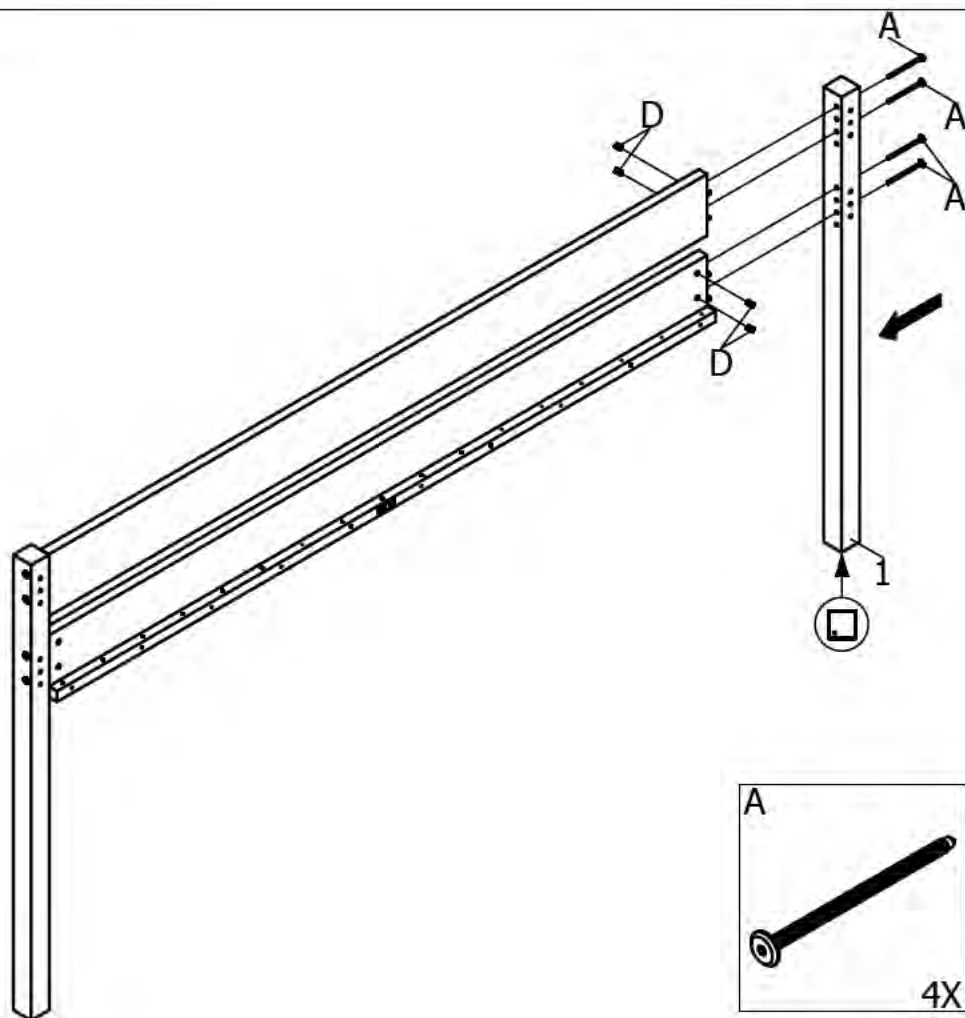
5



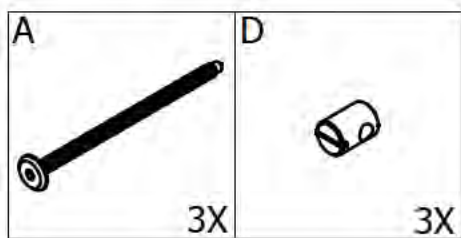
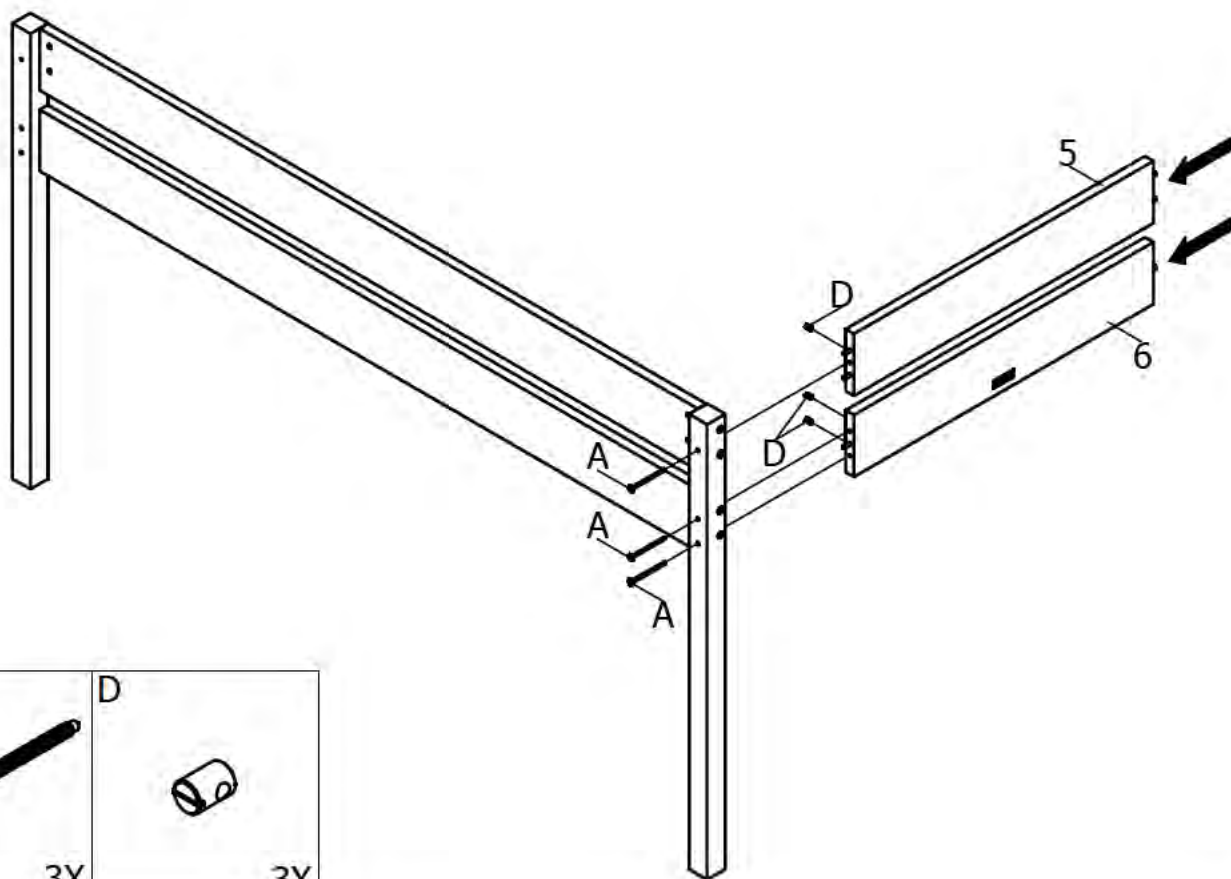
6



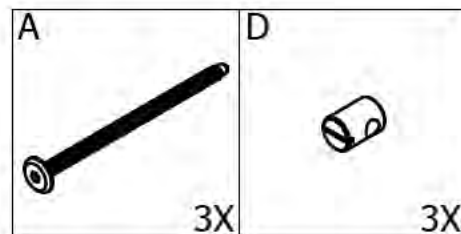
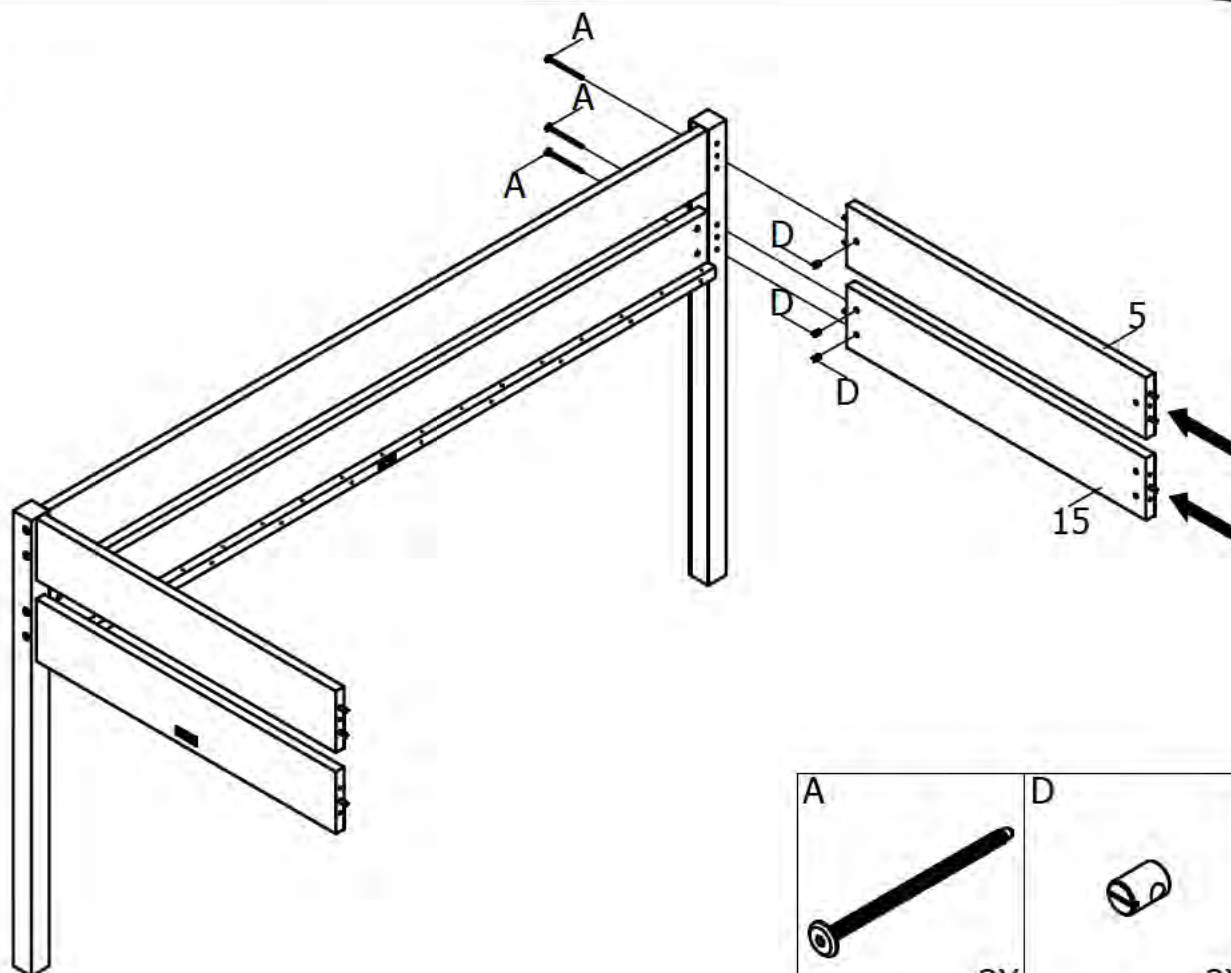
7



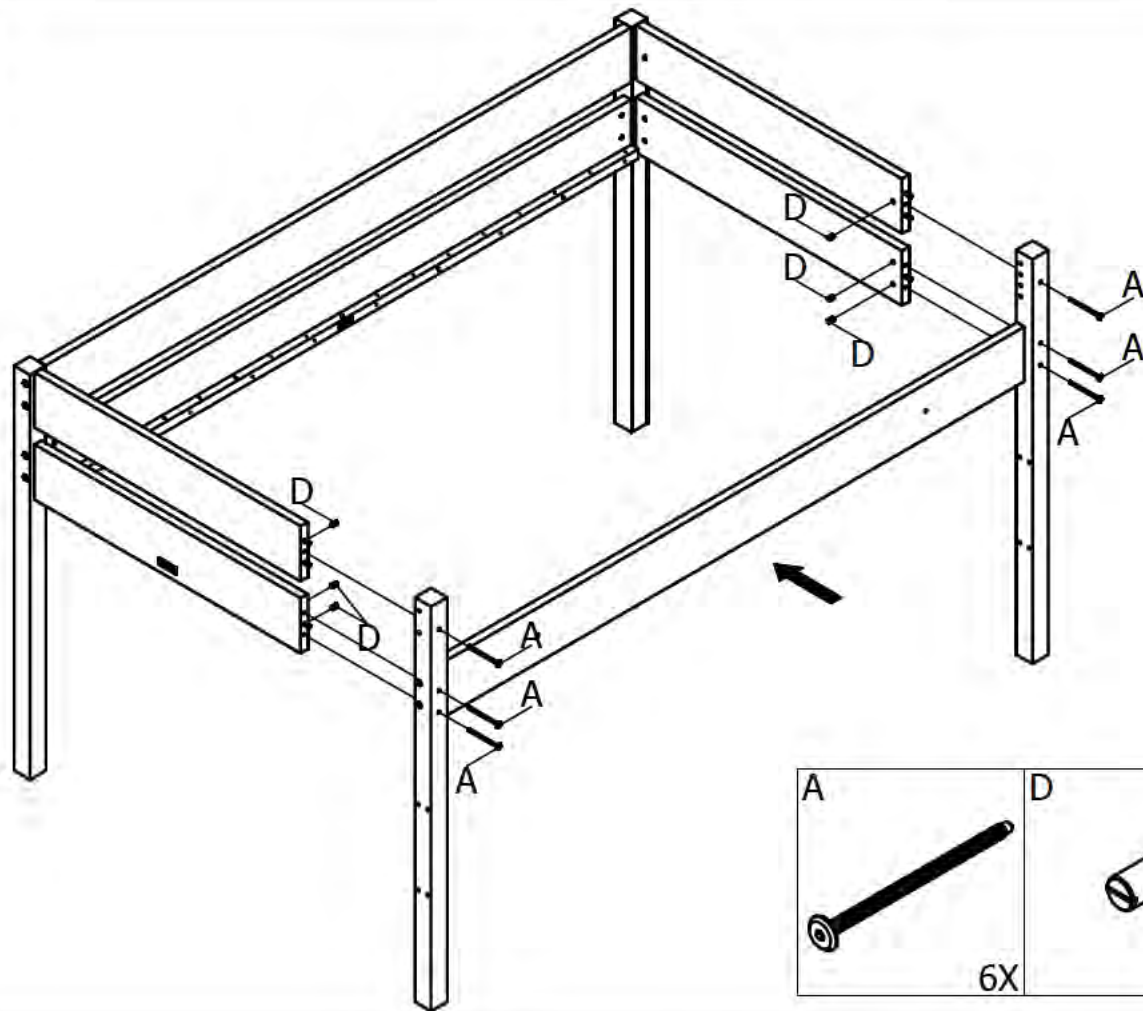
8



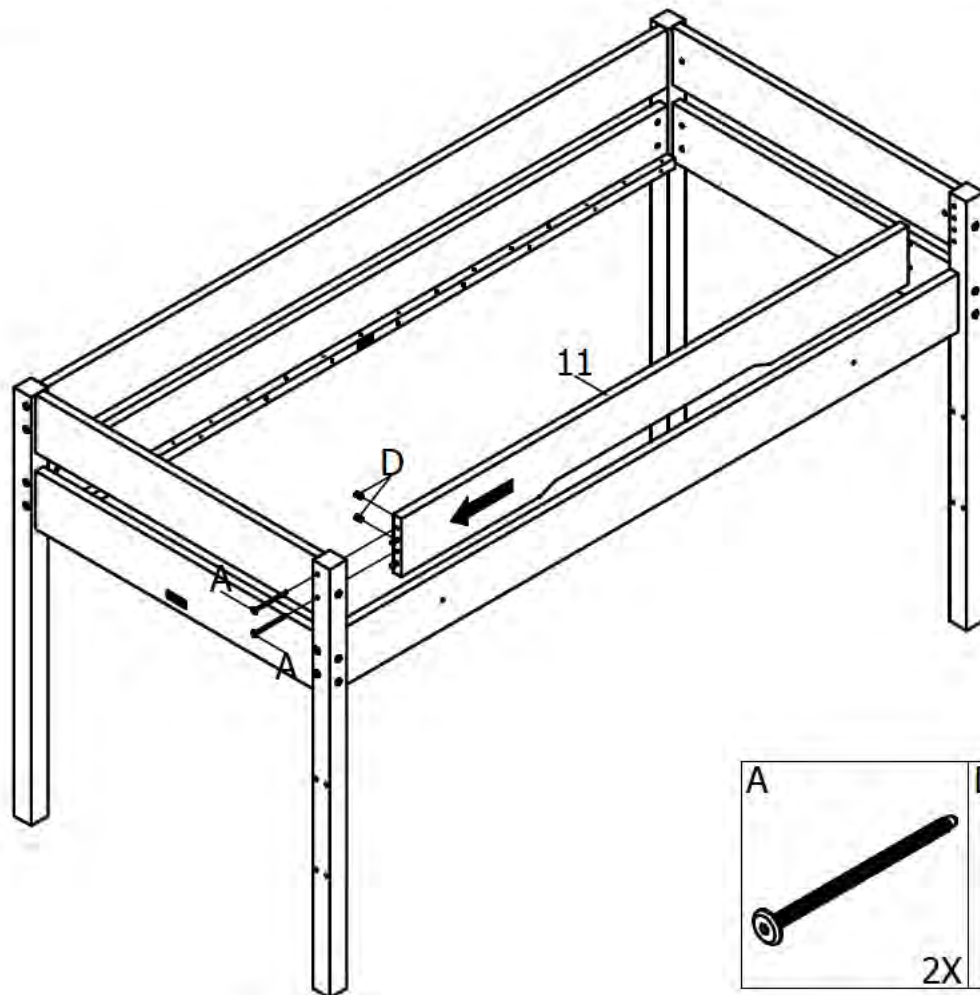
9



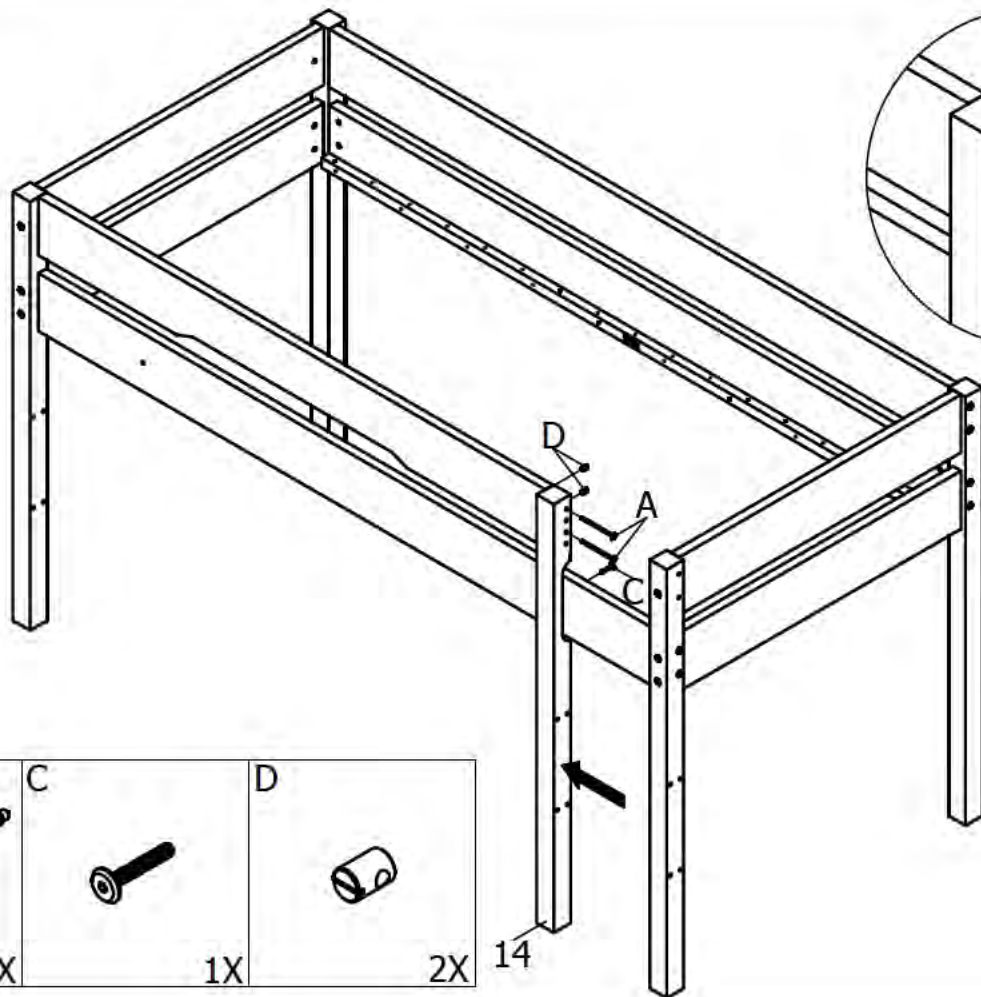
10



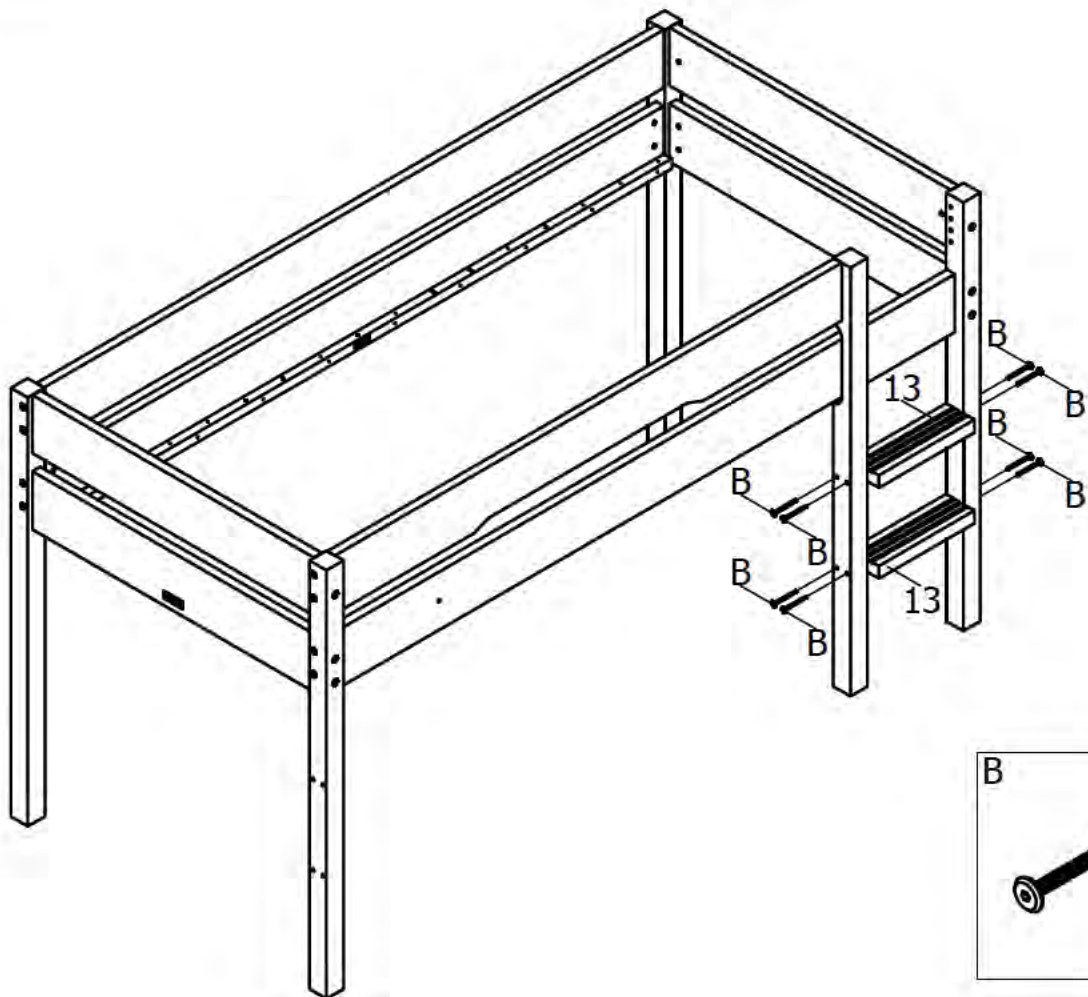
11



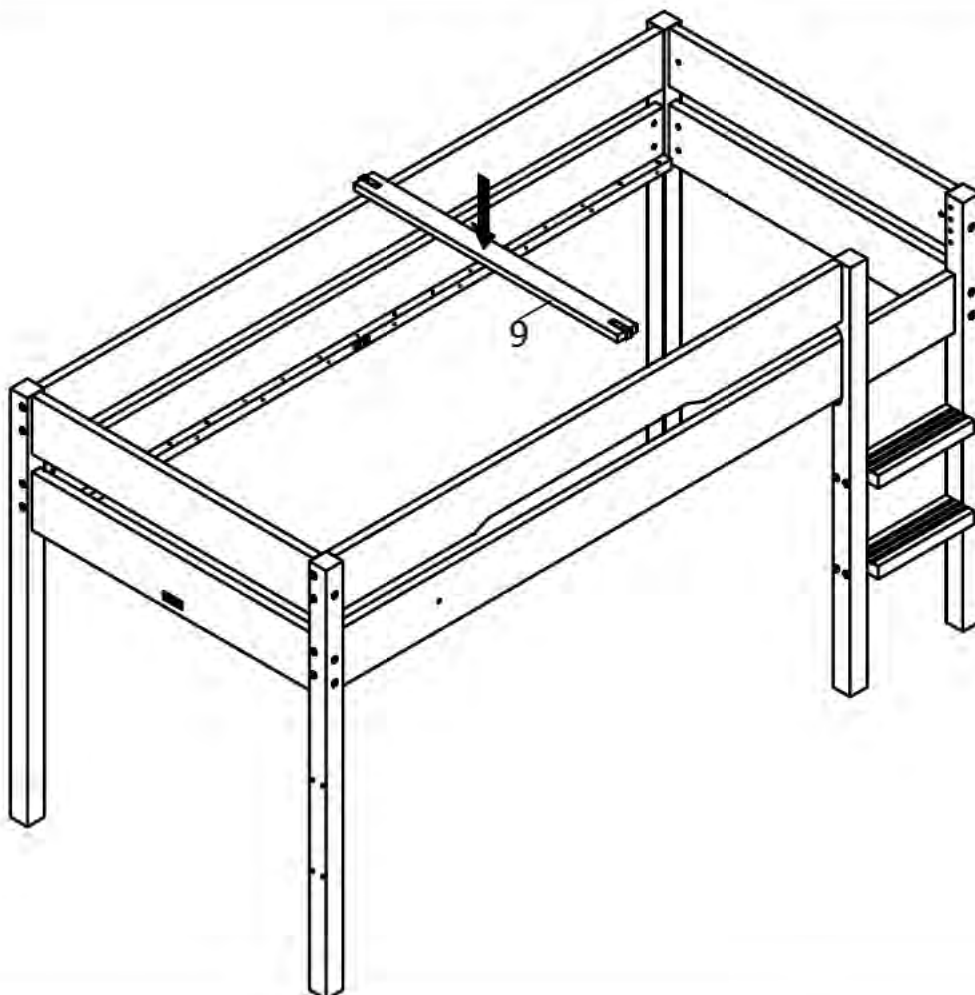
12



13



14



15

