

PEGASI

M026F INSTRUCTION MANUAL FOR BASKETBALL STAND



WARNING:
IMPROPER INSTALLATION OR
SWINGING ON THE RING MAY
CAUSE SERIOUS INJURY
OR DEATH

Notice to assemblers:

*All the basketball systems, including those used for displays must be assembled and ballasted according to instructions. Failure to follow instructions could result in serious injury.

*Please read all warnings and cautions before assembly. It is recommended to supervise children as they play with this product. This product is to be assembled by 2 adults only!

1



SAFETY INSTRUCTIONS



To ensure safety, do not assemble this system without following the instructions. Check entire box and inside all packing material for parts before assembly. A high probability of serious injury exists if this system is not installed, maintained and operated properly

- * The system should be moved by at least 3 adults capable of handling its weight. Children should not be allowed to move the system.
- * Check base (if applicable) regularly for leakage. Slow leaks could cause the system to tip over unexpectedly.
- * Stand in front of the system and pull the pole forward until the system is balanced on its wheels.
- * Move the system to the desired location and carefully set the base down.



warning

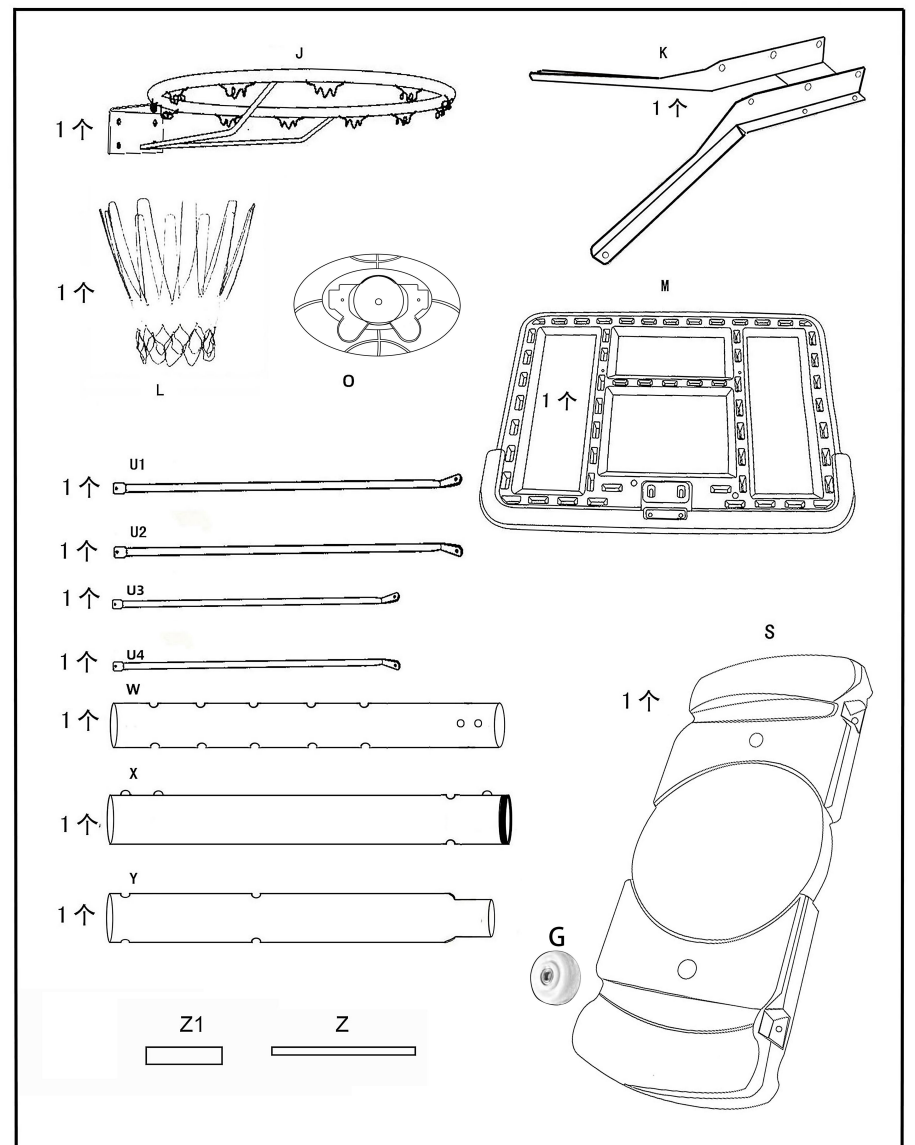
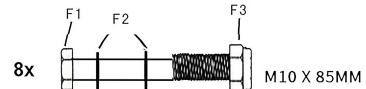
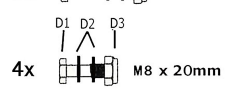
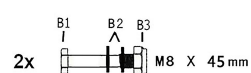
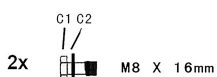
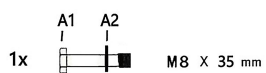
1. Do not hang on the rim or any parts of the system including backboard, support braces or net
2. Never play on damaged equipment. Any problem with parts please contact the customer service promptly
3. Do not leave the system in an upright position without filling base with weight. As system may tip over cause injury
4. Do not allow the water to freeze in base during sub-freezing weather. Please pour out the water and fill up the base with sand
5. Keep top pole and lifter pole covered with cap all the time
6. During play, do not wear jewelry (watches, necklaces, etc.) avoid entangling in net or losing
7. When adjusting height or moving system, keep hands and fingers away from moving parts
8. Do not allow children to move or adjust the system

2

一、 Spare parts

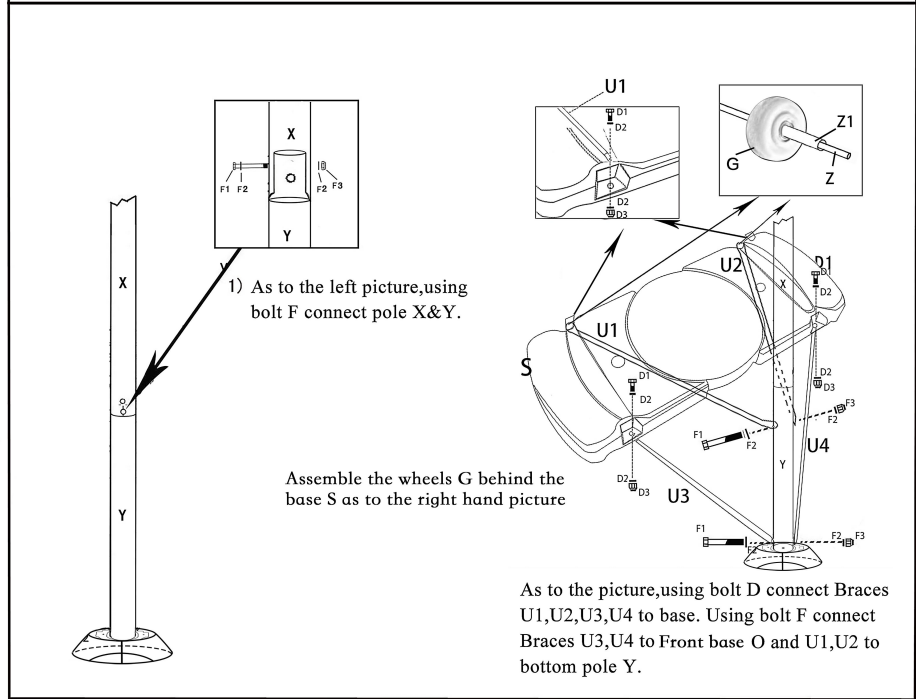
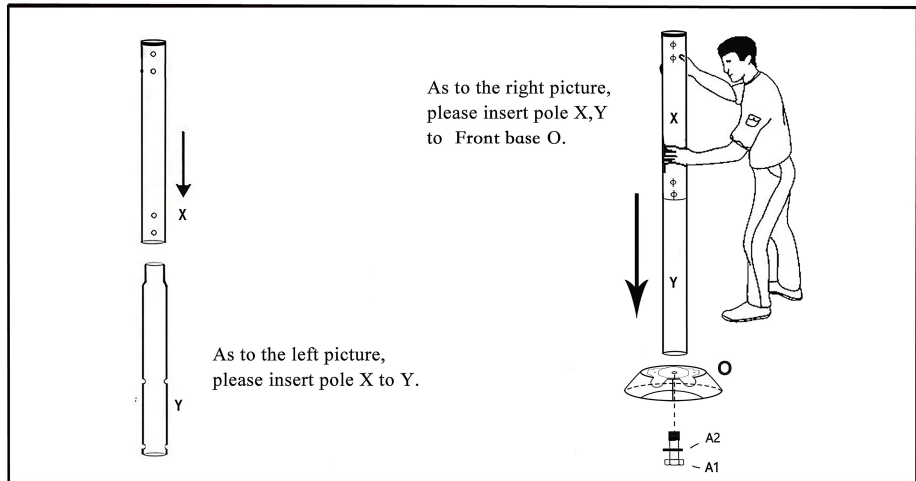
PART LIST

NO.	DESCRIPTION	QTY.	NOTE
A1、A2	M8 X 35 MM	1	
B1、B2、B3	M8 X 45 MM	2	Connect Backboard,Rim&Bracket.
B4、B5、B6、B7	M8 X 120 MM	2	Connect Backboard,Rim&Bracket
C1、C2	M8 X 16 MM	2	Connect Backboard&Bracket
D1、D2、D3	M8 X 20 MM	4	Connect Base&Support brace
F1、F2、F3	M10 X 85 MM	8	Connect Bottom Pole&Support brace Connect Top Pole&Bracket Connect Top Pole&Bottom Pole Connect Bottom Pole&Middle Pole
G	Wheel	2	
H	Cap	1	Top Pole Cap
I	Water cap	2	
J	Rim	1	
K	Bracket	1	
L	Basket Net	1	
M	Backboard	1	
U1	Support brace (right)	1	
U2	Support brace (left)	1	
U3	Support brace (lower left)	1	
U4	Support brace (lower right)	1	
O	Front base	1	
W	Top Pole	1	
X	Middle Pole	1	
Y	Bottom Pole	1	
S	Base	1	
Z	Connector	2	

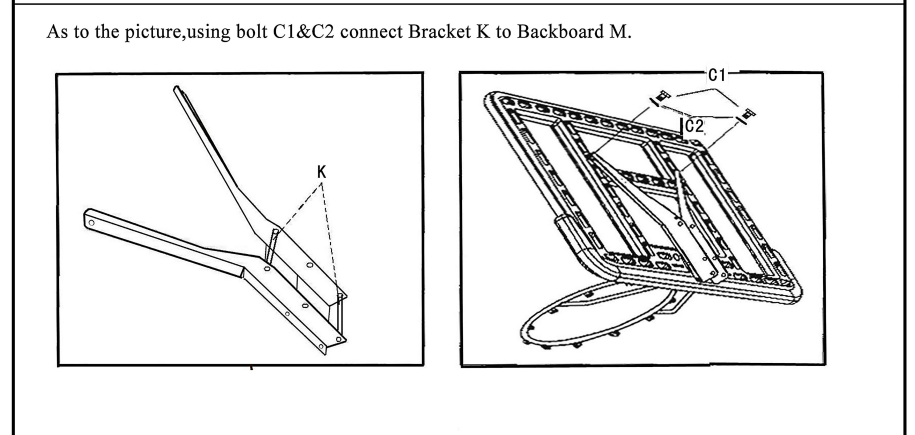
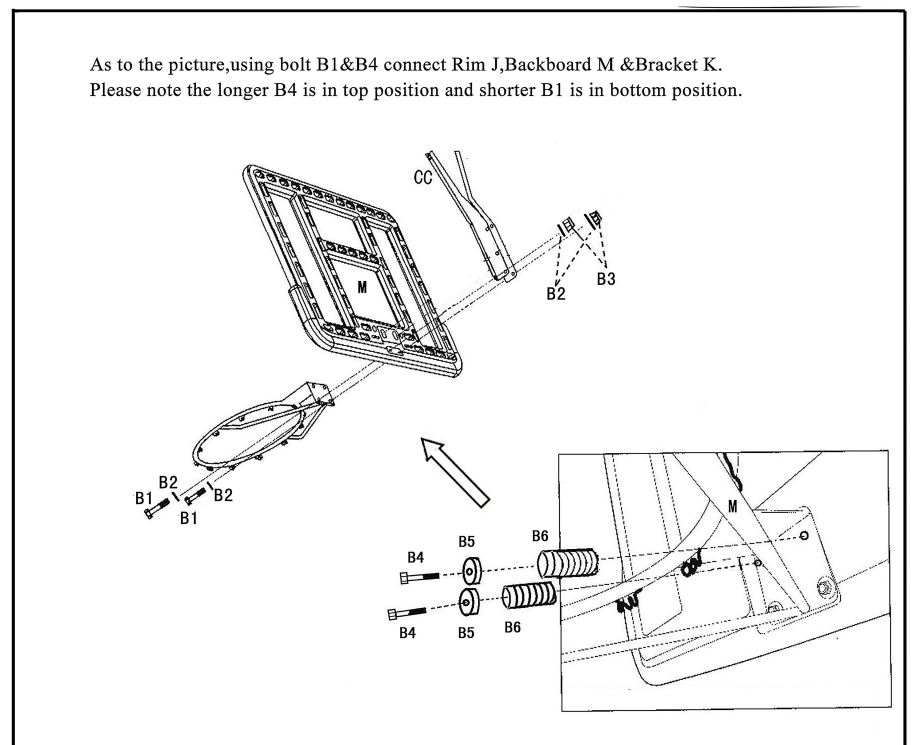


3

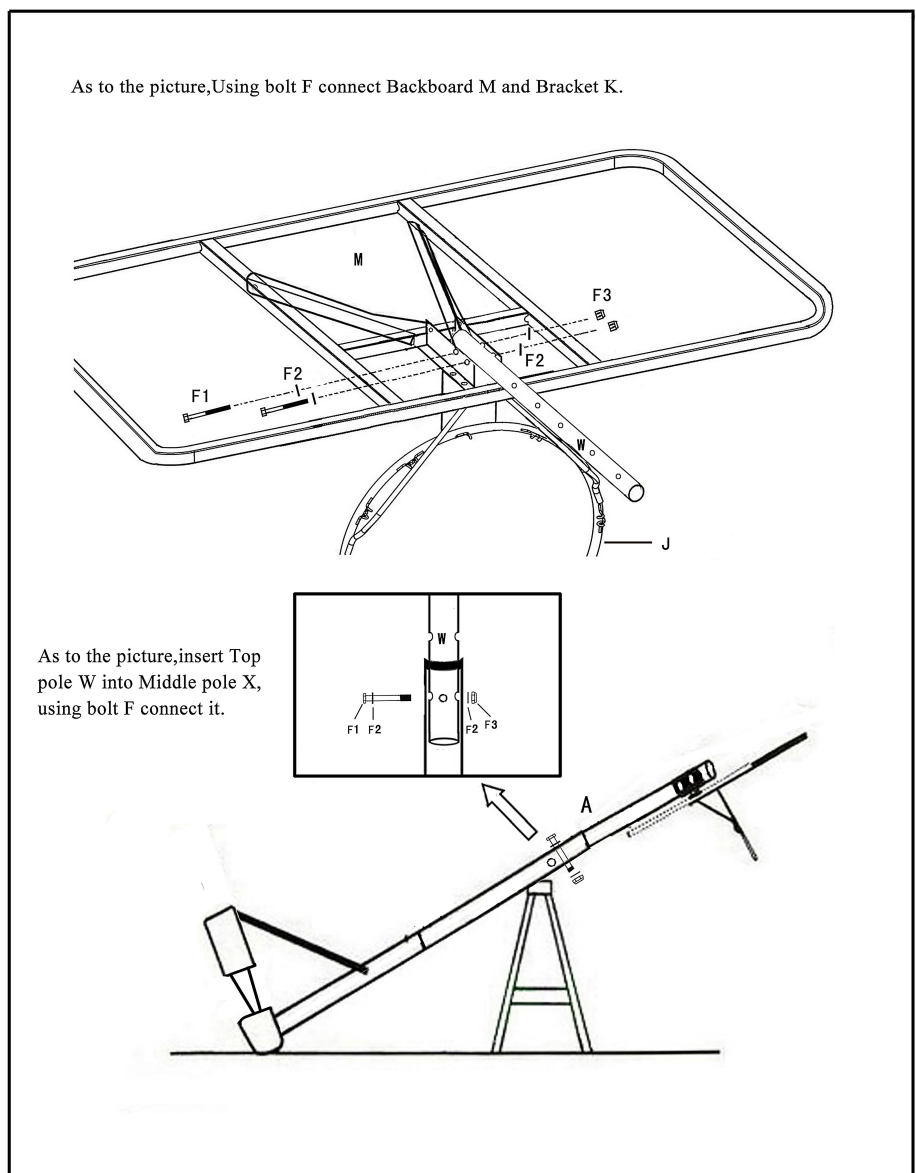
4



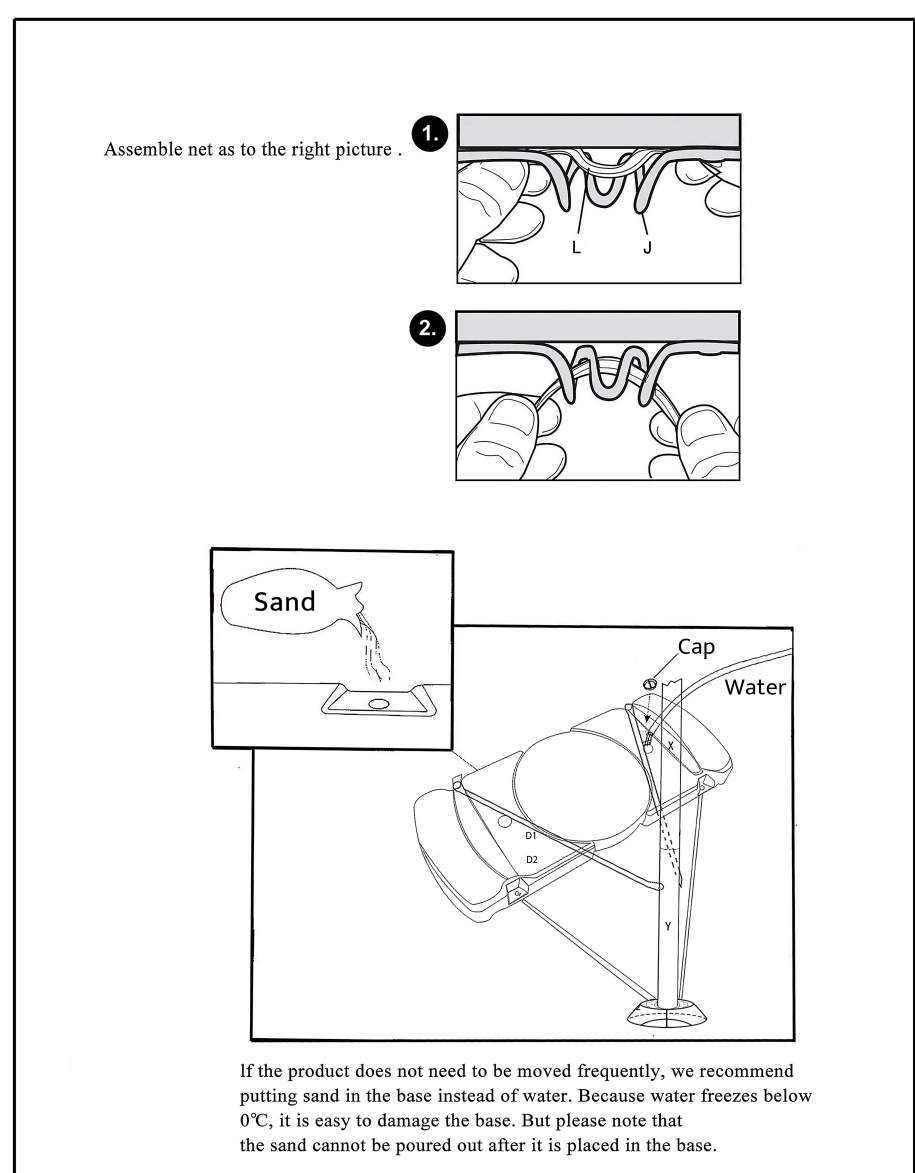
5



6



7



8