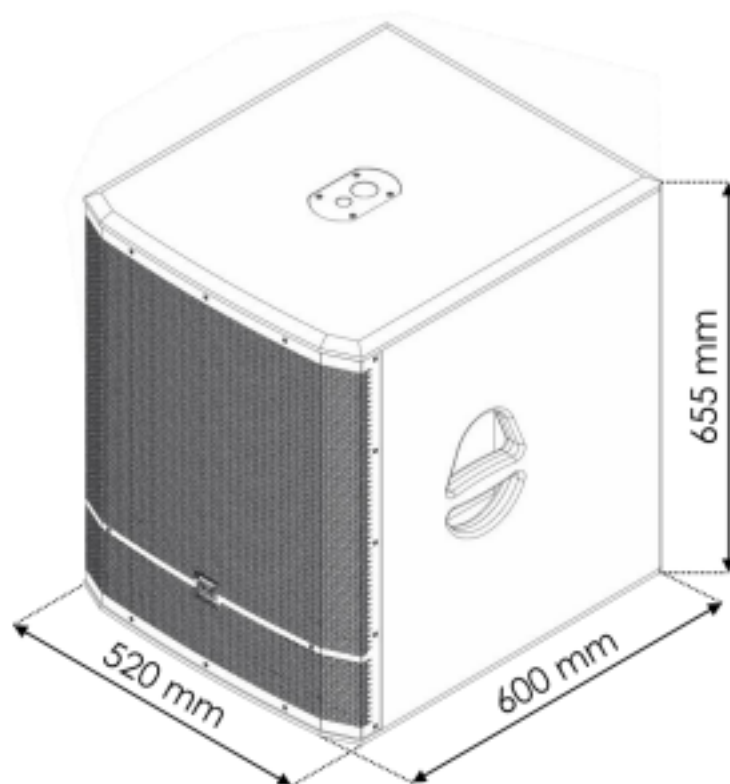


Product Specifications

Model:	Pure-18S Passive 18" Subwoofer
System:	Bass-reflex Subwoofer
Power RMS:	800 W
Power peak:	1600 W
Speaker low:	18", 4" Voice coil
Frequency response (-3 dB):	35-160 Hz
Frequency response (-10 dB):	32-200 Hz
Speaker sensitivity:	104 dB / W / m
Max. SPL @ 1 m:	133 dB
Speaker impedance:	8 Ω
Crossover frequency:	125 Hz, 24 dB/Oct BW
Recommended HPF:	32 Hz, BW-24
Audio connector:	Speakon NL4 IN/OUT/MID-HIGH OUT
Housing:	18-mm Birch Plywood
Color:	Black, scratch resistant
Mounting:	35-mm/M20 pole mount
Dimensions:	600 x 520 x 655 mm (LxWxH)
Weight:	36,66 kg



Design and product specifications are subject to change without prior notice.



Website: www.Dap-audio.info

Email: service@highlite.com