



AL-ALLOY ELECTRIC FOLDING BIKE

Owner's Manual



TO REVOLT USERS

Dear Customer,

Thank you for choosing Revolt, an expert in folding electric bikes! We design bikes that bring more fun to people when they are riding more and driving less. We are dedicated to the goal of portable transportation, and design and manufacture bikes for urban transport with a focus on small-wheel-size electric bikes.

GENERAL SAFETY NOTES

Read Before Riding

For safety reasons, it is very important that you read this user manual before you operate the bike. The proper handling will raise the riding performance and reduce some unnecessary danger during operation.

Respect Others on the Road

Please obey traffic laws and respect motor vehicles. Please stay in the lane where belong to bikes and pay attention to other riders or vehicles around so you can enjoy more fun safely.

Wear a helmet

A good, authorized bike helmet may prevent injury in an accident.

Servicing precautions

Do not proceed with servicing or adjustments without proper knowledge or tools. Turn to us for help or go to some bike shops for professional guidance.

Hit the books

This manual is only to be used in conjunction with other manuals included with your pedelec such as motor, control system, component, and folding manuals.

BEFORE USE

- Check tire pressure (3.4 – 5.1 bar // 50 – 75 psi)
- Ensure that brakes are working properly
- Verify that the battery is sufficiently charged
- Make sure that the handlebar and saddle post are correctly inserted and tightened
- Verify that the wheel hub mounting nuts are correctly tightened
- Verify that the seat post is firmly tightened using the screws.
- Do not over-tighten any screws as it may cause frame damage.



BEFORE EVERY RIDE

- Check if the handlebar attachment and saddle post are correctly inserted and tightened.
- Check if the wheel hub mounting nuts are correctly tightened.
- Check if the wheel rims are not cracked and that no spokes are loose or broken.
- Check if the tires are not worn or cut.
- Check if the tires are correctly inflated
- Check that the battery is sufficiently charged.
- Check if the front and rear lights are working correctly.
- Check that the front and rear brakes brake work effectively
- Check if the cables are sufficiently greased, and that the brake pads are in good condition.
- Flat tire: To replace the rear tire, make sure to power off the Revolt, and disconnect the motor cable first.



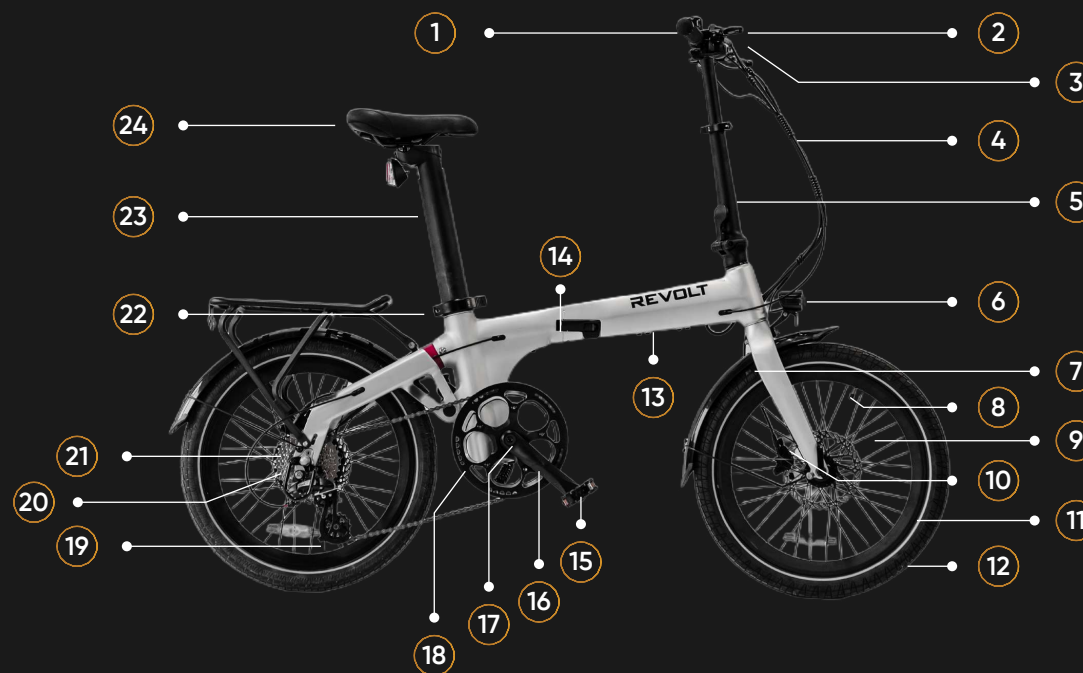
BATTERY & CHARGER SAFETY

Improper use of the battery charger can cause a fire, resulting in severe injury or death and property damage. Please review the following instructions and guidelines carefully to ensure safe battery use and maintenance.

1. Keep the charger away from children!
2. While charging, put the battery in a secure place where children cannot reach it.
3. Do not touch the two poles of the battery with your hands when the battery is removed for charging.
4. Do not use any other charger other than the one that came with your Morfun's electric bike.
5. Do not attempt to open or repair your charger.
6. Charge your bike indoors whenever possible.
7. Charge your battery during the day in a room which has a smoke or fire detector.
8. Do not charge in your bedroom.
9. Charge in a well-ventilated area.
10. Keep away from flames and sparks.
11. Do not put anything on top of the charger while charging; it must be well ventilated to allow the heat generated to dissipate.
12. When charging, if there is a peculiar smell or the charger gets too hot to touch, please stop charging immediately.
13. It is recommended that you charge and discharge your battery at least once every 2 month.
14. When start charging, connect the charger to the battery first, and then connect the plug to the wall.
15. Once charging is complete disconnect the plug from the wall first, and then disconnect the charger from the battery
16. To avoid damage to the battery, never subject the bike to intense physical shock, severe vibration or impact.
17. Store the battery in a cool, dry place.

PRODUCT OVERVIEW

- 1 LCD Display
- 2 Handlebar
- 3 Brake Lever
- 4 Wire harness with quick-disconnect
- 5 Stem
- 6 Front Light
- 7 Front Fork
- 8 Valve
- 9 Spokes
- 10 Disc Brakes
- 11 Rim
- 12 Tire
- 13 Controller
- 14 Folding Handle
- 15 Pedal
- 16 Crank Arm
- 17 Sensor
- 18 Chain Ring
- 19 Derailleur
- 20 Freewheel
- 21 Motor
- 22 Seat Post Clamp
- 23 Seat Post Battery
- 24 Saddle



PRODUCT OVERVIEW

OPERATE THE DISPLAY

To turn the control panel ON or OFF, press and hold the Power Button for 2 seconds.

- To adjust the PAS levels from 0-5, press the Plus or Minus Button.
- To Turn ON or OFF the front light, press and hold the Plus Button for 2 seconds.
- To switch the readouts, press the MODE Button to check Average and Max Speed.
- To enable the walk mode, press and hold the Down button. This will power the bike at a steady 6 km/h speed.
- Note*: When you walk the bike, get the PAS level to 0 in case the sensor works suddenly.



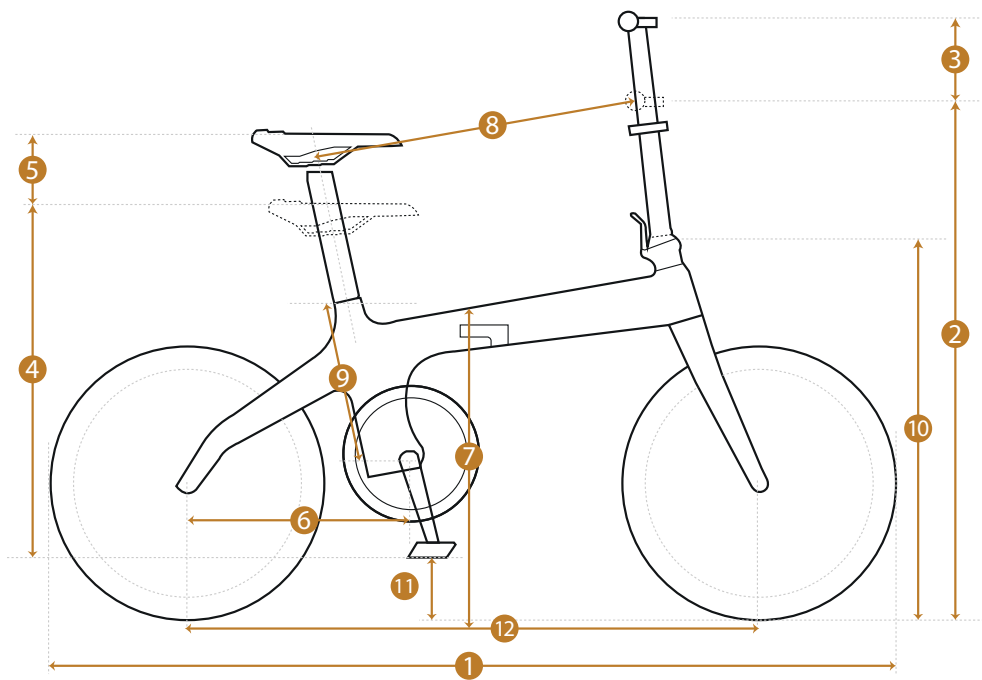
PRODUCT OVERVIEW

SPECIFICATION



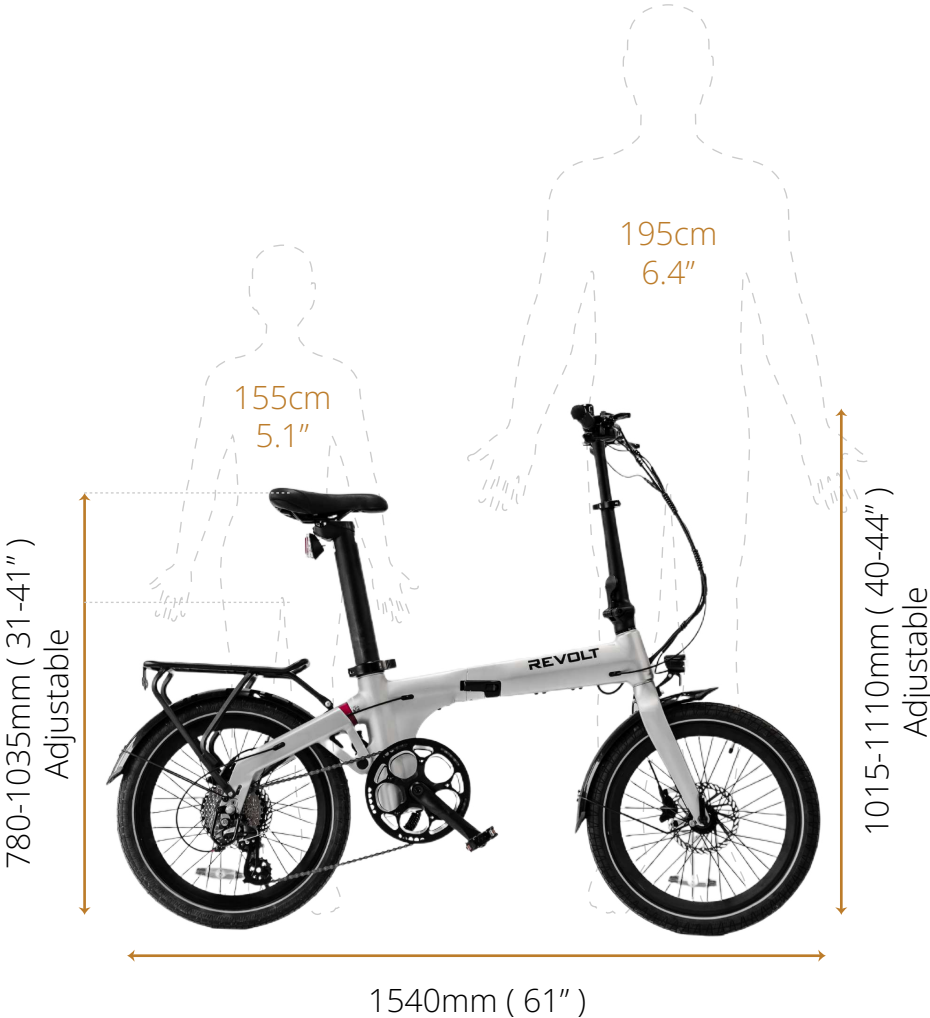
Frame Material	6061 Al-Alloy	Rated Power	250W or 350W
Front Fork	Mag-Alloy	Output Torque	45N.m
Stem	Stem	Display	TFT LCD
Handlebar	580mm	Gear Set	Shimano Altus 8S
Max Rider Weight	120kg	Brake System	Morfun's Hydraulic
Max Speed	25km/h or 28km/h	Tire Size	20*2.2
Weight	19.6kg	Range	120km
Capacity	36V 10Ah/15Ah	Charging Time	4-6H

PRODUCT OVERVIEW



- 1 Total Length
61" (1540 mm)
- 2 Min Handlebar Height
40" (1015mm)
- 3 Maxi Handlebar Height
44" (1110 mm)
- 4 Min Seat Height
26" (660mm)
- 5 Max Seat Height
36" (915mm)
- 6 Chain Stay Length
16" (395mm)
- 7 Standover Height
23" (575 mm)
- 8 Top Tube Length
24" (600mm)
- 9 Min Handlebar Height
12" (305 mm)
- 10 Heade Length
27" (695mm)
- 11 Min Pedal Height
5" (120mm)
- 12 Wheelbase
40" (1025mm)

PRODUCT OVERVIEW



PRODUCT PARAMETERS

ALUMINIUM ALLOY REGULAR

- 1. Frame Material:** Design Al-Alloy 6061 with no welding trace
 - 2. Front Fork:** Magnesium Alloy
 - 3. Rear Fork:** 3D Integrated forging Al-alloy 6061 with Suspension
 - 4. Size:** 1480*580*900mm
 - 5. Folded Size:** 850*390*660mm
 - 6. Net Weight:** 20kg
 - 7. Max Load:** 120kg
 - 8. Derailleur:** L-TWOO Outer 7 speed 14-281
 - 9. Chain Wheel:** Prowheel 52T Plastic
 - 10. Brake Lever:** Oil Hydraulic E-bike Brake
 - 11. Brake:** Disc brake 160mm
 - 12. Handlebar:** Al-alloy 6061
 - 13. Stem:** 3D Integrated forging Al-alloy 6061
 - 14. Saddle:** Zeus Comfort
 - 15. Pedals:** Foldable pedals
 - 16. Seat Post Battery:** Al-alloy 6061 c57mm with power switch, IP64
 - 17. Tire:** Innova 204.95 with reflective line
 - 18. Motor:** 36V 250W/350W high speed
 - 19. Max torque:** 65N.m
 - 20. Chain:** KMC for 7 speed
 - 21. Display:** TOPOLOGY Colorful LED
 - 22. Controller:** DMHC FOC
 - 23. Sensor:** Speed sensor
 - 24. Battery:** 36V 7.8Ah Li-ion battery
 - 25. Charging Time:** About 4-6 hours
 - 26. Charger:** 100-240V smart charger 42V2Ah
 - 27. Range:** About 80km
- Also included:**
- 28.** Front and Rear lights
 - 29.** Front and Rear reflectors
 - 30.** Front and Rear Mud Guards
- Optional**
- 31.** Rear Rack

PRODUCT PARAMETERS

ALUMINIUM ALLOY PRO

- 1. Frame Material:** Design Al-Alloy 6061 with no welding trace
 - 2. Front Fork:** Magnesium Alloy
 - 3. Rear Fork:** 3D Integrated forging Al-alloy 6061 with Suspension
 - 4. Size:** 1480*580*900mm
 - 5. Folded Size:** 850*390*660mm
 - 6. Net Weight:** 20kg
 - 7. Max Load:** 120kg
 - 8. Derailleur:** L-TWOO Outer 7 speed 14-281
 - 9. Chain Wheel:** Prowheel Al-Alloy chain wheel
 - 10. Brake Lever:** Oil Hydraulic E-bike Brake
 - 11. Brake:** Disc brake 160mm
 - 12. Handlebar:** Al-alloy 6061
 - 13. Stem:** 3D Integrated forging Al-alloy 6061
 - 14. Saddle:** Zeus Comfort
 - 15. Pedals:** Foldable pedals
 - 16. Seat Post Battery:** Al-alloy 6061 c57mm with power switch, IP64
 - 17. Tire:** Innova 204.95 with reflective line
 - 18. Motor:** 36V 250W/350W high speed
 - 19. Max torque:** 65N.m
 - 20. Chain:** KMC for 7 speed
 - 21. Display:** Topology mini LCD
 - 22. Controller:** Landian FOC
 - 23. Sensor:** Torque sensor
 - 24. Battery:** 36V 7.8Ah Li-ion battery
 - 25. Charging Time:** About 4-6 hours
 - 26. Charger:** 100-240V smart charger 42V2Ah
 - 27. Range:** About 80km
- Also included:**
- 28.** Front and Rear lights
 - 29.** Front and Rear reflectors
 - 30.** Front and Rear Mud Guards
- Optional**
- 31.** Rear Rack

TORQUE REQUIREMENTS FOR SCREWS

It is vital that all screws are tightened to the appropriate torque values (Nm). Use a torque wrench tool to ensure that all screws are secure. Too much torque can damage the screw, nut or component.

1. Seat bolt: 22 Nm
2. Seat post clamp: 5 Nm
3. Brake levers: 3 Nm
4. Headset bolt: 35 Nm
5. Disc brakes: 6 Nm
6. Brake calipers: 9 Nm
7. Derailleur hanger: 8 Nm
8. Bottom bracket: 35 Nm
9. Crank: 50 Nm
10. Crank arm: 35 Nm
11. Pedals: 38 Nm
12. Folding handle, Shaft screw: 10 Nm
13. Axle nut, Rear: 22 Nm

Every 300-500KM

Check the following for possible adjustments:

1. Chain Sprockets;
2. Rims;
3. Wheel and Spokes;
4. Brake pads for wear, to be replaced if required;
5. Gearside;
6. All folding levers;
7. All mounting screws.



ERROR CODES

CODES	Description	Solutions
04	Throttle doesn't return to 0 position	Check if the throttle is in the 0 position
05	Throttle failure	Check the throttle connection
07	Overvoltage Protection	Check the voltage of the battery
08	Failure of motor's hall signal wire	Check the motor
09	Failure of motor's phase wire	Check the motor
11	Failure of controller's temperature sensor	Check the controller
12	Failure of current sensor	Check the controller
13	Battery temperature issue	Check the battery
14	Motor temperature issue	Check the motor
21	Failure of speed sensor	Check the position of speed sensor
22	Failure of the BMS communication	Check the battery
30	Communication Error	Check the connection to the controller

TROUBLESHOOTING

	PROBLEMS	SOLUTIONS
A	Top speed too slow	Fully recharge battery
B	Power ON but motor not working	1. Reinstall battery/ Replace fuse
C	Driving shorter distance per recharge	1. Check tire pressures 2. Recharge completely or have charger re-inspected 3. Replace with a battery
D	The power and the indicator lights are all on, with throttle or pedal assist, but the e-bike does not work	1. Controller needs to be replaced, or 2. Motor needs to be replaced
E	The power and the indicator lights are all on, bike works with throttle, but not with pedal assist	1. Controller needs to be replaced, or 2. Pedal assist module needs to be replaced, or 3. Motor needs to be replaced
F	The power and the indicator lights are all on, bike works with pedal assist, but not with throttle	1. Controller needs to be replaced, or 2. Throttle needs to be replaced, or 3. Motor needs to be replaced.
G	The power is on, and the throttle is twisted, but the bike does not work	1. Check battery to see if it needs to be charged, or 2. Fuse needs to be replaced, or 3. Controller needs to be replaced, or 4. Motor needs to be replaced

TROUBLESHOOTING

	PROBLEMS	SOLUTIONS
H	The switch is turned on, and the bike takes off without using the throttle	<ol style="list-style-type: none">1. Check if the throttle is stuck in the on position2. Lubricate or replace the throttle if it is faulty
I	After stopping, the bike does not start when the throttle is twisted	<ol style="list-style-type: none">1. Check whether the brake handles are fully released2. Check Solutions to Problems D, E, and F above
J	You connect the power to the charger, but the indicator light does not come on	<ol style="list-style-type: none">1. Check whether there is electricity to the charger2. If you have a voltage meter, you can check to see if the charger produces the correct current
K	You plug in the charger to the bike and the outlet, and the green light comes on instead of the red light. This means it not charging	<ol style="list-style-type: none">1. Check to see if the battery is fully charged.2. Check whether the charger is properly plugged to both the battery and the outlet.3. Check the voltage of the charger and battery.4. If "zero" voltage on the charger, then it needs to be replaced.5. If "zero" voltage from the battery, then check the fuse.



REVOLT

CONTACT US

Boekweitstraat 106
2153 GL, Nieuw-Vennep
The Netherlands

info@revoltbikes.nl

