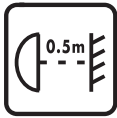
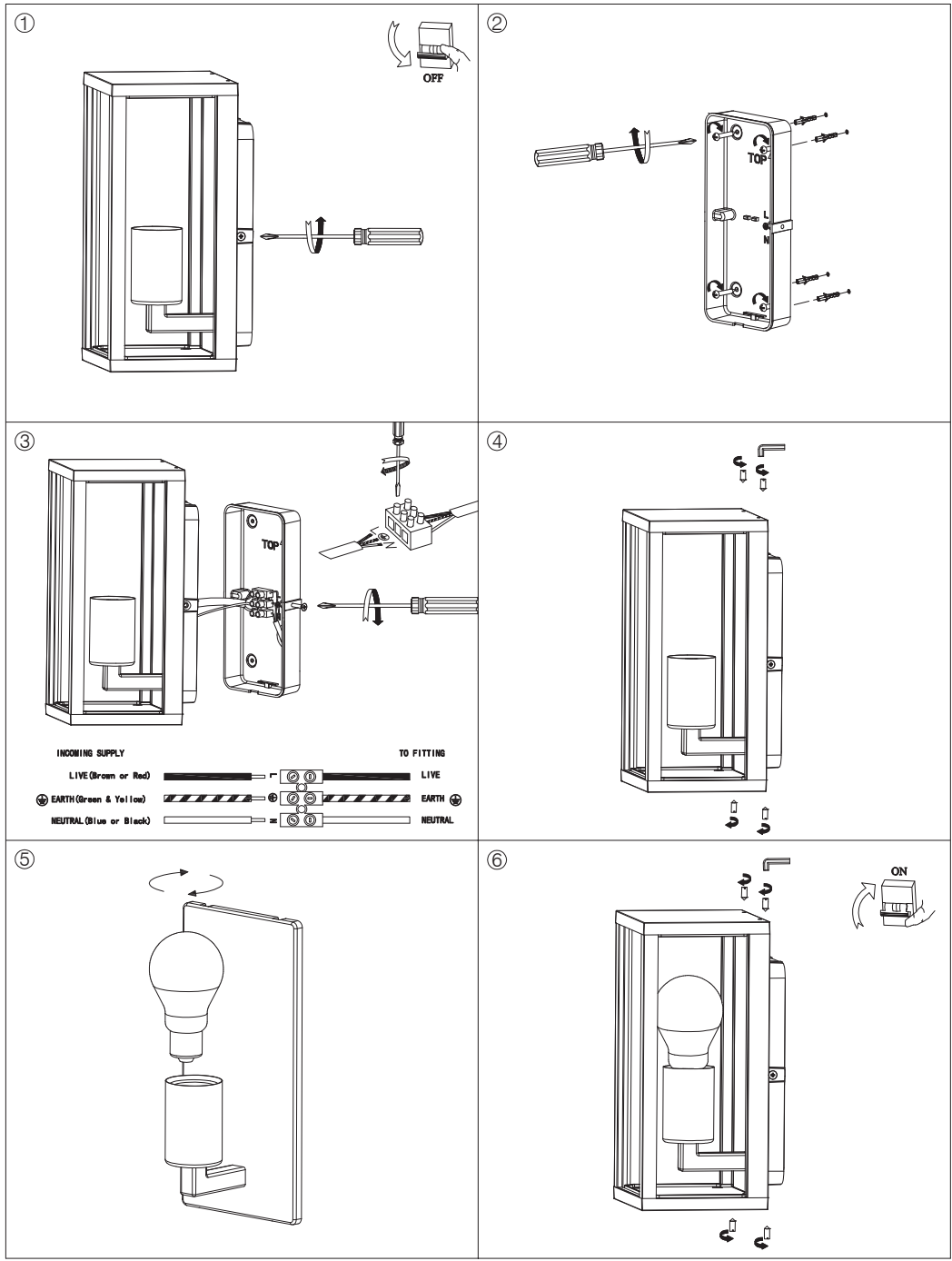


INSTRUCTION MANUAL



Charlois WL Black 26
102445



Overall Size:

