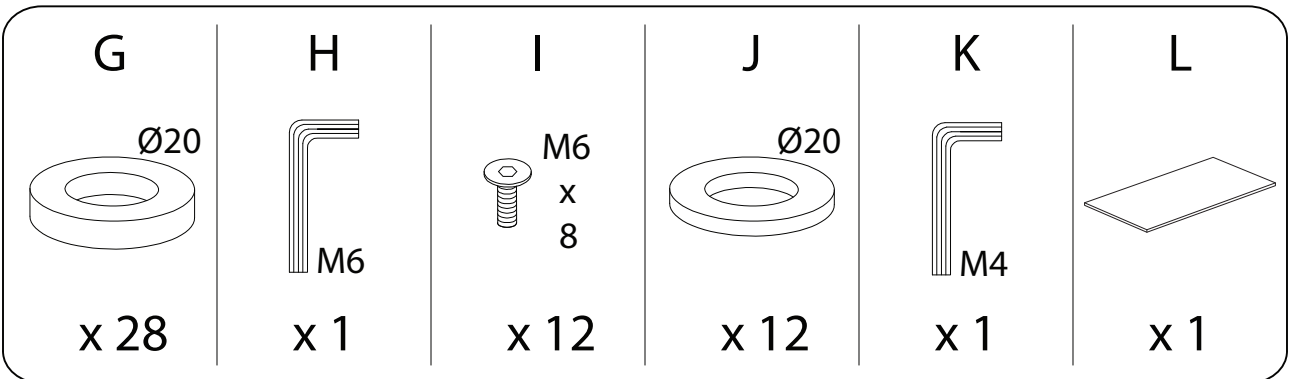
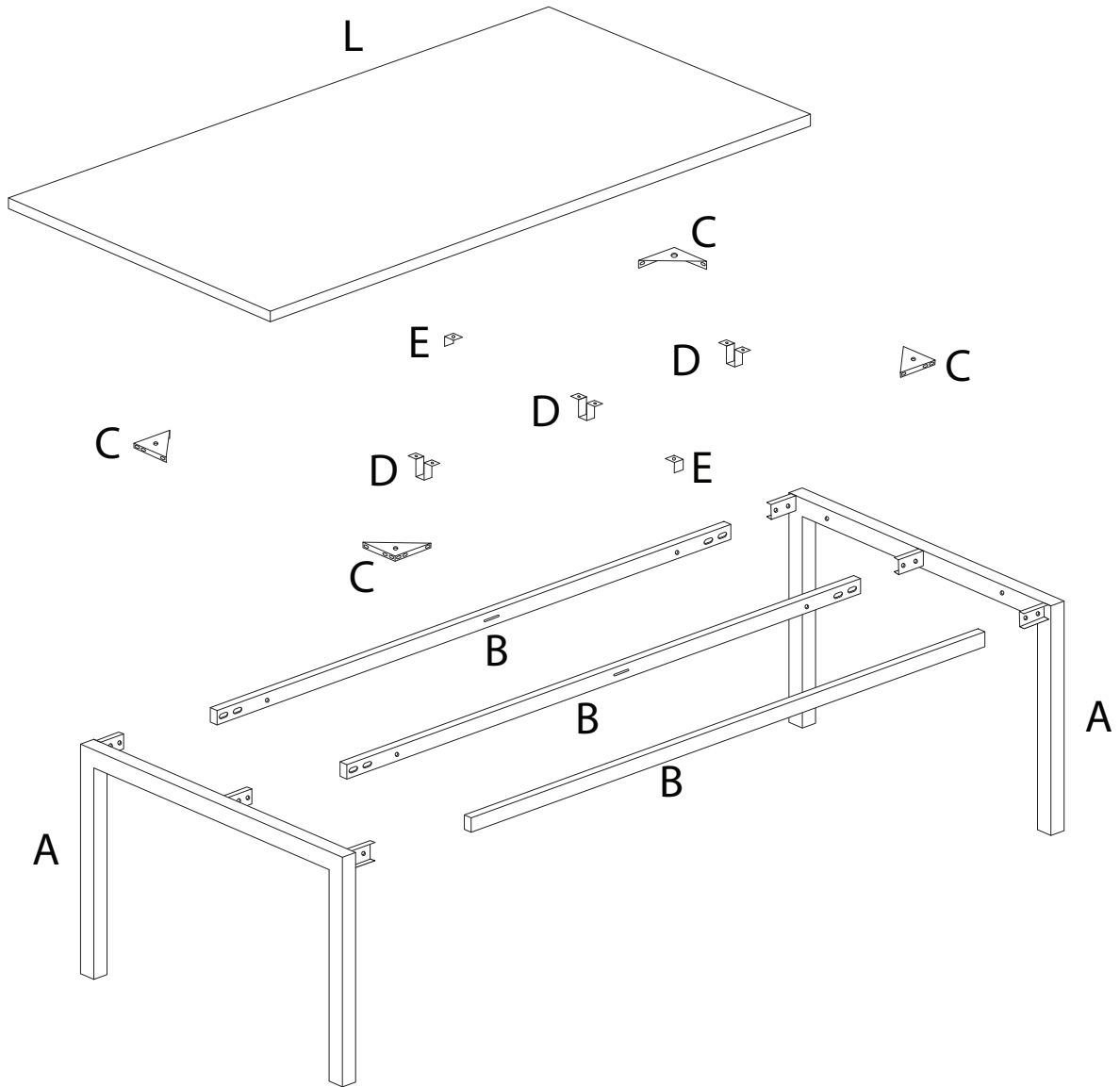
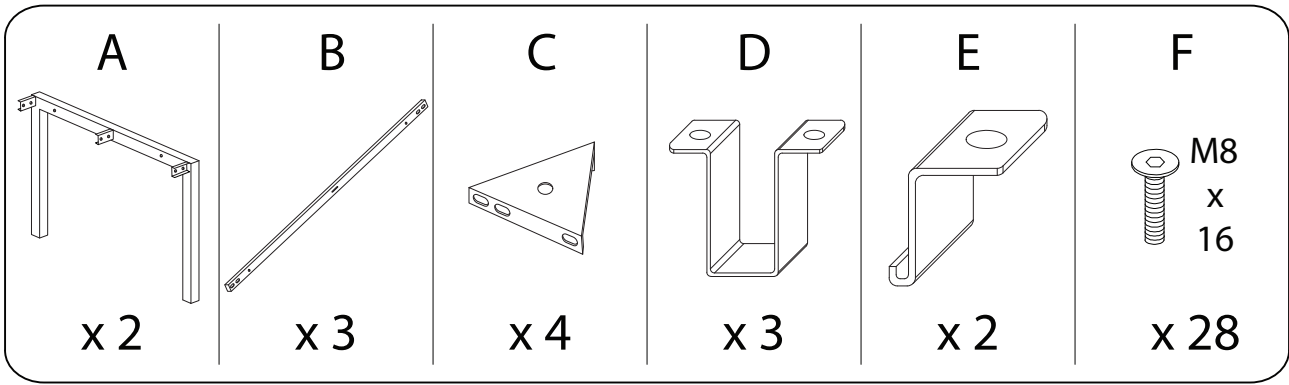
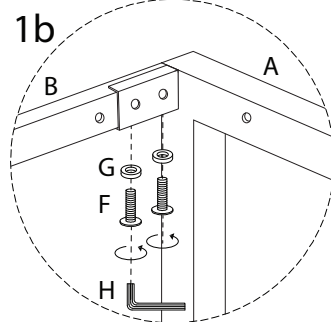
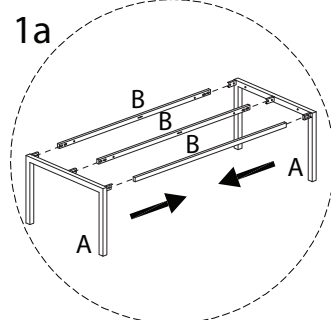
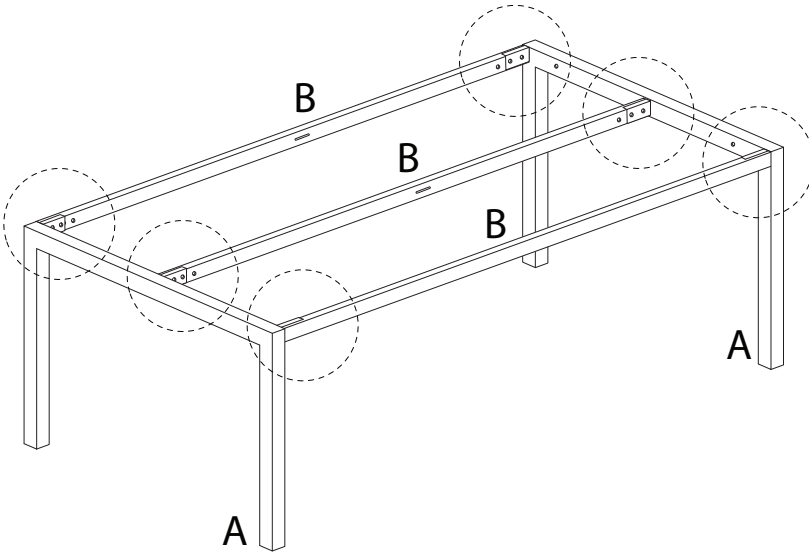
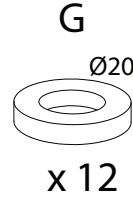
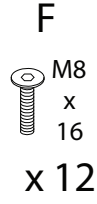
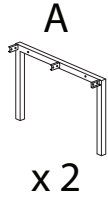


Diagram illustrating assembly instructions and safety warnings:

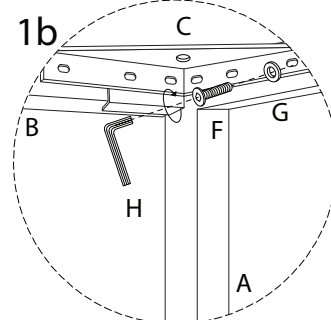
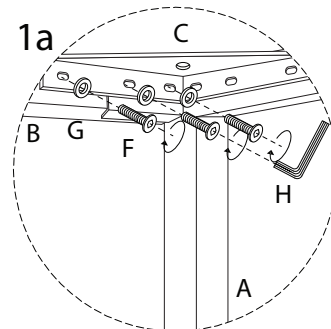
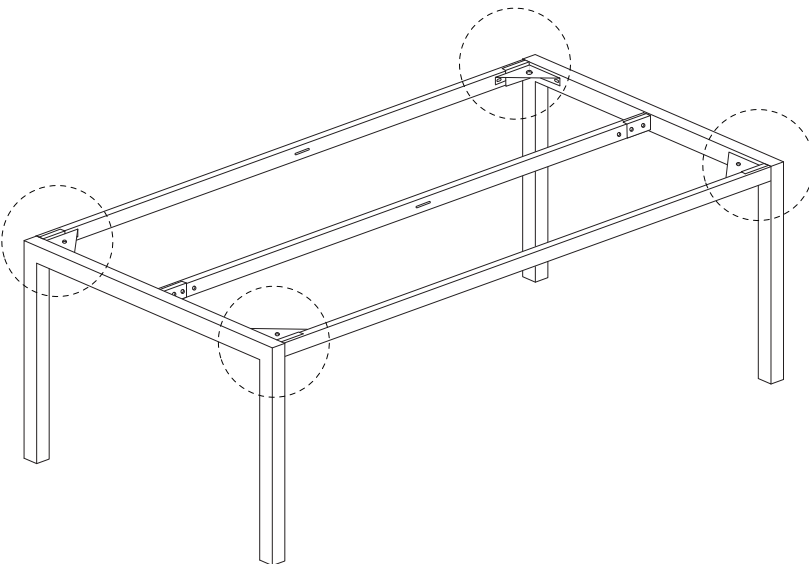
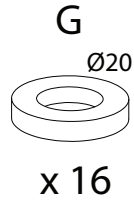
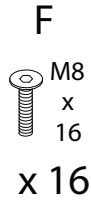
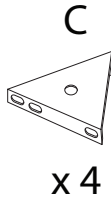
- Warning 1:** A warning triangle with an exclamation mark is shown next to a circular inset containing an L-shaped metal bracket and a crossed-out power drill icon, indicating that a power drill should not be used for this step.
- Warning 2:** A second warning triangle with an exclamation mark is shown next to a circular inset containing a rectangular block being placed on a surface and a crossed-out icon of a block being lifted, indicating a lifting or placement warning.
- Time:** A clock icon is shown next to the text "20'", indicating a 20-minute assembly time.
- Personnel:** An icon of a person is shown next to the number "2", indicating that two people are required for assembly.



1



2



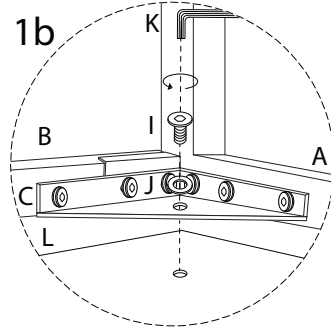
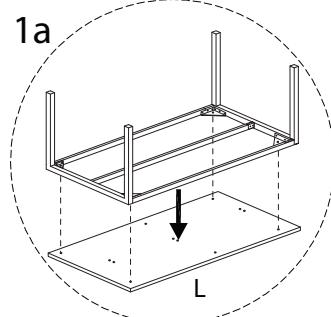
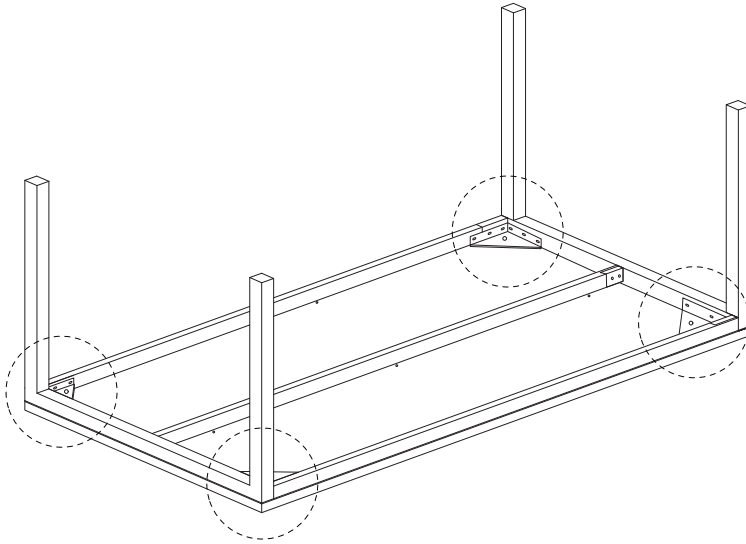
3

I
M6
x 8
x 4

J
Ø20
x 4

K
M4
x 1

L
x 1



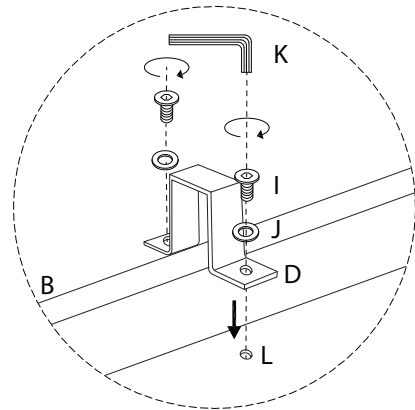
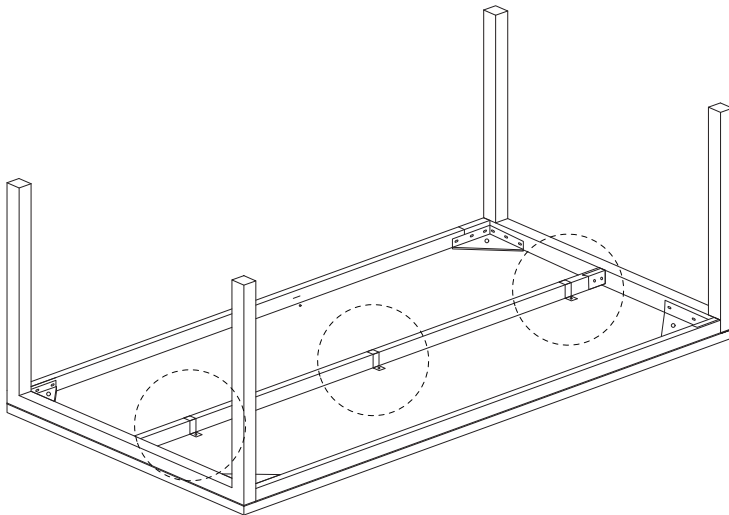
4

D
x 3

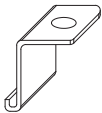


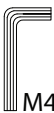
I
M6
x 8
x 6

J
Ø20
x 6

K
M4
x 1



5

<p>E</p>  <p>x 2</p>	<p>I</p> <p>M6 x 8</p>  <p>x 2</p>	<p>J</p> <p>Ø20</p>  <p>x 2</p>	<p>K</p> <p>M4</p>  <p>x 1</p>
--	--	--	--

