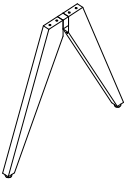
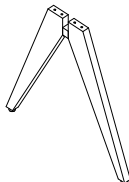
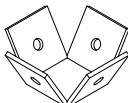
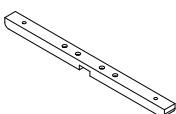
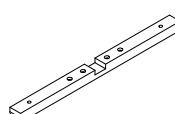
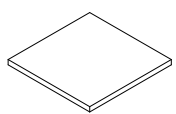
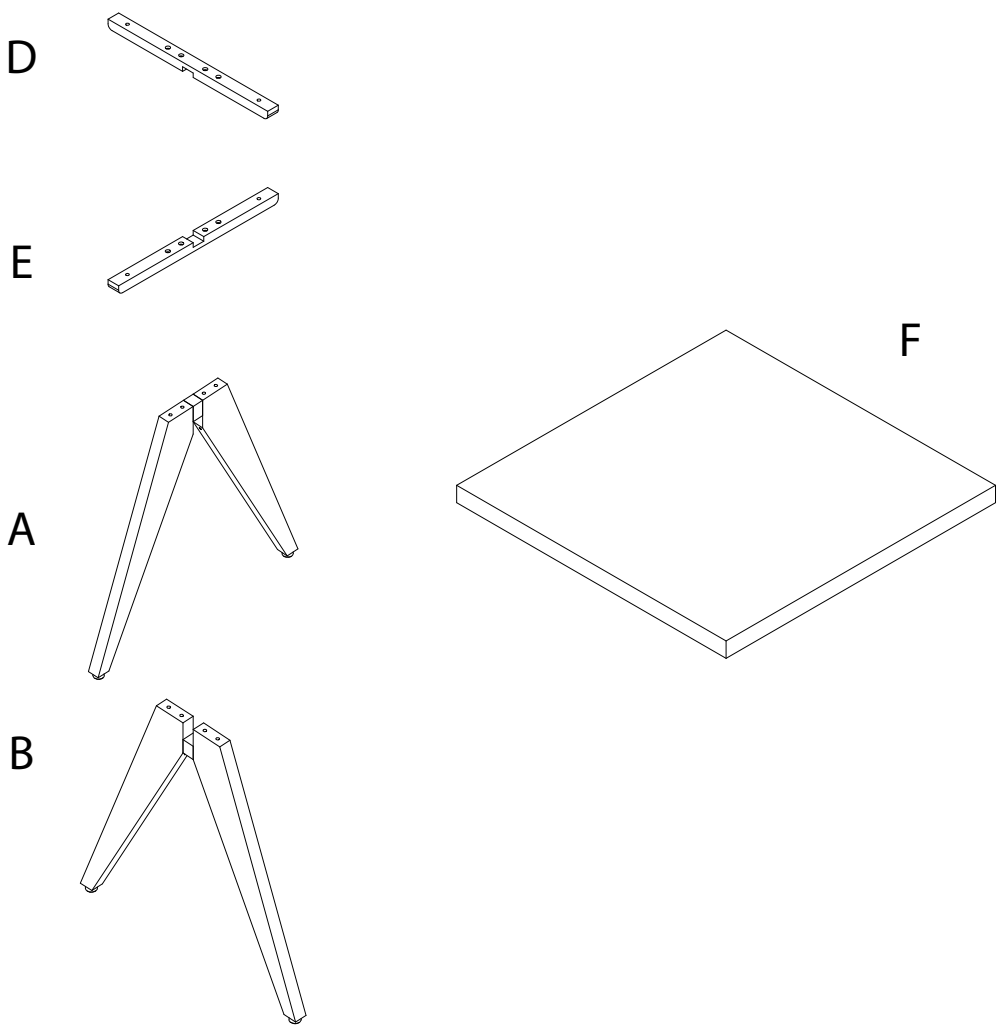
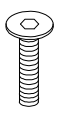
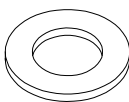
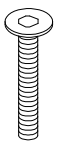
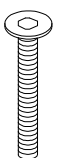
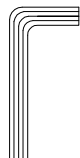
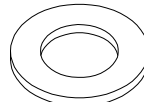


30'

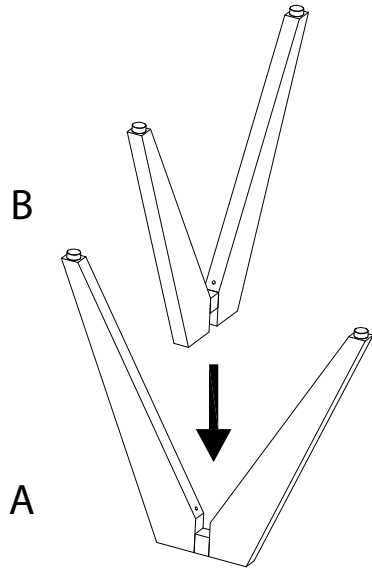
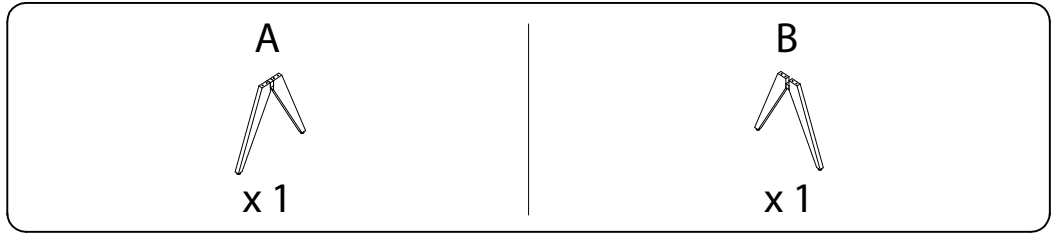
2

<b>A</b>	<b>B</b>	<b>C</b>	<b>D</b>	<b>E</b>	<b>F</b>
					
<b>x 1</b>	<b>x 1</b>	<b>x 1</b>	<b>x 1</b>	<b>x 1</b>	<b>x 1</b>

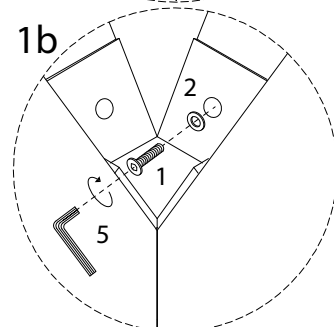
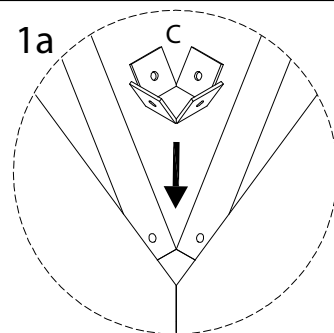
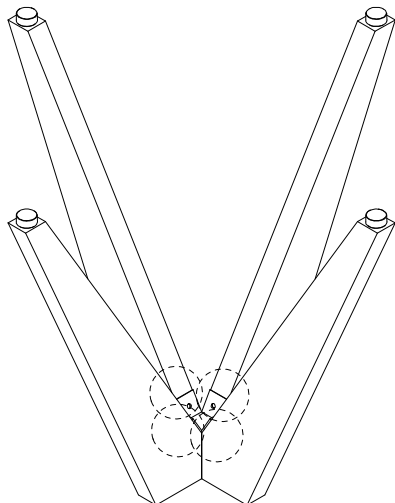


<b>1</b>	<b>2</b>	<b>3</b>	<b>4</b>	<b>5</b>	<b>6</b>
 M6 x 20		 M6 x 50	 M8 x 50		
<b>x 4</b>	<b>x 12</b>	<b>x 8</b>	<b>x 4</b>	<b>x 1</b>	<b>x 4</b>

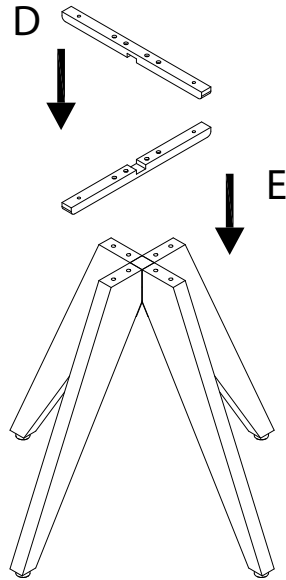
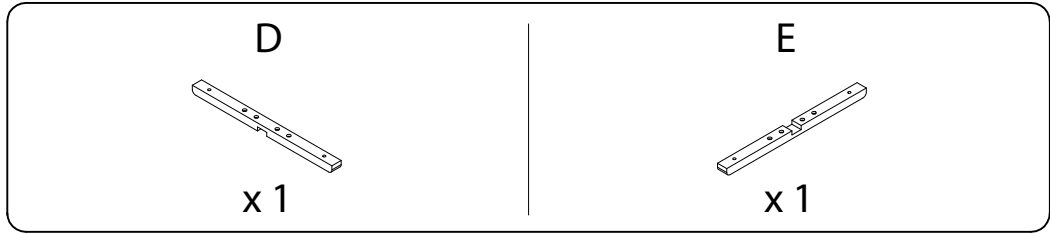
1



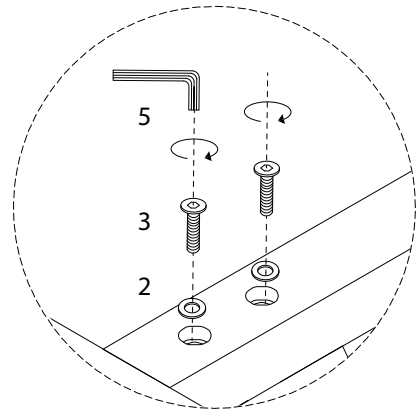
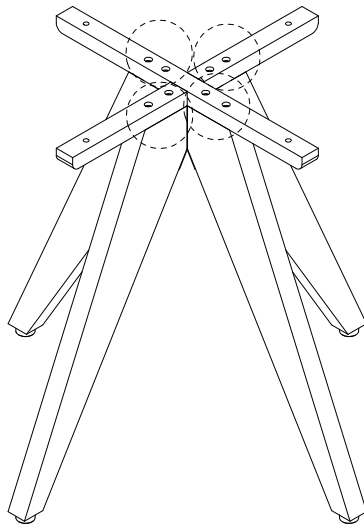
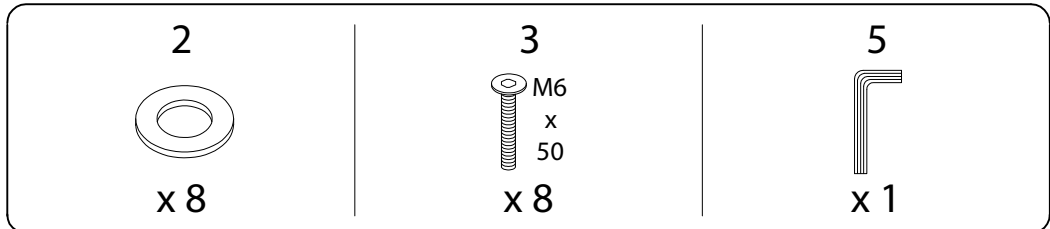
2



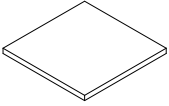
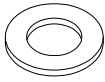

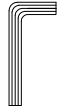
3



4



5

<p>F</p>  <p>x 1</p>	<p>6</p>  <p>x 4</p>	<p>4</p>  <p>M8 x 50</p> <p>x 4</p>	<p>5</p>  <p>x 1</p>
-------------------------------------------------------------------------------------------------------	-------------------------------------------------------------------------------------------------------	-------------------------------------------------------------------------------------------------------------------------------	---------------------------------------------------------------------------------------------------------

