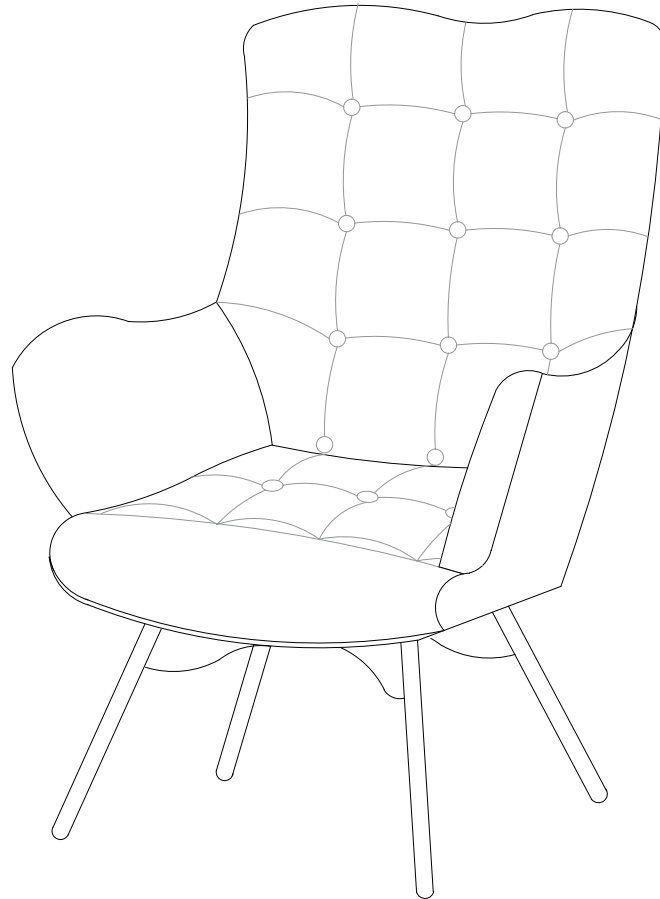
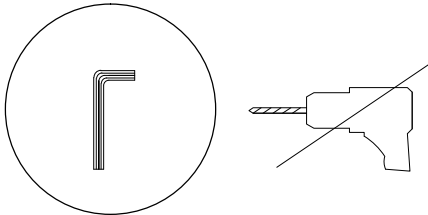

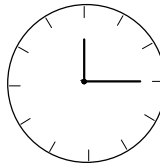
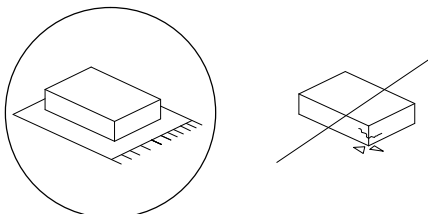
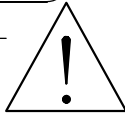
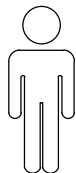
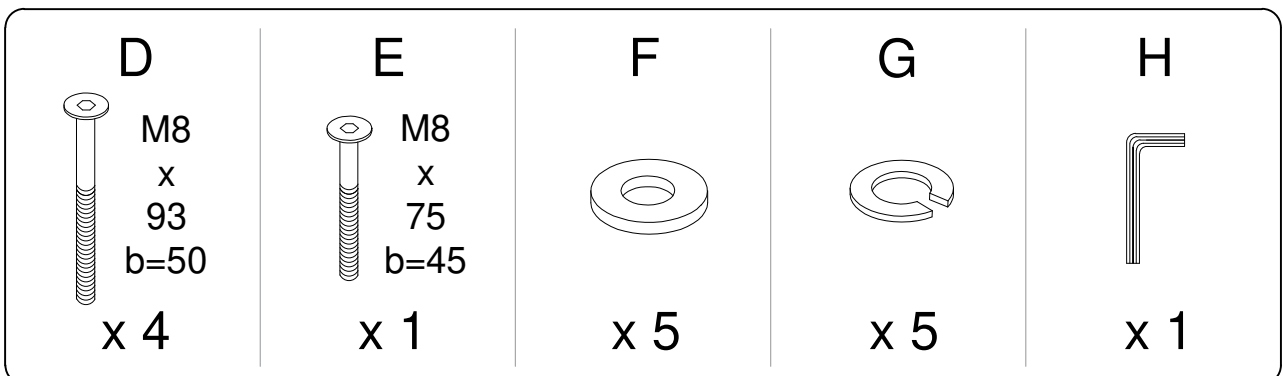
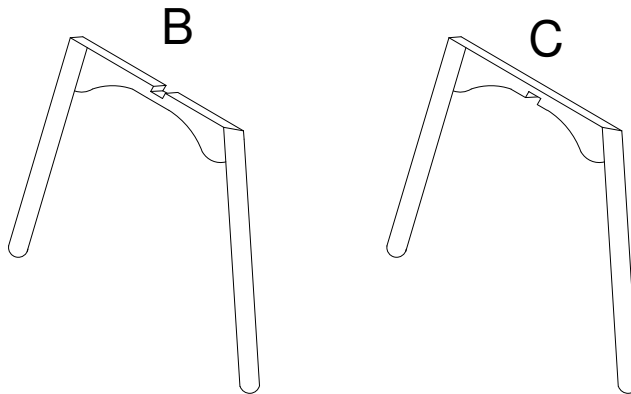
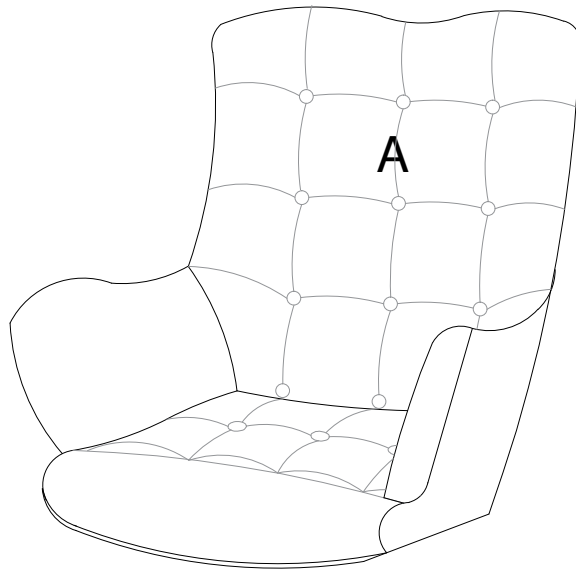
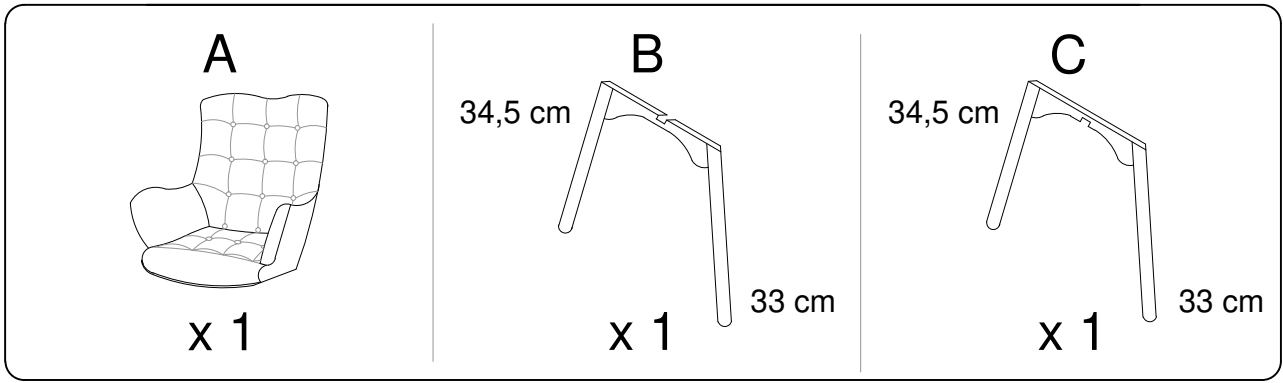


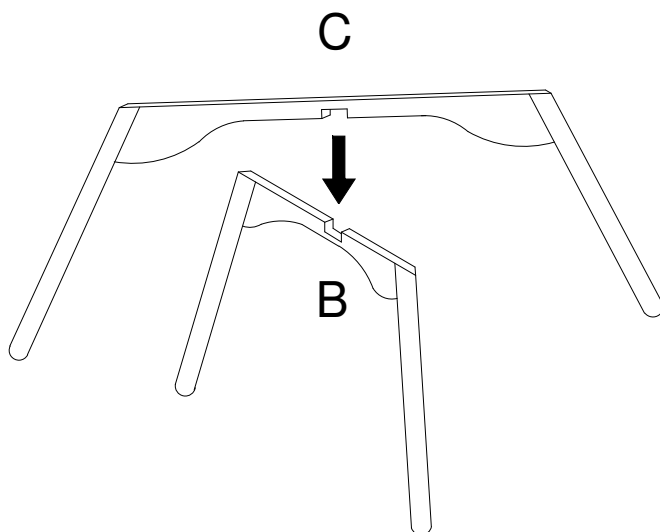
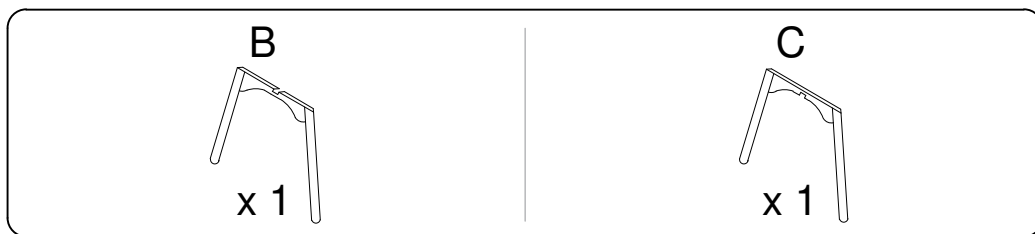
# A



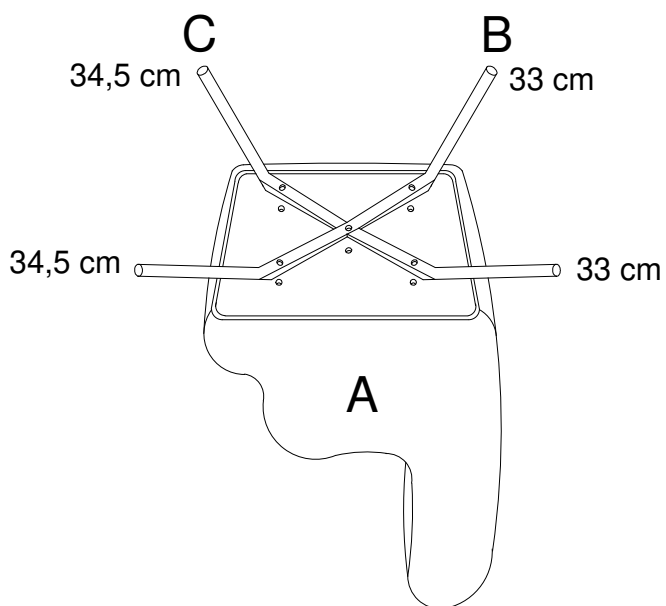
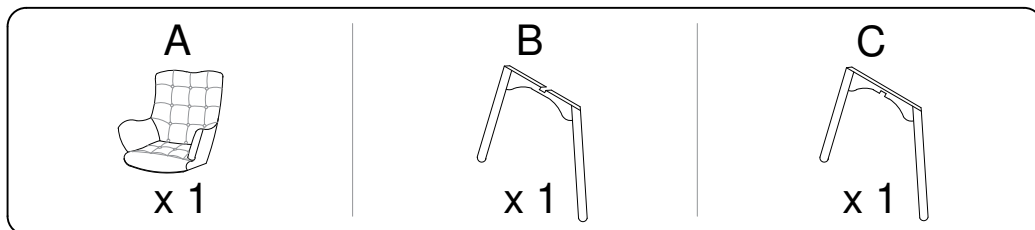
		
		<b>15'</b>
		
		<b>1</b>










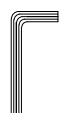
1

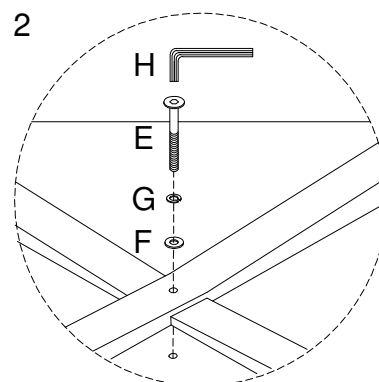
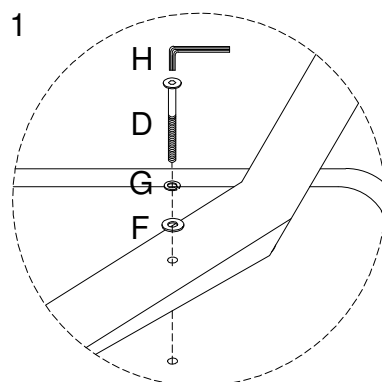
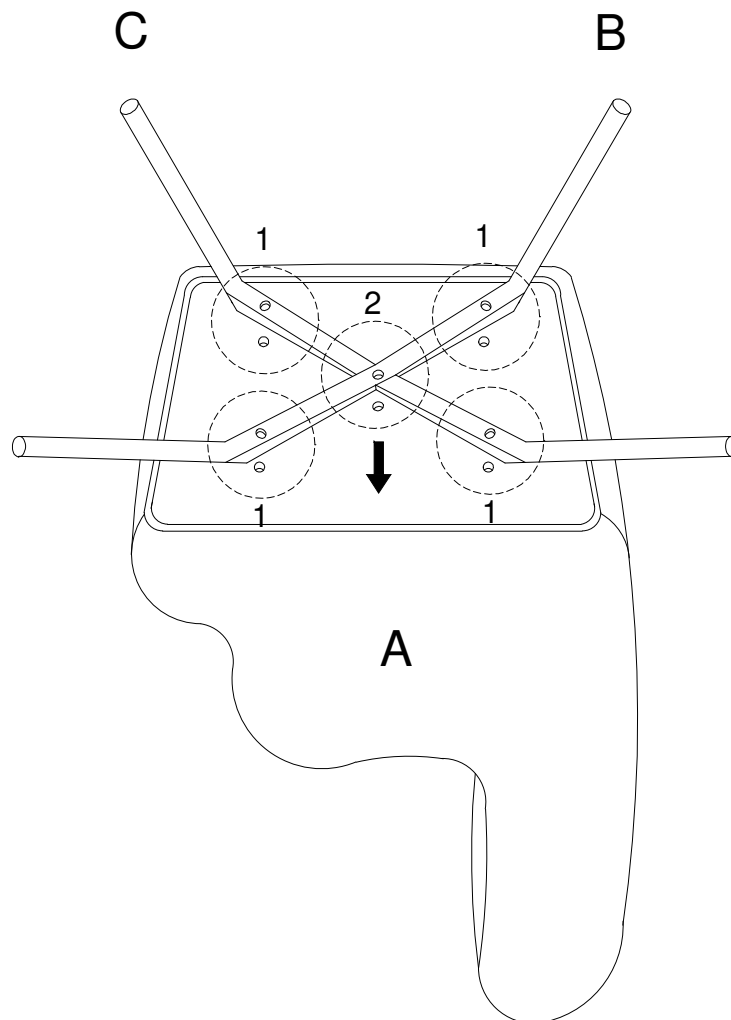


2

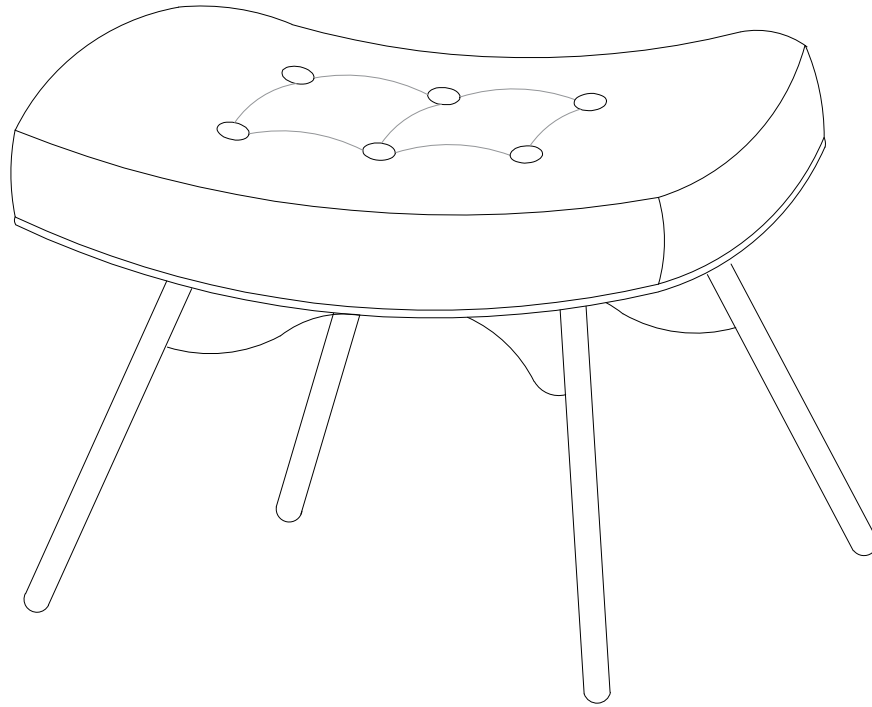


3

<p><b>A</b></p>  <p>x 1</p>	<p><b>B</b></p>  <p>x 1</p>	<p><b>C</b></p>  <p>x 1</p>	<p><b>D</b></p>  <p>M8 x 93 b=50</p> <p>x 4</p>
<p><b>E</b></p>  <p>M8 x 75 b=45</p> <p>x 1</p>	<p><b>F</b></p>  <p>x 5</p>	<p><b>G</b></p>  <p>x 5</p>	<p><b>H</b></p>  <p>x 1</p>



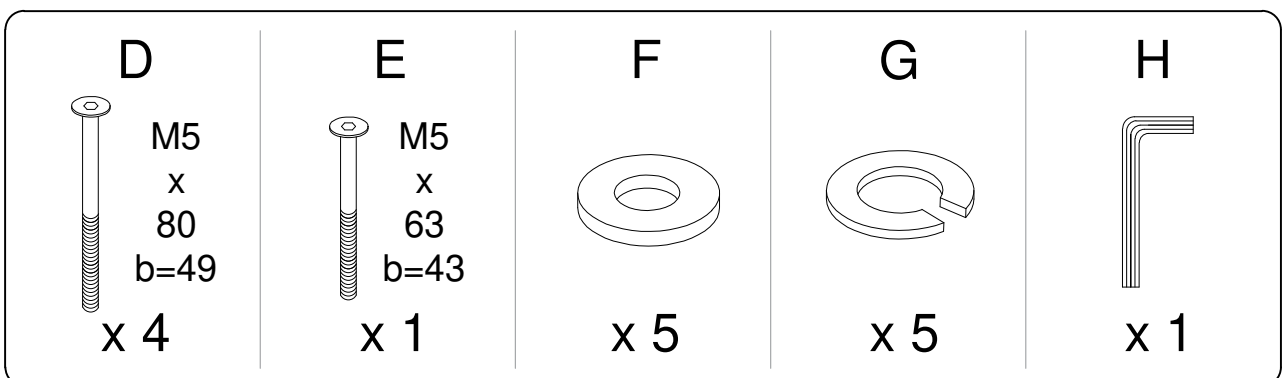
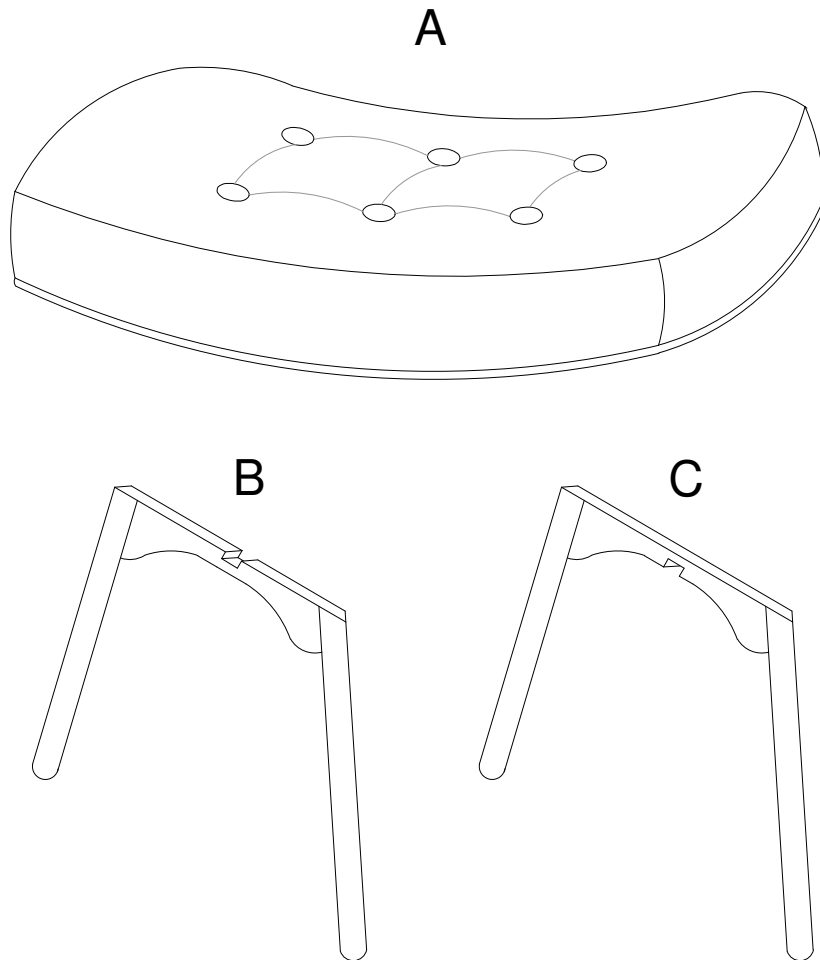
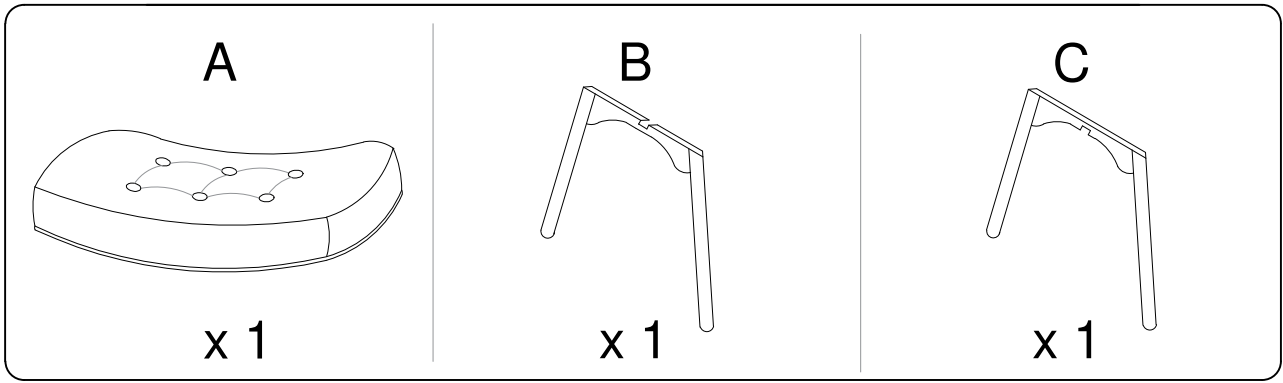
# B



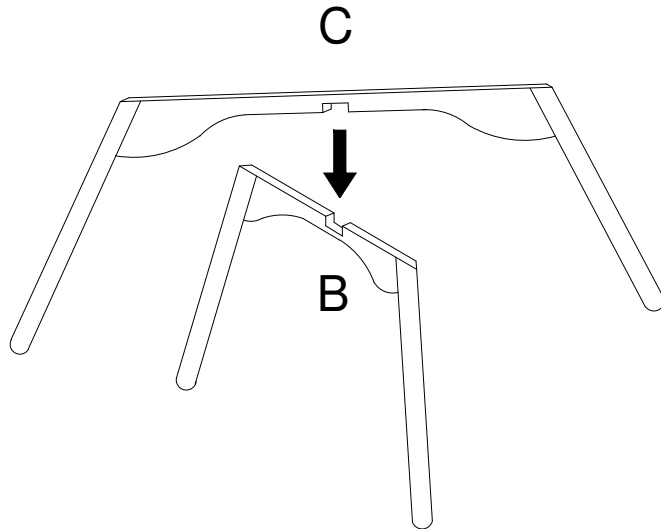
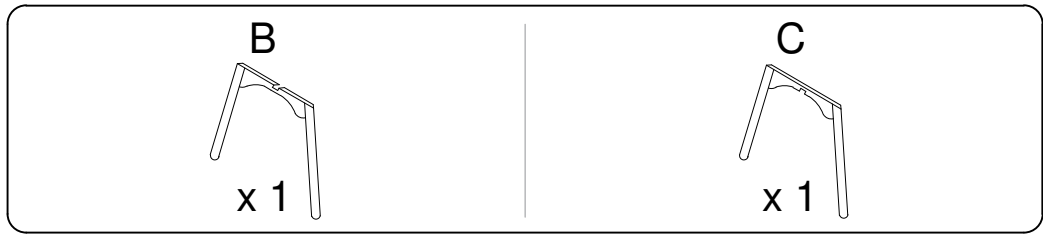
An icon showing an L-shaped metal bracket inside a circle. To its right is a power drill with a diagonal line through it, indicating it should not be used.	A warning triangle containing an exclamation mark.	A simple clock face with a vertical hour hand and a horizontal minute hand.
An icon showing a rectangular block being placed on a surface with a diagonal line through it. To its right is another rectangular block with a diagonal line through it, indicating it should not be lifted.	A warning triangle containing an exclamation mark.	A simple stick figure representing a person.

15'

1



1



2

