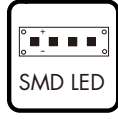


# INSTRUCTION MANUAL



## Drum CL LED

<p>1.</p>	<p>2.</p>	
<p>3.</p>	<p>4.</p>	
<p>5.</p>	<p>incl. LED 01942          1010lm Module          625lm Lamp          10W LED          220-240V~50Hz          2700K          CRI&gt;80          30000 h          15000 ON/OFF</p>	
<p>Drum CL LED 30</p> <p>Ceiling plate: LED Module 10W</p> <p>Overall size:</p> <p>12cm</p> <p>30cm</p>	<p>Drum CL LED 40</p> <p>Ceiling plate: LED Module 20W</p> <p>Overall size:</p> <p>12cm</p> <p>40cm</p>	<p>incl. LED 01943          2045lm Module          1255lm Lamp          20W LED          220-240V~50Hz          2700K          CRI&gt;80          30000 h          15000 ON/OFF</p>

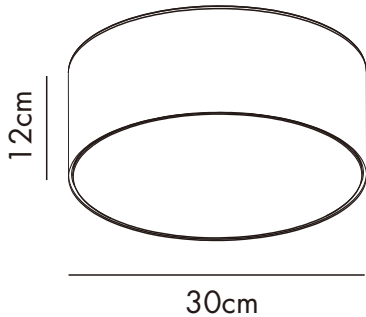
**FittinQ B.V.**

Smaragdweg 52, 5527 LB Hapert, The Netherlands  
 www.qazqa.nl

QAZQA

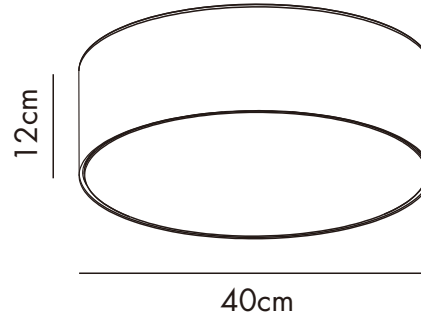
## Drum CL LED 30

10W LED  
incl.LED:01942  
220-240V~50Hz



## Drum CL LED 40

20W LED  
incl.LED:01943  
220-240V~50Hz



	QR	EAN
<p>(DE) Dieses Produkt enthält eine Lichtquelle der Energieeffizienzklasse F                      (EN) This product contains a light source of energy efficiency class F                      (FR) Ce produit comprend une source de lumière de classe d'efficience énergrgétique F                      (NL) Dit product bevat een lichtbron van energie-efficiëntieklasse F                      (PL) Produkt ten zawiera źródło światła o klasie efektywności energetycznej F                      (NO) Dette produktet inneholder en lyskilde i energieeffektivetsklasse F                      (DK) Dette produkt indeholder en lyskilde af energieeffektklasse F                      (SE) Denna produkt innehåller en ljuskälla i energieeffektivetsklass F                      (FI) Tämä tuote sisältää energiatehokkuusluokan E valonlähteen                      (IT) Questo prodotto contiene una sorgente luminosa della classe di efficienza energetica F                      (ES) Este producto contiene una fuente de luz de la clase de eficiencia energética F                      (CZ) Tento výrobek obsahuje světelný zdroj třídy energetické účinnosti F                      (PT) Este produto contém uma fonte de luz da classe de eficiência energética F                      (GR) Αυτό το προϊόν περιέχει μια φωτεινή πηγή ενεργειακής απόδοσης κλάσης F                      (SK) Tento výrobok obsahuje zdroj svetla triedy energetickej efektivity F</p>	<p>01942</p>	<p>087 18881057007(93868)                      087 18881057014(93869)                      087 18881057021(93870)                      087 18881057038(93871)                      087 18881057045(93872)                      087 18881057052(93873)</p>
	<p>01943</p>	<p>087 18881057069(93874)                      087 18881057076(93875)                      087 18881057083(93876)                      087 18881057090(93877)                      087 18881057106(93878)                      087 18881057113(93879)</p>

	<p>(DE) Durch einen Fachmann austauschbare Lichtquelle (nur LED)                      (EN) Replaceable (LED only) light source by a professional.                      (FR) Source de lumière remplaçable (LED uniquement) par un professionnel.                      (NL) Lichtbron (alleen led) te vervangen door een professional.                      (PL) Wymienne (tylko LED) źródło światła wykonane przez profesjonalistę.                      (NO) Utskiftbar ( kun LED) lyskilde av en profesjonell.                      (DK) Udskifelig lyskilde (kun LED), udskies af en elektriker.                      (SE) Ljuskälla (endast LED) utbytbar genom fackman.                      (FI) Ammattilainen voi vaihtaa vaihdedavan (vain LED) valonlähteen.                      (IT) Sorgente luminosa (solo LED) sostituibile da un professionista.                      (ES) Fuente de luz (solo LED) sustituible por un profesional.                      (CZ) Vyměnitelný (pouze LED) světelný zdroj odborníkem.                      (PT) Luz LED (apenas LED) substituível por um profissional.                      (GR) Η πηγή φωτός (μόνο LED) να αντικαθίσταται από επαγγελματία.                      (SK) Zdroj svetla (iba LED) vymeniteľný prostredníctvom odborníka.</p>
--	--

	<p>(DE) Durch einen Fachmann austauschbares Betriebsgerät.                      (EN) Replaceable control gear by a professional.                      (FR) Contrôleur remplaçable par un professionnel.                      (NL) Voorschakelapparatuur te vervangen door een professional.                      (PL) Wymienny układ sterujący przez profesjonalistę.                      (NO) Utskiftbar kontrollutstyr av en profesjonell.                      (DK) Udskifelig igangsætt, udskies af en elektriker.                      (SE) Styrdon utbytbar genom fackman.                      (FI) Ammattilainen voi vaihtaa vaihdedavaavat ohjusleet.                      (IT) Dispositivo di controllo sostituibile da un professionista.                      (ES) Dispositivo de control sustituible por un profesional.                      (CZ) Vyměnitelný předřadník odborníkem.                      (PT) Dispositivo de controlo substituível por um profissional.                      (GR) Ο εξοπλισμός ελέγχου να αντικαθίσταται από επαγγελματία.                      (SK) Predradník vymeniteľný prostredníctvom odborníka.</p>
--	--

### FitinQ B.V.

Smaragdweg 52, 5527 LB Hapert, The Netherlands  
www.qazqa.nl

QAZQA

# SAFETY INSTRUCTION

Please study the instruction manual and below information carefully before installing or using this product. Please keep this user manual for further reference

1. The luminaires may only be installed by authorized and qualified technicians according the valid regulations for electrical installation.
2. Maintenance of the luminaires is limited to their surfaces. During maintenance no moisture can come into contact with any areas of the terminal connections or voltage control parts.
3. The electrical supply must be switched off at the outset, preferably by means of a switch in the distribution box, before any installation, maintenance or repair work is undertaken.
4. Exterior lighting must not be installed during rain.
5. Take account of the minimal separation distance from other objects and the room required around the fitting.
6. If in any doubt, consult a professional, taking local installation requirements into account. Some countries stipulate that lighting may be installed only by registered installers.
7. Clamping screws in electrical connections must be adequately tightened. This is particularly the case with 12V low voltage conductors.
8. Clean with a clean, dry cloth or brush, use no solvents or abrasives. Avoid dampness on all electrical components
9. Take account of all available technical information.
10. Meaning of symbols:



For indoor use only, where direct contact with water is impossible



This icon indicates the level of water-proof and dust-proof



Protection Class I: the fitting must be earthed



Protection Class II: the fitting is doubled insulated and does not require earthing



Protection Class III: the fitting is low voltage



Minimum distance from lighted objects (meters)



The type of lamp and maximum size and wattage indicated in each lighting unit must not be exceed; different items require different kind of light sources with different bulb icons



The armature is designed to work only with the indicated voltage. Different items require different working voltage.



The luminaire can be used in combination with a dimmer

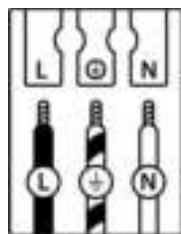


The reference light angle and light space of the luminaire



This luminaire cannot be disposed together with normal domestic waste in standard rubbish can, but you have to bring it to a staging area for electrical waste

11. Take note of the symbols when connecting wires:



	(DE)	(GB)	(FR)	(NL)	(PL)	(NO)	(DK)
<b>L</b>	Stromführender Leiter	Live conductor	Conducteur	Spanningvoerende draad	Przewód prądowy	Strømførende leder	Strømførende leder
	Schutzleiter	Earth conductor	Conducteur de protection (terre)	Aardkabel	Przewód uziemiający	Jordledningen	Jordledningen
<b>N</b>	Neutralleiter	Neutral conductor	Conducteur neutre	Nulleider	Przewód zerowy	Nøytralleider	Neutralleider
	(SE)	(FI)	(IT)	(ES)	(CZ)	(PT)	(GR)
<b>L</b>	Strömförande ledare	Virtajohdin	Conduttore sotto tensione	Conductor de corriente	Vodič pod napětím	Condutor vivo	Ρευματοφόρος αγωγός
	Skyddsledare	Suojajohdin	Conduttore di terra	Conductor de protección	Ochranný vodič	Condutor de	Αγωγός γείωσης
<b>N</b>	Neutralledare	Nollajohdin	Conduttore neutro	Conductor neutro	Neutrální vodič	Condutor neutro	Ουδέτερος αγωγός