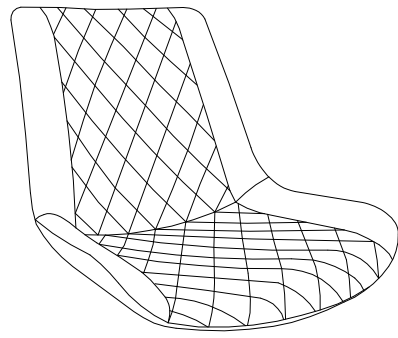
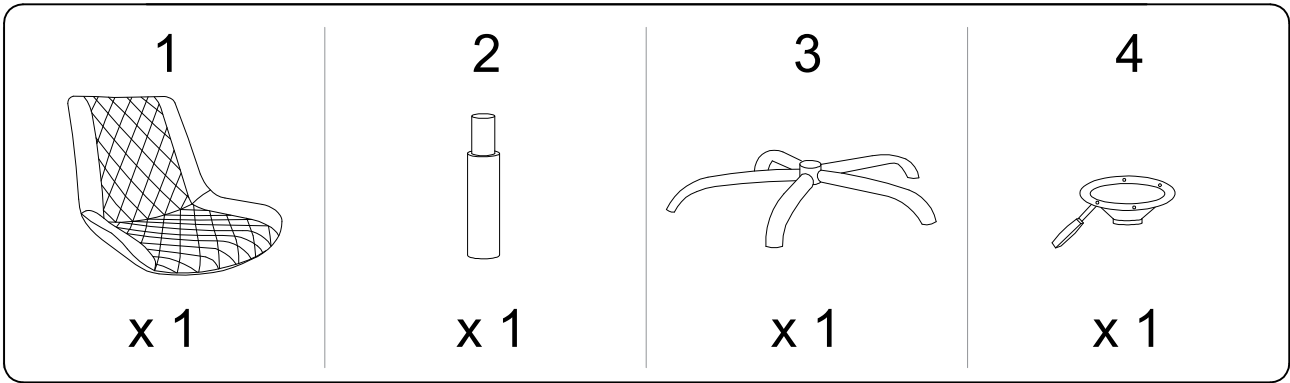


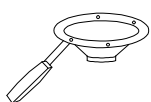


Diagram illustrating assembly instructions and safety warnings:

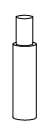
- Warning 1:** A triangle with an exclamation mark. Below it, a box contains:
 - An icon of an L-shaped metal bracket.
 - An icon of a power drill with a slash through it, indicating that a power drill should not be used.
- Warning 2:** A triangle with an exclamation mark. Below it, a box contains:
 - An icon of a rectangular block being placed on a textured surface.
 - An icon of a rectangular block with a slash through it, indicating that the block should not be placed on a hard surface.
- Time:** A clock icon with the text "30'" below it, indicating a 30-minute assembly time.
- Person:** An icon of a person with the text "1" below it, indicating that one person is required for assembly.



1



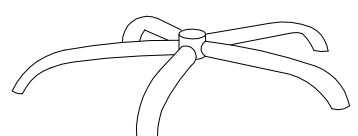
4



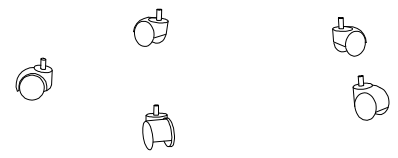
2



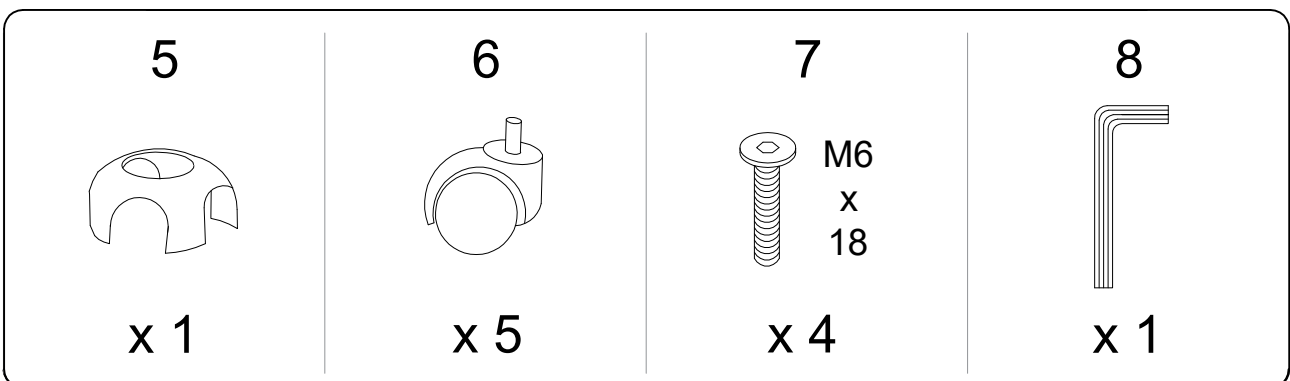
5



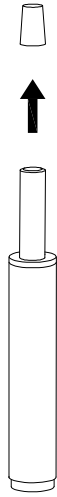
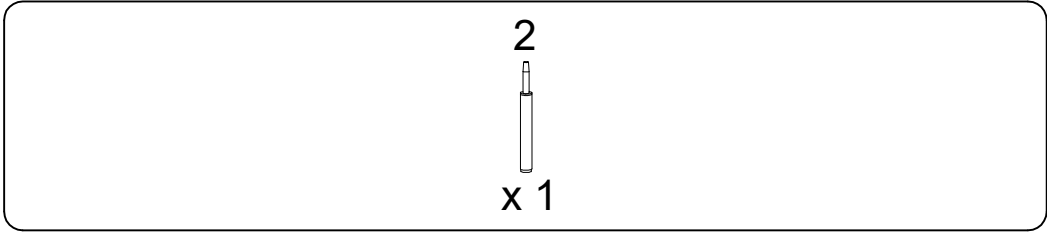
3



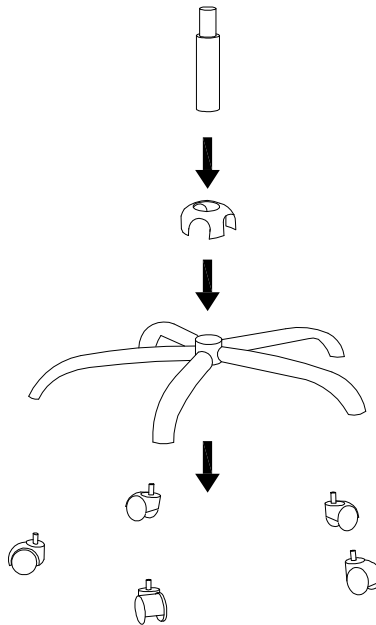
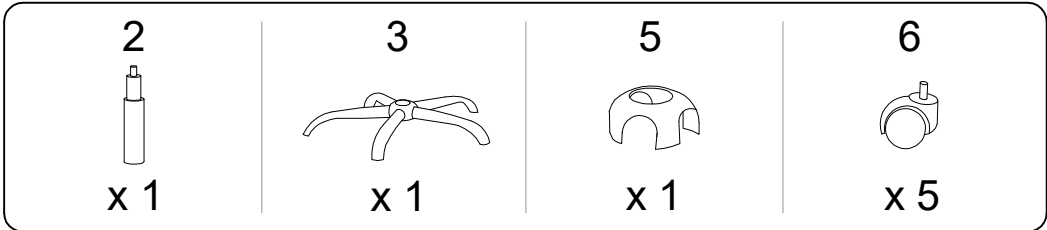
6 x 5




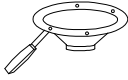
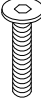
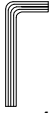
!

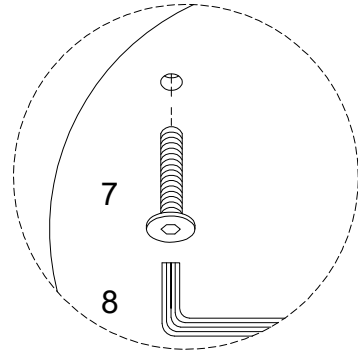
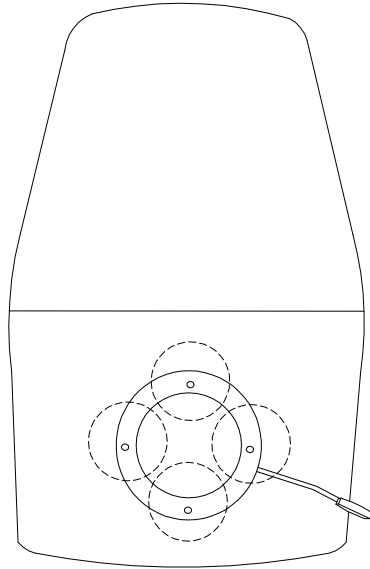


1



2

<p>1</p>  <p>x 1</p>	<p>4</p>  <p>x 1</p>	<p>7</p>  <p>M6 x 18</p> <p>x 4</p>	<p>8</p>  <p>x 1</p>
---	---	---	---



3

