





CARDIO FIT T5 TREADMILL

GB	User manual	14 - 21
DE	Benutzerhandbuch	22 - 30
FR	Manuel de l'utilisateur	31 - 39
NL	Gebruikershandleiding	40 - 48
IT	Manuale d'uso	49 - 57
ES	Manual del usuario	58 - 66
SV	Bruksanvisning	67 - 74
SU	Käyttöohje	75 - 82

TUNTURI®	
Cardio Fit T5	
SKU: 21TCFT0050	
INPUT: 220-240V-AC/ 50/ 60 Hz. 220V AC/ 5A 1.1KW	
MAX USER WEIGHT: 100 KGS HOME USE 220 LBS	
Serial nr:	



Attention, Achtung, Attention, Attentie, Attenzione, Atención, Giv akt, Huomio

- **Please read this user manual carefully prior to using this product.**
- Lesen Sie sich vor dem Gebrauch des Produkts diese Bedienungsanleitung sorgfältig durch.
- Veuillez lire attentivement le présent manuel de l'utilisateur avant d'utiliser ce produit.
- Lees deze gebruikershandleiding zorgvuldig voordat u dit product gaat gebruiken.
- Leggere attentamente questo manuale dell'utente prima di utilizzare il prodotto.
- Antes de utilizar este producto, lea atentamente este manual de usuario.
- Läs den här användarhandboken noggrant före användning av den här produkten.
- Lue tämä käyttöohje huolellisesti ennen tämän tuotteen käyttöä.





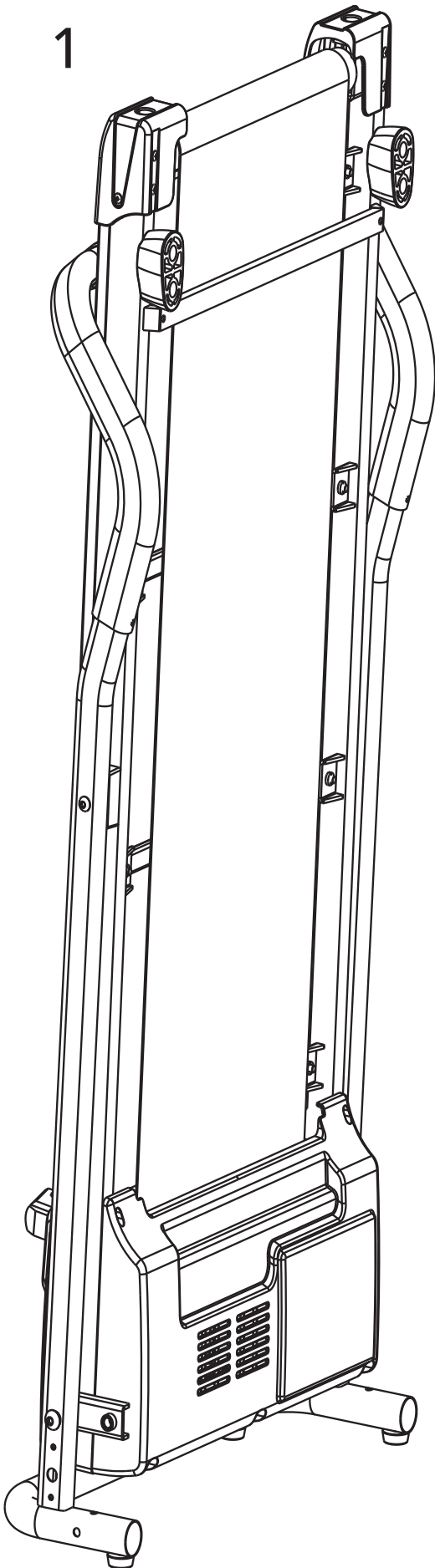
A



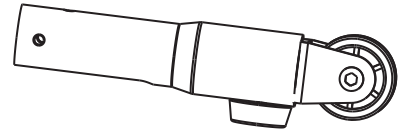


B

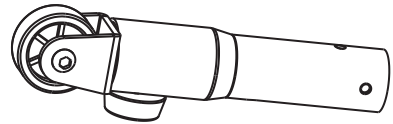
1



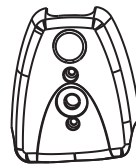
4



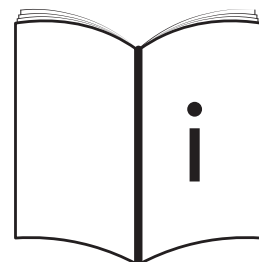
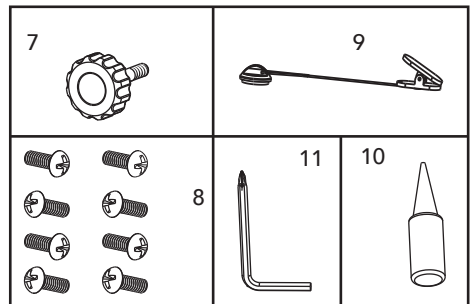
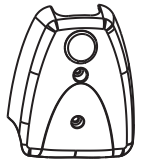
5



2

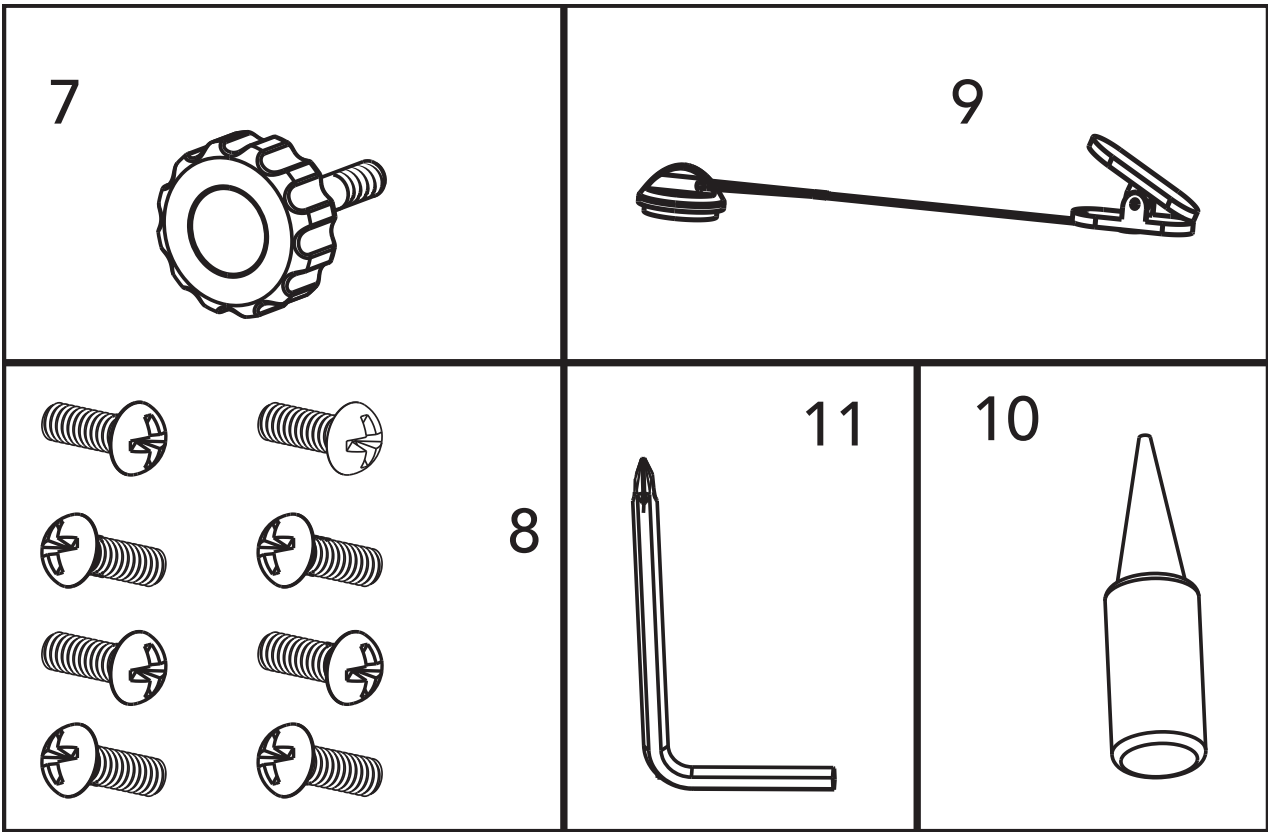


3

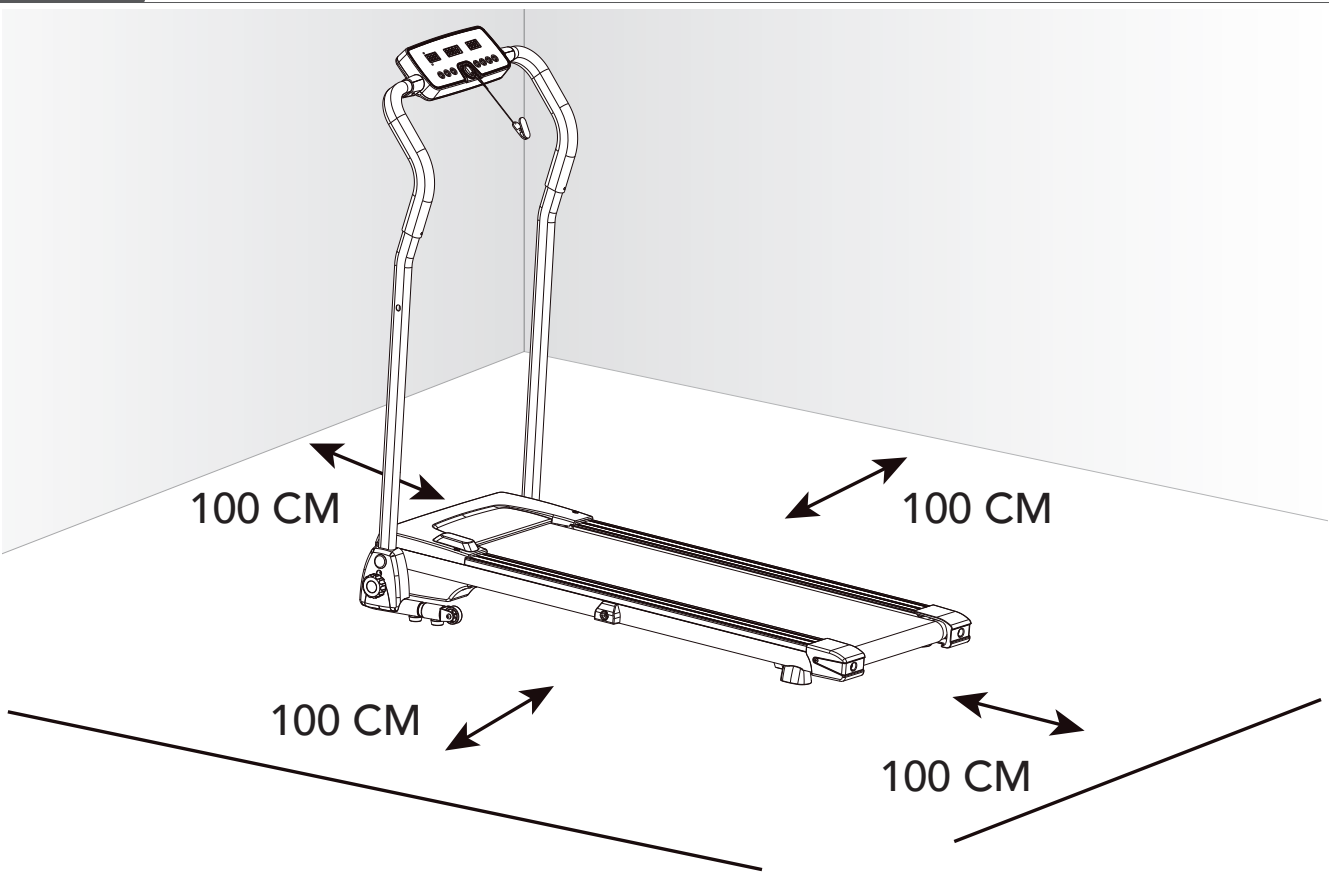




C



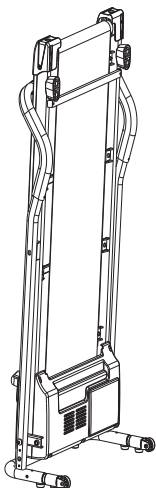
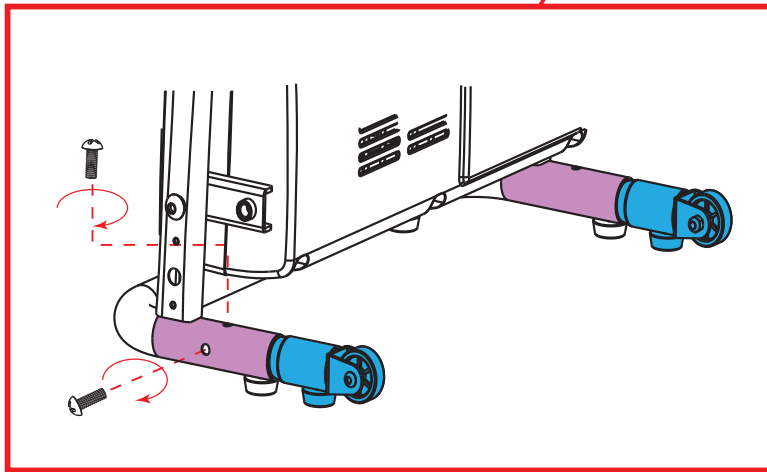
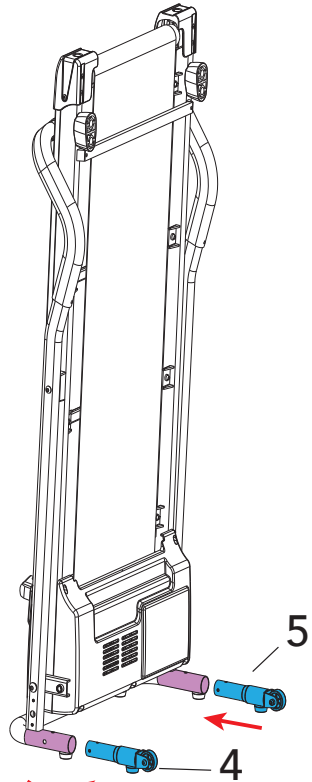
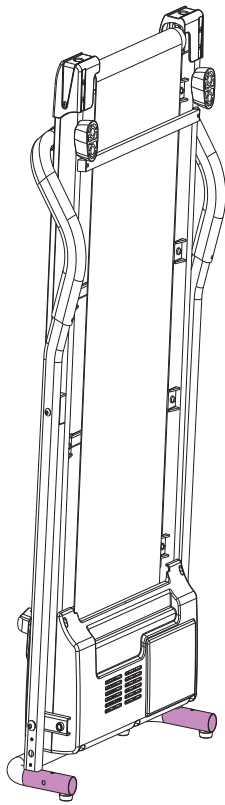
D-0





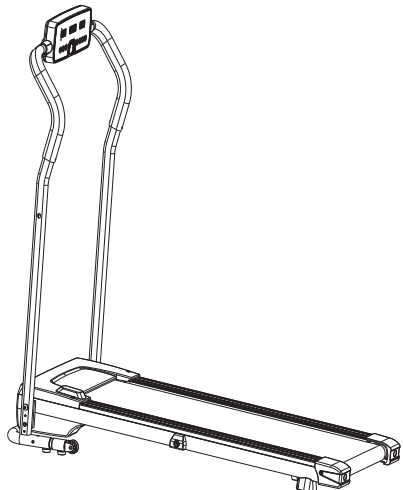
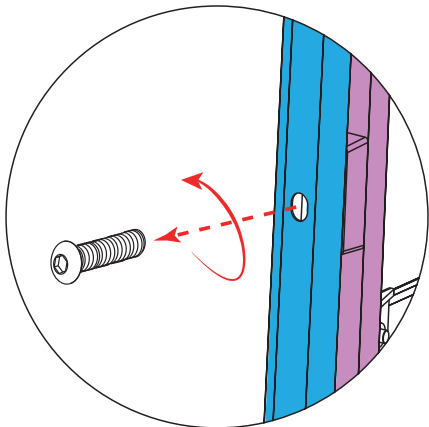
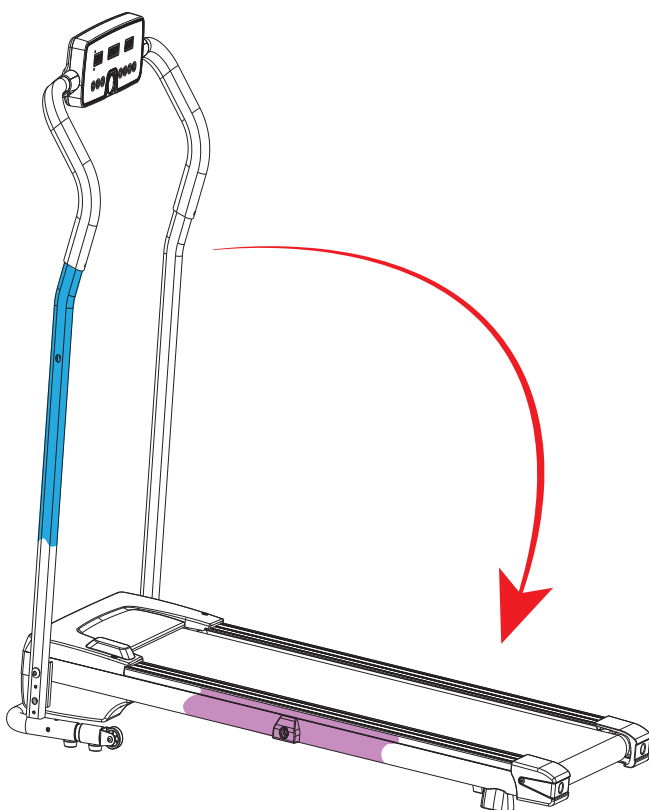
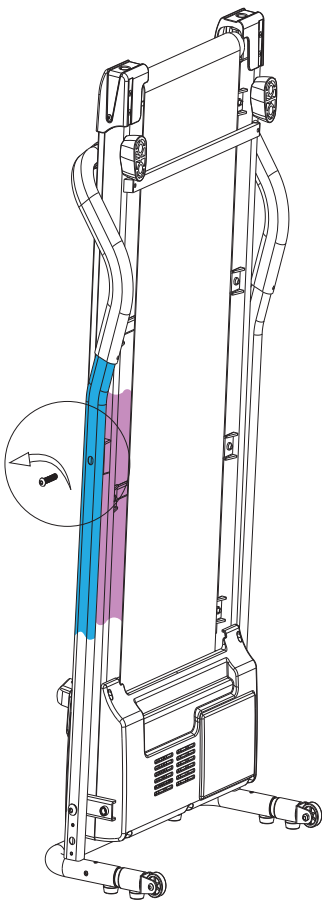
Cardio Fit T5 Treadmill

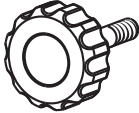

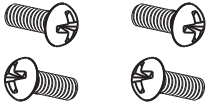
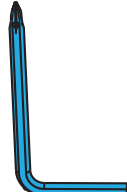

D-01



7 	9 	
8 	11 	10

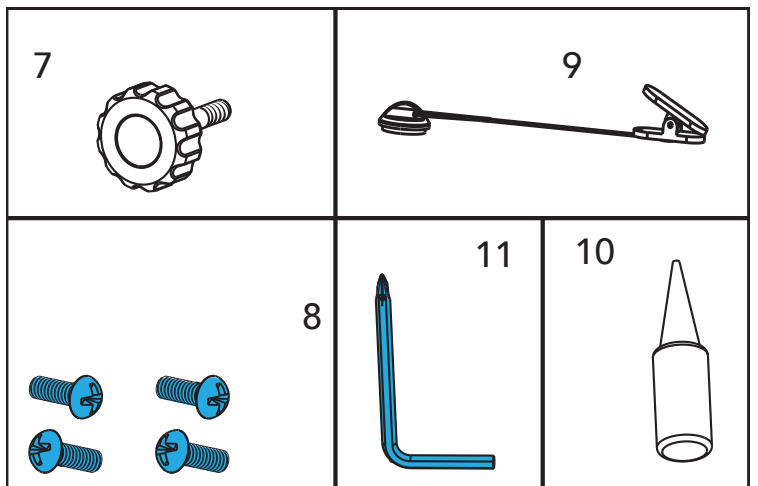
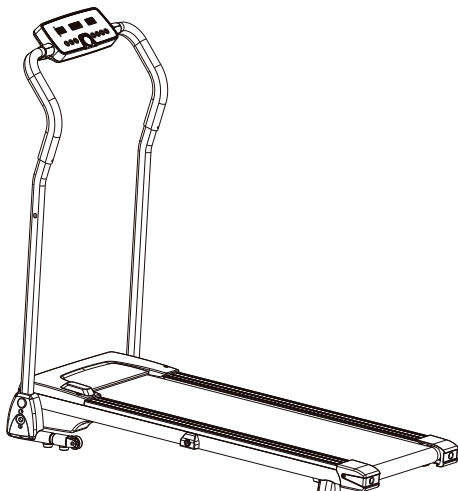
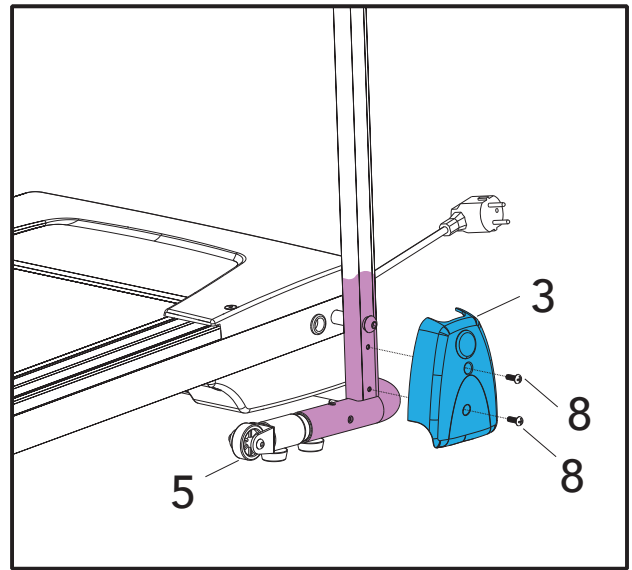
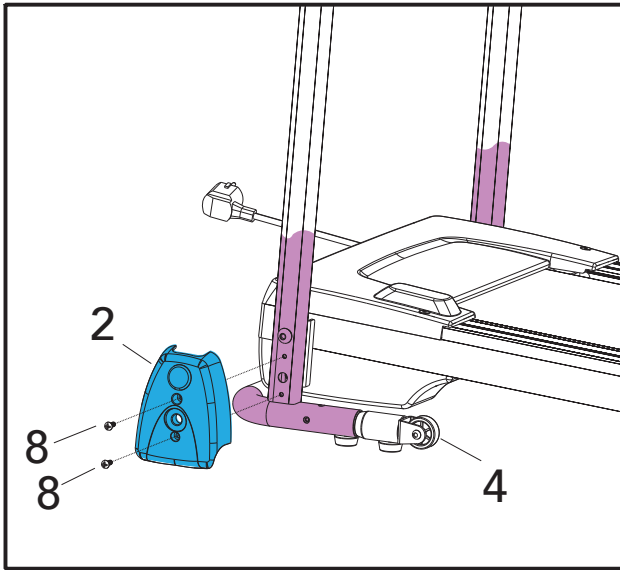
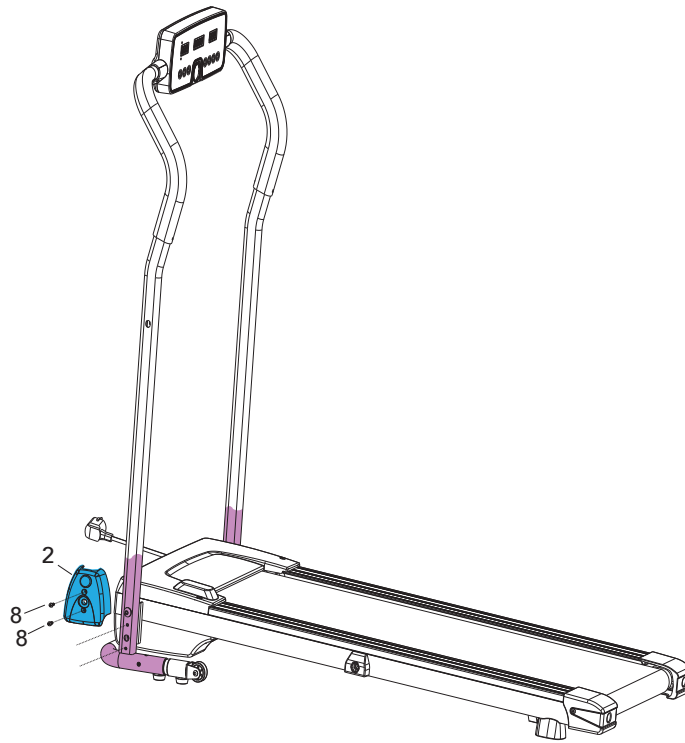
D-02



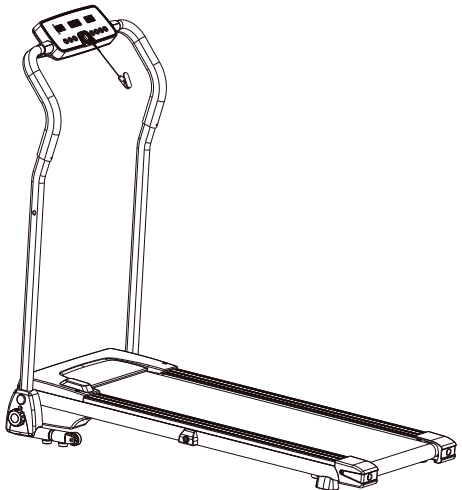
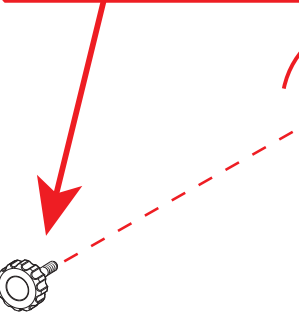
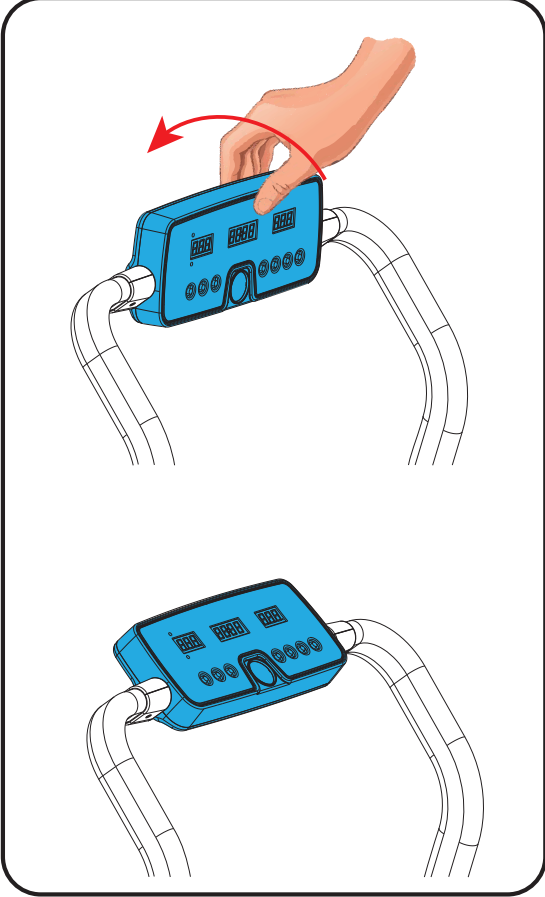
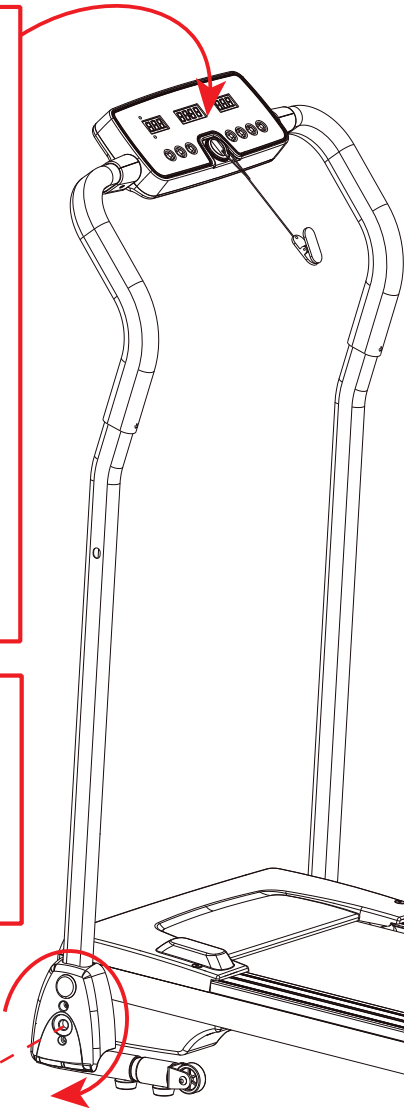
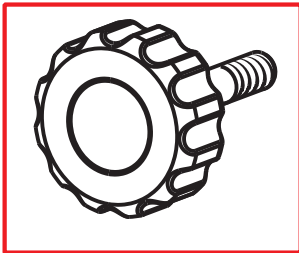
7 	9 		
8 		11 	10 



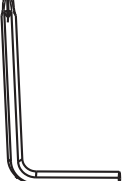



D-03



D-04

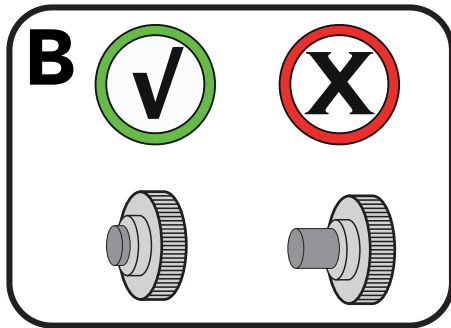
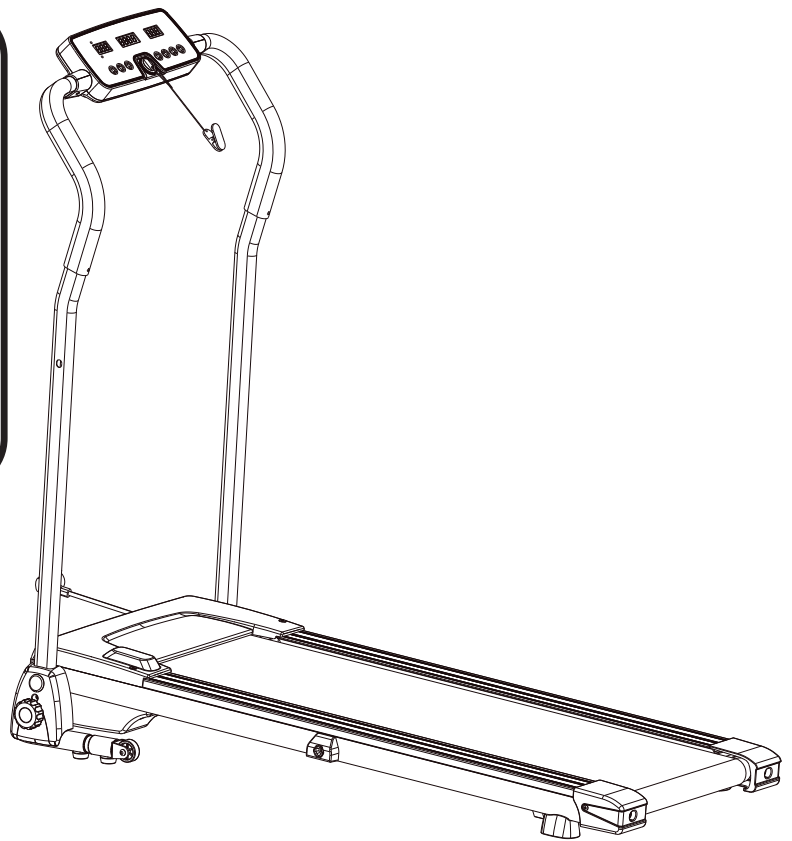
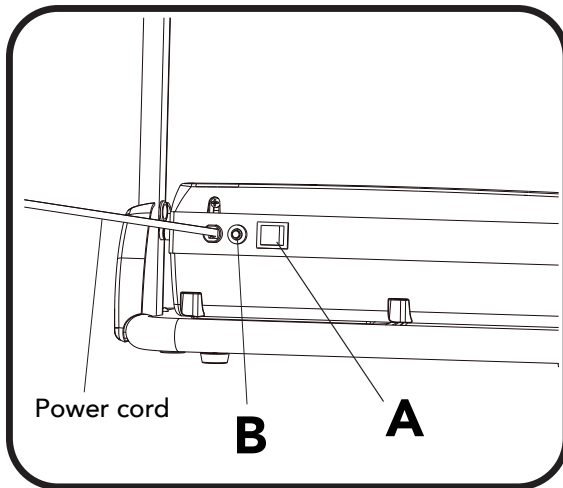


7 	9 	
8 	11	10 

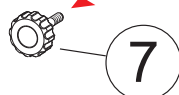
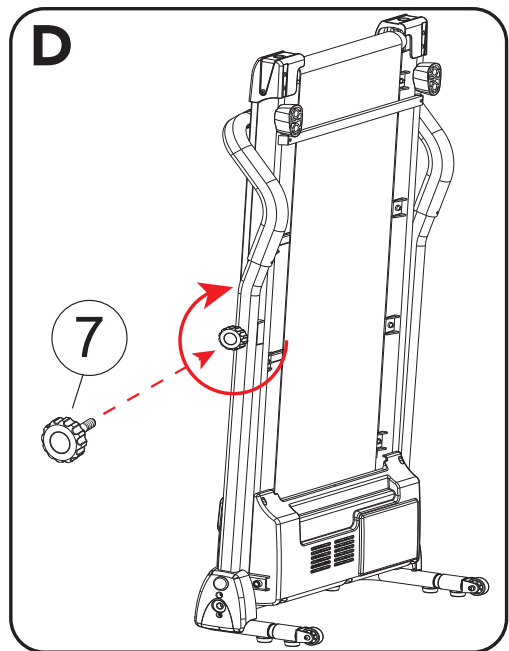
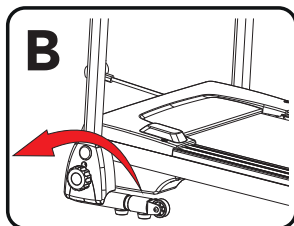
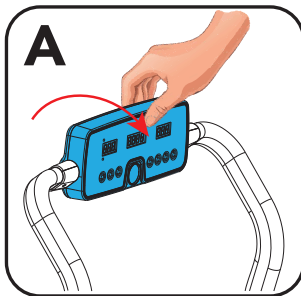


Cardio Fit T5 Treadmill

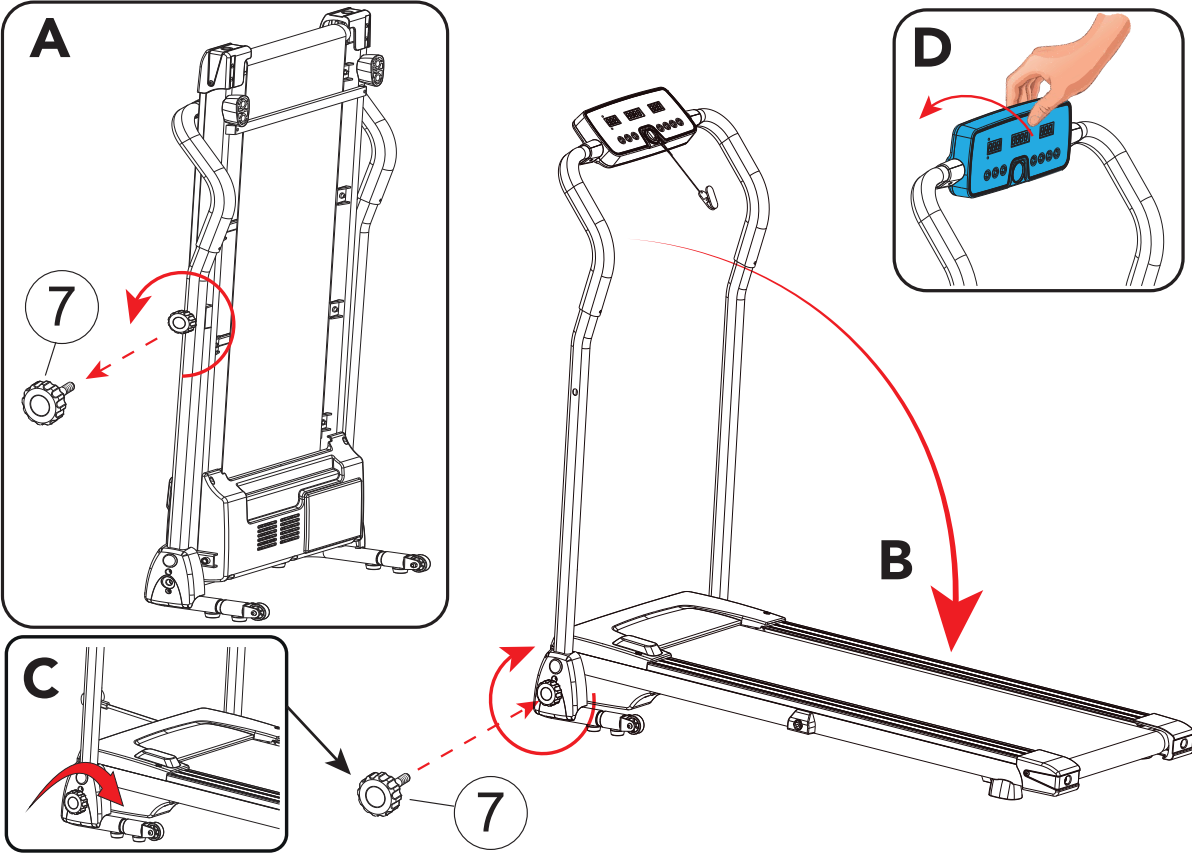
E



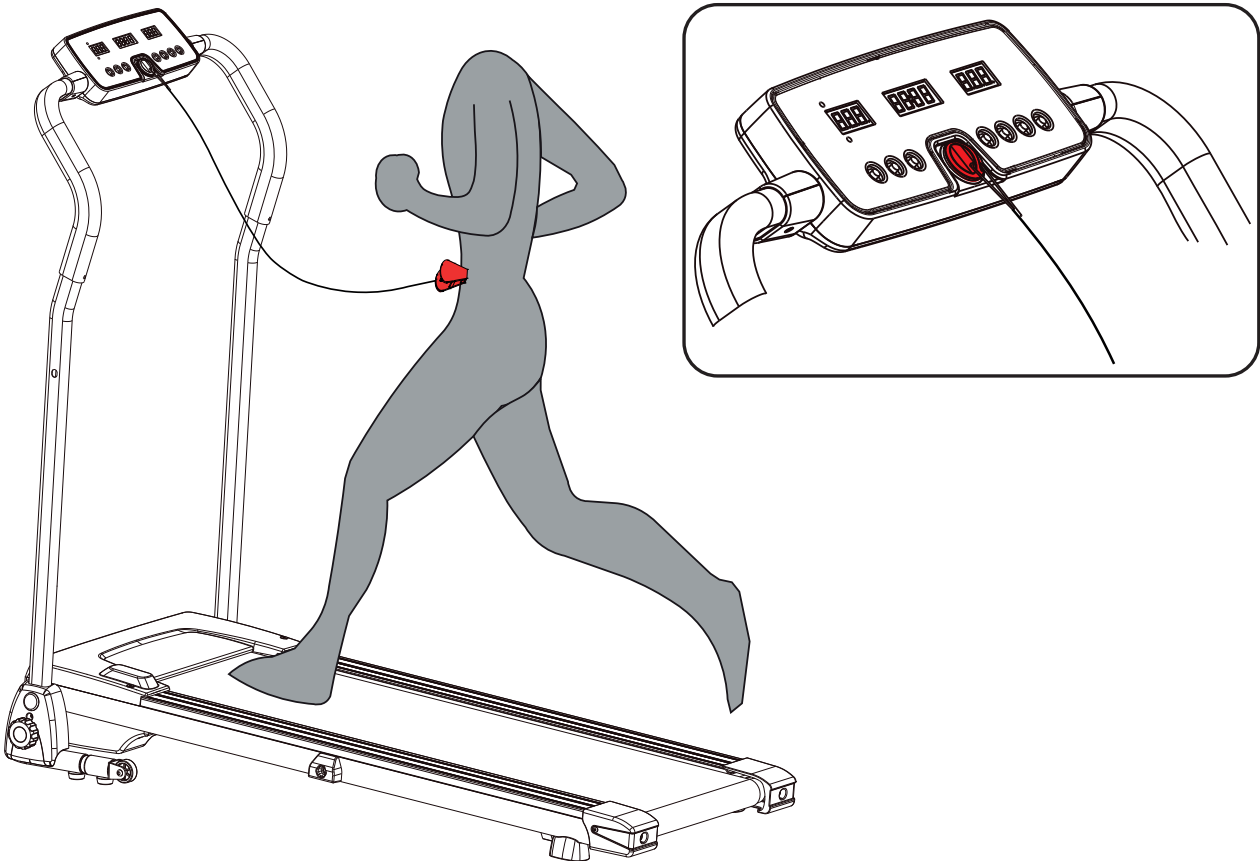
F-1



F-2



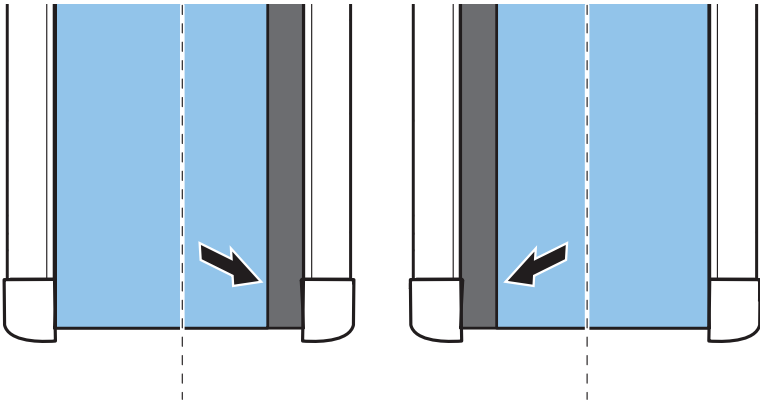
F-3



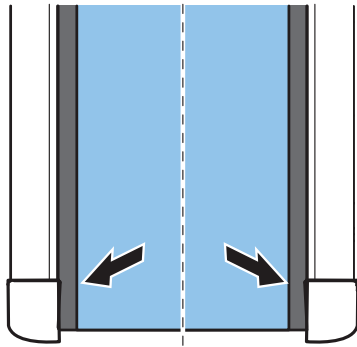


Cardio Fit T5 Treadmill

F-4

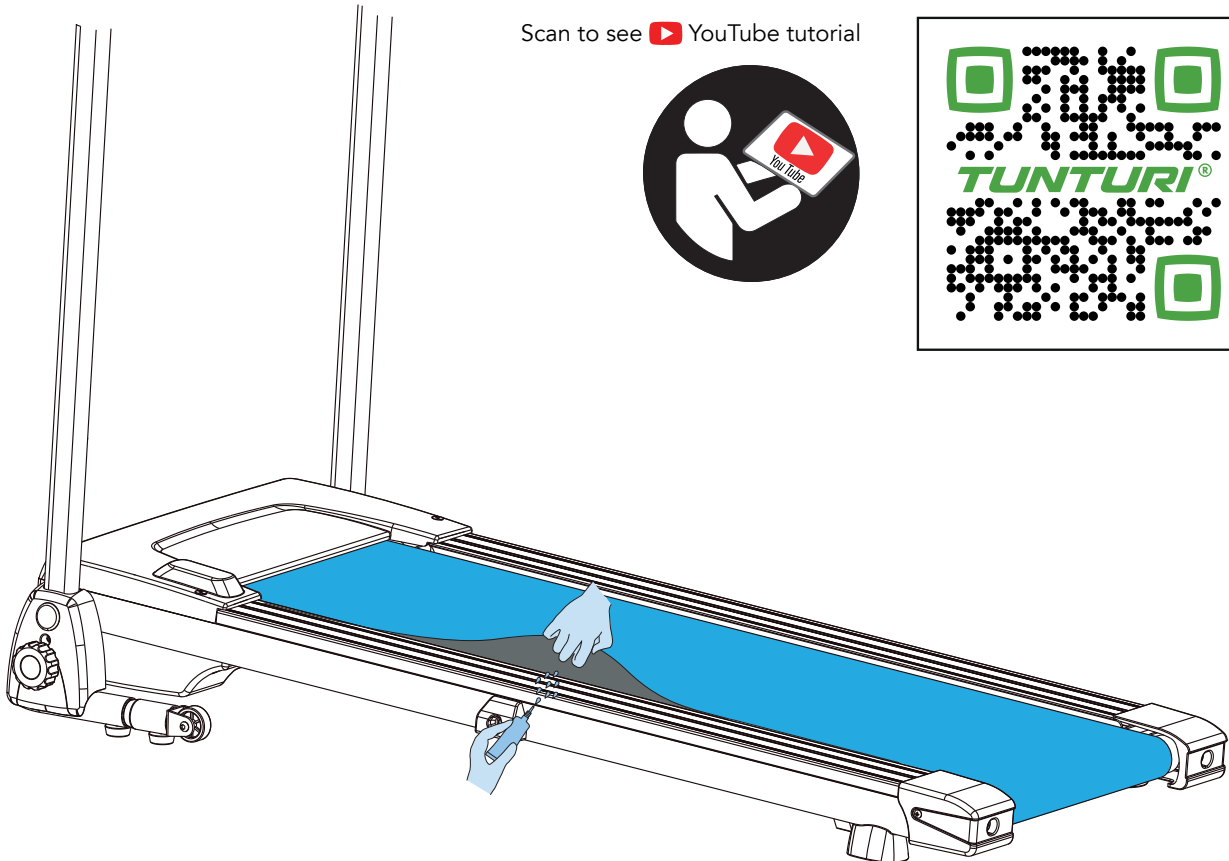


Scan to see  YouTube tutorial



F-5

Scan to see  YouTube tutorial





G

PRG	1/20	2/20	3/20	4/20	5/20	6/20	7/20	8/20	9/20	10/20	11/20	12/20	13/20	14/20	15/20	16/20	17/20	18/20	19/20	20/20
P1	2	2	4	4	6	6	6	6	6	6	6	6	6	6	6	6	4	4	2	2
P2	2	4	6	8	8	8	8	6	4	2	2	4	6	8	8	8	8	6	4	2
P3	2	2	2	4	4	4	6	6	6	8	8	8	10	10	10	10	8	6	4	2
P4	2	6	8	10	8	6	2	2	6	8	10	8	6	2	6	8	10	8	6	2
P5	2	4	6	8	10	6	6	8	10	6	6	8	10	6	6	8	10	7	4	2
P6	2	4	6	8	6	10	6	10	6	10	10	6	10	6	10	6	8	6	4	2
P7	2	8	4	10	6	10	6	10	8	10	10	8	10	6	10	6	10	4	6	2
P8	2	2	4	6	8	10	10	10	10	10	10	8	8	6	4	4	4	2	2	2
P9	2	6	8	6	10	8	10	10	6	10	10	10	10	6	10	8	10	10	6	2
P10	2	6	4	10	10	6	10	10	10	6	10	10	10	10	8	6	8	4	6	2
P11	2	4	10	10	10	10	6	10	10	10	10	10	10	6	10	10	10	10	4	2
P12	4	4	6	10	4	6	10	4	10	6	10	8	10	10	10	6	8	4	6	2

Index

Welcome	14
Safety warnings	14
Electrical safety	15
Assembly instructions	15
Description illustration A.....	15
Description illustration B	15
Description illustration C.....	15
Description illustration D.....	15
Additional environmental information	15
Workouts	16
Exercise Instructions.....	16
Heart rate	16
Use	16
Power controls.....	16
Folding (Fig F1 & F2).....	17
Safety key (Fig F-3).....	17
Console (fig. E-1)	17
Buttons	17
Explanation of display items	18
Programs	18
Quick start.....	18
End your workout.....	18
Preset Programs (P0)	18
Preset Programs (P1 ~ P12).....	18
Cleaning and maintenance	19
General Cleaning	19
Belt and Running Deck.....	19
Lubrication (fig. F-5)	19
Belt adjustments.....	19
Troubleshooting	20
Error codes.....	20
Oil.....	20
Code “- - - -”	20
Transport and storage	20
Warranty	21
Technical data	21
Declaration of the manufacturer	21
Disclaimer	21

Welcome

Welcome to the world of Tunturi!

Thank you for purchasing this piece of Tunturi equipment.

Tunturi offers a wide range of home fitness equipment, including crosstrainers, treadmills, exercise bikes, rowers, strength benches and multi stations. The Tunturi equipment is suitable for the entire family, no matter what fitness level. For more information, please visit our website www.tunturi.com

Important Safety Instructions

This manual is an essential part of your training equipment please read all instructions in this manual before you start using this equipment. The following precautions must always be followed:

Safety warnings

⚠ WARNING

- Read the safety warnings and the instructions. Failure to follow the safety warnings and the instructions can cause personal injury or damage to the equipment. Keep the safety warnings and the instructions for future reference.

⚠ WARNING

- Heart rate monitoring systems may be inaccurate. Over exercise may result in serious injury or death. If you feel faint stop exercising immediately.

- The equipment is suitable for domestic use only. The equipment is not suitable for commercial use.
- Max. usage is limited to 2 hrs a day.
- The use of this equipment by children or persons with a physical, sensory, mental or motorial disability, or lack of experience and knowledge can give cause to hazards. Persons responsible for their safety must give explicit instructions or supervise the use of the equipment.
- Before starting your workout, consult a physician to check your health.
- If you experience nausea, dizziness or other abnormal symptoms, immediately stop your workout and consult a physician.
- To avoid muscular pain and strain, start each workout by warming up and finish each workout by cooling down. Remember to stretch at the end of the workout.
- The equipment is suitable for indoor use only. The equipment is not suitable for outdoor use.
- Only use the equipment in environments with adequate ventilation. Do not use the equipment in draughty environments in order not to catch a cold.
- Only use the equipment in environments with ambient temperatures between 10 °C~35 °C. Only store the equipment in environments with ambient temperatures between 5 °C~45 °C.
- Do not use or store the equipment in humid surroundings. The air humidity must never be more than 80%.
- Only use the equipment for its intended purpose. Do not use the equipment for other purposes than described in the manual.
- Do not use the equipment if any part is damaged or defective. If a part is damaged or defective, contact your dealer.
- Keep your hands, feet and other body parts away from the moving parts.
- Keep your hair away from the moving parts.
- Wear appropriate clothing and shoes.
- Keep clothing, jewellery and other objects away from the moving parts.

- Make sure that only one person uses the equipment at a time. The equipment must not be used by persons weighing more than 100 kg (220 lbs).
- Do not open equipment without consulting your dealer.

Electrical safety

- Before use, always check that the mains voltage is the same as the voltage on the rating plate of the equipment.
- Do not use an extension cable.
- Keep the mains cable away from heat, oil and sharp edges.
- Do not alter or modify the mains cable or the mains plug.
- Do not use the equipment if the mains cable or the mains plug is damaged or defective. If the mains cable or the mains plug is damaged or defective, contact your dealer.
- Always fully unwind the mains cable.
- Do not run the mains cable underneath the equipment. Do not run the mains cable underneath a carpet. Do not place any objects on the mains cable.
- Make sure that the mains cable does not hang over the edge of a table.
- Make sure that the mains cable cannot be caught accidentally or tripped over.
- Do not leave the equipment unattended when the mains plug is inserted into the wall socket.
- Do not pull the mains cable to remove the mains plug from the wall socket.
- Remove the mains plug from the wall socket when the equipment is not in use, before assembly or disassembly and before cleaning and maintenance.

⚠ CAUTION

- If voltage varies by ten percent (10%) or more, the performance of your treadmill may be affected. Such conditions are not covered under your warranty. If you suspect the voltage is low, contact your local power company or a licensed electrician for proper testing.

⚠ CAUTION

- Route the power mains cord away from any moving part of the treadmill including the elevation mechanism and transport wheels.

⚠ WARNING

- Never use water or any other liquid directly on or near the equipment, but only via a damp cloth if moist is required to clean the machine.
- Using liquid directly is harmful for the equipment's components, and may result in an electric shock caused by a short cut circuit. This could result in serious personal injury or even death.

Grounding Instructions

This product must be grounded. If the treadmill's electrical system should malfunction or breakdown grounding provides a path of least resistance for electric current, reducing the risk of electric shock. This product is equipped with a cord having an equipment-grounding plug. The plug must be plugged into an appropriate outlet that is properly installed and grounded in accordance with all local codes and ordinances.

⚠ WARNING

- Improper connection of the equipment-grounding conductor can result in a risk of electric shock. Check with a qualified electrician or serviceman if you are in doubt as to whether the product is properly grounded. Do not modify the plug provided with the product if it will not fit the outlet; have a proper outlet installed by a qualified electrician.

Assembly instructions

Description illustration A

The illustration shows what the trainer will look like after the assembly is completed.

You can use this as a reference during your assembly, but do follow the assembly steps always in the correct sequence as showed in the illustrations.

Description illustration B

The illustration shows what components and parts you should find when un-boxing your product.

⚠ NOTE

- Small parts can be hidden/ packed in hollow spaces in the Styrofoam product protection
- If a part is missing, contact your dealer.

Description illustration C

The illustration shows the hardware kit that comes with your product. The hardware kit contains bolts, washers, screws, nuts etc. and the required tools to properly fit your trainer.

Description illustration D

The illustrations show you in the correct following order how to assemble your trainer best.

⚠ NOTE

- Part numbers shown in the assembly steps are commencing with the spare part drawing that can be found in the online version user manual.

⚠ WARNING

- Assemble the equipment in the given order.
- Carry and move the equipment with at least two persons.

⚠ CAUTION

- Place the equipment on a firm, level surface.
- Place the equipment on a protective base to prevent damage to the floor surface.
- Allow at least 100 cm of clearance around the equipment.
- Refer to the illustrations for the correct assembly of the equipment.

⚠ NOTE

- Save the tools provided with this product, after you completed the product assembly, for future service purposes.

Additional environmental information

Packaging disposal

Government guidelines ask that we reduce the amount of waste material disposed of in land fill sites. We therefore ask that you dispose of all packaging waste responsibly at public recycling centres.

End of life disposal

We at Tunturi hope you enjoy many years of enjoyable use from your fitness trainer. However, a Time will come when your fitness trainer will come to the end of its useful life. Under 'European WEEE Legislation you are responsible for the appropriate disposal of your fitness trainer to a recognised public collection facility.

Workouts

The workout must be suitably light, but of long duration. Aerobic exercise is based on improving the body's maximum oxygen uptake, which in turn improves endurance and fitness. You should perspire, but you should not get out of breath during the workout.

To reach and maintain a basic fitness level, exercise at least three times a week, 30 minutes at a time. Increase the number of exercise sessions to improve your fitness level. It is worthwhile to combine regular exercise with a healthy diet. A person committed to dieting should exercise daily, at first 30 minutes or less at a time, gradually increasing the daily workout time to one hour. Start your workout at low speed and low resistance to prevent the cardiovascular system from being subjected to excessive strain.

As the fitness level improves, speed and resistance can be increased gradually. The efficiency of your exercise can be measured by monitoring your heart rate and your pulse rate.

Exercise Instructions

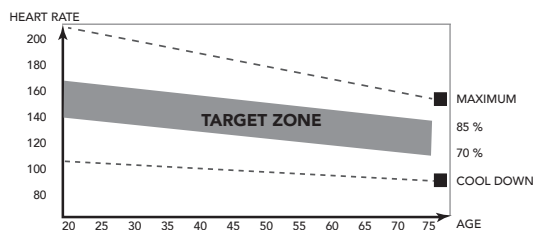
Using your fitness trainer will provide you with several benefits, it will improve your physical fitness, tone muscle and in conjunction with a calorie controlled diet help you lose weight.

The warming up phase

This stage helps get the blood flowing around the body and the muscles working properly. It will also reduce the risk of cramp and muscle injury. It is advisable to do a few stretching exercises as shown below. Each stretch should be held for approximately 30 seconds, do not force or jerk your muscles into a stretch - if it hurts, STOP

The exercise phase

This is the stage where you put the effort in. After regular use, the muscles in your legs will become more flexible. Work to your but it is very important to maintain a steady tempo throughout. The rate of work should be sufficient to raise your heart beat into the target zone shown on the graph below.



This stage should last for a minimum of 12 minutes though most people start at about 15-20 minutes

The cool down phase

This stage is to let your Cardiovascular System and muscles wind down. This is a repeat of the warm up exercise e.g. reduce your tempo, continue for approximately 5 minutes. The stretching exercises should now be repeated, again remembering not to force or jerk your muscles into the stretch.

As you get fitter you may need to train longer and harder. It is advisable to train at least three times a week, and if possible space your workouts evenly throughout the week.

Muscle toning

To tone muscle while on your fitness trainer you will need to have the resistance set quite high. This will put more strain on our leg muscles and may mean you cannot train for as long as you would like. If you are also trying to improve your fitness you need to alter your training program. You should train as normal during the warm up and cool down phases, but towards the end of the exercise phase you should

increase resistance making your legs work harder. You will have to reduce your speed to keep your heart rate in the target zone.

Weight loss

The important factor here is the amount of effort you put in. The harder and longer you work the more calories you will burn. Effectively this is the same as if you were training to improve your fitness, the difference is the goal.

Heart rate

NOTE

- This trainer does not come with a built in heart rate monitor. When you like to monitor your heart rate you need to use an additional device.

Maximum heart rate (during training)

The maximum heart rate is the highest heart rate a person can safely achieve through exercise stress. The following formula is used to calculate the average maximum heart rate: $220 - \text{AGE}$. The maximum heart rate varies from person to person.

WARNING

- Make sure that you do not exceed your maximum heart rate during your workout. If you belong to a risk group, consult a physician.

Beginner

50-60% of maximum heart rate

Suitable for beginners, weight-watchers, convalescents and persons who have not exercised for a long time. Exercise at least three times a week, 30 minutes at a time.

Advanced

60-70% of maximum heart rate

Suitable for persons who want to improve and maintain fitness. Exercise at least three times a week, 30 minutes at a time.

Expert

70-80% of maximum heart rate

Suitable for the fittest of persons who are used to long-endurance workouts.

Use

Power controls

Master power switch (fig. E-A)

The equipment is equipped with a master power switch to shut down the equipment completely.

To start the equipment:

- Insert the mains plug into the wall socket.
- Set the master power switch to the on position.

To stop the equipment:

- Set the mains power switch to the off position.
- Remove the mains plug from the wall socket.

Circuit breaker (Fig. E-B)

The equipment is equipped with a circuit breaker that interrupts the circuit when the electricity load is above the maximum capacity. When this occurs, the circuit breaker must be pressed.

⚠ WARNING

- Before pressing the circuit breaker, remove the mains plug from the equipment.

If the equipment shuts down, proceed as follows to restart the equipment:

- Remove the mains plug from the equipment.
- Press the circuit breaker to restart the equipment.
- Insert the mains plug into the equipment.

!! NOTE

- Some circuit breakers used in homes are not rated for high inrush currents that can occur when a treadmill is first turned on or even during normal use. If your treadmill is tripping the circuit breaker (even though it is the proper current rating and the treadmill is the only appliance on the circuit) but the circuit breaker on the treadmill itself does not trip, you will need to replace the breaker with a high inrush type. This is not a warranty defect. This is a condition we as a manufacturer have no ability to control.

Folding (Fig F1 & F2)**Folding up**

The equipment can be folded to store your trainer space-saving for your convenience.

- Turn the power switch in "OFF" mode.
- Remove the power cord from the wall outlet socket.
- Loosen knob (7) located on the bottom (LH) side of the trainer, and remove it from the frame.
- Fold up the running deck smoothly to avoid the upright frame to fall over. (Holding fixation knob (7) in your hand already)
Avoid the power cord from being pinched while folding up.
- Fit the fixation knob (7) halfway down the (LH) upright tube and fix it into the fixation slot of the running deck, and fix it firmly.
Do not let go of the treadmill running deck before fully fixed again, as it can accidentally fall down when not fixed properly.
- Store the power cord where it will not be damaged, pinched, or causes a trip hazard.

Folding down

- Loosen the fixation knob (7) halfway down the (LH) upright tube while supporting the running deck, and remove it from the frame.
- Fold down the treadmill deck supporting it all the way down.
Avoid the power cable from being pinched while unfolding.
- Fit fixation knob on the bottom (LH) side of the trainer and fix it firmly.

Refer to the illustrations for the correct way of unfolding and folding the equipment.

Safety key (Fig F-3)

The equipment is equipped with a safety key that must be properly inserted into the console to start the equipment. If you remove the safety key from the console, the equipment will stop immediately.

- Insert the safety key into the slot in the console.
- Make sure that the clip of the safety key is properly attached to your clothing.
Make sure that the clip is not removed from your clothing before the safety key is removed from the console.

!! NOTE

- Console will show "-- -- -- --" code when safety key is not in (correct) position.

Console (fig. E-1)**⚠ CAUTION**

- Keep the console away from direct sunlight.
- Dry the surface of the console when it is covered with drops of sweat.
- Do not lean on the console.
- Only touch the display with the tip of your finger. Make sure that your nails or sharp objects do not touch the display.

!! NOTE

- The console switches to standby mode when the equipment is not used for 10 minutes.

Buttons**Mode**

- Select program mode (P0 ~ P12)
- Confirm setting to enter next step in programming mode.

Set

- Set your target(s) for your workout when being in programming mode.

Start/ stop

- Start selected workout after a 5 seconds countdown when being in stop mode.
- When being in workout mode, trainer will come to a stop gradually.

Single arrow up (+ 0.1)

- Increases the speed with 0.1 km/h at the time.
 - Pressing and holding for two seconds will increase the speed faster.
 - Increase target values when being in programming mode.
- | | |
|----------|--------------|
| Distance | + 0.1 Km |
| Calories | + 1.0 K/ Cal |
| Time | + 1.0 min. |

Dual arrow up (+ 1.0)

- Increases the speed with 1.0 km/h at the time.
 - Pressing and holding for two seconds will increase the speed faster.
 - Increase target values when being in programming mode.
 - Increase target values when being in programming mode.
- | | |
|----------|-------------|
| Distance | + 1.0 Km |
| Calories | + 10 K/ Cal |
| Time | + 10 min. |

Single arrow down (- 0.1)

- Decreases the speed with 0.1 km/h at the time.
 - Pressing and holding for two seconds will decrease the speed faster.
 - Decreases target values when being in programming mode.
- | | |
|----------|--------------|
| Distance | - 0.1 Km |
| Calories | - 1.0 K/ Cal |
| Time | - 1.0 min. |

Dual arrow down (- 1.0)

- Decreases the speed with 1.0 km/h at the time.
 - Pressing and holding for two seconds will decrease the speed faster.
 - Increase target values when being in programming mode.
- | | |
|----------|-------------|
| Distance | - 1.0 Km |
| Calories | - 10 K/ Cal |
| Time | - 10 min. |

!! NOTE

- Speed control buttons are only functional in P0 workout mode.

Explanation of display items

Speed

- Show program selection when being in programming mode.
- Shows 5 seconds countdown when pressing "Start" button.
- Shows the actual treadmill speed in workout mode.
Display range: 1.0 ~ 10.0 Km/h \pm 0.1 km/h

Time

- Shows the ran time in workout mode.
- Show remaining time when being in workout mode and have set a workout target for time.
- Shows the target time when being in programming mode.
Display range: 00:01 ~ 99:99

Distance

- Shows the ran distance in workout mode.
- Show remaining distance when being in workout mode and have set a workout target for distance
- Shows the target distance when being in programming mode.
- Display range: 0.0 ~ 99.9 Km \pm 0.1 Km

Calories

- Shows the consumed calories in workout mode.
- Show remaining calories when being in workout mode and have set a workout target for calories.
- Shows the target calories when being in programming mode.
- Display range: 0 ~ 999 K.Cal.

Calories indicator led burns when calories is shown.

NOTE

- This data is a rough guide for comparison of different exercise sessions which cannot be used in medical treatment

NOTE

- Display for "Distance" & "Calories" scans every 5 seconds.
- Use "SET" button to freeze display,
- Use set to toggle between Distance and calories.
Use mode button to unfreeze displays or start scan again when in freeze mode.

Programs

Quick start

- Press "Start/ stop" button to start your workout without any pre-set settings.
- Treadmill will start at minimum speed of 1.0 Km/h.
- Adjust speed manually at any time to change your workout.

End your workout

- Press "Start/ stop" button to stop workout and reset console.
- Press and hold "STOP" button to stop workout and reset console.

Preset Programs (P0)

Press "Mode" button in stop mode to toggle between the program modes. Select P0 to select the manual program.

When not wish to set a target, press "Start/ stop" button directly and treadmill will start the workout without any target setting.

All values in display will count up, and treadmill will not come to a stop unless "Start/ Stop" button is pressed.

Speed is controlled by user during workout at all times in P0 mode.

When want to set a target for: Time, Calories or Distance.

Set workout target for time.

- Press "Set" button once to open target programming mode when selected P0 in program selection mode.
- Window "Time" will show 30:00 blinking as a default target time in minutes to be set.
- Press "Dual arrow up/ down to change the target time to your needs.
Target range : 5:00 ~ 99:00 \pm 1:00 minutes.
- Press "Start/ stop" to start your workout.

Set workout target for distance

- Press "Set" button twice to open target programming mode when selected P0 in program selection mode.
- Window "Distance" will show 1:00 blinking as a default target distance in KM to set.
- Press "Dual arrow up/ down to change the target distance to your needs.
Target range : 0.5 ~ 99.9 \pm 0.1 km.
- Press "Start/ stop" to start your workout.

Set workout target for calories.

- Press "Set" button three times to open target programming mode when selected P0 in program selection mode.
- Window "Calories" will show 50 blinking as a default target in calories to be set.
- Press "Dual arrow up/ down to change the target calories to your needs.
Target range : 10 ~999 K.Cal.
- Press "Start/ stop" to start your workout.

Preset Programs (P1 ~ P12)

For pre-set programs the Speed is fixed, and therewith the distance and calories can not be set as a target, as this is directly related to your workout time.

Workout time is able to set as a target.

Target range : 5:00 ~ 99:00 \pm 1:00 minutes.

- Press "Mode" button in stop mode to toggle between the program modes. Select P1 ~ P12 per your preference to select a pre-set program.
No need to confirm the selected program.
- Window "Time" will show 30:00 blinking as a default target time in minutes to be set.
- Press "Dual arrow up/ down to change the target time to your needs.
Target range : 5:00 ~ 99:00 \pm 1:00 minutes.
- Press "Start/ stop" to start your workout.

NOTE

- The different program profiles can be reviewed in fig. G.
- Each pre programmed profiles is divided in 20 sections, each segment representing 1/20 of the pre-set target time.

Set is reset back to begin

Cleaning and maintenance

⚠ WARNING

- Your trainer requires monthly maintenance, even when not being used.
 - Before cleaning and maintenance, remove the mains plug from the wall socket.
 - Do not use solvents to clean the equipment.
- Do not block the ventilation openings. Keep the ventilation openings clear from dust, dirt and other obstructions.
 - Clean the equipment with a soft, absorbent cloth after each use.
 - Clean the visible parts of the equipment with a vacuum cleaner with a small suction nozzle
 - Regularly check that all screws and nuts are tight.

⚠ CAUTION

- We recommend to use indoor shoes only on your treadmill. When you don't have these we do recommend to check the soles of your footwear before using them on your treadmill. The treadmill is not sustainable for dirt from outdoors.

General Cleaning

Dirt, dust, and pet hair can block air inlets and accumulate on the running belt. On a monthly basis: vacuum underneath your treadmill to prevent build-up.

UNPLUG POWER CORD BEFORE THIS TASK.

Belt Dust

This occurs during normal break-in or until the belt stabilizes. Wiping off excess dust with a damp cloth will minimize build-up.

Belt and Running Deck

Your treadmill uses a very high-efficient low-friction bed. Performance is maximized when the running deck is kept clean and free from dust and dirt. Dirt and dust particles between running deck and running belt will damage your running deck surface affecting your performance and product lifetime.

How to clean running deck

Use a soft, dry, non-abrasive cloth to wipe the edge of the belt and the area between the belt edge and frame. try to reach under the running belt edges too, to remove the dirt build up on the edges too.

How to clean running belt surface

Firstly use a nylon scrub brush to remove the loose particles from the running belt surface. Then use wrung out damp cloth (no cleaners or abrasives) to gently clean the top of the textured belt. Allow the belt to fully dry before using.

⚠ NOTE

- When your belt too dirty to clean with water only, you can use a mild soap, but never a lubricant solvent.
- Prevent that the solution comes between running deck and running belt at all times.

This should be done on a regular basis to extend belt and running deck life.

Lubrication (fig. F-5)

⚠ NOTE

- The Treadmill running belt is pre lubricated before fitting on your treadmill during the production of the unit. Therefore it is not needed to lubricate the running belt when taken into use for the first time.

The running belt must be checked for lubrication condition regularly. Therefore the treadmill comes with a 300 hours reminder function. The "TIME WINDOW" will display "OIL" and will make an acoustic beeping sound every 10 seconds to remind you. Follow the below checking procedure and eliminate the "OIL" message and acoustic warning signal by pressing and hold the "MODE" button for at least 3 seconds during this warning signal.

⚠ WARNING

- Before lubrication, remove the mains plug from the wall socket.

⚠ CAUTION

- We recommend to check the running belt lubrication at least once every month, as more factors than time can be effective to the lubricant conditions.
- Only lubricate the running belt if necessary. If you apply too much lubricant, the running belt will slip easily due to lack of friction.

- Stand steadily on the running belt.
- Take hold of the front handlebar and push the running belt with your feet so that it slides back and forth. The running belt must move smoothly and evenly without making sound.
- If the running belt does not move smoothly and evenly or if the running belt does not move at all, touch the underside of the running belt with your fingertips to check the lubrication:
 - If you feel lubrication or your fingertips are shiny, there is sufficient lubrication on the running belt.
 - If you do not feel lubrication or your fingertips are dusty or rough, apply lubricant (± 10 ml.) in the middle of the running deck under the running belt and let the equipment operate at 5km/h for at least 5 minutes.
 - After lubrication, do not fold the equipment before having done a workout for 2 minutes with a speed of at least 5 km/h. This will cause the lubricant being fully absorbed by the running belt and being spread evenly.

⚠ NOTE

- When 5 km/h is too fast for you, do walk at your desired speed, but extend the duration to at least 5 minutes.



Click to see our supportive YouTube video
<https://youtu.be/ceaOYnofY5k>

Belt adjustments

The performance of your treadmill is dependent on the frame running on a reasonably level surface. If the frame is not level, the front and back roller cannot run parallel, and constant belt adjustment may be necessary.

The treadmill is designed to keep the running belt reasonably centred while in use. It is normal for some belts to drift near one side while the belt is running with no one on it. After a few minutes of use, the running belt should have a tendency to centre itself. If, during use, the belt continues to move toward one side, adjustments are necessary.

EXCEPTION

During rehabilitation where the user is using one leg much stronger than the other, it might happen that the running belt drifts to one side. In these cases you should not adjust unless the running belt does not centre itself during normal condition usage.

Belt tension adjustment

Adjustment must be made from the rear roller. The adjustment bolts are located at the end of the step rails in the end caps.

- Tighten the rear roller bolts (clockwise) only enough to prevent slippage at the front roller. Turn both running belt tension adjustment bolts in increments of 1/4 turn each and inspect for proper tension by walking on the belt at a low speed, making sure the belt does not slip. Keep tensioning the bolts until the belt stops slipping.
- If you feel the belt is tight enough, but it still slips, the problem may be a loose Motor drive belt under the front cover.
- Do Not Over-tighten
Over tightening will cause belt damage and premature bearing failure.



Click to see our supportive YouTube video
https://youtu.be/pp4_4bL1MXo

Centre the running belt (fig. F-4)

Centre the running belt is needed when your running belt is not tracking in the centre of your running surface. This is noticed easily when the gap between side landing and running belt is significantly bigger on one side compared to the other side.

This can be caused by a few reasons, such as:

REASON 1

You do a workout using one leg more powerful in push off during your workout. This causes the belt being pushed aside, but will correct automatically when let the running belt run unloaded for a few minutes.

REASON 2

Your treadmill is not levelled horizontally, where gravity pulls the running belt slowly to the lowest end of the treadmill. This must be corrected by levelling the treadmill correctly. as this cannot be solved by any other adjustment.

REASON 3

The running belt is not centred correctly between the front and rear roller drum. This needs be corrected by adjusting the running belt tracking as described below.

To adjust the running belt's tracking use the Allen key being provided with your treadmill.

- Set your treadmill at a speed of ± 5 km/h, not running on it.
- When the running belt is tracking to the right side.
Turn the left-hand rear roller adjustment bold, located on the rear end in a socket in the rear roller cover, counter clockwise for 1/4 turn.
- When the running belt is tracking to the left side.
Turn the right-hand rear roller adjustment bold, located on the rear end in a socket in the rear roller cover, counter clockwise for 1/4 turn.
- Await ± 2 minutes to give the running belt the time to respond to the adjustment before repeating the adjustment steps if needed to get to the desired result.

NOTE

- Remember, a small adjustment can make a big difference, so make the adjustments with small steps at the time.



Click to see our supportive YouTube video
<https://youtu.be/qx5AvTv00J4>

The belt may require periodic tracking adjustment depending on use and walking/running characteristics. Some users will affect tracking differently. Expect to make adjustments as required to centre the tread-belt. Adjustments will become less of a maintenance concern as the belt is used. Proper belt tracking is an owner responsibility common with all treadmills.

NOTE

- Damage to the running belt because of incorrect running-belt adjustments is not covered by the products warranty.

Troubleshooting

Despite continuous quality control, defects and malfunctions caused by individual components may occur in the equipment. In most cases it's unnecessary to take the whole device in for repair, as it's usually sufficient to replace the defective part.

If the equipment does not function properly during use, contact your Tunturi dealer immediately. Always give the model and serial number of your equipment. Please state also the nature of the problem, conditions of use and purchase date.

If you require spare parts, always give the model, serial number of your equipment and the spare part number for the part you need. The spare part list is at the back of this manual. Use only spare parts mentioned in the spare part list.

Error codes

If the display shows an error code (marked with "E" + number), restart the equipment and check whether the display still shows the error code. If the display still shows the error code, immediately contact the dealer.

Oil

OIL is not an error code, see "Lubrication"

Code "-- -- --"

Console will show "-- -- --" code when safety key is not in (correct) position during start up.

"-- -- --" is not an error code, see "Safety key"

Transport and storage

WARNING

- Before cleaning and maintenance, remove the mains plug from the wall socket.
- Carry and move the equipment with at least two persons.
- Make sure that there are no other persons or objects under the equipment.
- When folding the folding the equipment, make sure that you hear the equipment lock into position to prevent the equipment from dropping back down.

⚠ CAUTION

- Do not carry this appliance by holding grip on the power cord, nor use the power cord as a handle.
- Move the equipment as shown (fig. F3). Move the equipment and carefully put the equipment down. Place the equipment on a protective base to prevent damage to the floor surface. Move the equipment carefully over uneven surfaces. Do not move the equipment upstairs using the wheels, but carry the equipment by the handlebars.
- Store the equipment in the upright position (fig. F1). Store the equipment in a dry place with as little temperature variation as possible.

Warranty**Tunturi purchaser's warranty****Warranty terms**

The consumer is entitled to the applicable legal rights stated in the national legislation concerning the commerce of consumer goods. This warranty does not restrict these rights. The Purchaser's Warranty is only valid if the item is used in an environment approved by Tunturi New Fitness BV, and is maintained as instructed for that particular equipment. The product-specific approved environment and maintenance instructions are stated in the "user manual" of the product. The "user manual" can be downloaded from our website. <http://manuals.tunturi.com>

Warranty conditions

The warranty conditions commence from the date of purchase. Warranty conditions may vary per country, so please consult your local dealer for the warranty conditions.

Warranty coverage

Under no circumstances shall Tunturi New Fitness BV or the Tunturi Distributor be liable by virtue of this warranty or otherwise for any special, indirect, secondary or consequential damages of any nature arising out of any use or inability to use this equipment.

Warranty limitations

This warranty covers manufacturing defects in the fitness equipment as originally packed by Tunturi New Fitness BV. The warranty shall apply only under conditions of normal, recommended use of the product as described in the Owner's Manual and providing that Tunturi New Fitness BV's instructions for installation, maintenance and use have been complied with. Neither Tunturi New Fitness BV's nor the Tunturi Distributors' obligations apply to defects due to reasons beyond their control. The warranty applies only to the original purchaser and is valid only in countries where Tunturi New Fitness BV has an authorised importer. The warranty does not extend to fitness equipment or components that have been modified without the consent of Tunturi New Fitness BV. Defects resulting from normal wear, misuse, abuse, corrosion, or damage incurred during loading or transportation are not covered.

The warranty does not cover sounds or noises emitted during use where these do not substantially impede the use of the equipment and where they are not caused by a fault in the equipment.

The warranty does not cover defects arising from the failure to carry periodic maintenance as outlined within the Owner's Manual for the product. Furthermore, the warranty does not cover defects arising from usage and storage within an unsuitable environment as described within the Owner's Manual which should be indoors, dry, dust and grit free and within a temperature range of +15°C to +35°C. The warranty does not cover maintenance activities, such as cleaning, lubricating, and normal part adjustments, nor installation

procedures that customers can accomplish themselves, such as changing uncomplicated meters, pedals and other similar parts not requiring any dismantling/reassembling of the fitness equipment. Warranty repairs carried out by other than authorised Tunturi representatives are not covered.

Failure to follow the instructions given in the Owner's Manual will invalidate the product's warranty.

Technical data

Parameter	Unit of measurement	Value
Mains voltage	VAC	210 ~ 240
Mains frequency	HZ	50 ~ 60
Speed	Km/H	1.0 ~ 10.0
Incline	Step	~
Length (folded)	Cm	123.5 (27.5)
Width	Cm	61.0
Height (folded)	Cm	120.0 (127.0)
Weight	Kg	24.0
Heart rate measurement available via:	Hand-grip contact	No
	5.0 Khz	No
	5.3 Khz.	No
	Bluetooth (BLE)	No
	ANT+	No

Declaration of the manufacturer

Tunturi New Fitness BV declares that the product is in conformity with the following standards and directives: EN 957 (HC), 2014/30/EU . The product therefore carries the CE label.

03-2022

Tunturi New Fitness BV
Purmerweg 1
1311 XE Almere
The Netherlands

Disclaimer

© 2022 Tunturi New Fitness BV
All rights reserved.

- The product and the manual are subject to change.
- Specifications can be changed without further notice.
- Check our website for the latest user manual version.

Deutsch

Diese deutsche Bedienungsanleitung ist eine Übersetzung des englischen Textes. Es können keine Rechte auf diese Übersetzung abgeleitet werden.

Index

Willkommen	22
Warnhinweise zur Sicherheit	22
Elektrische Sicherheit	23
Montageanleitungen	23
Beschreibung Abbildung A	23
Beschreibung Abbildung B	23
Beschreibung Abbildung C	23
Beschreibung Abbildung D	23
Zusätzliche Umwelt Informationen	24
Trainings	24
Trainingsanleitung	24
Herzfrequenz	24
Gebrauch.....	25
Leistungsregler.....	25
Falten (Abb. F1 & F2)	25
Sicherheitsschlüssel (Abb. F-3).....	25
Konsole (Abb. E-1).....	26
Schaltflächen	26
Erklärung der Anzeigeelemente.....	26
Programme	27
Schnellstart	27
Training beenden	27
Voreingestellte Programme (P0).....	27
Voreingestellte Programme (P1 ~ P12)	27
Reinigung und Wartung	27
Allgemeine Reinigung	27
Gurt und Lauffläche.....	28
Schmierung (Abb. F-5)	28
Gurteinstellungen.....	28
Betriebs- störungen	29
Fehlercodes.....	29
Oil.....	29
Code " - - - - "	29
Transport und Lagerung	29
Garantie	30
Technische Daten	30
Herstellereklärung	30
Haftungsausschluss	30

Willkommen

Willkommen in der Welt von Tunturi!

Danke, dass Sie dieses Gerät von Tunturi erworben haben. Tunturi bietet eine breite Palette an Heim-Fitnessgeräten wie beispielsweise Crosstrainer, Laufbänder, Trainingsfahrräder, Rudergeräte, Kraftbänke und Multi-Stationen an. Die Tunturi Geräte sind für die ganze Familie geeignet - ganz egal, wie fit man ist. Weitere Informationen finden Sie auf unserer Website unter www.tunturi.com

Wichtige sicherheitshinweise

Diese Anleitung ist ein unerlässlicher Teil Ihres Trainingsgeräts: Lesen Sie alle Anweisungen in diesem Handbuch durch, bevor Sie dieses Gerät verwenden. Die folgenden Vorsichtsmaßnahmen müssen immer befolgt werden.

Warnhinweise zur Sicherheit

⚠️ WARNUNG

- Lesen Sie die Warnhinweise zur Sicherheit und die Anweisungen. Werden die Warnhinweise zur Sicherheit und die Anweisungen nicht befolgt, kann dies zu Personenverletzungen und Schäden am Gerät führen. Bewahren Sie die Warnhinweise zur Sicherheit und die Anweisungen zur künftigen Bezugnahme auf.

⚠️ WARNUNG

- Herzfrequenz-Überwachungssysteme können ungenau sein.
- Eine Überanstrengung kann zu schweren Schädigungen oder zum Tod führen. Wenn Sie sich schwach oder ohnmächtig fühlen, stellen Sie die Übungen unverzüglich ein.

- Das Gerät ist nur für den Hausgebrauch geeignet. Das Gerät ist nicht für den gewerblichen Gebrauch geeignet.
- Die maximale Verwendung ist auf 2 Stunden pro Tag beschränkt
- Wenn dieses Gerät von Kindern oder Personen mit körperlicher, sensorischer, geistiger oder motorischer Behinderung verwendet wird, oder wenn nicht genügend Erfahrung und Kenntnisse vorhanden sind, kann dies zu Gefahrensituationen führen. Personen, die für deren Sicherheit verantwortlich sind, müssen klare Anweisungen geben oder den Gebrauch des Geräts beaufsichtigen.
- Bevor Sie Ihr Training starten, nehmen Sie Kontakt mit einem Arzt auf, um Ihre Gesundheit kontrollieren zu lassen.
- Falls Sie Übelkeit, ein Schwindelgefühl oder andere anormale Symptome verspüren, hören Sie unverzüglich mit Ihrem Training auf und wenden Sie sich an einen Arzt.
- Um einen Muskelkater zu vermeiden, starten Sie jedes Training mit Aufwärmen und beenden Sie es mit Abkühlen. Denken Sie daran, sich am Ende des Trainings zu dehnen.
- Das Gerät ist nur für den Gebrauch in geschlossenen Räumen geeignet. Das Gerät ist nicht für den Gebrauch im Freien geeignet.
- Verwenden Sie das Gerät nur in Umgebungen mit ausreichender Belüftung. Verwenden Sie das Gerät nicht in zugiger Umgebung, damit Sie sich nicht erkälten.
- Verwenden Sie das Gerät nur in Umgebungen mit Umgebungstemperaturen zwischen 10 °C~35 °C. Lagern Sie das Gerät nur in Umgebungen mit einer Umgebungstemperatur zwischen 5 °C~45 °C.
- Verwenden und lagern Sie das Gerät nicht in feuchten Umgebungen. Die Luftfeuchtigkeit darf niemals 80% überschreiten.
- Verwenden Sie das Gerät nur bestimmungsgemäß. Verwenden Sie das Gerät nicht für einen anderen als für den in diesem Handbuch beschriebenen Zweck.

- Verwenden Sie das Gerät nicht, falls Teile beschädigt oder defekt sind. Ist ein Teil beschädigt oder defekt, wenden Sie sich an Ihren Händler.
- Halten Sie Ihre Hände, Füße und andere Körperteile von den beweglichen Teilen fern.
- Halten Sie Ihr Haar von den beweglichen Teilen fern.
- Tragen Sie entsprechende Kleidung und Schuhe.
- Halten Sie Kleidung, Schmuck und andere Gegenstände von den beweglichen Teilen fern.
- Vergewissern Sie sich, dass das Gerät nur von einer Person auf einmal verwendet wird. Das Gerät darf nicht von Personen verwendet werden, deren Gewicht 100 kg (220 lbs) überschreitet.
- Öffnen Sie das Gerät nicht, ohne vorher mit Ihrem Händler zu sprechen.

Elektrische Sicherheit

- Vergewissern Sie sich vor der Verwendung stets, dass die Netzspannung mit der Spannung auf dem Typenschild des Geräts übereinstimmt.
- Verwenden Sie kein Verlängerungskabel.
- Halten Sie das Netzkabel von Hitze, Öl und scharfen Kanten fern.
- Verändern Sie nichts am Netzkabel oder am Netzstecker.
- Verwenden Sie das Gerät nicht, falls das Netzkabel oder der Netzstecker beschädigt oder defekt ist. Ist das Netzkabel oder der Netzstecker beschädigt oder defekt, wenden Sie sich an Ihren Händler.
- Wickeln Sie das Netzkabel immer vollständig ab.
- Lassen Sie das Netzkabel nicht unter dem Gerät entlanglaufen. Lassen Sie das Netzkabel nicht unter einem Teppich entlanglaufen. Stellen Sie keine Gegenstände auf das Netzkabel.
- Vergewissern Sie sich, dass das Netzkabel nicht über der Kante eines Tisches hängt. Vergewissern Sie sich, dass niemand versehentlich über das Netzkabel stolpert.
- Lassen Sie das Gerät nicht unbeaufsichtigt, wenn der Netzstecker in die Wandsteckdose eingesteckt ist.
- Ziehen Sie nicht am Netzkabel, um den Netzstecker aus der Wandsteckdose zu ziehen.
- Ziehen Sie den Netzstecker aus der Wandsteckdose, wenn das Gerät nicht verwendet wird, bevor es zusammengebaut oder zerlegt wird sowie vor der Reinigung und Wartung.

⚠️ WARNUNG

- Schwankungen in der Netzspannung von mehr als 10 Prozent können zu Fehlfunktionen des Gerätes führen und die Elektronik beschädigen. Die Leistungsaufnahme kann maximal 15 A betragen. Die Garantie erlischt, wenn das Gerät nicht diesen Anleitungen entsprechend angeschlossen wird

⚠️ WARNUNG

- Führen Sie das Stromkabel abseits aller beweglichen Teile des Laufbands, einschließlich des Hebemechanismus und der Transporträder.

⚠️ WARNUNG

- Verwenden Sie niemals Wasser oder eine andere Flüssigkeit direkt auf oder in der Nähe des Geräts, sondern nur ein feuchtes Tuch, wenn das Gerät feucht gereinigt werden muss.
- Die direkte Verwendung von Flüssigkeit ist schädlich für die Komponenten des Geräts und kann zu einem elektrischen Schlag durch einen Kurzschluss führen. Dies kann zu schweren Verletzungen oder sogar zum Tod führen.

Erdungsanweisungen

Dieses Produkt muss geerdet werden. Wenn das Elektrosystem des Laufbands nicht funktioniert oder ausfällt, ist die Erdung der letzte Widerstand für Stromspannung, wodurch Stromschläge vermieden werden. Dieses Produkt hat eine Kabel mit einem Erdungsstecker. Der Stecker muss in eine geeignete Dose gesteckt werden, die richtig gemäß aller örtlichen Bestimmungen und Verordnungen installiert und geerdet ist.

⚠️ WARNUNG

Ein ungeeigneter Erdungsanschluss des Geräts kann zu Stromschlägen führen. Überprüfen Sie zusammen mit einem qualifizierten Elektriker oder Servicemitarbeiter in Zweifelsfällen, ob das Gerät richtig geerdet ist. Nehmen Sie am Stecker, der mit dem Produkt geliefert wurde, keine Veränderungen vor, wenn dieser nicht in die Steckdose passt; lassen Sie von einem qualifizierten Elektriker eine passende Steckdose installieren.

Montageanleitungen

Beschreibung Abbildung A

Die Abbildung zeigt, wie das Gerät nach der Montage aussehen wird. Sie können diese bei der Montage als Referenz verwenden, befolgen Sie die Montageschritte aber immer in der richtigen Reihenfolge, wie in den Abbildungen gezeigt.

Beschreibung Abbildung B

Die Abbildung zeigt, welche Komponenten und Teile in der Lieferung enthalten sein sollen.

⚠️ HINWEIS

- Kleinteile können in Hohlräumen im Styropor-Produktschutz versteckt/verpackt werden
- Fehlt ein Teil, wenden Sie sich an Ihren Händler.

Beschreibung Abbildung C

Die Abbildung zeigt den Zubehörsatz, der mit Ihrem Produkt geliefert wird.

Er enthält Schrauben, Unterlegscheiben, Muttern usw. sowie die erforderlichen Werkzeuge zur ordnungsgemäßen Montage Ihres Trainers.

Beschreibung Abbildung D

Die Abbildungen zeigen Ihnen in der richtigen Reihenfolge, wie Sie Ihren Trainer am besten montieren.

⚠️ HINWEIS

- Die in den Montageschritten angegebenen Teilenummern beginnen mit der Ersatzteilzeichnung, die Sie in der Online-Version des Benutzerhandbuchs finden.

⚠️ WARNUNG

- Bauen Sie das Gerät in der angegebenen Reihenfolge zusammen.
- Tragen und bewegen Sie das Gerät mit mindestens zwei Personen.

⚠ VORSICHT

- Stellen Sie das Gerät auf festen, ebenen Boden.
- Stellen Sie das Gerät auf eine schützende Unterlage, um Schäden am Bodenbelag zu vermeiden.
- Sorgen Sie rund um das Gerät für einen Freiraum von mindestens 100 cm.
- Der richtige Zusammenbau des Geräts geht aus den Abbildungen hervor.

⚠ HINWEIS

- Heben Sie die Werkzeuge für künftige Zwecke auf, die zu diesem Produkt geliefert wurden, wenn Sie die Montage beendet haben.

Zusätzliche Umwelt Informationen

Verpackungsentsorgung

Staatliche Vorschriften sagen, dass wir die in Deponien entsorgen Abfallmengen verringern sollen. Daher bitten wir Sie, den gesamten Verpackungsabfall an öffentlichen Recyclingstellen abzugeben

Entsorgung am ende der Lebensdauer

Wir bei Tunturi hoffen, dass Sie Ihren Fitnesstrainer viele Jahre mit Freude nutzen werden. Jedoch wird irgendwann die Zeit kommen, wenn die Ende der Nutzungsdauer des Fitnesstrainers erreicht ist. Gemäß den europäischen WEEE-Gesetzen sind Sie für eine geeignete Entsorgung des Fitnesstrainers bei einer anerkannten öffentlichen Entsorgungsstelle verantwortlich.

Trainings

Das Training muss leicht und geeignet, aber von langer Dauer sein. Aerobic-Übungen basieren auf der Verbesserung der maximalen Sauerstoffaufnahme des Körpers, was wiederum die Ausdauer und Fitness verbessert. Sie sollten während des Trainings zwar ins Schwitzen, aber nicht außer Atem kommen.

Um eine Basisfitness zu erreichen und zu halten, üben Sie mindestens drei mal pro Woche 30 Minuten lang an einem Stück. Erhöhen Sie die Anzahl der Übungssitzungen, um Ihre Fitness zu verbessern. Es lohnt sich, die regelmäßigen Übungen mit einer gesunden Diät zu kombinieren. Personen, die Diät machen, sollten täglich zuerst 30 Minuten oder weniger an einem Stück üben und die tägliche Trainingszeit allmählich auf eine Stunde verlängern. Beginnen Sie Ihr Training mit niedriger Geschwindigkeit und geringem Widerstand, um zu vermeiden, dass das Herzkreislaufsystem einer übermäßigen Belastung ausgesetzt wird. Mit sich verbessernder Fitness können Geschwindigkeit und Widerstand allmählich erhöht werden. Die Wirksamkeit Ihrer Übungen kann durch Überwachung der Herzfrequenz und Ihrer Pulsfrequenz gemessen werden.

Trainingsanleitung

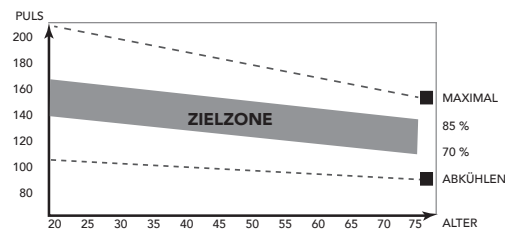
Die Verwendung des Fitnesstrainers wird Ihnen viele Vorteile bieten: Er verbessert Ihre körperliche Fitness, formt die Muskeln und hilft Ihnen, in Verbindung mit einer kalorienreduzierten Diät, Gewicht zu verlieren.

Die Aufwärm-Phase

Der Blutkreislauf wird angeregt und die Muskelfunktionen werden unterstützt. Außerdem wird das Risiko von Krämpfen und Muskelverletzungen gesenkt. Sie sollten, wie unten angezeigt, einige Dehnübungen machen. Sie sollten weder die Dehnungsbewegung erzwingen noch die Muskeln dabei ruckweise bewegen - wenn Sie Schmerzen haben, sollten Sie AUFHÖREN.

Die Trainings-Phase

In dieser Phase strengen Sie sich an. Nach regelmäßiger Verwendung werden die Muskeln in Ihren Beinen beweglicher. In dieser Phase ist es sehr wichtig, immer ein gleichmäßiges Tempo beizubehalten. Die Anstrengung sollte ausreichen, um Ihren Herzschlag bis in die Zielzone zu erhöhen, die im folgenden Diagramm dargestellt ist.



Diese Phase sollte mindestens 12 Minuten dauern; die meisten Menschen beginnen mit ca. 15 bis 20 Minuten.

Die Abkühlungs-Phase

Sie dient der Entspannung Ihres Herz-Kreislaufsystems und Ihrer Muskeln. Dabei werden die Aufwärmübungen wiederholt, reduzieren Sie zum Beispiel Ihr Tempo und machen Sie ca. 5 Minuten weiter. Jetzt sollten die Dehnübungen wiederholt werden. Denken Sie wiederum daran, weder die Dehnungsbewegung zu erzwingen noch die Muskeln dabei ruckweise zu bewegen. Wenn Sie fitter werden, kann es sein, dass Sie länger und härter trainieren müssen. Sie sollten mindestens drei Mal die Woche trainieren und, falls möglich, Ihre Trainingseinheiten gleichmäßig über die Woche verteilen.

Muskelformung

Um Ihre Muskeln beim Training auf dem Fitnesstrainer zu formen, müssen Sie den Widerstand ziemlich hoch einstellen. Dadurch werden die Beinmuskeln mehr angestrengt und Sie können möglicherweise nicht so lange trainieren, wie Sie möchten. Wenn Sie außerdem Ihre Fitness verbessern möchten, müssen Sie Ihr Trainingsprogramm ändern. Sie sollten in den Aufwärm- und Abkühlphasen normal trainieren, jedoch gegen Ende der Trainingsphase den Widerstand erhöhen, damit Ihre Beine härter arbeiten müssen. Sie müssen die Geschwindigkeit verringern, damit Ihre Herzfrequenz in der Zielzone bleibt.

Gewichtsabnahme

Der wichtige Faktor ist, wie sehr Sie sich anstrengen. Je härter und je länger Sie trainieren, desto mehr Kalorien verbrennen Sie. Dies ist im Grunde dasselbe, wie wenn zur Verbesserung Ihrer Fitness trainieren, nur das Ziel ist ein anderes.

Herzfrequenz

⚠ HINWEIS

- Dieser Trainer verfügt nicht über einen eingebauten Herzfrequenzmonitor. Wenn Sie Ihre Herzfrequenz überwachen möchten, müssen Sie ein zusätzliches Gerät verwenden.

Maximale Herzfrequenz (während des Trainings)

Die maximale Herzfrequenz ist die höchste Herzfrequenz, die eine Person durch Übungsbelastung sicher erzielen kann. Folgende Formel wird zur Berechnung der durchschnittlichen maximalen Herzfrequenz verwendet: $220 - \text{ALTER}$. Die maximale Herzfrequenz variiert von Person zu Person.

⚠ WARNUNG

- Stellen Sie sicher, dass Sie während des Trainings Ihre maximale Herzfrequenz nicht überschreiten. Falls Sie einer Risikogruppe angehören, wenden Sie sich an einen Arzt.

Anfänger**50-60% der maximalen Herzfrequenz**

Geeignet für Anfänger, Gewicht- Beobachter, Genesende und Personen, die schon lange nicht mehr trainiert haben. Trainieren Sie mindestens dreimal pro Woche 30 Minuten an einem Stück.

Fortgeschritten**60-70% der maximalen Herzfrequenz**

Geeignet für Personen, die ihre Fitness verbessern und halten wollen. Trainieren Sie mindestens dreimal pro Woche 30 Minuten an einem Stück.

Experte**70-80% der maximalen Herzfrequenz**

Geeignet für die fittesten Personen, die sich an lange Ausdauertrainings gewöhnt haben.

Gebrauch**Leistungsregler****Hauptschalter (Abb. E-A)**

Das Gerät ist mit einem Hauptschalter ausgestattet, mit dem es komplett abgeschaltet werden kann.

Um das Gerät zu starten:

- Stecken Sie den Netzstecker in die Wandsteckdose.
- Schalten Sie den Hauptschalter ein (ON).

Um das Gerät zu stoppen:

- Schalten Sie den Netzschalter aus (OFF).
- Ziehen Sie den Netzstecker aus der Wandsteckdose.

Schutzschalter (Abb. E-B)

Das Gerät ist mit einem Schutzschalter ausgestattet, der den Strom unterbricht, wenn die elektrische Last die maximale Kapazität überschreitet. Tritt dies ein, muss der Schutzschalter gedrückt werden..

⚠️ WARNUNG

- Ziehen Sie vor dem Drücken des Schutzschalters den Netzstecker aus dem Gerät.

Schaltet das Gerät ab, gehen Sie wie folgt vor, um das Gerät neu zu starten:

- Ziehen Sie den Netzstecker aus dem Gerät.
- Drücken Sie den Schutzschalter, um das Gerät neu zu starten.
- Stecken Sie den Netzstecker in das Gerät.

⚠️ HINWEIS

- Einige Schutzschalter in Gebäuden sind nicht auf hohen Einschaltstrom ausgelegt, der beim ersten Einschalten des Laufbands oder auch bei normaler Verwendung vorkommen kann. Wenn Ihr Laufband den Schutzschalter auslöst (auch wenn die Spannung korrekt ist und das Laufband das einzige Gerät im Stromkreis ist), aber der Schutzschalter im Laufband selbst nicht ausgelöst wird, müssen Sie den Schalter durch einen für hohen Einschaltstrom ersetzen. Dies ist nicht Teil der Garantieleistungen. Diese Bedingungen können vom Hersteller nicht beeinflusst werden.

Falten (Abb. F1 & F2)**Zusammenklappen**

Das Gerät kann zusammengeklappt werden, um den Trainer platzsparend zu verstauen.

- Schalten Sie den Netzschalter aus (auf OFF).
- Ziehen Sie das Netzkabel aus der Wandsteckdose.
- Lösen Sie den Knopf (7) links unten am Gerät und nehmen Sie ihn vom Rahmen ab.
- Klappen Sie die Lauffläche gleichmäßig nach oben, um zu verhindern, dass der aufrecht stehende Rahmen umkippt. (Halten Sie den Befestigungsknopf (7) bereits in der Hand) Vermeiden Sie, dass das Netzkabel beim Zusammenklappen eingeklemmt wird.
- Bringen Sie den Befestigungsknopf (7) auf halber Höhe des (linken) Ständerrohrs an und stecken Sie ihn in den Befestigungsschlitz der Lauffläche, befestigen Sie ihn sicher. Lassen Sie die Lauffläche des Laufbandes nicht los, bevor sie nicht wieder vollständig befestigt ist, da sie bei unsachgemäßer Befestigung versehentlich herunterfallen kann.
- Bewahren Sie das Netzkabel so auf, dass es nicht beschädigt oder eingeklemmt wird oder eine Stolperfalle darstellt.

Herunterklappen

- Lösen Sie den Befestigungsknopf (7) auf halber Höhe des (linken) Ständerrohrs, während Sie die Lauffläche abstützen, und nehmen Sie ihn vom Rahmen ab.
- Klappen Sie die Lauffläche herunter und stützen Sie diese dabei bis ganz unten ab. Achten Sie darauf, dass das Netzkabel beim Ausklappen nicht eingeklemmt wird.
- Bringen Sie den Befestigungsknopf an der unteren (linken) Seite des Trainers an und befestigen Sie ihn sicher.

Entnehmen Sie den Abbildungen, wie Sie das Gerät richtig auf- und zusammenklappen.

Sicherheitsschlüssel (Abb. F-3)

Das Gerät ist mit einem Sicherheitsschlüssel ausgestattet, der zum Starten in die Konsole gesteckt werden muss. Wird der Sicherheitsschlüssel aus der Konsole entfernt, stoppt das Gerät sofort.

- Stecken Sie den Sicherheitsschlüssel in den Schlitz in der Konsole.
- Vergewissern Sie sich, dass der Clip des Sicherheitsschlüssels richtig an Ihrer Kleidung befestigt ist. Vergewissern Sie sich, dass der Clip nicht von Ihrer Kleidung entfernt wird, bevor der Sicherheitsschlüssel aus der Konsole gezogen wird.

⚠️ HINWEIS

- Die Konsole zeigt den „- - -“-Code an, wenn der Sicherheitsschlüssel nicht in Position ist.

Konsole (Abb. E-1)

VORSICHT

- Halten Sie die Konsole von direkter Sonneneinstrahlung fern.
- Trocknen Sie die Oberfläche der Konsole, wenn Sie mit Schweißtropfen bedeckt ist.
- Lehnen Sie sich nicht auf die Konsole.
- Berühren Sie die Anzeige nur mit Ihrer Fingerspitze. Vergewissern Sie sich, dass Ihre Nägel oder andere scharfe Gegenstände die Anzeige nicht berühren.

HINWEIS

- Die Konsole schaltet in den Standby-Modus, wenn das Gerät 10 Minuten lang nicht verwendet wird.

Schaltflächen

Mode (Modus)

- Programmiermodus auswählen (P0 ~ P12)
- Bestätigen Sie die Einstellung, um im Programmiermodus in den nächsten Schritt zu gelangen.

Set (Einheit)

- Legen Sie Ihr(e) Ziel(e) für Ihr Training fest, wenn Sie sich im Programmiermodus befinden.

Start/Stop

- Starten Sie das gewählte Training nach einem Countdown von 5 Sekunden, wenn Sie sich im Stoppmodus befinden.
- Im Trainingsmodus kommt der Trainer allmählich zum Stillstand.

Einfacher Pfeil nach oben (+ 0,1)

- Erhöht die Geschwindigkeit um jeweils 0,1 km/h.
- Die Geschwindigkeit wird schneller erhöht, wenn die Taste zwei Sekunden lang gedrückt gehalten wird.
- Erhöhen Sie die Zielwerte, wenn Sie sich im Programmiermodus befinden.

Entfernung	+ 0,1 km
Kalorien	+ 1,0 K/ Kal
Zeit	+ 1,0 min.

Doppelter Pfeil nach oben (+ 1,0)

- Erhöht die Geschwindigkeit um jeweils 1,0 km/h.
- Die Geschwindigkeit wird schneller erhöht, wenn die Taste zwei Sekunden lang gedrückt gehalten wird.
- Erhöhen Sie die Zielwerte, wenn Sie sich im Programmiermodus befinden.
- Erhöhen Sie die Zielwerte, wenn Sie sich im Programmiermodus befinden.

Entfernung	+ 1,0 km
Kalorien	+ 10 K/ Kal
Zeit	+ 10 min.

Einfacher Pfeil nach unten (- 0,1)

- Verringert die Geschwindigkeit um jeweils 0,1 km/h.
- Die Geschwindigkeit wird schneller verringert, wenn die Taste zwei Sekunden gedrückt gehalten wird.
- Verringert die Zielwerte, wenn Sie sich im Programmiermodus befinden.

Distanz	- 0,1 Km
Kalorien	- 1,0 K/ Kal
Zeit	- 1,0 min.

Doppelpfeil nach unten (- 1,0)

- Verringert die Geschwindigkeit um jeweils 1,0 km/h.
 - Die Geschwindigkeit wird schneller verringert, wenn die Taste zwei Sekunden gedrückt gehalten wird.
 - Erhöhen Sie die Zielwerte, wenn Sie sich im Programmiermodus befinden.
- | | |
|----------|-------------|
| Distanz | - 1,0 Km |
| Kalorien | - 10 K/ Kal |
| Zeit | - 10 min. |

HINWEIS

- Die Geschwindigkeitskontrolltasten sind nur im P0-Trainingsmodus funktionsfähig.

Erklärung der Anzeigeelemente

Speed (Geschwindigkeit)

- Zeigt im Programmiermodus die Programmauswahl an.
- Zeigt einen 5-Sekunden-Countdown an, wenn die Taste "Start" gedrückt wird.
- Zeigt im Trainingsmodus die aktuelle Laufbandgeschwindigkeit an. Anzeigebereich: 1,0 ~ 10,0 ± 0,1 km/h

Time (Zeit)

- Zeigt im Trainingsmodus die gelaufene Zeit an.
- Zeigt die verbleibende Zeit an, wenn Sie sich im Trainingsmodus befinden und ein Trainingsziel für die Zeit festgelegt haben.
- Zeigt im Programmiermodus die Zielzeit an. 00:01 ~ 99:99

Distance (Entfernung)

- Zeigt im Trainingsmodus die zurückgelegte Strecke an.
- Anzeige der verbleibenden Entfernung, wenn Sie sich im Trainingsmodus befinden und ein Trainingsziel für die Entfernung festgelegt haben
- Zeigt im Programmiermodus die Zielstrecke an.
- Anzeigebereich: 0,0 ~ 99,9 ± 0,1 km

Calories (Kalorien)

- Zeigt im Trainingsmodus die verbrauchten Kalorien an.
- Zeigt die verbleibenden Kalorien an, wenn Sie sich im Trainingsmodus befinden und ein Trainingsziel für Kalorien festgelegt haben.
- Zeigt im Programmiermodus die Zielkalorien an.
- Anzeigebereich: 0 ~ 999 K.Kal.

Die Kalorienanzeige leuchtet auf, wenn Kalorien angezeigt werden.

HINWEIS

- Diese Daten sind ein grober Anhaltspunkt für den Vergleich verschiedener Trainingssitzungen. Sie können jedoch nicht für eine medizinische Behandlung verwendet werden

HINWEIS

- Die Anzeige für Entfernung und Kalorien wird alle 5 Sekunden abgefragt.
- Drücken Sie die Taste "SET", um die Anzeige einzufrieren.
- Mit Set können Sie zwischen Entfernung und Kalorien umschalten. Verwenden Sie die Taste „MODE/ENTER“, um die Anzeige anzuhalten oder im Haltemodus den Scan wieder zu starten.

Programme

Schnellstart

- Drücken Sie die Taste „START/STOP“, um das Training ohne Voreinstellungen zu beginnen.
- Das Laufband startet mit einer Mindestgeschwindigkeit von 1,0 km/h.
- Sie können die Geschwindigkeit jederzeit während des Trainings manuell anpassen.

Training beenden

- Drücken Sie die Taste „START/STOP“, um das Training zu beenden und die Konsole zurückzusetzen.
- Halten Sie die Taste „STOP“ gedrückt, um das Training zu beenden und die Konsole zurückzusetzen.

Voreingestellte Programme (P0)

Drücken Sie im Stoppmodus die Taste „Mode“, um zwischen den Programmmodi umzuschalten. Wählen Sie P0, um das manuelle Programm zu wählen.

Wenn Sie kein Ziel festlegen möchten, drücken Sie direkt die Taste „Start/Stop“ und das Laufband beginnt das Training ohne Zielvorgabe.

Alle Werte auf dem Display werden hochgezählt, und das Laufband stoppt erst, wenn die „Start/Stop“-Taste gedrückt wird.

Die Geschwindigkeit wird während des Trainings im P0-Modus jederzeit vom Benutzer kontrolliert.

Wenn Sie ein Ziel festlegen wollen für: Zeit, Kalorien oder Entfernung.

Zeitziel für das Training festlegen

- Drücken Sie die Taste „Set“ einmal, um den Zielprogrammiermodus zu öffnen, wenn Sie im Programmwahlmodus P0 gewählt haben.
- Im Fenster „Time“ blinkt 30:00 als voreingestellte Zielzeit in Minuten.
- Drücken Sie die Taste mit dem Doppelpfeil nach oben/unten, um die Zielzeit an Ihre Bedürfnisse anzupassen.
Zielbereich: 5:00 ~ 99:00 ± 1:00 Minuten
- Drücken Sie die Taste „START/STOP“, um Ihr Training zu beginnen.

Trainingsziel für Entfernung festlegen

- Drücken Sie zweimal die Taste „Set“, um den Zielprogrammiermodus zu öffnen, wenn Sie im Programmwahlmodus P0 gewählt haben.
- Im Fenster „Distance“ blinkt 1:00 als standardmäßig eingestellte Zielentfernung in KM.
- Drücken Sie die Taste mit dem Doppelpfeil nach oben/unten, um die Zielentfernung an Ihre Bedürfnisse anzupassen.
Zielbereich: 0,5 ~ 99,9 ± 0,1 km
- Drücken Sie die Taste „START/STOP“, um Ihr Training zu beginnen.

Trainingsziel für Kalorien festlegen

- Drücken Sie dreimal die Taste „Set“, um den Zielprogrammiermodus zu öffnen, wenn Sie im Programmwahlmodus P0 gewählt haben.
- Im Fenster „Calories“ blinkt 50 als Standardziel für die einzustellenden Kalorien.

- Drücken Sie auf den Doppelpfeil nach oben/unten, um die Zielkalorienzahl an Ihre Bedürfnisse anzupassen.
Zielbereich: 10 ~ 999 K.Kal.
- Drücken Sie die Taste „START/STOP“, um Ihr Training zu beginnen.

Voreingestellte Programme (P1 ~ P12)

Bei den voreingestellten Programmen ist die Geschwindigkeit fest vorgegeben, so dass die Entfernung und der Kalorienverbrauch nicht als Ziel eingestellt werden können, da diese sich direkt auf die Trainingszeit beziehen.

Die Trainingszeit kann als Ziel festgelegt werden.

Zielbereich: 5:00 ~ 99:00 ± 1:00 Minuten.

- Drücken Sie im Stoppmodus die Taste „Mode“, um zwischen den Programmmodi umzuschalten. Wählen Sie P1 ~ P12 nach Ihren Wünschen, um ein voreingestelltes Programm zu wählen. Sie müssen das ausgewählte Programm nicht bestätigen.
- Im Fenster „Time“ blinkt 30:00 als voreingestellte Zielzeit in Minuten.
- Drücken Sie die Taste mit Doppelpfeil nach oben/unten, um die Zielzeit an Ihre Bedürfnisse anzupassen.
Zielbereich: 5:00 ~ 99:00 ± 1:00 Minuten.
- Drücken Sie die Taste „START/STOP“, um Ihr Training zu beginnen.

⚠ HINWEIS

- Die verschiedenen Programmprofile sind in Abb. G zu sehen.
- Jedes vorprogrammierte Profil ist in 20 Abschnitte unterteilt, wobei jeder Abschnitt 1/20 der voreingestellten Zielzeit entspricht.

Die Einstellung wird auf den Anfang zurückgesetzt

Reinigung und Wartung

⚠ WARNUNG

- Ihr Trainer muss monatlich gewartet werden, auch wenn er nicht benutzt wird.
- Ziehen Sie vor der Reinigung und Wartung den Netzstecker aus der Wandsteckdose.
- Verwenden Sie zur Reinigung des Geräts keine Lösungsmittel.

- Blockieren Sie nicht die Belüftungsöffnungen. Halten Sie die Belüftungsöffnungen frei von Staub, Schmutz und anderen Hindernissen.
- Reinigen Sie das Gerät nach dem Gebrauch mit einem weichen aufnahmefähigen Lappen.
- Reinigen Sie die sichtbaren Teile des Geräts mit einem Staubsauger mit kleiner Saugdüse.
- Prüfen Sie regelmäßig, ob alle Schrauben und Muttern fest sind.

⚠ ACHTUNG

- Wir empfehlen Ihnen, auf Ihrem Laufband nur Hallenschuhe zu verwenden. Wenn Sie diese nicht haben, empfehlen wir Ihnen, die Sohlen Ihrer Schuhe zu überprüfen, bevor Sie sie auf dem Laufband benutzen, um sicherzustellen, dass sie sauber sind, da das Laufband nicht für Straßenschmutz geeignet ist.

Allgemeine Reinigung

Dreck, Staub und Tierhaare können die Ventilation verstopfen und sich auf dem Band sammeln. Monatlich: Unter dem Laufband staubsaugen.

VOR DER REINIGUNG STROMKABEL ABZIEHEN.

Bandstaub

Dies kommt bei normalem Einlaufen oder bei der Bandstabilisierung vor. Wischen Sie ihn mit einem feuchten Tuch auf.

Gurt und Lauffläche

Ihr Laufband hat ein sehr hocheffizientes reibungsarmes Band. Die Leistung wird erhöht, wenn die Lauffläche so sauber wie möglich ist. Schmutz- und Staubpartikel zwischen Laufdeck und Laufband beschädigen die Oberfläche des Laufdecks und beeinträchtigen die Leistung und Lebensdauer des Produkts.

Wie reinige ich ein Laufdeck?

Verwenden ein weiches, feuchtes Tuch oder Papier, um die Ecken des Gurts und den Bereich zwischen Gurt und Rahmen zu reinigen. Versuchen Sie, auch unter die Laufbandkanten zu greifen, um die Schmutzansammlung an den Kanten zu entfernen.

Wie reinigt man die Laufbandoberfläche?

Verwenden Sie zunächst eine Nylonbürste, um die losen Partikel von der Oberfläche des Laufbandes zu entfernen. Verwenden Sie dann ein ausgewaschenes feuchtes Tuch (keine Reinigungs- oder Scheuermittel), um die Oberseite des strukturierten Bandes vorsichtig zu reinigen. Das Band sollte vor der Nutzung getrocknet sein.

⚠ HINWEIS

- Wenn Ihr Band zu schmutzig ist, um es nur mit Wasser zu reinigen, können Sie eine milde Seife verwenden, aber niemals einen Schmierstofflöser.
- Verhindern Sie, dass sich die Lösung immer zwischen Laufdeck und Laufband befindet.

Dies sollten Sie einmal in Monat tun, um die Lebensdauer der Lauffläche zu erhalten.

Schmierung (Abb. F-5)

⚠ HINWEIS

- Das Laufband wird vor der Montage auf Ihrem Lauftrainer bei der Herstellung des Gerätes geschmiert. Daher ist es nicht erforderlich, das Laufband bei der erstmaligen Inbetriebnahme zu schmieren.

Das Laufband muss regelmäßig auf gute Schmierung geprüft werden. Daher wird die Treadmill mit einer Erinnerungsfunktion (alle 300 km) geliefert. Das Fenster „TIME“ zeigt „OIL“ an und es ertönt ein Piepton im 10-Sekundentakt, um Sie an die Prüfung zu erinnern. Folgen Sie dem Ablauf zur Prüfung und löschen Sie die „OIL“-Mitteilung und das Tonsignal, indem Sie die Taste „MODE“ mindestens 3 Sekunden lang gedrückt halten, während das Signal ausgegeben wird.

⚠ WARNUNG

- Ziehen Sie vor der Schmierung den Netzstecker aus der Wandsteckdose.

⚠ VORSICHT


- Wir empfehlen, die Laufmatten-Schmierung mindestens einmal im Monat zu überprüfen da die Schmierungsbedingungen von mehreren Faktoren beeinflusst werden können.
- Schmieren Sie das Laufband nur, wenn dies erforderlich ist. Wird zu viel Schmiermittel aufgetragen, kann das Laufband aufgrund mangelnder Reibung leicht durchrutschen.

- Stellen Sie sich ruhig auf das Laufband.
- Halten Sie sich am vorderen Handgriff fest und schieben Sie das Laufband mit Ihren Füßen nach vorne und hinten. Das Laufband muss sich geschmeidig und gleichmäßig ohne Geräuschentwicklung bewegen.

- Falls sich das Laufband nicht geschmeidig und gleichmäßig bewegt, oder falls es sich überhaupt nicht bewegt, fassen Sie mit den Fingerspitzen an die Unterseite des Laufbandes, um die Schmierung zu kontrollieren:
 - Falls Sie Schmiermittel fühlen können oder falls Ihre Fingerspitzen glänzen, ist genügend Schmierung am Laufband vorhanden.
 - Falls Sie kein Schmiermittel mit Ihren Fingerspitzen fühlen können oder falls die Fingerspitzen staubig und rau sind, tragen Sie Schmiermittel (± 10 ml.) in der Mitte des Laufwerks unter dem Laufband auf und lassen Sie das Gerät mit ca. 5 km/h mindestens 5 Minuten lang laufen.
 - Klappen Sie das Gerät nach dem Schmieren erst zusammen, wenn Sie zwei Minuten lang mit einer Geschwindigkeit von mindestens 5 km/h trainiert haben. Dadurch wird das Schmiermittel vollständig vom laufenden Band aufgenommen und gleichmäßig verteilt.

⚠ HINWEIS

- Wenn Ihnen 5 km/h zu schnell sind, nehmen Sie Ihr Wunschtempo, aber verlängern Sie die Dauer auf mindestens 5 Minuten.

 Klicken Sie hier, um unser unterstützendes YouTube-Video zu sehen. <https://youtu.be/ceaOYnofY5k>

Gurteinstellungen

Die Leistung Ihres Laufbands hängt davon ab, dass es auf einer geraden Oberfläche läuft. Wenn der Rahmen nicht gerade ist, können die vorderen und hinteren Rollen nicht parallel laufen und das Band muss immer nachgestellt werden.

Das Laufband wurde so entwickelt, dass das Band immer in der Mitte läuft. Bei einigen Bändern ist es normal, dass das Band zu einer Seite zieht, wenn keine Person darauf läuft. Nach ein paar Minuten der Nutzung sollte sich das Band von alleine zentriert haben. Wenn der Gurt bei der Nutzung zu einer Seite zieht, muss dies eingestellt werden.


AUSNAHME

In der Reha, bei der Benutzer ein Bein stärker belasten als das andere, kann es vorkommen, dass das Band zu einer Seite zieht. In diesen Fällen sollten Sie das Band nicht einstellen, es sei denn, das Band verläuft bei normaler Nutzung nicht mehr zentral.

Einstellung der Gurtspannung

Die Einstellung wird an der hinteren Rolle vorgenommen. Die Einstellungsschrauben befinden sich am Ende der Schienen in den Endkappen.

- Ziehen Sie die hinteren Rollenschrauben (im Uhrzeigersinn) soweit fest, dass ein Abrutschen von der vorderen Rolle verhindert wird. Drehen Sie beide Laufband-Zugspannungseinstellungsschrauben stufenweise um 1/4-Umdrehung und überprüfen Sie jeweils die Zugspannung, indem Sie bei geringer Geschwindigkeit auf dem Band laufen. Das Band sollte nicht verrutschen. Ziehen Sie die Schrauben soweit an, dass das Band nicht mehr verrutscht.
- Wenn Sie das Gefühl haben, dass das Band genügend gespannt ist, aber immer noch verrutscht, könnte die Ursache ein loses Motorantriebsband unter der vorderen Abdeckung sein.
- Nicht Überspannen
Eine Überspannung führt zu Schäden am Band und vorzeitigem Verschleiß der Lager.

 Klicken Sie hier, um unser unterstützendes YouTube-Video zu sehen. https://youtu.be/pp4_4bL1MXo

Zentrieren Sie das Laufband (Abb. F-4)

Das Zentrieren des Laufbandes ist erforderlich, wenn Ihr Laufband nicht in der Mitte der Lauffläche verläuft. Dies ist leicht zu erkennen, wenn der Spalt zwischen Seitenpodest und Laufband auf einer Seite deutlich größer ist als auf der anderen Seite.

Dies kann (folgende) Ursachen haben:

URSACHE 1

Sie setzen ein Bein beim Abstoßen während des Trainings stärker ein. Dies führt dazu, dass das Band zur Seite geschoben wird, was sich aber von selbst korrigiert, wenn man das laufende Band einige Minuten unbelastet laufen lässt.

URSACHE 2

Ihr Laufband ist nicht waagrecht ausgerichtet, so dass die Schwerkraft das Laufband langsam an das unterste Ende des Laufbandes zieht. Dies muss durch eine korrekte Nivellierung des Laufbandes korrigiert werden, da dies durch keine andere Einstellung behoben werden kann.

URSACHE 3

Das Laufband ist nicht richtig zwischen der vorderen und hinteren Rollentrommel zentriert. Dies muss korrigiert werden, indem die Laufbandführung wie unten beschrieben eingestellt wird.

Um die Spur des Laufbandes einzustellen, verwenden Sie den Inbusschlüssel, der mit Ihrem Laufband geliefert wurde.

- Stellen Sie Ihr Laufband auf eine Geschwindigkeit von ± 5 km/h ein und laufen Sie nicht darauf.
- Wenn das Laufband nach rechts läuft, drehen Sie die linke Einstellschraube der hinteren Walze, die sich am hinteren Ende in einer Buchse in der hinteren Walzenabdeckung befindet, um 1/4 Umdrehung gegen den Uhrzeigersinn.
- Wenn das Laufband nach links läuft, drehen Sie die rechte Einstellschraube der hinteren Walze, die sich am hinteren Ende in einer Buchse in der hinteren Walzenabdeckung befindet, 1/4 Umdrehung gegen den Uhrzeigersinn.
- Warten Sie ± 2 Minuten, um dem laufenden Band Zeit zu geben, auf die Einstellung zu reagieren, bevor Sie die Einstellschritte wiederholen, falls erforderlich, um das gewünschte Ergebnis zu erzielen.

⚠ HINWEIS

- Denken Sie daran, dass eine kleine Anpassung einen großen Unterschied machen kann, also nehmen Sie die Anpassungen in kleinen Schritten vor.



Klicken Sie hier, um unser unterstützendes YouTube-Video zu sehen. <https://youtu.be/qx5AvTv00J4>

Das Band muss möglicherweise regelmäßig nachgestellt werden, je nach Nutzungs- und Laufverhalten. Verschiedene Benutzer wirken unterschiedlich auf das Band. Sie müssen das Band so einstellen, dass es in der Mitte der Fläche verläuft. Die Einstellungen werden im Laufe der Nutzung weniger aufwändig. Eine richtige Bandspurführung liegt in der Verantwortung des Besitzers.

⚠ HINWEIS

- Schäden am Laufband durch fehlerhafte spur-/ zugeinstellungen, sind nicht von der Garantie abgedeckt.

Betriebs- störungen

Trotz kontinuierlicher Qualitätsüberwachung können vereinzelt an den Geräten durch einzelne Komponenten verursachte Funktionsstörungen auftreten. Dabei ist es nicht angebracht, das ganze Gerät zur Reparatur zu bringen, da der Fehler meistens durch Austauschen der defekten Komponente behoben werden kann.

Wenn das Gerät während des Gebrauchs nicht einwandfrei funktioniert, wenden Sie sich bitte umgehend an die für Sie zuständige Tunturi- Alleinvertretung. Beschreiben Sie das Problem, die Einsatzbedingungen und teilen Sie das Kaufdatum und die Typenbezeichnung und die Seriennummer Ihres Gerätes mit.

Wenden Sie sich an Ihre nationale Tunturi-Vertretung, wenn Sie Ersatzteile benötigen. Beschreiben Sie die Einsatzbedingungen und teilen Sie das Kaufdatum und die Seriennummer des Gerätes mit. Die Ersatzteilnummern finden Sie in der Liste am Ende dieser Anweisung. Nur Teile in der Ersatzteilliste dürfen verwendet werden.

Fehlercodes

Falls in der Anzeige ein Fehlercode erscheint (durch "E" + Nummer erkennbar), starten Sie das Gerät neu und prüfen Sie, ob in der Anzeige der Fehlercode immer noch steht. Falls in der Anzeige der Fehlercode immer noch steht, wenden Sie sich unverzüglich an Ihren Händler.

Oil

OIL ist kein Fehlercode, siehe "Schmierung"

Code "-- -- --"

Die Konsole zeigt den "-- -- --"-Code an, wenn der Sicherheitsschlüssel nicht in Position ist.

"-- -- --" ist kein Fehlercode, siehe "Sicherheitsschlüssel"

Transport und Lagerung**⚠ WARNUNG**

- Ziehen Sie vor der Reinigung und Wartung den Netzstecker aus der Wandsteckdose.
- Tragen und bewegen Sie das Gerät mit mindestens zwei Personen.
- Vergewissern Sie sich, dass sich keine Personen oder Gegenstände unter dem Gerät befinden.
- Vergewissern Sie sich beim Zusammenklappen des Geräts, dass Sie hören, wie das Gerät in seiner Position arretiert, um zu verhindern, dass das Gerät zurückfällt.

⚠ VORSICHT

- Tragen Sie das Gerät nicht, indem Sie es am Netzkabel festhalten, und benutzen Sie das Netzkabel nicht als Griff.
- Bewegen Sie das Gerät wie angegeben (Abb. F3). Bewegen Sie das Gerät und setzen Sie es vorsichtig ab. Stellen Sie das Gerät auf eine schützende Unterlage, um Schäden am Bodenbelag zu vermeiden. Bewegen Sie das Gerät vorsichtig über unebene Böden. Bewegen Sie das Gerät nicht auf den Rädern Treppen herauf, sondern tragen Sie es an den Handgriffen.
- Lagern Sie das Gerät in aufrechter Position (Abb. F1). Lagern Sie das Gerät an einem trockenen Ort mit möglichst wenig Temperaturschwankungen.

Garantie

Eigentümer-garantie für Tunturi fitnessgeräte.

Garantiebedingungen

Der Käufer hat Anspruch auf die anwendbaren Bestimmungen, die in der jeweiligen nationalen Gesetzgebung für den Handel mit Konsumgütern festgelegt sind. Diese Garantie schränkt diese Rechte nicht ein. Die Garantie des Käufers gilt nur, wenn der Artikel in einer Umgebung verwendet und nach Anweisung gewartet wird, die von Tunturi New Fitness BV für dieses Gerät genehmigt wurde. Die produktspezifisch zugelassene Umgebung und Wartungshinweise sind im "Benutzerhandbuch" des Produkts angegeben. Das "Benutzerhandbuch" kann von unserer Website heruntergeladen werden. <http://manuals.tunturi.com>

GaGarantiedauer

Die Garantie gilt ab Kaufdatum. Die Garantiedauer kann sich je nach Land unterscheiden. Bitte wenden Sie sich an Ihren zuständigen Händler, um die Garantiedauer zu erfahren.

Garantieumfang

Unter keinen Umständen haften die Tunturi New Fitness BV oder der Tunturi-Vertragshändler für dem Käufer möglicherweise zugefügte indirekte Schäden wie Gebrauchsbeeinträchtigung oder Einkommensverlust oder anderen wirtschaftlichen Folgeschäden.

Einschränkungen der garantie

Die Garantie deckt durch Herstellung oder Material hervorgerufene Fehler des Fitnessgeräts in dessen ursprünglicher Zusammensetzung. Unter Voraussetzung, dass die Aufbau-, Pflege- und Gebrauchsanweisungen von Tunturi befolgt wurden, erstreckt sich die Garantie auf solche Fehler, die bei normaler und einem dem Gerät beiliegenden Anleitungsbuch entsprechender Benutzung auftreten können. Die Tunturi New Fitness BV und der Tunturi-Vertragshändler haften nicht für Fehler, die durch Faktoren außerhalb ihrer Einflussmöglichkeiten hervorgerufen wurden. Die Garantie gilt nur für den ursprünglichen Eigentümer und nur in den Ländern, in denen es einen von der Tunturi New Fitness BV autorisierten Importeur gibt. Die Garantie gilt nicht für solche Fitnessgeräte oder Teile, an denen ohne Zustimmung der Tunturi New Fitness BV Veränderungen vorgenommen worden sind. Die Garantie betrifft auch nicht solche Schäden, die durch natürlichen Verschleiß, fehlerhaften Gebrauch, Benutzung unter für das Gerät nicht vorgesehenen Umständen, Korrosion, Verladung oder Transport hervorgerufen wurden.

Ersatzleistungen aufgrund von Geräuschen, die beim Einsatz des Geräts auftreten, sind von der Garantie ausgeschlossen, sofern diese Geräusche den Gebrauch des Geräts nicht wesentlich beeinträchtigen und nicht durch einen Gerätefehler bedingt sind.

Die Garantie beinhaltet keine Wartungsmaßnahmen, wie Reinigung, Schmieren oder normales Kontrollieren der Teile, auch nicht solche Aufbaumaßnahmen, die der Kunde selbst ausführen kann und die kein spezielles Auseinander- oder Zusammenbauen des Fitnessgeräts erfordern. Zu solchen Maßnahmen gehört beispielsweise das Austauschen von Cockpits, Pedalen oder anderer entsprechender einfacher Teile. Andere als die durch einen autorisierten Tunturi-Vertreter ausgeführten Garantieleistungen werden nicht ersetzt. Durch unsachgemäße, d.h. nicht der Bedienungsanleitung entsprechenden, Bedienung, verfällt jedweder Garantieanspruch.

Technische Daten

Parameter	Maß-einheit	Wert
Netzspannung	VAC	210 ~ 240
Netzfrequenz	HZ	50 ~ 60
Geschwindigkeit	Km/H	1.0 ~ 10.0
Steigung	Schritt	~
Länge (zusammengeklappt)	Cm	123.5 (27.5)
Breite	Cm	61.0
Höhe (zusammengeklappt)	Cm	120.0 (127.0)
Gewicht	Kg	24.0
Herzdatenmessung verfügbar über:	Handgriffkontakt 5.0 Khz. 5,3 Khz. Bluetooth (BLE) ANT+	Nein Nein Nein Nein Nein

Herstellereklärung

Tunturi New Fitness BV erklärt hiermit, dass das Produkt folgenden Normen und Richtlinien entspricht: EN 957 (HC), 2014/30/EU . Das Produkt trägt daher das CE-Kennzeichen.

03-2022

Tunturi New Fitness BV
Purmerweg 1
1311 XE Almere
The Netherlands

Haftungsausschluss

© 2022 Tunturi New Fitness BV
Alle Rechte vorbehalten.

- Produkt und Handbuch können geändert werden.
- Die technischen Daten können ohne Vorankündigung geändert werden.
- Auf unserer Website finden Sie die neueste Version des Benutzerhandbuchs.

Français

Ce manuel français est une traduction de la version anglaise. Notez que la version anglaise est en tête dans le contenu lorsque des différences sont trouvées.

Indice

Bienvenue	31
Avertissements de sécurité	31
Sécurité électrique	32
Instructions de montage	32
Illustration de description A	32
Illustration de description B	32
Illustration de description C	32
Illustration de description D	32
Informations environnementale supplémentaires.....	33
Exercices	33
Instructions d'entraînement	33
Fréquence cardiaque	34
Usage	34
Commandes de puissance	34
Pliage (Fig. F1 et F2)	34
Clé de sécurité (Fig F-3)	34
Interface de l'utilisateur (fig. E-1)	35
Boutons	35
Explications des éléments de l'écran	35
Programmes	36
Quick start (Démarrage rapide).....	36
Fin de l'entraînement	36
Preset Programs (Programmes prédéfinis, P0)	36
Programmes prédéfinis (P1 ~ P12).....	36
Nettoyage et maintenance	36
Nettoyage général	36
Tapis et surface	37
Lubrification (fig. F-5)	37
Réglages de la courroie de course.....	37
Defauts de fonctionnement	38
Codes d'erreur	38
Oil.....	38
Code "-- --"	38
Transport et rangement	38
Garantie	39
Données techniques	39
Déclaration du fabricant	39
Limite de responsabilité	39

Bienvenue

Bienvenue dans l'univers de Tunturi Fitness !

Merci pour votre achat de cet élément d'équipement Tunturi.

Tunturi offre toute une gamme d'équipements de fitness professionnels, notamment des vélos elliptiques, tapis de course, vélos d'appartement, rameurs, bancs de musculation, multi stations et accessoires. Les équipements Tunturi sont parfaits pour toute la famille, quel que soit le niveau de forme de ses membres. Pour en savoir plus, visitez notre site Web www.tunturi.com

Consignes de sécurité importantes

Ce Manuel est un élément essentiel de votre équipement d'entraînement : veuillez lire toutes les instructions qu'il contient avant de commencer à utiliser cet équipement. Les consignes suivantes doivent toujours être respectées :

Avertissements de sécurité

AVERTISSEMENT

- Lisez les avertissements de sécurité et les instructions. Le non respect des avertissements de sécurité et des instructions est une source de blessure et de dégâts de l'équipement. Conservez les avertissements de sécurité et les instructions pour référence ultérieure.

AVERTISSEMENT

- Les systèmes de suivi de la fréquence cardiaque peuvent être inexacts. Un exercice excessif peut entraîner des blessures graves voire mortelles. Si vous sentez défaillir, interrompez immédiatement l'exercice.
- L'équipement est uniquement adapté à un usage domestique. L'équipement ne convient pas à un usage commercial.
- La durée d'utilisation maximum est limitée à 2 heures par jour.
- L'emploi de cet équipement par des enfants ou des personnes affectés d'un handicap physique, sensoriel, mental ou moteur, voire dont l'expérience ou les connaissances s'avèrent insuffisantes est une source de risques. Les personnes chargées de leur sécurité doivent leur fournir des instructions explicites ou superviser leur usage de l'équipement.
- Avant de commencer vos exercices, effectuez un bilan de santé auprès d'un médecin.
- Si vous êtes pris de nausées ou de vertiges ou sentez d'autres symptômes normaux pendant l'entraînement, interrompez immédiatement la session et consultez votre médecin.
- Afin d'éviter toutes douleurs et tensions musculaires, commencez vos séances par des échauffements et terminez-les par une récupération. N'oubliez pas de vous étirer après vos exercices.
- L'équipement est uniquement adapté à un usage intérieur. L'équipement ne convient pas à un usage extérieur.
- Utilisez l'équipement uniquement dans des environnements correctement ventilés. N'utilisez pas l'équipement dans des endroits exposés aux courants d'air afin de ne pas vous enrhumier.
- Utilisez l'équipement uniquement à une température ambiante entre 10 °C~35 °C. Rangez l'équipement uniquement à une température ambiante entre 5 °C~45 °C.
- N'utilisez et ne rangez pas l'équipement dans un environnement humide. L'humidité de l'air ne doit jamais dépasser 80 %.
- Utilisez l'équipement uniquement pour son usage prévu. N'utilisez pas l'équipement pour d'autres usages que ceux décrits dans le manuel.

- N'utilisez pas l'équipement si l'une de ses pièces est endommagée ou défectueuse. Si une pièce est endommagée ou défectueuse, contactez votre revendeur.
- Maintenez vos mains, vos pieds et les autres parties de votre corps à l'écart des pièces mobiles.
- Maintenez votre chevelure à l'écart des pièces mobiles.
- Portez des vêtements et des chaussures adaptés.
- Maintenez les vêtements, bijoux et autres objets à l'écart des pièces mobiles.
- Assurez-vous qu'une seule personne utilise l'équipement à la fois. L'équipement ne doit pas être utilisé par des personnes pesant plus de 100 kg (220 lbs).
- N'ouvrez pas l'équipement sans consulter votre revendeur.

Sécurité électrique

- Avant usage, assurez-vous toujours que la tension secteur est identique à celle de la plaque signalétique de l'équipement.
- N'utilisez pas de rallonge.
- Maintenez le câble secteur à l'écart de la chaleur, de l'huile et des bords coupants.
- N'altérez et ne modifiez aucunement le câble secteur ou la fiche secteur.
- N'utilisez pas l'équipement si le câble secteur ou la fiche secteur est endommagé ou défectueux. Si le câble secteur ou la fiche secteur est endommagé ou défectueux, contactez votre revendeur.
- Déroulez toujours complètement le câble secteur.
- Ne passez pas le câble secteur sous l'équipement. Ne passez pas le câble secteur sous un tapis. Ne placez aucun objet sur le câble secteur.
- Assurez-vous que le câble secteur ne pend pas sur le bord d'une table. Assurez-vous que le câble secteur ne peut pas être happé par accident ou faire trébucher.
- Ne laissez pas l'équipement sans surveillance si la fiche secteur est insérée dans la prise murale.
- Ne tirez pas sur le câble secteur pour retirer la fiche secteur de la prise murale.
- Retirez la fiche secteur de la prise murale lorsque l'équipement n'est pas utilisé, avant l'assemblage et le démontage et avant le nettoyage et la maintenance.

⚠ AVERTISSEMENT

- Une variation de tension d'au moins dix pour cent (10 %) peut avoir une incidence sur les performances du tapis de course. De telles conditions ne sont pas couvertes par votre garantie. Si vous avez l'impression que la tension est trop basse, vous devez contacter votre compagnie d'électricité ou un électricien qualifié pour tester le circuit électrique.

⚠ AVERTISSEMENT

- Eloignez de câble d'alimentation de toute pièce mobile du tapis de course, y compris du mécanisme d'inclinaison et des roulettes destinées au transport.

⚠ AVERTISSEMENT

- N'utilisez jamais d'eau ou tout autre liquide directement sur ou à proximité de l'équipement, mais uniquement à l'aide d'un chiffon humide si cela est nécessaire pour nettoyer la machine.
- L'utilisation directe de liquide est nocive pour les composants de l'équipement et peut entraîner un choc électrique causé par un court-circuit. Cela pourrait entraîner des blessures graves, voire mortelles.

Instructions de mise à la terre

Ce produit doit être mis à la terre. Si le système électrique du tapis de course présente une défaillance ou une panne, sa mise à la terre fournit un chemin de moindre résistance au courant électrique, réduisant ainsi le risque de décharge électrique. Ce produit est

équipé d'un câble pourvu d'une fiche de terre. Cette fiche doit être branchée dans une prise appropriée, correctement installée et mise à la terre conformément aux normes et règlements locaux.

⚠ AVERTISSEMENT

- Un branchement inadéquat du conducteur de terre peut entraîner des risques de décharge électrique. Veuillez consulter un électricien qualifié si vous avez des doutes sur la mise à la terre du produit selon les règles. Ne modifiez pas la fiche fournie avec le produit lorsqu'elle n'entre pas dans la prise ; faites installer une prise adéquate par un électricien qualifié.

Instructions de montage

Illustration de description A

Cette illustration montre ce à quoi le trainer ressemblera une fois le montage terminé.

Vous pouvez l'utiliser au titre de référence lors du montage mais suivez bien les étapes de montage dans l'ordre indiqué tel que les illustrations le montrent.

Illustration de description B

Cette illustration montre les composants et les pièces que vous devez trouver après avoir déballé le produit.

⚠ REMARQUE

- Les petites pièces peuvent être cachées/rangées dans des espaces de la protection en polystyrène du produit.
- Si une pièce manque, contactez votre revendeur.

Illustration de description C

Cette illustration montre le kit de quincaillerie fourni avec le produit. Le kit de quincaillerie contient des boulons, des rondelles, des vis, des écrous, etc. ainsi que les outils vous permettant d'installer correctement votre trainer.

Illustration de description D

Ces illustrations vous indiquent l'ordre de montage correct pour monter votre trainer.

⚠ REMARQUE

- Les numéros des pièces indiqués lors des étapes de montage commencent par le dessin des pièces que vous trouverez dans la version du manuel disponible en ligne.

⚠ AVERTISSEMENT

- Assemblez l'équipement dans l'ordre indiqué.
- Deux personnes au moins sont nécessaires pour transporter et déplacer l'équipement.

⚠ PRÉCAUTION

- Placez l'équipement sur une surface plane et ferme.
- Placez l'équipement sur une base protectrice pour éviter d'endommager la surface du sol.
- Prévoyez un dégagement d'au moins 100 cm autour de l'équipement.
- Consultez les illustrations pour l'assemblage correct de l'équipement.

⚠ NOTE

- Conservez les outils livrés avec ce produit après son montage, pour d'éventuels entretiens.

Informations environnementale supplémentaires

Élimination des emballages

Les réglementations gouvernementales nous demandent de réduire la quantité de matériaux déposés dans les décharges. C'est pour cela que nous faisons appel à votre responsabilité et vous demandons de déposer les emballages dans des centres de recyclage publics.

Élimination du produit

Chez Tunturi, nous espérons que vous profiterez longtemps de votre appareil de fitness. Cependant, nous savons bien qu'un jour ou l'autre votre machine arrivera au terme de sa vie utile. Selon la directive européenne sur les DEEE, vous êtes responsable de vous séparer correctement de votre appareil de fitness en le déposant dans un site public agréé de récupération des déchets.

Exercices

Un exercice doit être suffisamment léger mais prolongé. L'exercice aérobique repose sur l'amélioration de l'absorption maximum d'oxygène par le corps, améliorant à son tour l'endurance et la forme. Vous devez transpirer mais sans jamais être à bout de souffle durant l'exercice.

Pour atteindre et entretenir un niveau de forme basique, exercez-vous au moins 3 fois par semaine, par session de 30 minutes. Accroissez le nombre des sessions d'exercice pour améliorer votre niveau de forme. Il est profitable de combiner un exercice régulier et un régime sain. Une personne suivant un régime doit s'exercer au quotidien, au début 30 minutes ou moins pour chaque session afin d'accroître ensuite progressivement le temps d'exercice quotidien pour atteindre une heure. Commencez vos exercices à une vitesse lente et avec une faible résistance pour éviter de soumettre le système cardiovasculaire à une contrainte excessive. À mesure de l'amélioration de votre forme, accroissez progressivement la vitesse et la résistance. L'efficacité de votre exercice est mesurable en suivant votre fréquence cardiaque et votre pouls.

Instructions d'entraînement

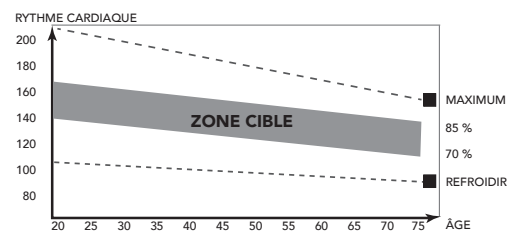
L'utilisation de votre appareil de fitness vous procurera plusieurs avantages : il vous permettra d'améliorer votre forme physique, de tonifier vos muscles et, associé à un régime hypocalorique, de perdre du poids.

Phase d'échauffement

Cette étape favorise la circulation du sang dans tout le corps et le bon fonctionnement des muscles. Elle réduit également le risque de crampes et de lésions musculaires. Il est conseillé de faire quelques exercices d'étirement, comme ceux qui sont indiqués ci-dessous. Chaque étirement doit être maintenu pendant environ 30 secondes. Ne forcez pas ou n'étirez pas excessivement un muscle. Si vous sentez qu'une position vous fait mal, ARRÊTEZ.

Phase d'exercice

C'est l'étape principale de votre entraînement. Après une utilisation régulière de l'appareil, vous sentirez que les muscles de vos jambes ont gagné en souplesse. Il est très important de maintenir un rythme régulier tout au long de la séance. Le rythme de travail doit être suffisant pour faire monter votre rythme cardiaque dans la zone cible indiquée sur le graphique ci-dessous.



Cette étape doit durer au moins 12 minutes, bien que l'on commence généralement à environ 15-20 minutes.

Phase de refroidissement

Cette étape a pour objectif de laisser votre système cardiovasculaire et vos muscles reprendre leur rythme normal. Il s'agit d'une répétition de l'exercice d'échauffement. Baissez le rythme et continuez pendant environ 5 minutes. Vous devez ensuite refaire les exercices d'étirement et souvenez-vous de ne pas forcer ou trop étirer un muscle dans une certaine position.

À mesure que vous améliorerez votre forme, vous ressentirez peut-être le besoin de vous entraîner plus longtemps ou de faire des entraînements plus poussés.

Il est conseillé de s'entraîner au moins trois fois par semaine et, si possible, d'espacer les séances régulièrement tout au long de la semaine.

Tonification musculaire

Pour tonifier vos muscles à l'aide de l'appareil de fitness, vous devrez sélectionner une résistance assez élevée. Les muscles de vos jambes seront davantage sollicités et vous ne pourrez peut-être pas vous entraîner aussi longtemps que vous le voudriez. Si vous souhaitez également améliorer votre forme, vous devrez modifier votre programme d'entraînement. Entraînez-vous normalement pendant les phases d'échauffement et de refroidissement, mais vers la fin de l'exercice, augmentez la résistance en faisant travailler vos jambes davantage. Vous devrez réduire la vitesse pour maintenir votre rythme cardiaque dans la zone cible.

Perte de poids

Ici, le facteur important est l'effort que vous déployez. Plus vous entraînez longtemps et de manière soutenue, plus vous brûlerez de calories. C'est en réalité le même principe que pour l'entraînement d'amélioration de la forme ; la différence est l'objectif recherché.

Fréquence cardiaque

NOTE

- Cet entraîneur ne vient pas avec un moniteur de fréquence cardiaque intégré. Lorsque vous souhaitez surveiller votre fréquence cardiaque, vous devez utiliser un appareil supplémentaire.

Fréquence cardiaque maximum (durant l'exercice)

La fréquence cardiaque maximum est la fréquence la plus élevée qu'une personne peut atteindre en toute sécurité sous la contrainte de l'exercice. La formule suivante sert à calculer la fréquence cardiaque maximum moyenne : $220 - \text{ÂGE}$ La fréquence cardiaque maximum varie d'une personne à l'autre.

AVERTISSEMENT

- Assurez-vous de ne pas dépasser votre fréquence cardiaque maximum durant l'exercice. Si vous appartenez à un groupe à risque, consultez un médecin.

Débutant

50-60% de fréquence cardiaque maximum

Adapté aux débutants, aux personnes suivant leur poids, aux convalescents et aux personnes ne s'exerçant pas depuis un certain temps. Exercez-vous au moins trois fois par semaine, par session de 30 minutes.

Avancé

60-70% de fréquence cardiaque maximum

Adapté aux personnes souhaitant améliorer et entretenir leur forme. Exercez-vous au moins trois fois par semaine, par session de 30 minutes.

Expert

70-80% de fréquence cardiaque maximum

Adapté aux personnes les plus en forme, habituées aux exercices d'endurance prolongés.

Usage

Commandes de puissance

Interrupteur d'alimentation principale (fig. E-A)

L'équipement comporte un interrupteur d'alimentation principale pour le mettre complètement hors tension.

Démarrage de l'équipement:

- Insérez la fiche secteur dans la prise murale.
- Positionnez l'interrupteur d'alimentation principale sur marche (ON).

Arrêt de l'équipement :

- Positionnez l'interrupteur d'alimentation principale sur arrêt (OFF).
- Retirez la fiche secteur de la prise murale..

Disjoncteur (Fig. E-B)

L'équipement comporte un disjoncteur qui coupe le circuit d'alimentation si la charge électrique dépasse la capacité maximum. En ce cas, vous devez appuyer sur le disjoncteur.

AVERTISSEMENT

- Avant d'appuyer sur le disjoncteur, retirez la fiche secteur de l'équipement.

Si l'équipement s'arrête, procédez comme suit pour le redémarrer :

- Retirez la fiche secteur de l'équipement.
- Appuyez sur le disjoncteur pour redémarrer l'équipement.
- Insérez la fiche secteur dans l'équipement.

REMARQUE

- Certains disjoncteurs utilisés dans des habitations ne sont pas conçus pour les appels de courant importants qui peuvent se produire lors de la mise en marche d'un tapis de course, voire pendant une utilisation normale. Si votre tapis de course déclenche le disjoncteur (même si la tension est correcte et si le tapis est le seul appareil branché sur le circuit), mais si le disjoncteur du tapis de course ne se déclenche pas, vous devez remplacer le disjoncteur par un type conçu pour des appels de courant importants. Il ne s'agit pas d'un défaut de garantie. C'est une situation qui échappe à notre contrôle en tant que fabricant.

Pliage (Fig. F1 et F2)

Pliage

L'équipement peut être replié avant rangement afin que le tapis d'entraînement n'occupe pas trop d'espace.

- Placer l'interrupteur principal sur OFF.
- Retirer le cordon d'alimentation de la prise murale.
- Desserrer la molette (7) située au bas (à gauche) du tapis et le retirer du cadre.
- Replier lentement la plateforme de course pour éviter au cadre vertical de se renverser. (Tout en tenant la molette de fixation (7) dans la main)
Éviter de pincer le cordon d'alimentation lors du pliage.
- Placer la molette de fixation (7) à mi-chemin sur le tube vertical (à gauche) et l'insérer dans la fente de la plateforme de course, puis la fixer fermement.
Ne pas lâcher la plateforme du tapis avant de bien la fixer car elle pourrait retomber accidentellement.
- Ranger le cordon d'alimentation à un endroit où il ne risque pas d'être endommagé, pincé ou de provoquer un trébuchement.

Pliage

- Desserrer la molette de fixation (7) à mi-chemin sur le tube vertical (à gauche) tout en soutenant la plateforme et la retirer du cadre.
- Rabattre la plateforme du tapis tout en la soutenant jusqu'en bas. Éviter de pincer le câble d'alimentation lors du dépliage.
- Insérer la molette de fixation au bas (à gauche) de l'appareil et la fixer fermement.

Consulter les illustrations pour connaître la bonne manière de déplier et de plier l'équipement.

Clé de sécurité (Fig F-3)

L'équipement comporte une clé de sécurité qui doit être correctement insérée dans la console pour démarrer l'équipement. Si vous retirez la clé de sécurité de la console, l'équipement s'arrête immédiatement.

- Insérez la clé de sécurité dans la fente de la console.
- Assurez-vous que le clip de la clé de sécurité est bien fixé à vos vêtements.
Assurez-vous que le clip n'est pas retiré de vos vêtements avant que la clé de sécurité ne soit retirée de la console.

REMARQUE

- La console affichera le code « - - - » lorsque la clé de sécurité n'est pas en position pendant le démarrage.

Interface de l'utilisateur (fig. E-1)

PRÉCAUTION

- Maintenez la console à l'écart de la lumière directe du soleil.
- Séchez la surface de la console dès qu'elle est couverte de gouttes de sueur.
- Ne vous appuyez pas sur la console.
- Touchez l'affichage uniquement avec le bout du doigt. Assurez-vous de ne pas toucher l'affichage avec vos ongles ou des objets coupants.

NOTE

- La console passe en mode de veille si l'équipement n'est pas utilisé pendant 10 minutes.

Boutons

Mode

- Sélectionner le mode programmes (P0 ~ P12)
- Confirmez le réglage pour passer à l'étape suivante du mode programmes.

Set (Réglage)

- Définissez l'(es)objectif(s) de votre séance d'entraînement lorsque vous êtes en mode programmes.

Start/Stop (Marche/Arrêt)

- Démarrez l'entraînement sélectionné après un compte à rebours de 5 secondes lorsque vous êtes en mode arrêt.
- En mode entraînement, l'appareil s'arrête progressivement.

Flèche unique vers le haut (+ 0,1)

- Augmente la vitesse de 0,1 km/h à la fois.
- En appuyant et en maintenant le bouton enfoncé pendant deux secondes, la vitesse augmentera plus rapidement.
- Augmentez les valeurs cibles lorsque vous êtes en mode programmes.

Distance	+ 0,1 km
Calories	+ 1,0 K/ Cal
Temps	+ 1,0 min.

Double flèche vers le haut (+ 1,0)

- Augmente la vitesse de 1,0 km/h à la fois.
- En appuyant et en maintenant le bouton enfoncé pendant deux secondes, la vitesse augmentera plus rapidement.
- Augmentez les valeurs cibles lorsque vous êtes en mode programmes.
- Augmentez les valeurs cibles lorsque vous êtes en mode programmes.

Distance	+ 1,0 km
Calories	+ 10 K/ Cal
Temps	+ 10 min.

Flèche unique vers le bas (- 0,1)

- Diminue la vitesse de 0,1 km/h à la fois.
- En appuyant et en maintenant le bouton enfoncé pendant deux secondes, la vitesse diminuera plus rapidement.
- Diminue les valeurs cibles lorsque vous êtes en mode programmes.

Distance	- 0,1 km
Calories	- 1,0 K/ Cal
Temps	- 1,0 min.

Double flèche vers le bas (- 1,0)

- Diminue la vitesse de 1,0 km/h à la fois.
 - En appuyant et en maintenant le bouton enfoncé pendant deux secondes, la vitesse diminuera plus rapidement.
 - Augmentez les valeurs cibles lorsque vous êtes en mode programmes.
- | | |
|----------|-------------|
| Distance | - 1,0 km |
| Calories | - 10 K/ Cal |
| Temps | - 10 min. |

REMARQUE

- Les boutons de réglage de la vitesse fonctionnent seulement en mode entraînement P0.

Explications des éléments de l'écran

Speed (Vitesse)

- Affiche la sélection de programmes en étant en mode programmes.
 - Affiche un compte à rebours de 5 secondes lorsque vous appuyez sur le bouton « Démarrer ».
 - Affiche la vitesse réelle du tapis de course en mode entraînement.
- Plage d'affichage : 1,0 ~ 10,0 km/h ± 0,1 km/h

Time (Durée)

- Affiche la durée courue en mode entraînement.
 - Affichez le temps restant lorsque vous êtes en mode entraînement et que vous avez défini un objectif d'entraînement pour le temps.
 - Affiche le temps à atteindre en mode programmes.
- Plage d'affichage : 00:01 ~ 99:99

Distance

- Affiche la distance courue en mode entraînement.
 - Affichez la distance restante lorsque vous êtes en mode entraînement et que vous avez défini un objectif d'entraînement pour la distance.
 - Affiche la distance à atteindre en mode programmes.
- Plage d'affichage : 0,0 ~ 99,9 km ± 0,1 km

Calories

- Affiche les calories brûlées en mode entraînement.
 - Affichez les calories restantes lorsque vous êtes en mode entraînement et que vous avez défini un objectif d'entraînement pour les calories.
 - Affiche les calories à atteindre en mode programmes.
- Plage d'affichage : 0 ~ 999 K.Cal.

Le voyant des calories s'allume lorsque les calories sont affichées.

REMARQUE

- Ces données sont fournies à titre indicatif pour comparer différentes séances d'entraînement. Elles ne doivent pas être utilisées dans le cadre d'un traitement médical.

REMARQUE

- L'affichage de la « Distance » et des « Calories » se met à jour toutes les 5 secondes.
- Utilisez le bouton « SET » pour figer l'affichage,
- Utilisez Set pour basculer entre la distance et les calories. Utilisez le bouton Mode pour dégeler l'écran ou démarrez à nouveau le scan en mode figé.

Programmes

Quick start (Démarrage rapide)

- Appuyez sur le bouton « Marche/arrêt » pour commencer votre entraînement sans paramètres prédéfinis.
- Le tapis roulant démarre à la vitesse minimale de 1,0 km/h.
- Réglez manuellement la vitesse à tout moment pour modifier votre entraînement.

Fin de l'entraînement

- Appuyez sur le bouton « Marche/arrêt » pour arrêter l'entraînement et réinitialiser la console.
- Appuyez sur le bouton « Arrêt » pour arrêter l'entraînement et réinitialiser la console.

Preset Programs (Programmes prédéfinis, P0)

Appuyez sur le bouton « Mode » en mode arrêt pour basculer entre les modes programmes. Sélectionnez P0 pour sélectionner le programme manuel.

Si vous ne souhaitez pas définir un objectif, appuyez directement sur le bouton « Marche/arrêt » et le tapis roulant commencera la séance d'entraînement sans définir d'objectif.

Toutes les valeurs affichées sont comptées et le tapis roulant ne s'arrête pas, sauf si vous appuyez sur le bouton « Marche/arrêt ». La vitesse est réglée par l'utilisateur pendant l'entraînement à tout moment en mode P0.

Pour fixer un objectif pour : Temps, Calories ou Distance.

Fixation d'un objectif de temps pour l'entraînement

- Appuyez une fois sur la touche « Set » pour ouvrir le mode de programmation cible lorsque vous avez sélectionné P0 dans le mode de sélection des programmes.
- La fenêtre « Time » affichera 30:00 clignotant comme temps cible par défaut en minutes à régler.
- Appuyez sur la « Double flèche vers le haut/bas » pour modifier le temps cible selon vos besoins.
Plage cible : 5:00 ~ 99:00 ± 1:00 minutes.
- Appuyez sur la touche « Marche/arrêt » pour commencer votre entraînement.

Fixation d'un objectif de distance pour l'entraînement

- Appuyez une fois sur la touche « Set » pour ouvrir le mode de programmation cible lorsque vous avez sélectionné P0 dans le mode de sélection des programmes.
- La fenêtre « Distance » affichera 1:00 clignotant comme distance cible par défaut en km à régler.
- Appuyez sur la « Double flèche vers le haut/bas » pour modifier la distance cible selon vos besoins.
Plage cible : 0,5 ~ 99,9 ± 0,1 km.
- Appuyez sur la touche « Marche/arrêt » pour commencer votre entraînement.

Fixation d'un objectif de calories pour l'entraînement

- Appuyez trois fois sur la touche « Set » pour ouvrir le mode de programmation cible lorsque vous avez sélectionné P0 dans le mode de sélection des programmes.
- La fenêtre « Calories » affichera 50 clignotant comme objectif par défaut en calories à régler.

- Appuyez sur la « Double flèche vers le haut/bas » pour modifier les calories cibles selon vos besoins.
Plage cible : 10 ~ 999 K.Cal.
- Appuyez sur la touche « Marche/arrêt » pour commencer votre entraînement.

Programmes prédéfinis (P1 ~ P12)

Pour les programmes prédéfinis, la vitesse est fixe et, par conséquent, la distance et les calories ne peuvent pas être définies comme des objectifs car elles sont directement liées à votre temps d'entraînement.

La durée d'entraînement peut être définie comme un objectif.
Plage cible : 5:00 ~ 99:00 ± 1:00 minutes.

- Appuyez sur le bouton « Mode » en mode arrêt pour basculer entre les modes programmes. Sélectionnez P1 ~ P12 selon vos préférences pour choisir un programme prédéfini. Il n'est pas nécessaire de confirmer le programme sélectionné.
- La fenêtre « Time » affichera 30:00 clignotant comme temps cible par défaut en minutes à régler.
- Appuyez sur la « Double flèche vers le haut/bas » pour modifier le temps cible selon vos besoins.
Plage cible : 5:00 ~ 99:00 ± 1:00 minutes.
- Appuyez sur la touche « Marche/arrêt » pour commencer votre entraînement.

REMARQUE

- Les différents profils de programme sont visibles dans la fig. G.
- Chaque profil préprogrammé est divisé en 20 sections, chaque segment représentant 1/20 du temps cible prédéfini.

Le bouton set remet à zéro

Nettoyage et maintenance

AVERTISSEMENT

- Votre appareil d'entraînement nécessite un entretien mensuel, même lorsqu'il n'est pas utilisé.
- Avant le nettoyage et la maintenance, retirez la fiche secteur de la prise murale.
- N'utilisez aucun solvant pour nettoyer l'équipement.

- Ne bloquez pas les ouvertures de ventilation. Débarrassez les ouvertures de ventilation de toute poussière, salissure ou obstruction.
- Nettoyez l'équipement avec un chiffon doux et absorbant après chaque usage.
- Nettoyez les parties visibles de l'équipement avec un aspirateur doté d'un petit suceur.
- Vérifiez régulièrement le serrage de tous les écrous et vis.

ATTENTION

- Nous vous recommandons d'utiliser uniquement des chaussures d'intérieur sur votre tapis de course. Si vous n'en avez pas, nous vous recommandons de vérifier la propreté des semelles de vos chaussures avant de les utiliser sur votre tapis de course, car le tapis de course ne supporte pas la saleté de l'extérieur.

Nettoyage général

Les saletés, la poussière et les poils d'animaux peuvent bloquer les entrées d'air et s'accumuler sur le tapis. Tous les mois : passez l'aspirateur sous le tapis de course pour éviter l'accumulation.
DEBRANCHEZ L'APPAREIL AVANT LE NETTOYAGE

Poussière de tapis

Le tapis dégage de la poussière lors d'un rodage normal jusqu'à ce que le tapis se stabilise. Essayez la poussière à l'aide d'un chiffon humide pour éviter qu'elle s'accumule.

Tapis et surface

Votre tapis de course utilise planche à basse friction très efficace. Les performances sont maximisées lorsque la plateforme de course est maintenue propre et exempte de poussière et de saleté. Les particules de saleté et de poussière entre la plateforme de course et le tapis de course endommagent la surface de la plateforme de course, ce qui affecte les performances et la durée de vie du produit.

Comment nettoyer la plateforme de course

Utilisez un chiffon doux et sec pour essuyer le bord du tapis et la zone située entre le bord du tapis et le cadre. Essayez également de passer la main sous les bords du tapis de course pour enlever la saleté accumulée sur les bords.

Comment nettoyer la surface de du tapis de course

Utilisez tout d'abord une brosse à récurer en nylon pour éliminer les particules détachées du tapis de course. Utilisez ensuite un chiffon humide essoré (sans nettoyant ni abrasif) pour nettoyer délicatement la surface du tapis de course. Laissez le tapis sécher complètement avant de l'utiliser.

REMARQUE

- Lorsque votre tapis est trop sale pour être nettoyé uniquement à l'eau, vous pouvez utiliser un savon doux, mais jamais un solvant lubrifiant.
- Veillez à ce que la solution se trouve à tout moment entre la plateforme de course et le tapis de course.

Cette opération doit être effectuée régulièrement pour prolonger la durée de vie de lu tapis et de la plateforme de course.

Lubrification (fig. F-5)

REMARQUE

- La bande de course du tapis de course est prélubrifiée avant d'être montée sur votre tapis pendant la production de l'appareil. Il n'est donc pas nécessaire de la lubrifier lors de la première utilisation.

L'état de lubrification du tapis de course doit régulièrement être vérifié. C'est pourquoi le tapis de course est muni d'une fonction de rappel toutes les 300 km La « TIME WINDOW » affichera « OIL » et diffusera un bip toutes les 10 secondes pour vous le rappeler. Suivez la procédure de vérification ci-dessous et supprimez le message « OIL » ainsi que le signal sonore en maintenant enfoncé le bouton « MODE » pendant au moins 3 secondes pendant le signal d'alarme.

AVERTISSEMENT

- Avant la lubrification, retirez la fiche secteur de la prise murale.

PRÉCAUTION

- Nous vous recommandons de vérifier le graissage de la bande en cours d'exécution au moins une fois par mois, car davantage de facteurs que le temps peuvent être déterminants pour l'état du lubrifiant.
- Lubrifiez le tapis roulant uniquement si c'est nécessaire. Une lubrification excessive peut faire patiner le tapis roulant du fait du manque de friction.

- Tenez-vous fermement sur le tapis roulant.
- Serrez le guidon avant et poussez le tapis roulant avec vos pieds afin de lui imprimer un mouvement avant-arrière. Le tapis roulant doit rouler régulièrement et silencieusement.
- Si le tapis roulant ne roule pas régulièrement et silencieusement ou s'il ne roule pas du tout, touchez la partie inférieure du tapis roulant avec vos doigts pour vérifier la lubrification.
 - Si vous sentez le lubrifiant ou si vos doigts sont brillants, le tapis est suffisamment lubrifié.
 - Si vous ne sentez pas le lubrifiant ou si vos doigts sont poussiéreux ou rugueux, appliquez du lubrifiant (± 10 ml.) au milieu du plateau roulant sous le tapis roulant et laissez l'équipement fonctionner à 5 km/h durant au moins 5 minutes.
 - Après la lubrification, ne pliez pas l'équipement avant d'avoir effectué un entraînement de 2 minutes à une vitesse d'au moins 5 km/h. Le lubrifiant sera ainsi entièrement absorbé par le tapis de course et sera réparti uniformément.

REMARQUE

- Si 5 km/h est trop rapide pour vous, marchez à la vitesse souhaitée, mais prolongez la durée de la marche pendant au moins 5 minutes.



Cliquez pour voir notre vidéo YouTube d'assistance
<https://youtu.be/ceaOYnofY5k>

Réglages de la courroie de course

Le niveau de performance de votre tapis de course dépend de la planéité de la surface sur laquelle il fonctionne. Lorsque le châssis n'est pas horizontal, le rouleau avant et le rouleau arrière ne peuvent pas rester parallèles et le tapis devra être centré sans cesse.

Cet appareil est conçu de façon à ce que le tapis reste raisonnablement centré lorsqu'il est en service. Il est normal que certains tapis ont tendance à dériver lorsque personne ne se trouve dessus. Après quelques minutes, le tapis devrait se centrer automatiquement. Si le tapis continue à dériver, il faudra le centrer.

EXCEPTION

Lors d'une rééducation, pendant laquelle l'utilisateur marche sur une jambe plus forte que l'autre, il se peut que le tapis dérive. Dans de tels cas, vous ne devez pas centrer le tapis, à moins que le tapis ne se centre pas automatiquement dans des conditions d'utilisation normales.

Réglage de la tension de la courroie

- Serrez les boulons du rouleau arrière (dans le sens des aiguilles d'une montre) juste assez pour empêcher que le tapis patine sur le rouleau avant. Tournez les deux boulons de réglage de la tension du tapis par incréments d'un quart de tour et contrôlez la tension en marchant lentement sur le tapis et en vous assurant que celui-ci ne patine pas. Continuez à serrer les boulons jusqu'à ce que le tapis cesse de patiner.
- Si vous avez l'impression que le tapis est assez serré mais patine encore, le problème provient peut-être d'une courroie de transmission lâche sous le capot avant.
- Ne serrez pas trop: Un serrage excessif peut endommager le tapis et entraîner une défaillance prématurée des roulements.



Cliquez pour voir notre vidéo YouTube d'assistance
https://youtu.be/pp4_4bL1MXo

Centrage du tapis de course (fig. F-4)

Le centrage du tapis de course est nécessaire lorsque votre tapis de course ne suit pas le centre de votre surface de course. Cela se remarque facilement lorsque l'écart entre le rail latéral et le tapis de course est nettement plus grand d'un côté que de l'autre. Cela peut être causé par ce qui suit :

CAUSE 1

Vous utilisez une jambe plus puissante lors des poussées pendant votre entraînement. Le tapis est alors poussé sur le côté, mais cela se corrige automatiquement en laissant le tapis en marche sans charge pendant quelques minutes.

CAUSE 2

Votre tapis de course n'est pas à l'horizontale, où la gravité tire lentement le tapis de course vers l'extrémité la plus basse du tapis de course. Ceci doit être corrigé en mettant le tapis roulant à niveau correctement, car ce problème ne peut être résolu par aucun autre réglage.

CAUSE 3

Le tapis de course n'est pas correctement centré entre les tambours à rouleaux avant et arrière. Cela doit être corrigé en ajustant le suivi du tapis de course comme décrit ci-dessous.

Pour régler l'alignement du tapis de course, utilisez la clé Allen fournie avec votre tapis de course.

- Réglez votre tapis de course à une vitesse de ± 5 km/h, sans courir dessus.
- Lorsque le tapis de course se déplace vers le côté droit.
Tournez d'un quart de tour dans le sens inverse des aiguilles d'une montre la vis de réglage du rouleau arrière gauche, située à l'extrémité arrière dans une douille du couvercle du rouleau arrière.
- Lorsque le tapis de course se déplace vers le côté gauche.
Tournez d'un quart de tour dans le sens inverse des aiguilles d'une montre la vis de réglage du rouleau arrière droit, située à l'extrémité arrière dans une douille du couvercle du rouleau arrière.
- Attendez ± 2 minutes pour laisser au tapis de course le temps de réagir au réglage avant de répéter les étapes de réglage si nécessaire pour obtenir le résultat souhaité.

REMARQUE

- Rappelez-vous qu'un petit ajustement peut faire une grande différence, alors faites les réglages par petites étapes à la fois.



Cliquez pour voir notre vidéo YouTube d'assistance
<https://youtu.be/qx5AvTv00J4>

Il se peut que vous deviez centrer le tapis de temps en temps en fonction de l'utilisation et de votre façon de marcher/de courir. Pour certains utilisateurs, le centrage se fera d'une façon différente. Attendez-vous à procéder aux ajustements nécessaires au centrage du tapis. Au fur et à mesure que le tapis est utilisé, ces ajustements vous causeront moins de soucis. Il est de la responsabilité de tout propriétaire de bien centrer son tapis de course.

NOTE

- Les dommages causés au tapis résultant d'un mauvais centrage / réglage de la tension ne sont pas couverts par la garantie.

Defauts de fonctionnement

En dépit d'un contrôle continu de la qualité, l'appareil peut présenter des défauts ou des anomalies de fonctionnement provenant de certains de ses composants. Dans ce cas, il n'est pas cependant nécessaire d'aller faire réparer votre appareil, le problème pouvant bien souvent être résolu par simple changement de la pièce défectueuse.

Contactez votre distributeur au cas où vous remarqueriez un défaut ou un mauvais fonctionnement de votre l'appareil ou si vous avez besoin de pièces de rechange. Indiquez-lui la nature du problème, les conditions d'utilisation, la date d'achat, le modèle et le numéro de série.

Vous trouverez la liste des pièces détachées à la fin de ce mode d'emploi. Seules des pièces mentionnées dans la liste des pièces de rechange peuvent être utilisées dans l'appareil.

Codes d'erreur

Si l'affichage indique un code d'erreur ("E" + un nombre), redémarrez l'équipement et vérifiez si le code d'erreur s'affiche toujours. Si le code d'erreur persiste, contactez immédiatement le revendeur.

Oil

OIL n'est pas un code d'erreur, voir «Lubrification».

Code "-- -- --"

La console affichera le code "-- -- --" lorsque la clé de sécurité n'est pas en position pendant le démarrage.
"-- -- --" n'est pas un code d'erreur, voir «Clé de sécurité».

Transport et rangement

AVERTISSEMENT

- Avant le nettoyage et la maintenance, retirez la fiche secteur de la prise murale.
- Deux personnes au moins sont nécessaires pour transporter et déplacer l'équipement.
- Assurez-vous que rien, ni personne ne se trouve sous l'équipement.
- En pliant l'équipement, assurez-vous de l'entendre se verrouiller en position afin qu'il ne se déplie pas inopinément.

PRÉCAUTION

- Ne transportez pas cet appareil en le tenant par le cordon, et n'utilisez pas le cordon d'alimentation comme poignée.
- Déplacez l'équipement comme illustré (fig. F3). Déplacez l'équipement et reposez-le prudemment. Placez l'équipement sur une base protectrice pour éviter d'endommager la surface du sol. Déplacez prudemment l'équipement sur les surfaces irrégulières. Ne déplacez pas l'équipement sur ses roues pour monter des escaliers mais transportez-le par les guidons.
- Rangez l'équipement à la verticale (fig. F1). Rangez l'équipement dans un endroit sec exposé à des variations de température minimales.

Garantie

Garantie du propriétaire d'un équipement de Tunturi

Conditions de garantie

Le consommateur est protégé par la législation en vigueur concernant le commerce des biens de consommation. Cette garantie ne limite pas ces droits. La Garantie de l'acheteur n'est valide que si le produit est utilisé dans l'environnement préconisé par la société Tunturi New Fitness BV, et est conservé tel que cela est indiqué pour cet équipement donné. L'environnement approuvé spécifique au produit et les instructions d'entretien sont indiqués dans le « manuel d'utilisation » du produit. Le « manuel d'utilisation » peut être téléchargé sur notre site Web. <http://manuals.tunturi.com>

Conditions de garantie

Les conditions de garantie sont applicables à compter de la date d'achat et peuvent varier selon les pays. Demandez conseil à votre revendeur.

Étendue de la garantie

En aucun cas Tunturi New Fitness BV, le revendeur ou le distributeur Tunturi ne répondra des éventuels dommages spéciaux, indirects, secondaires ou consécutifs, de quelque nature que ce soit, liés à l'utilisation de ou à l'inaptitude à utiliser cet équipement.

Restrictions de garantie

La garantie couvre les défauts de fabrication et de matériaux dans un équipement d'origine, sorti d'usine et conditionné par Tunturi New Fitness BV. La garantie couvre uniquement les défauts apparaissant lors d'une utilisation normale et conforme aux instructions du manuel du propriétaire, à condition que les instructions de montage, de maintenance et d'utilisation établies par Tunturi New Fitness BV aient été respectées. Tunturi New Fitness BV et les revendeurs Tunturi ne répondent pas des défauts occasionnés par des conditions indépendantes de leur volonté. La garantie est applicable uniquement au premier acheteur et est valable uniquement dans les pays où Tunturi New Fitness BV dispose d'un distributeur agréé. La garantie ne s'étend pas aux équipements de fitness ou aux pièces qui ont été modifiées sans l'autorisation de Tunturi New Fitness BV. La garantie ne s'applique pas aux défauts provenant d'une usure normale, d'une utilisation inadaptée, d'une utilisation dans des conditions non prévues par le fabricant, de la corrosion ou d'un dommage intervenu lors du chargement ou du transport.

La garantie ne couvre pas les sons ou les bruits émis par l'équipement s'ils ne gênent pas son utilisation et s'ils ne sont pas provoqués par un dysfonctionnement.

La garantie ne couvre pas non plus les mesures de maintenance, telles que le nettoyage, la lubrification ou la vérification normale des pièces, ni les actions que le client peut effectuer lui-même et qui n'exigent pas particulièrement de monter/ démonter l'équipement. Ces actions sont par exemple le changement des compteurs, des pédales ou autres pièces similaires faciles à changer. Seules les réparations sous garantie effectuées par un revendeur ou par le distributeur agréé Tunturi seront prises en charge. Le non-respect des instructions décrites dans le Manuel de l'Utilisateur entraînera l'annulation de la garantie.

Données techniques

Paramètre	Unité de mesure	Valeur
Tension secteur	VCA	210 ~ 240
Fréquence secteur	HZ	50 ~ 60
Vitesse	Km/H	1.0 ~ 10.0
Inclinaison	Étape	~
Longueur (replié)	Cm	123.5 (27.5)
Largeur	Cm	61.0
Hauteur (replié)	Cm	120.0 (127.0)
Poids	Kg	24.0
Mesure de la fréquence cardiaque disponible via:	Contact par prise en main 5.0 KHz 5,3 kHz. Bluetooth (BLE) ANT+	Non Non Non Non Non

Déclaration du fabricant

Tunturi Fitness BV déclare que le produit est conforme aux directives et normes suivantes : EN 957 (HC), 2014/30/EU . Ce produit porte donc la marque CE.

03-2022

Tunturi New Fitness BV
Purmerweg 1
1311 XE Almere
Pays-Bas

Limite de responsabilité

© 2022 Tunturi New Fitness BV
Tous les droits réservés.

- Le produit et le manuel sont sujets à modifications.
- Les spécifications peuvent changer sans préavis.
- Consultez notre site Web pour obtenir la dernière version du manuel d'utilisation.

Nederlands

Deze Nederlandse handleiding is een vertaling van de Engelse tekst. Aan deze vertaling kunnen geen rechten ontleend worden. De originele Engelse tekst blijft leidend.

Inhoud

Welkom	40
Veiligheidswaarschuwingen	40
Elektrische veiligheid	41
Montage instructies	41
Beschrijving afbeelding A	41
Beschrijving afbeelding B.....	41
Beschrijving afbeelding C	41
Beschrijving afbeelding D	41
Aanvullende milieu informatie	42
Trainingen	42
Instructies	42
Hartslag.....	42
Gebruik	43
Stroom bedieningen	43
Omhoog en omlaag klappen (fig. F1 & F2)	43
Veiligheidssleutel (fig. F-3)	43
Monitor (fig. E-1)	43
Toetsen.....	44
Uitleg van de items op het display	44
Programma's	45
Snelle start.....	45
De workout beëindigen	45
Voorgeprogrammeerde programma's (P0).....	45
Voorgeprogrammeerde programma's (P1 ~ P12)	45
Reiniging en onderhoud	45
Algemene reiniging.....	45
Band en loopvlak	46
Smeren (fig. F-5).....	46
Bandafstellingen.....	46
Gebruiksstoringen	47
Foutcodes	47
Oil.....	47
Code "-- --"	47
Transport en opslag	47
Garantie	48
Technische gegevens	48
Verklaring van de fabrikant	48
Disclaimer	48

Welkom

Welkom in de wereld van Tunturi Fitness!

Hartelijk dank voor uw aankoop van dit Tunturi-toestel. Tunturi biedt een grote verscheidenheid aan professionele toestellen zoals crosstrainers, loopbanden, fietstrainers, roeimachines, krachtbanken, multistations en accessoires. Het Tunturi-toestel is geschikt voor de hele familie, onafhankelijk van de conditie. Meer informatie vindt u op de website www.tunturi.com

Belangrijke Informatie

Deze handleiding is een essentieel onderdeel van uw trainingsapparatuur. Lees alle instructies in deze handleiding voordat u de apparatuur in gebruik neemt. De volgende voorzorgsmaatregelen moeten altijd in acht worden genomen:

Veiligheidswaarschuwingen

⚠ WAARSCHUWING

- Lees de veiligheid-waarschuwingen en de instructies. Het niet opvolgen van de veiligheid-waarschuwingen en de instructies kan persoonlijk letsel of beschadiging van het toestel veroorzaken. Bewaar de veiligheid-waarschuwingen en instructies voor toekomstig gebruik.

⚠ WAARSCHUWING

- Hartslag-bewakingssystemen kunnen onnauwkeurig zijn. Overmatig trainen kan leiden tot ernstig letsel of de dood. Als u zich duizelig voelt, stop dan onmiddellijk met trainen.
- Het toestel is uitsluitend geschikt voor huishoudelijk gebruik. Het toestel is niet geschikt voor commercieel gebruik.
- Het maximum gebruik is beperkt tot 2 uur per dag
- Het gebruik van dit toestel door kinderen of personen met fysieke, sensorische, geestelijke of motorische handicaps, of met gebrek aan ervaring en kennis kan gevaar veroorzaken. De personen die verantwoordelijk zijn voor hun veiligheid moeten uitdrukkelijke instructies geven of toezicht houden op het gebruik van het toestel.
- Laat uw gezondheid door een arts controleren voordat u met uw training begint.
- Als u misselijkheid, duizeligheid of andere abnormale symptomen ervaart, stop dan onmiddellijk met uw training en raadpleeg een arts.
- Om spierpijn en te zware belasting te voorkomen, moet u elke training beginnen met een warming-up en eindigen met een cooling-down. Vergeet niet om uw spieren te strekken aan het einde van de training.
- Het toestel is uitsluitend geschikt voor gebruik binnenshuis. Het toestel is niet geschikt voor gebruik buitenshuis.
- Gebruik het toestel alleen in een omgeving met voldoende ventilatie. Gebruik het toestel niet in een tochtige omgeving om geen kou te vatten.
- Gebruik het toestel alleen in een omgeving met een omgevingstemperatuur tussen 10 °C~35 °C. Berg het toestel alleen op bij een omgevingstemperatuur tussen 5 °C~45 °C.
- Gebruik het toestel niet in een vochtige omgeving. Berg het toestel niet op in een vochtige omgeving. De luchtvochtigheid mag nooit meer zijn dan 80%.
- Gebruik het toestel alleen voor het doel waarvoor het gemaakt is. Gebruik het toestel niet voor andere doelstellingen dan beschreven in de handleiding.

- Gebruik het toestel niet als een onderdeel is beschadigd of niet goed werkt. Raadpleeg uw dealer als een onderdeel is beschadigd of niet goed werkt.
- Houd uw handen, voeten en andere lichaamsdelen uit de buurt van de bewegende delen.
- Houd uw haar uit de buurt van de bewegende delen.
- Draag geschikte kleding en schoenen.
- Houd kleding, sieraden en andere voorwerpen uit de buurt van de bewegende delen.
- Zorg ervoor dat het toestel slechts door één persoon tegelijk wordt gebruikt. Het toestel mag niet worden gebruikt door personen die meer dan 100 kg (220 lbs) wegen.
- Maak het toestel niet open zonder eerst uw dealer te raadplegen.

Elektrische veiligheid

- Controleer voor gebruik altijd of de netspanning gelijk is aan de spanning op het typeplaatje van het toestel.
- Gebruik geen verlengsnoer.
- Houd het snoer uit de buurt van warmte, olie en scherpe randen.
- Verander of wijzig het snoer of de stekker niet.
- Gebruik het toestel niet als het snoer of de stekker beschadigd is of niet goed werkt. Als het snoer of de stekker is beschadigd of niet goed werkt, raadpleeg dan uw dealer.
- Rol het snoer altijd helemaal uit.
- Laat het snoer niet onder het toestel door lopen. Laat het snoer niet onder een kleed door lopen. Plaats geen voorwerpen op het snoer.
- Zorg ervoor dat het snoer niet over de rand van een tafel hangt. Zorg ervoor dat niemand per ongeluk achter het snoer kan blijven haken of erover kan struikelen.
- Laat het toestel niet onbewaakt achter wanneer de stekker in het stopcontact zit.
- Trek niet aan het snoer als u de stekker uit het stopcontact wilt halen.
- Verwijder de stekker uit het stopcontact wanneer het toestel niet in gebruik is, vóór montage of demontage en vóór reiniging en onderhoud.

⚠ WAARSCHUWING

- Als het voltage varieert met tien (10) procent, kan dit de prestaties van de loopband negatief beïnvloeden. Dergelijke omstandigheden vallen niet onder de garantie. Als u vermoedt dat het voltage te laag is, neemt u contact op met het lokale energiebedrijf of een bevoegd elektricien voor het uitvoeren van een test.

⚠ WAARSCHUWING

- Houd het stroom snoer uit de buurt van bewegende onderdelen van de loopband, inclusief het helling-mechanisme en de transportwielrijtjes.

⚠ WAARSCHUWING

- Gebruik nooit water of andere vloeistof direct op of in de buurt van de apparatuur. Als er vocht nodig is om de machine te reinigen, maak dan alleen gebruik van een vochtige doek.
- Direct gebruik van vloeistof op de apparatuur is schadelijk voor de onderdelen en kan leiden tot een elektrische schok als gevolg van kortsluiting.
Dit kan leiden tot ernstig persoonlijk letsel of zelfs de dood.

Aardingsinstructies

Dit product moet worden geaard. Als het elektrische systeem van de loopband niet goed/niet meer werkt, vormt aarding een pad van minste weerstand voor elektrische stroom, waardoor het risico van een elektrische schok afneemt. Dit product is voorzien van een koord met een aardingsstekker. De stekker moet in een geschikt stopcontact worden geplaatst dat op juiste wijze is gemonteerd en geaard in overeenstemming met alle lokale normen en verordeningen.

⚠ WAARSCHUWING

- Onjuiste aansluiting van de aardingsgeleider kan resulteren in risico van een elektrische schok. Neem contact op met een bevoegd elektricien of onderhoudsmonteur als u niet zeker weet of het product goed is geaard. Pas de stekker die met het product wordt geleverd niet aan wanneer het niet in het stopcontact past. Laat een geschikt stopcontact installeren door een bevoegd elektricien.

Montage instructies

Beschrijving afbeelding A

De illustratie laat zien hoe de trainer er na de montage uitziet. U kunt dit als referentie gebruiken tijdens de montage, maar volg de montageschappen altijd in de juiste volgorde, zoals aangegeven op de afbeeldingen.

Beschrijving afbeelding B

De illustratie laat zien welke componenten en onderdelen er in uw pakket moeten zitten.

⚠ OPMERKING

- Kleine onderdelen kunnen soms enigszins verborgen verpakt zitten in holle ruimtes in het beschermende piepschuimmateriaal om het product.
- Raadpleeg uw dealer als een onderdeel ontbreekt.

Beschrijving afbeelding C

De afbeelding toont de hardwarekit die bij uw product wordt geleverd.

De hardwarekit bevat bouten, ringen, schroeven, moeren etc. en het benodigde gereedschap om uw trainer op de juiste manier te monteren.

Beschrijving afbeelding D

Op de afbeeldingen staat aangegeven in welke volgorde de trainer moet worden gemonteerd.

⚠ OPMERKING

- De artikelnummers die in de montageschappen worden weergegeven, beginnen met de onderdelentekening die in de online versie van de gebruikershandleiding te vinden is.

⚠ WAARSCHUWING

- Monteer het apparaat in de aangegeven volgorde.
- Draag en verplaats het toestel met minstens twee personen.

⚠️ VOORZICHTIG

- Zet het toestel op een stevige, vlakke ondergrond.
- Zorg voor een beschermende laag onder het toestel om schade aan het vloerooppervlak te voorkomen.
- Houd rondom de apparatuur ten minste een bewegingsruimte van 100 cm.
- Raadpleeg de illustraties voor de juiste assemblage van het toestel.

⚠️ LET OP

- Bewaar, nadat u het apparaat in elkaar hebt gezet, het gereedschap dat bij dit product is geleverd. Dit met het oog op service op een later tijdstip.

Aanvullende milieu informatie

Afvoeren van verpakkingsmateriaal

Overheids-richtlijnen geven aan dat we de hoeveelheid afvalmateriaal afgevoerd naar stortplaatsen moeten verminderen. Daarom vragen we u al het afvalmateriaal op verantwoorde wijze af te voeren naar openbare recycling-centra.

Verwijdering aan het eind van de levensduur.

We hopen dat u jarenlang plezier hebt van uw fitnessapparaat. Er komt echter een moment waarop het fitnessapparaat het eind van de bruikbare levensduur heeft bereikt. Onder de Europese AEEA-wetgeving bent u verantwoordelijk voor het op de juiste wijze afvoeren van uw fitnessapparaat naar een erkend openbaar inzamelpunt.

Trainingen

De training moet licht genoeg zijn, maar wel langdurig. Aerobische training is gebaseerd op verbetering van de maximale zuurstofopname van het lichaam, die dan het uithoudingsvermogen en de conditie weer verbetert. U moet tijdens de training wel transpireren, maar u mag niet buiten adem raken. Voor het bereiken en in stand houden van een basisconditie moet u minstens drie keer per week steeds 30 minuten trainen. Verhoog het aantal trainingssessies ter verbetering van uw conditie. Het is de moeite waard om regelmatige lichaamsbeweging met gezonde voeding te combineren. Iemand die zich goed aan een dieet houdt, zou elke dag moeten trainen te beginnen met 30 minuten of korter, en de dagelijkse trainingsduur geleidelijk opvoeren tot één uur. Begin uw training bij een lage snelheid en een lage weerstand om te voorkomen dat uw hart en bloedvaten te sterk belast worden. Naarmate uw conditie verbetert, kunnen snelheid en weerstand geleidelijk worden verhoogd. De doelmatigheid van uw training kan worden gemeten door uw hartslag.

Instructies

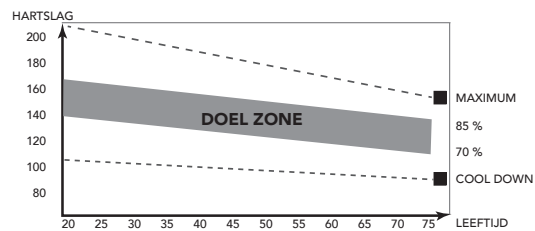
Het gebruik van dit fitness apparaat biedt meerdere voordelen: u verbetert uw fysieke conditie, u versterkt uw spieren en u valt in combinatie met een caloriearm dieet af.

De warming-up

In deze fase wordt uw bloedsomloop gestimuleerd voor een juiste werking van de spieren. Tevens wordt het risico op kramp en spierletsel verminderd. Wij raden u aan enkele stretch oefeningen te doen, zoals hieronder beschreven. Houd elke stretch oefening ongeveer 30 seconden vol. Forceer uw spieren niet bij het stretchen. STOP als het pijn doet

De training fase

Dit is de fase waarin u de meeste inspanning levert. Na regelmatig gebruik worden de spieren in uw benen flexibeler. Het is in deze fase zeer belangrijk dat u een gelijkmatig tempo aanhoudt. De snelheid moet voldoende zijn om uw hartslag te laten stijgen naar de doel zone die in de onderstaande grafiek te zien is.



Deze fase moet minimaal 12 minuten duren, maar de meeste mensen beginnen met ongeveer 15-20 minuten.

De cooling down

In deze fase ontspant u uw cardiovasculaire systeem en spieren. Dit is een herhaling van de warming-uptraining. Verlaag dus uw tempo en ga ongeveer 5 minuten door. Herhaal nu de stretch-oefeningen. Forceer uw spieren niet tijdens het stretchen.

Naarmate u fitter wordt, moet u langer en harder trainen. Het is raadzaam minstens drie keer per week te trainen en zo nodig uw oefeningen gelijkmatig over de week te verspreiden.

Spierversteviging

Als u uw spieren wilt verstevigen met behulp van dit fitnessapparaat, stelt u de weerstand in op hoog. Zo komt er meer spanning op uw beenspieren. Mogelijk kunt u niet zo lang trainen als u zou willen. Als u ook uw conditie wilt verbeteren, moet u het trainingsprogramma aanpassen. Tijdens de warming-up en cooling-down traint u zoals normaal, maar tegen het eind van de trainingsfase verhoogt u de weerstand zodat uw benen harder moeten werken. Verlaag hierbij de snelheid zodat uw hartslag in de doelzone blijft.

Gewichtverlies

Hierbij is het van belang hoeveel inspanning u levert. Hoe harder en langer u werkt, hoe meer calorieën u verbrandt. In feite is dit hetzelfde als wanneer u zou trainen om uw conditie te verbeteren. Het doel is alleen anders.

Hartslag

⚠️ LET OP

- Deze trainer is niet uitgerust met een hartslag registratie module. Wilt u toch uw hartslag controleren dan zult u dit met een extern hulpmiddel moeten doen.

Maximale hartslag (tijdens de training)

De maximale hartslag is de hoogste hartslag die iemand veilig kan bereiken door de belasting van de training. De volgende formule wordt gebruikt voor het berekenen van de gemiddelde maximale hartslag: 220 - LEEFTIJD. De maximale hartslag varieert van persoon tot persoon.

⚠️ WAARSCHUWING

- Zorg ervoor dat u tijdens uw training niet boven uw maximale hartslag komt. Als u bij een risicogroep hoort, moet u een arts raadplegen.

Beginner

50-60% van de maximale hartslag

Geschikt voor beginners, mensen die willen afvallen, herstellende patiënten en personen die lange tijd niet getraind hebben. Train minstens drie keer per week, 30 minuten per keer.

Gevorderd

60-70% van de maximale hartslag

Geschikt voor personen die hun conditie willen verbeteren en in stand houden. Train minstens drie keer per week, 30 minuten per keer.

Expert

70-80% van de maximale hartslag

Geschikt voor de fitste personen die gewend zijn aan langdurige duurtraining.

Gebruik

Stroom bedieningen

Hoofdschakelaar (Fig. E-A)

Het toestel is uitgerust met een hoofdschakelaar om het toestel volledig uit te schakelen.

Starten van het toestel:

- Plaats de stekker in het stopcontact.
- Zet de hoofdschakelaar in de aan-stand (ON).

Stoppen van het toestel:

- Zet de hoofdschakelaar in de uit-stand (OFF).
- Verwijder de stekker uit het stopcontact.

Circuitonderbreker (Fig. E-B)

Het toestel is uitgerust met een circuitonderbreker die het circuit onderbreekt wanneer de elektrische belasting boven de maximale capaciteit komt. Wanneer dit gebeurt, moet de circuitonderbreker worden ingedrukt.

WAARSCHUWING

- Verwijder voor het indrukken van de circuitonderbreker de stekker uit het toestel.

Als het toestel uitschakelt, gaat u als volgt te werk om het toestel opnieuw op te starten:

- Verwijder de stekker uit het toestel.
- Druk de circuitonderbreker in om het toestel opnieuw op te starten.
- Plaats de stekker in het toestel.

LET OP

- Sommige stroomonderbrekers die binnenshuis worden gebruikt, zijn niet berekend op hoge inschakelstroomstoten die kunnen optreden wanneer de loopband voor de eerste keer wordt ingeschakeld of zelfs tijdens normaal gebruik. Als de loopband de stroomonderbreker activeert (zelfs al heeft deze het juiste stroombereik en is de loopband het enige aangesloten apparaat) maar de stroomonderbreker op de loopband zelf niet wordt geactiveerd, moet u de onderbreker vervangen met een type dat is berekend op hoge inschakelstroomstoten. Dit is geen defect dat onder de garantie valt. Dit is een omstandigheid waarop wij als fabrikant geen invloed hebben.

Omhoog en omlaag klappen (fig. F1 & F2)

Omhoog klappen

Het toestel kan worden ingeklapt om je trainer ruimtebesparend op te bergen.

- Zet de aan/uit-schakelaar op de stand "OFF" (uit).
- Haal de stekker uit het stopcontact.
- Draai de borgpen (7) aan de linkeronderzijde van de trainer los en haal hem uit het frame.
- Klap het loopdek voorzichtig omhoog om te voorkomen dat het rechtopstaande frame omvalt. (Houd de borgpen (7) al in je hand) Voorkom dat het netsnoer bekneld raakt wanneer je het loopdek omhoog klapt.
- Breng de borgpen (7) halverwege de linker staande buis aan, bevestig hem in de borgsleuf van het loopdek en zet hem stevig vast. Laat het loopdek van de loopband niet los voordat het loopdek weer volledig is vastgezet, want het kan per ongeluk naar beneden vallen als het niet goed is vastgezet.
- Berg het netsnoer op een plaats op waar het niet beschadigd kan raken, bekneld kan raken of een struikelgevaar kan vormen.

Omlaag klappen

- Draai de borgpen (7) halverwege de linker staande buis los terwijl je het loopdek ondersteunt, en haal hem uit het frame.
- Klap het loopdek van de loopband omlaag en blijf het ondersteunen tot het helemaal beneden is. Voorkom dat het netsnoer bekneld raakt bij het openklappen.
- Monteer de borgpen aan de linkeronderzijde van de trainer en zet hem stevig vast.

In de afbeeldingen zie je hoe het toestel op de juiste manier omhoog en omlaag wordt geklapt.

Veiligheidssleutel (fig. F-3)

Het toestel is uitgerust met een veiligheidssleutel die juist in de console moet worden geplaatst om het toestel te starten. Als u de veiligheidssleutel uit de console verwijdert, stopt het toestel onmiddellijk.

- Plaats de veiligheidssleutel in de sleuf in de console.
- Zorg ervoor dat de clip van de veiligheidssleutel juist aan uw kleding vastzit. Zorg ervoor dat de clip pas van uw kleding wordt gehaald wanneer de veiligheidssleutel uit de console is verwijderd.

LET OP

- Monitor laat code "-- --" zien als veiligheidssleutel niet, of niet juist is geplaatst.

Monitor (fig. E-1)

VOORZICHTIG

- Houd de console uit de buurt van direct zonlicht.
- Droog het oppervlak van de console wanneer het met zweedruppels is bedekt.
- Leun niet op de console.
- Raak de display alleen met uw vingertop aan. Raak de display niet aan met uw nagels of een scherp voorwerp.

LET OP

- De console gaat naar standby wanneer het toestel gedurende 10 minuten niet wordt gebruikt.

Toetsen

Mode (modus)

- Selecteer de programmeerstand (P0 ~ P12)
- Bevestig de instelling om naar de volgende stap in de programmeerstand te gaan.

Set (instellen)

- Stel de doel(en) voor je workout in wanneer je in de programmeerstand bent.

Start/ stop

- Start de geselecteerde workout na een countdown van 5 seconden wanneer het toestel in de stopstand staat.
- Als het toestel in de workout-stand staat, komt het geleidelijk tot stilstand.

Enkele pijl omhoog (+ 0,1)

- Hiermee wordt de snelheid verhoogd in stappen van 0,1 km/uur.
- Als je de toets twee seconden ingedrukt houdt, gaat de snelheid sneller omhoog.
- Hiermee verhoog je de doelwaarden wanneer je in de programmeerstand bent.

Afstand	+ 0,1 km
Calorieën	+ 1,0 kilocal.
Tijd	+ 1,0 min.

Dubbele pijl omhoog (+ 1,0)

- Hiermee wordt de snelheid verhoogd in stappen van 1,0 km/uur.
- Als je de toets twee seconden ingedrukt houdt, gaat de snelheid sneller omhoog.
- Hiermee verhoog je de doelwaarden wanneer je in de programmeerstand bent.
- Hiermee verhoog je de doelwaarden wanneer je in de programmeerstand bent.

Afstand	+ 1,0 km
Calorieën	+ 10 kilocal.
Tijd	+ 10 min.

Enkele pijl omlaag (- 0,1)

- Hiermee wordt de snelheid verlaagd in stappen van 0,1 km/uur.
- Als je de toets twee seconden ingedrukt houdt, gaat de snelheid sneller omlaag.
- Hiermee verlaag je de doelwaarden wanneer je in de programmeerstand bent.

Afstand	- 0,1 km
Calorieën	- 1,0 kilocal.
Tijd	- 1,0 min.

Dubbele pijl omlaag (- 1,0)

- Hiermee wordt de snelheid verlaagd in stappen van 1,0 km/uur.
- Als je de toets twee seconden ingedrukt houdt, gaat de snelheid sneller omlaag.
- Hiermee verlaag je de doelwaarden wanneer je in de programmeerstand bent.

Afstand	- 1,0 km
Calorieën	- 10 kilocal.
Tijd	- 10 min.

⚠ OPMERKING

- De bedieningstoetsen voor de snelheid werken alleen in de workout-stand P0.

Uitleg van de items op het display

Speed (snelheid)

- Geeft in de programmeerstand het geselecteerde programma weer.
- Geeft - wanneer je op de toets 'Start' drukt - een countdown van 5 seconden weer.
- Geeft in de workout-stand de werkelijke snelheid van de loopband weer.
Weergavebereik: 1,0 ~ 10,0 km/uur ± 0,1 km/uur

Time (tijd)

- Geeft in de workout-stand de gelopen tijd weer.
- Geeft - in de workout-stand en wanneer voor de tijd daarvan een doel is ingesteld - de resterende tijd weer.
- Geeft - in de programmeerstand - de doeltijd aan.
Weergavebereik: 00:01 ~ 99:99

Distance (afstand)

- Geeft - in de workout-stand - de gelopen afstand weer.
- Geeft - in de workout-stand en wanneer voor de afstand een doel is ingesteld - de resterende afstand weer.
- Geeft - in programmeerstand - de doelafstand aan.
- Weergavebereik: 0,0 ~ 99,9 km ± 0,1 km

Calories (calorieën)

- Geeft tijdens de workout het aantal verbrande calorieën weer.
- Geeft in de workout-stand het aantal nog te verbranden calorieën aan wanneer het aantal te verbranden calorieën is ingesteld als doel voor de workout.
- Geeft in de programmeerstand het aantal te verbranden calorieën als doel aan.
- Weergavebereik: 0 ~ 999 kilocalorieën

Het indicatielampje voor calorieën brandt wanneer het aantal calorieën wordt weergegeven.

⚠ OPMERKING

- Deze gegevens vormen een ruwe indicatie die kan worden gebruikt om verschillende workout-sessies met elkaar te vergelijken. Ze mogen niet voor medische doeleinden worden gebruikt.

⚠ OPMERKING

- De weergave voor 'Afstand' en 'Calorieën' wordt om de 5 seconden ververs.
- Gebruik de 'SET' toets om de weergave te bevroren.
- Gebruik de 'SET' toets om afwisselend afstand en calorieën weer te geven.
Gebruik de modustoets om de bevroren weergaves weer te activeren of start het verversen van de weergave weer als deze bevroren is.

Programma's

Snelle start

- Druk op de toets 'Start/ stop' om de workout te starten zonder voorgeprogrammeerde instellingen.
- De loopband start op een minimum snelheid van 1,0 km/uur.
- De snelheid kan op elk moment handmatig worden aangepast om de workout te veranderen.

De workout beëindigen

- Druk op de toets 'Start/ stop' om de workout te stoppen en de console te resetten.
- Houd de toets 'STOP' ingedrukt om de workout te stoppen en de console te resetten.

Voorgeprogrammeerde programma's (P0)

Druk - in de stopstand - op de 'Mode' toets om tussen de verschillende programmastanden te schakelen. Selecteer P0 om het handmatige programma te kiezen.

Als je geen doel wilt instellen, druk dan direct op de 'Start/ stop' toets. De loopband start de workout dan zonder een ingesteld doel. Alle waarden op het display lopen op, en de loopband komt pas tot stilstand als je op de 'Start/ Stop' toets drukt. Tijdens een workout in de P0-stand, wordt de snelheid altijd door de gebruiker geregeld.

Als je een doel wilt stellen voor: Tijd, calorieën of afstand.

De tijdsduur instellen als doel van de workout.

- Wanneer je in de selectiestand voor het programma P0 hebt gekozen, druk je eenmaal op de toets 'Set' om de programmeerstand voor het doel te openen.
- Het venster 'Time' geeft knipperend 30:00 weer als standaard ingestelde doeltijd in minuten.
- Druk op de 'Dubbele pijl omhoog/omlaag' om de doeltijd aan jouw wensen aan te passen.
Doelbereik: 5:00 ~ 99:00 ± 1:00 minuten.
- Druk op 'Start/ stop' om de workout te beginnen.

De afstand instellen als doel van de workout.

- Wanneer je in de selectiestand voor het programma P0 hebt gekozen, druk je twee keer op de toets 'Set' om de programmeerstand voor het doel te openen.
- Het venster 'Distance' geeft knipperend 1:00 weer als standaard ingestelde doelafstand in kilometers.
- Druk op de 'Dubbele pijl omhoog/omlaag' om de doelafstand aan jouw wensen aan te passen.
Doelbereik: 0,5 ~ 99,9 ± 0,1 km
- Druk op 'Start/ stop' om de workout te beginnen.

Het aantal calorieën instellen als doel van de workout.

- Wanneer je in de selectiestand voor het programma P0 hebt gekozen, druk je drie keer op de toets 'Set' om de programmeerstand voor het doel te openen.
- Het venster 'Calorieën' geeft knipperend 50 weer als standaard ingestelde doelwaarde voor calorieën.
- Druk op de 'Dubbele pijl omhoog/omlaag' om de doelwaarde voor calorieën aan jouw wensen aan te passen.
Doelbereik: 10 ~ 999 kilocalorieën
- Druk op 'Start/ stop' om de workout te beginnen.

Voorgeprogrammeerde programma's (P1 ~ P12)

Bij voorgeprogrammeerde programma's ligt de snelheid vast en kunnen de afstand en het aantal calorieën niet als doel worden ingesteld, omdat dit rechtstreeks verband houdt met de tijdsduur van de workout.

De tijdsduur van de workout kan worden ingesteld als doel.
Doelbereik: 5:00 ~ 99:00 ± 1:00 minuten.

- Druk - in de stopstand - op de 'Mode' toets om tussen de verschillende programmastanden te schakelen. Selecteer afhankelijk van je voorkeur P1 ~ P12 om een voorgeprogrammeerd programma te kiezen.
Je hoeft het geselecteerde programma niet te bevestigen.
- Het venster 'Time' geeft knipperend 30:00 weer als standaard ingestelde doeltijd in minuten.
- Druk op de 'Dubbele pijl omhoog/omlaag' om de doeltijd aan jouw wensen aan te passen.
Doelbereik: 5:00 ~ 99:00 ± 1:00 minuten.
- Druk op 'Start/ stop' om de workout te beginnen.

⚠ OPMERKING

- Je kunt de verschillende programmaprofielen bekijken in fig. G.
- Elk voorgeprogrammeerd profiel is verdeeld in 20 onderdelen, waarbij elk onderdeel 1/20 van de voorgeprogrammeerde doeltijd vertegenwoordigt.

Als je op de 'Set' toets drukt, wordt alles weer gereset naar de beginstand.

Reiniging en onderhoud

⚠ WAARSCHUWING

- Het toestel heeft maandelijks onderhoud nodig, ook als het niet wordt gebruikt.
- Verwijder voor reiniging of onderhoud de stekker uit het stopcontact.
- Gebruik geen oplosmiddelen om het toestel te reinigen.

- Blokkeer de ventilatieopeningen niet. Houd de ventilatieopeningen vrij van stof, vuil en andere belemmeringen.
- Reinig het toestel na elk gebruik met een zachte absorberende doek.
- Reinig de zichtbare onderdelen van het toestel met een stofzuiger met een kleine zuigmond.
- Controleer regelmatig of alle schroeven en moeren goed vast zitten.

⚠ LET OP

- Wij raden u aan om alleen indoor-schoenen te gebruiken op de loopband. Als u geen indoor-schoenen heeft, raden wij u aan de zolen van uw schoenen te controleren voordat u deze op de loopband gebruikt. Zorg ervoor dat ze schoon zijn, omdat het toestel niet bestand is tegen vuil van buiten.

Algemene reiniging

Vuil, stof en dierenharen kunnen luchtinlaten blokkeren en zich op de band ophopen. U moet maandelijks onder de loopband stofzuigen om ophoping te voorkomen.

HAAL EERST DE STEKKER UIT HET STOPCONTACT VOORDAT U DIT DOET.

Stof op band

Dit treedt op tijdens normaal eerst gebruik of totdat de band is gestabiliseerd. Verwijder het stof met een vochtige doek om ophoping van stof te minimaliseren.

Band en loopvlak

De loopband maakt gebruik van een zeer efficiënt loopvlak met weinig wrijving. De prestaties worden geoptimaliseerd wanneer het loopvlak schoon en vrij van stof en vuil wordt gehouden. Vuil en stofdeeltjes tussen het loopvlak en de loopband beschadigen het oppervlak van het loopvlak, waardoor de prestaties en de levensduur van het toestel worden beïnvloed.

Reinigen van het loopvlak

Gebruik een zachte, vochtige doek om de rand van de band en het gedeelte tussen de bandrand en het frame te reinigen. Probeer ook onder de randen van de loopband te komen, om ook het verzamelde vuil van de randen te verwijderen.

Reinigen van het oppervlak van de loopband

Gebruik eerst een nylon schrobborstel om de losse deeltjes van het oppervlak van de loopband te verwijderen. Gebruik daarna een uitgewrongen vochtige doek (zonder schoonmaak- of schuurmiddelen) om de bovenkant van de getextureerde band voorzichtig schoon te maken. Laat de band goed drogen voordat u deze gebruikt.

⚠ OPMERKING

- Wanneer de band te vuil is om alleen met water te reinigen, kunt u een milde zeep gebruiken, maar nooit een oplosmiddel voor smeermiddelen.
- Voorkom te allen tijde dat dit mengsel tussen het loopvlak en loopband terecht komt.

Om de levensduur van de band en het loopvlak te verlengen, moet dit regelmatig worden gedaan.

Smeren (fig. F-5)

⚠ OPMERKING

- De loopmat van de loopband wordt, tijdens de productie van het toestel, gesmeerd voordat deze op de loopband wordt gemonteerd. Daarom is het niet nodig om de loopmat te smeren voordat het toestel in gebruik wordt genomen.

De loopmat van de looptrainer moet regelmatig op smering worden gecontroleerd. Na elke 300 km wordt een herinnering weergegeven. In het venster TIME wordt 'OIL' weergegeven en elke 10 seconden klinkt een akoestisch signaal om u te herinneren aan de controle. Volg de onderstaande controleprocedure en schakel de melding 'OIL' en het akoestische waarschuwingssignaal uit door tijdens het signaal de knop "MODE" ten minste 3 seconden ingedrukt te houden.

⚠ WAARSCHUWING

- Verwijder voor het smeren de stekker uit het stopcontact.

⚠ VOORZICHTIG

- We raden aan de smering van de loopmat minimaal één keer per maand te controleren, omdat meer factoren dan alleen de tijd van invloed kunnen zijn voor de smeringconditie van uw loopmat.
 - Smeer de loopmat alleen indien nodig. Als u te veel smeervet aanbrengt, zal de loopmat door te weinig wrijving snel gaan slippen.
- Neem een stevige positie op de loopmat aan.
 - Houd de voorhandgreep vast en duw de loopmat met uw voeten vooruit en achteruit. De loopmat moet soepel en gelijkmatig lopen zonder geluid te maken.
 - Als de loopmat niet soepel en gelijkmatig loopt of als de loopmat helemaal niet beweegt, raak dan met uw vingertoppen de onderkant van de loopmat aan om de smering te controleren:

- Als u smeermiddel voelt of als uw vingertoppen glimmen, dan bevindt zich nog voldoende smering op de loopmat.
- Als u geen smeervet voelt of als uw vingertoppen stoffig of ruw aanvoelen, breng dan smeermiddel (±10 ml.) aan in het midden van de loopmat onder de band zelf en laat het toestel minstens 5 minuten bij 5 km/h lopen.
- Na het smeren mag u het toestel pas inklappen nadat u gedurende 2 minuten een training hebt uitgevoerd op een snelheid van ten minste 5 km/u. Hierdoor wordt het smeermiddel volledig door de loopband geabsorbeerd en gelijkmatig verspreid.

⚠ OPMERKING

- Als 5 km/u voor u te snel is, loop dan op de door u gewenste snelheid, maar verleng de duur dan wel tot minimaal 5 minuten.



Klik om onze ondersteunende YouTube-video te bekijken
<https://youtu.be/ceaOYnofY5k>

Bandafstellingen

De prestaties van het apparaat zijn afhankelijk van het feit of het frame op een redelijk vlak oppervlak staat. Als het frame niet waterpas staat, kunnen de voor- en achterrollers niet parallel draaien, waardoor de band constant opnieuw moet worden afgesteld.

Het apparaat is zo ontworpen dat de band tijdens gebruik zoveel mogelijk in het midden blijft. Het is bij sommige banden normaal dat deze naar de zijkant bewegen terwijl de band loopt zonder dat er iemand op staat. Na enkele minuten van gebruik zal de band de neiging hebben zich te centreren. Als tijdens gebruik de band nog steeds naar de zijkant beweegt, is afstelling noodzakelijk.

UITZONDERING:

tijdens revalidatie, waarbij het ene been van de gebruiker sterker is dan het andere, kan het voorkomen dat de band naar de zijkant beweegt. In dat geval moet u de bandloop niet opnieuw afstellen, tenzij de band zich bij normaal gebruik niet centreert.

Loopmat spanning afstellen:

U dient afstellingen toe doen bij de achterste roller. De afstelbouten bevinden zich aan het einde van de staprails in de eindkapjes,

- Draai de achterste rollerbouten net genoeg aan (rechtsom) om verschuiving bij de voorste roller te voorkomen. Draai beide afstelbouten voor de bandspanning aan in stappen van 1/4 slag en controleer op juiste spanning door op de band te lopen met lage snelheid. Zorg dat de band niet verschuift. Blijf de bouten aandraaien totdat de band niet meer verschuift.
- Als u van mening bent dat de bandspanning goed is maar de band nog steeds verschuift, wordt het probleem mogelijk veroorzaakt door een losse motoraandrijfriem onder de voorkap.
- Niet te strak aandraaien Als u de bouten te strak aandraait, raakt de band beschadigt en zullen de lagers vroegtijdig slijten.



Klik om onze ondersteunende YouTube-video te bekijken
https://youtu.be/pp4_4bL1MXo

Centreren van de loopband (fig. F-4)

De loopband moet worden gecentreerd wanneer deze niet in het midden van het loopoppervlak loopt. Dit kunt u gemakkelijk zien wanneer de spleet tussen zijwand en de loopband aan de ene kant aanzienlijk groter is dan aan de andere kant.

De oorzaak hiervan is mogelijk:

OORZAAK 1

U gebruikt tijdens de training één been krachtiger bij de afzet. Hierdoor wordt de band naar de zijkant geduwd, maar dit wordt automatisch gecorrigeerd als u de loopband enkele minuten onbelast laat lopen.

OORZAAK 2

Het toestel staat niet waterpas, waardoor de loopband door de zwaartekracht langzaam naar het laagste punt van het toestel wordt getrokken. Dit kunt u uitsluitend corrigeren door de loopband goed waterpas te zetten. Het probleem kan namelijk niet worden opgelost door middel van een andere afstelling.

OORZAAK 3

De loopband is niet goed gecentreerd tussen de voorste en achterste roltrommel. Dit moet worden gecorrigeerd door de sporing van de loopband aan te passen zoals hieronder wordt beschreven.

Om de sporing van de loopband aan te passen, gebruikt u de inbussleutel die bij de loopband is meegeleverd.

- Stel de loopband in op een snelheid van ongeveer 5 km/u als er niet op wordt gelopen.
- Wanneer de loopband naar rechts spoort.
Draai de linker afstelbout voor de achterrol, die zich aan de achterkant in een bus onder de afdekplaat van de achterrol bevindt, 1/4 slag linksom.
- Wanneer de loopband naar links spoort.
Draai de rechter afstelbout voor de achterrol, die zich aan de achterkant in een bus onder de afdekplaat van de achterrol bevindt, 1/4 slag linksom.
- Wacht ongeveer 2 minuten om de loopband de tijd te geven op de afstelling te reageren voordat u - indien nodig - de afstelstappen herhaalt om het gewenste resultaat te bereiken.

OPMERKING

- Houd er rekening mee dat een kleine aanpassing een groot verschil kan maken, dus voer de aanpassingen uit in kleine stapjes.



Klik om onze ondersteunende YouTube-video te bekijken
<https://youtu.be/qx5AvTv00J4>

De bandloop moet mogelijk periodiek opnieuw worden afgesteld, afhankelijk van gebruik en loop-/renkarakteristieken. Sommige gebruikers zullen een ander effect hebben op de bandloop. Ga ervan uit dat u afstellingen zult moeten doorvoeren om de band te centreren. Afstellingen zullen steeds minder een onderhoudsprobleem worden naarmate de band meer wordt gebruikt. Juiste bandloop is de verantwoordelijkheid van de eigenaar en is van toepassing op alle loopbanden.

LET OP

- Schade aan de band als gevolg van onjuiste afstelling van bandloop/bandspanning valt niet onder de garantie.

Gebruiksstorings

Ondanks voortdurende kwaliteitscontroles, kunnen er defecten of storings optreden die het gevolg zijn van het niet goed functioneren van onderdelen die in de looptrainer zijn gebruikt. In de meeste gevallen is het onnodig om het gehele apparaat ter reparatie aan te bieden, aangezien de storing meestal kan worden opgelost door het vervangen van het defecte onderdeel.

Mochten er storings optreden bij het gebruik van de trainer, neem dan onmiddellijk contact op met uw Tunturi dealer. Vermeldt daarbij altijd het model en het serienummer van uw Tunturi trainer, de eventuele storingscode en door wie de trainer is geïnstalleerd.

Vermeldt bij het bestellen van onderdelen het model, het serienummer van het apparaat en het nummer van het onderdeel. Op de laatste pagina's van deze gids vindt u de onderdelenlijst.

Foutcodes

Als de display een foutcode toont (aangegeven met "E" + nummer), start dan het toestel opnieuw op en controleer of de foutcode nog steeds op de display verschijnt. Als de display nog steeds de foutcode toont, neem dan onmiddellijk contact op met de dealer.

Oil

OIL is geen foutcode, zie "Smeren".

Code "-- -- --"

Monitor laat code "-- -- --" zien als veiligheidssleutel niet, of niet juist is geplaatst.

"-- -- --" is geen foutcode, zie "Veiligheidssleutel"

Transport en opslag

WAARSCHUWING

- Verwijder voor reiniging of onderhoud de stekker uit het stopcontact.
- Draag en verplaats het toestel met minstens twee personen.
- Zorg ervoor dat zich geen andere personen of voorwerpen onder het toestel bevinden.
- Zorg er bij het inklappen van het toestel voor dat u hoort dat het toestel op zijn plaats vergrendelt ter voorkoming dat het toestel omlaag komt.

VOORZICHTIG

- Draag dit apparaat niet door het netsnoer vast te houden en gebruik het netsnoer niet als handvat.
- Verplaats het toestel zoals afgebeeld (fig. F3). Verplaats het toestel en zet het voorzichtig neer. Zorg voor een beschermende laag onder het toestel om schade aan het vloeroppervlak te voorkomen. Verplaats het toestel voorzichtig over een ongelijke ondergrond. Breng het toestel niet met behulp van de wielen naar boven, maar draag het toestel bij de handgrepen.
- Berg het toestel in staande positie op (fig. F1). Berg het toestel op een droge plaats op met zo weinig mogelijk temperatuurwisselingen.

Garantie

Garantie voor eigenaars van Tunturi trainingsapparatuur

Garantievoorwaarden

De consument heeft recht op de geldende wettelijke rechten met betrekking tot de handel in consumptiegoederen die worden vermeld in de nationale wet- en regelgeving. Deze garantie zal deze rechten niet beperken. De garantie voor de eigenaar geldt alleen wanneer het apparaat wordt gebruikt in een door Tunturi New Fitness BV voor dat specifieke apparaat toegestane omgeving en wordt onderhouden volgens de aanwijzingen. De goedgekeurde omgeving en onderhoudsinstructies voor het product staan vermeld in de "gebruikershandleiding" van het product. De "gebruikershandleiding" kan worden gedownload van onze website. <http://manuals.tunturi.com>

Garantievoorwaarden

De garantievoorwaarden gaan in vanaf de datum van aankoop. Deze kunnen per land verschillen. Vraag in de winkel bij u in de buurt naar de garantievoorwaarden.

Garantiedekking

In geen enkele omstandigheid zal Tunturi New Fitness BV of een wederverkoper van Tunturi aansprakelijk zijn voor eventuele indirecte schade geleden door de koper, zoals verlies van gebruiksnuut of inkomstenderving of andere indirecte economische gevolgen.

Garantiebeperkingen

De garantie dekt defecten van het toestel die het gevolg zijn van materiaalfouten of onjuist uitgevoerd werk, mits het toestel zijn originele samenstelling heeft. De garantie betreft alleen defecten die blijken tijdens normaal gebruik overeenkomstig de meegeleverde gebruiksaanwijzing, mits de montage-, onderhouds- en gebruiksaanwijzingen van Tunturi zijn opgevolgd. Tunturi New Fitness BV en zijn wederverkopers zijn niet aansprakelijk voor defecten tengevolge van factoren waarop zij geen invloed kunnen uitoefenen. De garantie betreft alleen de eerste eigenaar van het toestel en is alleen geldig in landen waar een geautoriseerde importeur van Tunturi New Fitness BV is gevestigd. De garantie betreft geen trainingstoestellen of onderdelen die zijn gewijzigd zonder toestemming van Tunturi New Fitness BV. De garantie dekt geen defecten tengevolge van normale slijtage, onjuist gebruik, gebruik in omstandigheden waarvoor het toestel niet is bedoeld, corrosie of schade ontstaan tijdens laden of transport. De garantie geldt niet voor geluiden die ontstaan door het gebruik, als ze het gebruik van het apparaat niet wezenlijk belemmeren en niet veroorzaakt zijn door een defect aan het apparaat. De garantie omvat ook geen onderhoudsmaatregelen, zoals reiniging, smering of normale inspectie van onderdelen, noch dergelijke montagewerkzaamheden die de klant zelf kan uitvoeren en die geen speciale demontage en montage van het toestel vereisen. Dit soort maatregelen zijn bijv. vervanging van monitoren, pedalen of andere vergelijkbare eenvoudige onderdelen. Garantieherstel dat is uitgevoerd door een ander dan de geautoriseerde Tunturi-vertegenwoordiger wordt niet vergoed. De garantie geldt alleen voor normaal, voorgeschreven gebruik van het product zoals beschreven in de handleiding.

Technische gegevens

Parameter	Meet- eenheid	Waarde
Netspanning	VAC	210 ~ 240
Spanning frequentie	HZ	50 ~ 60
Snelheid	Km/H	1.0 ~ 10.0
Helling-graad	Stap	~
Lengte (ingeklapt)	Cm	123.5 (27.5)
Breedte	Cm	61.0
Hoogte (ingeklapt)	Cm	120.0 (127.0)
Gewicht	Kg	24.0
Hartslagmeting beschikbaar via:	Handgreep contact 5.0 Khz. 5.3 Khz. Bluetooth (BLE) ANT+	Nee Nee Nee Nee Nee

Verklaring van de fabrikant

Tunturi New Fitness BV verklaart dat het product voldoet aan de volgende normen en richtlijnen: EN 957 (HC), 2014/30/EU. Het product is derhalve voorzien van het CE-label.

03-2022

Tunturi New Fitness BV
Purmerweg 1
1311 XE Almere
The Netherlands

Disclaimer

© 2022 Tunturi New Fitness BV
Alle rechten voorbehouden.

- Het product en de handleiding zijn aan veranderingen onderhevig.
- Specificaties kunnen zonder verdere kennisgeving worden veranderd.
- Raadpleeg onze website voor de meest recente versie van de gebruikershandleiding.

Italiano

Questo manuale in lingua italiana è una traduzione dalla versione originale del manuale in lingua inglese.
Non si possono trarre diritti di traduzione dalla presente traduzione.

Indice

Benvenuti	49
Precauzioni di sicurezza.....	49
Sicurezza elettrica.....	50
Istruzioni di montaggio.....	50
Illustrazione di descrizione A.....	50
Illustrazione di descrizione B.....	50
Illustrazione di descrizione C.....	50
Illustrazione di descrizione D.....	50
Informazioni ambientale aggiuntive.....	51
Allenamenti.....	51
Istruzioni per l'esercizio	51
Frequenza cardiaca	51
Utilizzo.....	52
Controlli di alimentazione	52
Ripiegare l'attrezzo (Fig F1 & F2)	52
Chiave di sicurezza (Fig F-3).....	52
Console (fig. E-1)	52
Pulsanti.....	52
Spiegazione delle voci presenti sul display.....	53
Programmi	53
Quick Start [avvio rapido].....	53
Terminare l'allenamento.....	53
Programmi preimpostati (P0).....	53
Programmi preimpostati (P1 ~ P12)	54
Pulizia e manutenzione	54
Pulizia generale	54
Cinghia e Pedana per la corsa	54
Lubrificazione (fig. F-5).....	54
Registrazioni della cinghia.....	55
Disturbi durante l'uso	56
Codici di errore	56
Oil.....	56
Codice "-- --"	56
Trasporto e stoccaggio	56
Garanzia.....	56
Dati tecnici.....	57
Dichiarazione del fabbricante	57
Clausola di esonero della responsabilità.....	57

Benvenuti

Benvenuti nel mondo di Tunturi Fitness!

Grazie per aver acquistato questo apparecchio Tunturi. Tunturi offre un'ampia gamma di apparecchi per fitness professionale, fra cui crosstrainer, tapis roulant, cyclette, vogatori, panche di forza e multi stazioni. Questo apparecchio Tunturi è adatto per tutta la famiglia, a prescindere dal livello di forma fisica. Per ulteriori informazioni, visitare il sito Web www.tunturi.com

Importanti istruzioni di sicurezza

Questo manuale è una parte essenziale dell'attrezzo da allenamento, si prega di leggere tutte le istruzioni fornite prima di iniziare a utilizzare l'attrezzo. Le seguenti precauzioni devono essere sempre seguite:

Precauzioni di sicurezza

⚠ ATTENZIONE

- Leggere le precauzioni di sicurezza e le istruzioni. La mancata osservanza delle precauzioni di sicurezza e delle istruzioni può causare lesioni personali o danni all'apparecchio. Conservare gli avvisi di sicurezza e le istruzioni per future consultazioni.

⚠ ATTENZIONE

- Il sistema di monitoraggio della frequenza cardiaca può essere impreciso. L'eccessivo esercizio può causare serie lesioni o perfino il decesso. Se si avverte spossatezza, interrompere immediatamente l'allenamento.

- L'apparecchio è adatto esclusivamente per un uso domestico, non professionale. L'apparecchio non è idoneo per scopi commerciali.
- L'utilizzo massimo è limitato fino a 2 ore al giorno
- L'uso di questo apparecchio da parte di bambini o persone con handicap fisici, sensoriali, mentali o motori o privi di esperienza e di competenze può causare pericoli. Le persone responsabili per la loro sicurezza devono fornire esplicite istruzioni o supervisionare l'uso dell'apparecchio.
- Prima di iniziare l'allenamento, consultare un medico per verificare il proprio stato di salute.
- Se si avvertono nausea, vertigini o altri sintomi anomali, interrompere immediatamente l'allenamento e consultare un medico.
- Per evitare dolori muscolari e sforzi, iniziare ogni allenamento con una fase di riscaldamento e terminare ogni allenamento con una fase di defaticamento. Ricordarsi di eseguire lo stretching al termine dell'allenamento.
- L'apparecchio è adatto esclusivamente per un uso in interni. L'apparecchio non è idoneo per un uso all'aperto.
- Utilizzare l'apparecchio in un ambiente con ventilazione adeguata. Non utilizzare in ambienti esposti alle correnti d'aria per non prendere un raffreddore.
- Utilizzare l'apparecchio esclusivamente in ambienti con temperature comprese fra 10 °C e 35 °C. Conservare l'apparecchio esclusivamente in ambienti con temperature comprese fra 5 °C e 45 °C.
- Non utilizzare o riporre l'apparecchio in ambienti umidi. L'umidità dell'aria non deve mai superare l'80%.
- Utilizzare l'apparecchio solo per lo scopo previsto. Non utilizzare l'apparecchio per scopi diversi da quelli descritti nel manuale.
- Non usare l'apparecchio se presenta parti danneggiate o difettose. In caso di parti danneggiate o difettose contattare il rivenditore.
- Mantenere mani, piedi e le altre parti del corpo lontani dalle parti in movimento.
- Tenere i capelli lontani dalle parti in movimento.

- Indossare indumenti e scarpe adatti.
- Mantenere abiti, gioielli e altri oggetti lontani dalle parti in movimento.
- Controllare che l'apparecchio venga utilizzato da una sola persona alla volta. L'apparecchio non deve essere utilizzato da persone di peso superiore a 100 kg (220 lbs).
- Non smontare l'apparecchio senza aver consultato il rivenditore..

Sicurezza elettrica

- Prima dell'uso, verificare sempre che la tensione della rete elettrica corrisponda alla tensione riportata sulla targhetta nominale dell'apparecchio.
- Non utilizzare cavi di prolunga.
- Tenere il cavo di alimentazione lontano da fonti di calore, olio e bordi affilati.
- Non alterare o modificare il cavo o la spina di alimentazione.
- Non utilizzare l'apparecchio se il cavo o la spina di alimentazione sono danneggiati o difettosi. Se il cavo o la spina di alimentazione risultano danneggiati o difettosi, contattare il rivenditore.
- Svolgere sempre completamente il cavo di alimentazione.
- Non far passare il cavo di alimentazione sotto l'apparecchio. Non far passare il cavo di alimentazione sotto un tappeto. Non collocare alcun oggetto sul cavo di alimentazione.
- Verificare che il cavo di alimentazione non sporga sul bordo di un tavolo. Verificare che il cavo di alimentazione non possa rimanere accidentalmente impigliato o causare inciampanti.
- Non lasciare l'apparecchio incustodito quando la spina di alimentazione è collegata alla presa a muro.
- Non tirare il cavo di alimentazione per rimuovere la spina dalla presa a muro.
- Scollegare la spina di alimentazione dalla presa a muro quando l'apparecchio non è in uso, prima di assemblare o di smontare l'apparecchio o di qualsiasi intervento di pulizia o manutenzione.

⚠ ATTENZIONE

- Se il voltaggio varia del dieci per cento (10%) o più, le prestazioni del vostro tapis roulant potrebbero essere influenzate. Tali condizioni non sono coperte dalla vostra garanzia. Se sospettate che il voltaggio sia basso, contattate la vostra azienda elettrica locale o un elettricista qualificato per fare dei test appropriati.

⚠ ATTENZIONE

- Non far passare il cavo di alimentazione vicino a parti in movimento del tapis roulant, incluso il meccanismo di sollevamento e le ruote di trasporto.

⚠ AVVERTENZA

- Non utilizzare mai acqua o altri liquidi direttamente sull'attrezzo o vicino ad esso, ma solo un panno umido se serve un po' di umidità per pulire la macchina.
- L'uso diretto di liquidi è dannoso per i componenti dell'attrezzo e può provocare una scossa elettrica causata da un cortocircuito. Ciò potrebbe causare lesioni personali gravi o addirittura la morte.

Istruzioni per la messa a terra

Questo prodotto va messo a terra. Se il sistema elettrico del tapis roulant non funziona bene o rompersi, la messa a terra fornisce un percorso di resistenza inferiore per la corrente elettrica, riducendo il rischio di scossa elettrica. Questo prodotto è dotato di un cavo che una spina di messa a terra. La spina deve essere inserita in una presa idonea che sia stata installata correttamente e che sia messa a terra secondo le procedure e le ordinanze locali.

⚠ AVVERTIMENTO

- Un collegamento scorretto del conduttore di messa a terra dell'apparecchio può comportare un rischio di scossa elettrica. In caso di dubbi sulla corretta messa a terra di questo prodotto, consultare un elettricista o addetto all'assistenza qualificato. Non modificare la spina fornita con il prodotto se non dovesse entrare nella presa di corrente; farsi installare una presa di corrente idonea da un elettricista qualificato.

Istruzioni di montaggio

Illustrazione di descrizione A

L'illustrazione mostra l'aspetto del trainer una volta completato l'assemblaggio.

È possibile utilizzarla come riferimento durante l'assemblaggio, ma è importante seguire sempre i passaggi di assemblaggio nella sequenza corretta come illustrato.

Illustrazione di descrizione B

L'illustrazione mostra quali componenti e parti sono presenti al momento del disimballaggio del prodotto.

⚠ NOTA

- Le parti di piccole dimensioni potrebbero trovarsi nascoste o infilate in spazi ristretti nella protezione del prodotto in Styrofoam

Illustrazione di descrizione C

L'illustrazione mostra il kit di attrezzatura fornito con il prodotto. Il kit di attrezzatura contiene bulloni, rondelle, viti, dadi ecc. e gli strumenti necessari per installare correttamente il trainer.

Illustrazione di descrizione D

Le illustrazioni mostrano di seguito l'ordine corretto con cui assemblare il trainer nel modo migliore.

⚠ NOTA

- I numeri delle parti visualizzati nei passaggi dell'assemblaggio iniziano con lo schema delle parti di ricambio presente nel manuale utente della versione online.

⚠ ATTENZIONE

- Assemblare l'apparecchio nell'ordine indicato.
- Per trasportare e spostare l'apparecchio sono necessarie almeno due persone.

⚠ AVVISO

- Collocare l'apparecchio su una superficie stabile e in piano.
- Collocare l'apparecchio su una base protettiva per evitare danni alla superficie del pavimento.
- Mantenere uno spazio libero di almeno 1 m intorno all'apparecchio.
- Consultare le illustrazioni per il corretto assemblaggio dell'apparecchio.

⚠ NOTA

- Conservare tutti gli utensili forniti con questo prodotto, dopo aver completato il montaggio del prodotto, per eventuali necessità di assistenza in futuro.

Informazioni ambientale aggiuntive

Smaltimento dell'imballo

Le linee guida governative chiedono di ridurre la quantità di rifiuti smaltiti nelle discariche. Per questo vi chiediamo di smaltire in modo responsabile tutti i rifiuti d'imballo presso dei centri di riciclaggio pubblici.

Smaltimento a fine vita

Noi di Tunturi speriamo che possiate godervi molti anni di piacevole uso dal nostro fitness trainer. Tuttavia, arriverà il momento quando il vostro fitness trainer arriverà alla fine della sua vita utile. Secondo la Legislazione Europea WEEE voi siete responsabili per uno smaltimento appropriato del vostro fitness trainer presso una struttura di raccolta pubblica autorizzata.

Allenamenti

L'allenamento deve essere adeguatamente leggero ma di lunga durata. L'esercizio aerobico si basa sul miglioramento del consumo massimo di ossigeno del corpo che a sua volta migliora resistenza e forma fisica. Durante l'allenamento è necessario sudare ma non arrivare all'affanno. Per raggiungere e mantenere una forma fisica di base, allenarsi almeno tre volte alla settimana, per 30 minuti alla volta. Aumentare il numero di sessioni di esercizio per migliorare il livello di forma fisica. È importante combinare l'esercizio regolare con una dieta salutare. Una persona impegnata a seguire una dieta dovrà allenarsi quotidianamente, iniziando con 30 minuti o meno e aumentando gradualmente l'allenamento giornaliero fino ad un'ora. Iniziare l'allenamento a bassa velocità e con scarsa resistenza per evitare di sottoporre a uno stress eccessivo il sistema cardiovascolare. Man mano che il livello di forma fisica aumenta, è possibile aumentare gradualmente anche velocità e resistenza. L'efficienza dell'allenamento può essere misurata monitorando la frequenza cardiaca e le pulsazioni.

Istruzioni per l'esercizio

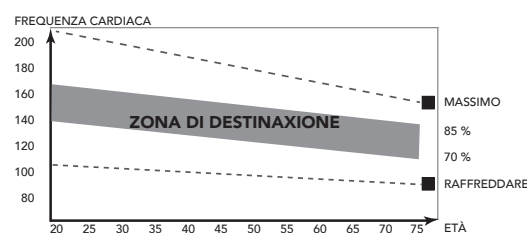
L'utilizzo del vostro fitness trainer vi darà diversi benefici, migliorerà la vostra forma fisica, tono muscolare e, insieme a una dieta con le calorie sotto controllo, vi aiuterà a perdere peso.

La fase di riscaldamento

Questa fase aiuta a far scorrere il sangue nel corpo e a far funzionare correttamente i muscoli. Ridurrà anche il rischio di crampi e di lesioni muscolari. Si consiglia di fare qualche esercizio di stretching come mostrato qui di seguito. Ogni esercizio di stretching andrebbe mantenuto per circa 30 secondi, non forzare o strappare i muscoli durante l'esercizio, se si sente un dolore FERMARSI SUBITO

La fase dell'esercizio

Questa è la fase dove fate il vostro sforzo. Dopo un uso regolare, i muscoli delle vostre gambe diventeranno più flessibili. Lavorare nell'ottica del vostro obiettivo è molto importante per mantenere un ritmo costante durante l'esercizio. La velocità del vostro lavoro dovrebbe essere sufficiente per aumentare il vostro battito cardiaco nella zona target mostrata sul grafico qui sotto.



Questa fase dovrebbe durare almeno 12 minuti anche se la maggior parte delle persone inizia a circa 15-20 minuti

La fase di defaticamento

Questa fase consente al vostro sistema cardiovascolare e ai vostri muscoli di rilassarsi. Questa è una ripetizione dell'esercizio di riscaldamento, cioè riduce il vostro ritmo, e continua per circa 5 minuti. Gli esercizi di stretching adesso andrebbero ripetuti, ricordandosi sempre di non forzare o strappare i vostri muscoli nello stretching.

A mano a mano che sarete più in forma, potreste aver bisogno di allenarvi di più e più a lungo. Si consiglia di allenarsi almeno tre volte alla settimana, e se possibile, spalmare gli esercizi in

Tono muscolare

Per tonificare i muscoli mentre siete sul vostro fitness trainer dovrete impostare la resistenza abbastanza alta. Questo sforzerà di più i muscoli delle vostre gambe e potrebbe voler dire che non potrete allenarvi per il tempo che avreste desiderato. Se anche voi state cercando di migliorare la vostra forma dovrete modificare il vostro programma di allenamento. Dovreste allenarvi normalmente durante le fasi di riscaldamento e di defaticamento, ma verso la fine della fase dell'esercizio dovrete aumentare la resistenza, per fare lavorare di più le vostre gambe. Dovrete ridurre la vostra velocità per mantenere la vostra frequenza cardiaca nella zona target.

Perdere peso

Qui il fattore importante è la quantità di sforzo che mettete. Più forte e a lungo lavorate e più calorie brucerete. In effetti è uguale a come se stesse allenandovi per migliorare la vostra forma, la differenza è l'obiettivo.

Frequenza cardiaca

NOTA

- Questo trainer non viene fornito con un monitor della frequenza cardiaca integrato. Quando ti piace monitorare la frequenza cardiaca, devi utilizzare un dispositivo aggiuntivo.

Massima frequenza cardiaca (durante l'allenamento)

La massima frequenza cardiaca è la frequenza cardiaca più elevata che una persona può raggiungere in sicurezza durante lo stress dell'allenamento. Per calcolare la massima frequenza cardiaca media, viene utilizzata la seguente formula: $220 - \text{ETÀ}$. La massima frequenza cardiaca varia da persona a persona.

ATTENZIONE

- Porre attenzione a non superare la massima frequenza cardiaca durante l'allenamento. In caso di appartenenza ad un gruppo a rischio, consultare un medico.

Principianti

50-60% della massima frequenza cardiaca

Adatta per persone in fase di dieta dimagrante, principianti, convalescenti e per chi non fa esercizio da molto tempo. Allenarsi almeno tre volte alla settimana, per 30 minuti alla volta.

Livello avanzato

60-70% della massima frequenza cardiaca

Adatta per coloro che desiderano migliorare e mantenere la forma fisica. Allenarsi almeno tre volte alla settimana, per 30 minuti alla volta.

Esperti

70-80% della massima frequenza cardiaca

Adatta per le persone in perfetta forma fisica abituate ad allenamenti che richiedono molta resistenza.

Utilizzo

Controlli di alimentazione

Interruttore di alimentazione principale (fig. E-A)

L'apparecchio è dotato di un interruttore di alimentazione principale per spegnere completamente l'apparecchio.

Per avviare l'apparecchio:

- Inserire la spina elettrica nella presa di corrente.
- Mettere l'interruttore principale in posizione on.

Per spegnere l'apparecchio:

- Mettere l'interruttore di alimentazione su off.
- Togliere la spina elettrica dalla presa elettrica.

Interruttore automatico (Fig. E-B)

L'apparecchio è dotato di un interruttore automatico che interrompe il circuito quando il carico di elettricità supera la capacità massima. Se ciò si verifica, si deve premere l'interruttore automatico.

AVVERTIMENTO

- Prima di premere l'interruttore automatico, togliere la spina elettrica dall'apparecchio.

Se l'apparecchio si spegne, procedere nel seguente modo per riavviare l'apparecchio:

- Togliere la spina elettrica dall'apparecchio.
- Premere l'interruttore automatico per avviare l'apparecchio.
- Inserire la spina elettrica nell'apparecchio.

NOTA

- Acuni interruttori automatici usati nelle case non sono idonei per i picchi di corrente che si possono verificare quando un tapis roulant viene acceso o anche durante l'uso normale. Se il vostro tapis roulant fa scattare l'interruttore automatico (anche se ha l'ampereaggio corretto e il tapis roulant è il solo apparecchio sul circuito) ma l'interruttore sul tapis roulant stesso non scatta, dovrete sostituire l'interruttore con un tipo adatto alle correnti di picco più elevate. Questo non è un difetto coperto dalla garanzia. Si tratta di una condizione che noi, in quanto produttori, non siamo in grado di controllare.

Ripiegare l'attrezzo (Fig F1 & F2)

Chiusura dell'attrezzo

L'attrezzo può essere ripiegato e chiuso, risparmiando così dello spazio prezioso.

- Mettere l'interruttore in modalità "OFF".
- Staccare il cavo di alimentazione dalla presa di corrente.
- Allentare la manopola (7) che si trova nella parte inferiore (LH) del trainer, e rimuoverla dal telaio.
- Ripiegare la pedana con la massima attenzione, per evitare di far cadere il telaio verticale. (Tenendo già in mano la manopola di fissaggio (7))
Stare attenti a non schiacciare il cavo di alimentazione durante la chiusura dell'attrezzo.
- Inserire la manopola di fissaggio (7) a metà del tubo verticale (LH) e fissarla nel relativo foro della pedana, bloccandola bene.
Non lasciare la pedana del tapis roulant prima di averla bloccata bene, perché, se non fosse fissata correttamente, potrebbe cadere.
- Riporre il cavo di alimentazione in una posizione dove non possa essere danneggiato, schiacciato o causare un pericolo di inciampo.

Riapertura dell'attrezzo

- Svitare la manopola di fissaggio (7) a metà del tubo verticale (LH), sostenendo allo stesso tempo la pedana, e rimuovere la manopola dal telaio.
- Abbassare la pedana del tapis roulant accompagnandola fino a quando non toccherà il pavimento.
Stare attenti a non schiacciare il cavo di alimentazione durante l'apertura.
- Montare la manopola di fissaggio sul lato inferiore (LH) del trainer e bloccarla bene.

Per chiudere e riaprire l'attrezzo in modo corretto, fare riferimento alle illustrazioni fornite.

Chiave di sicurezza (Fig F-3)

L'apparecchio è dotato di una chiave di sicurezza che deve essere inserita correttamente nella console per avviare l'apparecchio. Se togliete la chiave di sicurezza dalla console, l'apparecchio si fermerà immediatamente.

- Inserire la chiave di sicurezza nella feritoia nella console.
- Accertarsi che la clip della chiave di sicurezza sia attaccata correttamente al vostro indumento.
Accertarsi che la clip non venga rimossa dal vostro indumento prima che la chiave di sicurezza venga rimossa dalla console.

NOTA

- La console mostrerà il codice "- - -" quando la chiave di sicurezza non è in posizione durante l'avvio.

Console (fig. E-1)

AVVISO

- Non esporre la console alla luce solare diretta.
- Asciugare la superficie della console se è coperta da gocce di sudore.
- Non appoggiarsi sulla console.
- Toccare il display solo con la punta delle dita. Non toccare il display con le unghie o con oggetti appuntiti.

NOTA

- La console passa in modalità standby quando l'apparecchio non viene utilizzato per 10 minuti.

Pulsanti

Mode [Modalità]

- Selezionare la modalità di programmazione (P0 ~ P12)
- Confermare l'impostazione per accedere al passaggio successivo in modalità di programmazione.

Set [impostazione]

- Impostare i propri obiettivi di allenamento quando si è in modalità di programmazione.

Start/ Stop

- Inizia l'allenamento selezionato dopo un conto alla rovescia di 5 secondi quando si è in modalità stop.
- Quando si è in modalità allenamento, il trainer si fermerà gradualmente.

Singola freccia su (+ 0,1)

- Aumenta la velocità di 0,1 km/h alla volta.
- Tenendo premuto il tasto per due secondi si aumenta la velocità più rapidamente.
- Aumentare i valori target quando si è in modalità programmazione.

Distance	+ 0.1 Km
Calories	+ 1.0 K/ Cal
Time	+ 1.0 min.

Doppia freccia su (+ 1.0)

- Aumenta la velocità di 1,0 km/h alla volta.
- Tenendo premuto il tasto per due secondi si aumenta la velocità più rapidamente.
- Aumentare i valori target quando si è in modalità di programmazione.
- Aumentare i valori target quando si è in modalità programmazione.

Distance	+ 1.0 Km
Calories	+ 10 K/ Cal
Time	+ 10 min.

Singola freccia giù (- 0,1)

- Diminuisce la velocità di 0,1 km/h alla volta.
- Tenendo premuto il tasto per due secondi si diminuisce la velocità più rapidamente.
- Diminuire i valori target quando si è in modalità programmazione.

Distance	- 0.1 Km
Calories	- 1.0 K/ Cal
Time	- 1.0 min.

Doppia freccia giù (- 1.0)

- Diminuisce la velocità con 1,0 km/h alla volta.
- Tenendo premuto il tasto per due secondi si diminuisce la velocità più rapidamente.
- Diminuire i valori target quando si è in modalità programmazione.

Distance	- 1.0 Km
Calories	- 10 K/ Cal
Time	- 10 min.

⚠️ NOTA

- I pulsanti di controllo della velocità funzionano solo nella modalità di allenamento P0.

Spiegazione delle voci presenti sul display**Speed [velocità]**

- Mostra la selezione del programma quando si è in modalità di programmazione.
- Mostra un conto alla rovescia di 5 secondi quando si preme il pulsante "Start".
- Visualizza l'attuale velocità del tapis roulant in modalità di allenamento.

Intervallo di visualizzazione:	1.0 ~ 10.0 Km/h ± 0.1 km/h
--------------------------------	----------------------------

Time [tempo]

- Visualizza il tempo percorso in modalità di allenamento.
- Mostra il tempo rimanente quando si è in modalità allenamento ed è stato impostato un target di allenamento per il tempo.
- Mostra il target tempo quando si è in modalità di programmazione.

Intervallo di visualizzazione:	00:01 ~ 99:99
--------------------------------	---------------

Distance [distanza]

- Visualizza la distanza percorsa in modalità di allenamento.
- Mostra la distanza residua quando si è in modalità di allenamento ed è stato impostato un target di allenamento per la distanza
- Mostra il target distanza quando si è in modalità di programmazione.
- Intervallo di visualizzazione: 0.0 ~ 99.9 Km ± 0.1 Km

Calories [calorie]

- Visualizza le calorie consumate in modalità di allenamento.
- Mostra le calorie residue quando si è in modalità di allenamento ed è stato impostato un target di allenamento per le calorie.
- Mostra il target calorie quando si è in modalità di programmazione.
- Intervallo di visualizzazione: 0 ~ 999 K.Cal.

La spia led delle calorie è accesa quando vengono visualizzate le calorie.

⚠️ NOTA

- Questi dati vogliono semplicemente essere una guida approssimativa per il confronto fra le diverse sessioni di esercizi e non possono essere utilizzati per eventuali cure mediche

⚠️ NOTA

- Il display visualizza i valori "Distance" [distanza] e "Calories" [calorie] ogni 5 secondi.
- Usare il pulsante "SET" per congelare il display,
- Usare set per alternare fra Distance [distanza] e Calories [calorie]. Usare il tasto mode [modalità] per sbloccare il display o avviare nuovamente la lettura quando si è in modalità di blocco.

Programmi**Quick Start [avvio rapido]**

- Premere il pulsante "Start/Stop" per iniziare l'allenamento senza regolazioni preimpostate.
- Il tapis roulant partirà ad una velocità minima di 1,0 Km/h.
- Regolare manualmente la velocità in qualsiasi momento per modificare l'allenamento.

Terminare l'allenamento

- Premere il pulsante "Start/Stop" per interrompere l'allenamento e resettare la console.
- Tenere premuto il pulsante "STOP" per interrompere l'allenamento e resettare la console.

Programmi preimpostati (P0)

Premere il pulsante "Mode" [modalità] in modalità stop per alternare fra le varie modalità di programmazione. Selezionare P0 per scegliere il programma manuale.

Se non si desidera impostare un target, premendo direttamente il pulsante "Start/Stop" il tapis roulant inizierà l'allenamento senza impostare nessun target.

Tutti i valori sul display verranno aggiunti, e il tapis roulant non si fermerà a meno che non venga premuto il pulsante "Start/Stop". In modalità P0, l'utente può sempre controllare la velocità durante l'allenamento.

Se si vuole impostare un target per: Time [tempo], Calories [calorie] o Distance [distanza].

Impostare il target di allenamento per il tempo.

- Premere una volta il pulsante "Set" per aprire la modalità di programmazione target se è stato selezionato P0 in modalità di selezione del programma.
- La finestra "Time" [tempo] mostrerà il valore 30:00 lampeggiante come tempo target predefinito in minuti da impostare.
- Premere "Doppia freccia su/giù" per cambiare il tempo target secondo le proprie esigenze.

Intervallo target:	5:00 ~ 99:00 ± 1:00 minutes.
--------------------	------------------------------
- Premere il pulsante "Start/Stop" per iniziare l'allenamento.

Impostare il target di allenamento per la distanza

- Premere due volte il pulsante "Set" per aprire la modalità di programmazione target se è stato selezionato P0 in modalità di selezione del programma.
- La finestra "Distance" mostrerà il valore 1:00 lampeggiante come distanza target predefinita in KM da impostare.
- Premere "Doppia freccia su/giù" per cambiare la distanza target secondo le proprie esigenze.
Intervallo target: 0.5 ~ 99.9 ± 0.1 km.
- Premere il pulsante "Start/Stop" per iniziare l'allenamento.

Impostare il target di allenamento per le calorie.

- Premere tre volte il pulsante "Set" per aprire la modalità di programmazione target se è stato selezionato P0 nella modalità di selezione del programma.
- La finestra "Calories" mostrerà il valore 50 lampeggiante come target predefinito in calorie da impostare.
- Premere "Doppia freccia su/giù" per cambiare le calorie target secondo le proprie esigenze.
Intervallo target: 10 ~ 999 K.Cal.
- Premere il pulsante "Start/Stop" per iniziare l'allenamento.

Programmi preimpostati (P1 ~ P12)

Per i programmi preimpostati la velocità è fissa, e quindi la distanza e le calorie non possono essere impostate come target, poiché questo è direttamente collegato al tempo di allenamento.

Il tempo di allenamento può essere impostato come target.

Intervallo target: 5:00 ~ 99:00 ± 1:00 minutes.

- Premere il pulsante "Mode" [modalità] in modalità stop per alternare fra le varie modalità di programmazione. Selezionare P1 ~ P12 secondo le proprie preferenze per scegliere un programma preimpostato.
Non è necessario confermare il programma selezionato.
- La finestra "Time" [tempo] mostrerà il valore 30:00 lampeggiante come tempo target predefinito in minuti da impostare.
- Premere "Doppia freccia su/giù" per cambiare il tempo target secondo le proprie esigenze.
Intervallo target: 5:00 ~ 99:00 ± 1:00 minutes.
- Premere il pulsante "Start/Stop" per iniziare l'allenamento.

⚠️ NOTA

- Nella figura G si possono controllare i differenti profili di programma.
- Ogni profilo pre-programmato è diviso in 20 sezioni, ogni segmento rappresenta 1/20 del tempo target preimpostato.

Il set viene riportato all'inizio

Pulizia e manutenzione

⚠️ ATTENZIONE

- L'attrezzo da allenamento richiede una manutenzione mensile, anche quando non viene utilizzato.
- Prima di qualsiasi intervento di pulizia o manutenzione, scollegare la spina di alimentazione dalla presa a muro.
- Non utilizzare solventi per pulire l'apparecchio.
- Non bloccare le aperture di ventilazione. Mantenere le aperture di ventilazione pulite da polvere, sporco e altre ostruzioni.
- Pulire l'apparecchio con un panno morbido e assorbente dopo ogni uso.
- Pulire la parti visibile dell'apparecchio con un aspirapolvere dotato di bocchetta a lancia.
- Verificare regolarmente che tutte le viti e i dadi siano serrati.

⚠️ ATTENZIONE

- Raccomandiamo di usare solo scarpe da interni sul tapis roulant. Se non si ha questo tipo di scarpe, è preferibile controllare le soles delle proprie scarpe prima di usarle sul tapis roulant per accertarsi che siano pulite, poiché il tapis roulant non può essere utilizzato se è presente della sporcizia proveniente dall'esterno.

Pulizia generale

Sporcizia, polvere, e peli di animali possono bloccare l'entrata dell'aria ed accumularsi sulla cinghia per la camminata. Mensilmente: pulire con un aspiratore sotto il tapis roulant per evitare l'accumulo di polvere.

PRIMA DI FARE QUESTO, BISOGNA STACCARE IL CAVO DI ALIMENTAZIONE..

Polvere sulla cinghia

Questo succede durante le normali fasi preliminari o fino a quando la cinghia non si sarà stabilizzata. Rimuovere l'eccesso di polvere con un panno umido ridurrà al minimo la formazione di polvere.

Cinghia e Pedana per la corsa

Il tapis roulant utilizza un letto a basso attrito molto efficiente. Le prestazioni sono migliori se la pedana viene mantenuta pulita e priva di polvere e sporcizia. La sporcizia e le particelle di polvere tra la pedana e il tappeto scorrevole danneggiano la superficie della pedana, compromettendo le prestazioni e la durata del prodotto.

Come pulire la pedana

Usare un panno morbido e asciutto per pulire il bordo della pedana e l'area tra il bordo del tappeto di scorrimento e il telaio. Cercare di arrivare anche sotto i bordi del tappeto di scorrimento, per rimuovere l'accumulo di sporco anche sui bordi.

Come pulire la superficie del tappeto di scorrimento

In primo luogo, usare una spazzola di nylon per rimuovere le particelle dalla superficie del tappeto di scorrimento. Si può usare un panno umido strizzato (senza detersivi o abrasivi) per pulire delicatamente la parte superiore testurizzata del tappeto. Lasciare asciugare completamente il tappeto prima di usarlo.

⚠️ NOTA

- Se il tappeto è troppo sporco per essere pulito solo con l'acqua, si può usare un sapone delicato, ma mai un solvente lubrificante.
- Evitare che non finisca mai della soluzione fra la pedana e il tappeto di scorrimento.

Questo dovrebbe essere fatto regolarmente per prolungare la vita del tappeto di scorrimento e della pedana.

Lubrificazione (fig. F-5)

⚠️ NOTA

- La pedana del tapis roulant viene pre-lubrificata prima di essere montata sul tapis roulant durante la produzione dell'attrezzo. Pertanto non è necessario lubrificare la pedana al primo utilizzo.

È necessario controllare regolarmente che la pedana sia lubrificata. Per questo motivo il tapis roulant presenta una funzione promemoria che si attiva ogni 300 km. La "FINESTRA TEMPO" visualizza "OLIO" e come promemoria emette un segnale acustico ogni 10 secondi. Seguire la procedura di controllo in basso; eliminare il messaggio "OLIO" e il segnale di avviso acustico tenendo premuto il pulsante "MODE" per almeno 3 secondi durante questo segnale di avviso.

⚠️ AVVERTIMENTO


- Prima della lubrificazione, togliere la spina elettrica dalla presa di corrente.

⚠ ATTENZIONE

- Si consiglia di controllare la lubrificazione della cinghia di scorrimento almeno una volta al mese, in quanto più fattori del tempo possono essere efficaci per le condizioni del lubrificante.
 - Lubrificare il tapis roulant solo se necessario. Se applicate troppo lubrificante, il tapis roulant slitterà facilmente a causa di una mancanza di frizione.
- Stare ben fermi sul tapis roulant.
 - Afferrare il manubrio anteriore e spingere il tapis roulant con i piedi di modo che scivoli avanti e indietro. Il tapis roulant deve muoversi senza problemi e in modo uniforme senza fare rumore.
 - Se il tapis roulant non si muove senza problemi e in modo uniforme o se non si muove per niente, toccare la parte inferiore del tapis roulant con le punte delle dita per verificare la lubrificazione:
 - Se sentite la lubrificazione o se le punte delle vostre dita sono lucide, significa che il tapis roulant è sufficientemente lubrificato.
 - Se non sentite la lubrificazione o se le punte delle vostre dita sono impolverate o ruvide, applicare del lubrificante (± 10 ml.) nella parte centrale del tappeto sotto il tapis roulant e far funzionare l'apparecchio a 5km/h per almeno 5 minuti.
 - Dopo la lubrificazione, non chiudere l'attrezzatura prima di aver fatto un allenamento per 2 minuti a una velocità di almeno 5 km/h. Questo consentirà al lubrificante di venire completamente assorbito dalla pedana e distribuirsi in modo uniforme.

⚠ NOTA

- Se 5 km/h è una velocità troppo elevata per le vostre possibilità, camminate pure alla velocità che preferite, ma aumentate la durata ad almeno 5 minuti.

 Cliccare per vedere il nostro video di supporto su YouTube
<https://youtu.be/ceaOYnofY5k>

Registrazioni della cinghia

Le prestazioni del vostro tapis roulant dipendono dal telaio che deve muoversi su una superficie ragionevolmente piana. Se il telaio non è in piano, il rullo anteriore e posteriore non possono andare paralleli, e potrebbe servire una registrazione continua della cinghia.

Il tapis roulant è progettato per tenere la cinghia di camminamento ragionevolmente centrata durante l'uso. E' normale che alcune cinghie si spostino su un fianco se la cinghia gira senza nessuno sopra. Dopo alcuni minuti di utilizzo, la cinghia di camminamento dovrebbe iniziare a centrarsi da sola. Se, durante l'uso, la cinghia continua a spostarsi su un lato, è necessario effettuare delle registrazioni.

ECCEZIONE:

Durante la riabilitazione dove l'utente utilizza una gamba più dell'altra, potrebbe succedere che la cinghia di camminamento si sposti su un lato. In questi casi non dovrete regolarla a meno che la cinghia di camminamento non si accentri.

Regolazione della tensione della cinghia.

La registrazione deve essere fatta dal rullo posteriore. I bulloni di regolazione si trovano alla fine delle guide dei passi nei coperchi terminali, come annotato nello schema qui sotto.

- Serrare i bulloni del rullo posteriore (in senso orario) solo quanto basta per evitare lo slittamento sul rullo anteriore. Girare entrambi i bulloni di registrazione della tensione della cinghia di camminamento con incrementi di $\frac{1}{4}$ di giro ognuno e verificare che vi sia la tensione corretta camminando sulla cinghia a bassa velocità, verificando che la cinghia non slitti. Continuare a tirare i

bulloni fino a quando la cinghia non slitterà più.

- Se sentite che la cinghia è sufficientemente tesa, ma continua a slittare, il problema potrebbe essere una cinghia di trasmissione del motore lenta sotto il coperchio anteriore.
- Non serrare troppo
Un sovrasserraggio danneggerà la cinghia e causerà un guasto prematuro del cuscinetto.



Cliccare per vedere il nostro video di supporto su YouTube
https://youtu.be/pp4_4bL1MXo

Centraggio della pedana (fig. F-4)

Il centraggio della pedana è necessario quando questa non scorre al centro della superficie di corsa. Questo si nota facilmente quando lo spazio tra la piattaforma laterale e la pedana è decisamente maggiore su un lato rispetto all'altro.

Questo può essere causato da:

CAUSA 1

Si sta usando una gamba più potente in fase di spinta durante l'allenamento. Questo fa sì che la pedana venga spinta di lato, ma si correggerà automaticamente quando si lascerà girare la pedana senza alcun carico per alcuni minuti.

CAUSA 2

Il tapis roulant non è livellato orizzontalmente, quindi la gravità tira lentamente la pedana verso l'estremità più bassa del tapis roulant. Questo va corretto livellando correttamente il tapis roulant, poiché non può essere risolto con nessun'altra regolazione.

CAUSA 3

La pedana non è centrata correttamente tra il tamburo a rulli anteriore e quello posteriore. Questo deve essere corretto regolando l'allineamento della pedana come qui sotto.

Per regolare l'allineamento della pedana, utilizzare la chiave a brugola fornita con il tapis roulant.

- Impostare il proprio tapis roulant a una velocità di ± 5 km/h, senza correrci sopra.
- Se la pedana scorre sul lato destro.
Ruotare in senso antiorario per $\frac{1}{4}$ di giro il bullone di regolazione del rullo posteriore sinistro, situato all'estremità posteriore in un incavo nel coperchio del rullo posteriore.
- Se la pedana scorre sul lato sinistro.
Ruotare in senso antiorario per $\frac{1}{4}$ di giro il bullone di regolazione del rullo posteriore destro, situato all'estremità posteriore in un incavo nel coperchio del rullo posteriore.
- Attendere ± 2 minuti per dare alla pedana in movimento il tempo di rispondere alla regolazione prima di ripetere eventualmente le fasi di regolazione per ottenere il risultato desiderato.

⚠ NOTA

- Bisogna considerare, che un piccolo aggiustamento può fare una grande differenza, quindi effettuare degli aggiustamenti graduali.



Cliccare per vedere il nostro video di supporto su YouTube
<https://youtu.be/qx5AvTv00J4>

La cinghia potrebbe richiedere una registrazione dell'orientamento a seconda dell'uso e dalle caratteristiche di camminamento/corsa. Alcuni utenti influenzeranno l'orientamento in modo differente. Prevedete di fare le regolazioni richieste per centrare la cinghia. Le regolazioni diventeranno meno di una manutenzione se la cinghia è usata. Un orientamento corretto della cinghia è responsabilità del proprietario comune a tutti i tapis roulant.

NOTA

- I danni alla cinghia di camminamento causati da un orientamento/registrazione di tensione non corretti non sono coperti dalla garanzia.

Disturbi durante l'uso

Nonostante un continuo controllo della qualità, l'attrezzatura potrebbe talvolta presentare difetti e malfunzionamenti, causati da qualche singolo componente. Nella maggior parte dei casi, non c'è bisogno di mettersi a far riparare tutta l'attrezzatura, ma generalmente basta sostituire il pezzo o la parte difettosa.

Se l'attrezzo non funziona bene durante l'uso o se si ha bisogno dei pezzi di ricambio, contatta il tuo rivenditore Tunturi indicando che cosa ti tratta, le condizioni in cui lo usi, la data di acquisto, il modello e il numero di serie del tuo attrezzo. Si raccomanda di utilizzare sempre pezzi di ricambio originali.

Se si richiedono parti di ricambio, fornire sempre il modello, il numero di serie dell'apparecchiatura e il numero di parte di ricambio per la parte necessaria. L'elenco dei pezzi di ricambio è sul retro di questo manuale. Utilizzare solo pezzi di ricambio citati nell'elenco delle parti di ricambio.

Codici di errore

Se il display mostra un codice di errore (contrassegnato con "E" + numero), riavviare l'apparecchio e controllare se il display continua a riportare il codice di errore. Se il display continua a riportare il codice di errore, contattare immediatamente il rivenditore.

Oil

OIL non è un codice di errore, vedi "Lubrificazione"

Codice "-- -- --"

La console mostrerà il codice "-- -- --" quando la chiave di sicurezza non è in posizione durante l'avvio.

"-- -- --" non è un codice di errore, vedi "Chiave di sicurezza"

Trasporto e stoccaggio

ATTENZIONE

- Prima di trasportare e riporre l'apparecchio, rimuovere l'adattatore.
- Per trasportare e spostare l'apparecchio sono necessarie almeno due persone.
- Accertarsi che non vi siano altre persone o oggetti sotto l'apparecchio.
- Quando si richiude l'apparecchio, accertarsi che si senta che l'apparecchio si blocca in posizione per evitare che possa cadere all'indietro.

AVVISO

- Non trasportare questo apparecchio afferrandolo per il cavo, e non utilizzare il cavo di alimentazione come maniglia.

- Posizionarsi in piedi davanti all'apparecchio da entrambi i lati e afferrare saldamente le impugnature. Sollevare la parte anteriore dell'apparecchio in modo da sollevare il retro sulle ruote. Spostare l'apparecchio e abbassarlo con cura. Collocare l'apparecchio su una base protettiva per evitare danni alla superficie del pavimento.
- Spostare l'apparecchiatura con attenzione sulle superfici irregolari. Non spostare l'apparecchio al piano superiore utilizzando le ruote ma sostenerlo per le impugnature.
- Riporre l'apparecchio in un luogo asciutto con la minore variazione di temperatura possibile.

Garanzia

Garanzia dell'attrezzo sportivo Tunturi

Condizioni di garanzia

Il consumatore beneficia dei diritti legali applicabili previsti dalla legislazione nazionale in materia di commercio di beni di consumo. La garanzia non limita tali diritti. La Garanzia dell'acquirente è valida solo se l'articolo viene utilizzato in un ambiente approvato da Tunturi New Fitness BV per quel determinato attrezzo. Le istruzioni relative all'ambiente e di manutenzione specifiche per il prodotto sono riportate nel "manuale utente" del prodotto. Il "manuale utente" può essere scaricato dal nostro sito web. <http://manuals.tunturi.com>

Condizioni per la garanzia

La garanzia entra in vigore dalla data dell'acquisto dell'attrezzo. Le condizioni per la garanzia possono variare in funzione del paese. Rivolgersi al rivenditore di zona per maggiori informazioni sulle condizioni per la garanzia.

Copertura della garanzia

L'azienda Tunturi Ltd ed i suoi rappresentanti non rispondono per nessun motivo dei danni indiretti causati all'acquirente dall'attrezzo. Per danni indiretti s'intendono quelli relativi al mancato sfruttamento dell'attrezzo, mancato guadagno o altri danni di natura economica.

Limiti di garanzia

La garanzia copre i difetti di materiale e fabbrica dell'attrezzo che si manifestano subito dopo l'acquisto. La garanzia copre solo i difetti che si manifestano durante l'uso normale e conforme alle istruzioni del manuale di installazione, manutenzione ed uso fornito da Tunturi. L'azienda Tunturi Ltd ed i suoi rivenditori non rispondono dei danni causati da eventi al di fuori del loro controllo. La garanzia riguarda solo il proprietario originario dell'attrezzo ed è in vigore solo in quei paesi in cui Tunturi Ltd dispone di un proprio rappresentante autorizzato.

La garanzia non copre i difetti di quegli attrezzi o componenti che sono stati modificati senza l'espressa autorizzazione del fabbricante Tunturi Ltd. La garanzia non copre i difetti causati dalla normale usura, da un uso in condizioni non previste, dalla corrosione, dalla movimentazione e dal trasporto.

La garanzia non copre rumori o suoni emessi durante l'uso a meno che non impediscano l'uso dell'attrezzo e che non siano causati da un guasto all'attrezzo stesso.

La garanzia non comprende nemmeno i normali interventi di servizio dell'attrezzo, come per esempio la pulizia, lubrificazione, controllo periodico dei componenti né le piccole installazioni che può effettuare il cliente stesso e che non richiedono lo smontaggio/montaggio dell'attrezzo. Questi interventi sono, per esempio, la sostituzione del pannello, dei pedali o di altri componenti analoghi. La garanzia non copre gli interventi di riparazione previsti, se non vengono eseguiti da un rappresentante autorizzato Tunturi. Se sbagliate a seguire le istruzioni del manuale d'uso, decade subito la garanzia sul prodotto.

Dati tecnici

Parametro	Unità di misura	Valore
Tensione di alimentazione	Vca	210 ~ 240
Frequenza di alimentazione	HZ	50 ~ 60
Velocità	Km/H	1.0 ~ 10.0
Inclinazione	Step	~
Lunghezza (ripiegato)	Cm	123.5 (27.5)
Larghezza	Cm	61.0
Altezza (ripiegato)	Cm	120.0 (127.0)
Peso	Kg	24.0
Misurazione della frequenza cardiaca disponibile tramite:	Contatto impugnatura	No
	5.0 Khz	No
	5,3 Khz.	No
	Bluetooth (BLE)	No
	ANT+	No

Dichiarazione del fabbricante

Tunturi New Fitness BV dichiara che questo prodotto è conforme ai seguenti standard e direttive: EN 957 (HC), 2014/30/EU. Pertanto sul prodotto è apposto il marchio CE.

03-2022

Tunturi New Fitness BV
Purmerweg 1
1311 XE Almere
Paesi Bassi

Clausola di esonero della responsabilità

© 2022 Tunturi New Fitness BV

Tutti i diritti riservati.

- Il prodotto e il manuale sono soggetti a modifiche.
- Le specifiche tecniche possono essere modificate senza preavviso.
- Vedere il nostro sito Web per la versione del manuale più recente.

Español

Este manual español es una traducción del texto inglés. No se pueden derivar derechos de esta traducción. El texto original en inglés prevalecerá.

Índice

¡Bienvenido	58
Advertencias de seguridad.....	58
Seguridad eléctrica	59
Instrucciones de montaje.....	59
Descripción de la ilustración A.....	59
Descripción de la ilustración B.....	59
Descripción de la ilustración C.....	59
Descripción de la ilustración D.....	59
Información ambiental adicional.....	60
Sesiones de ejercicio	60
Ejercicio Instrucciones.....	60
Del ritmo cardíaco.....	60
Uso	61
Controles de potencia.....	61
Plegado (Fig. F1 y F2).....	61
Llave de seguridad (fig. F-3).....	61
Consola (fig. E-1)	61
Botones.....	61
Explicación de los elementos de la pantalla	62
Programas	62
Inicio rápido	62
Fin del entrenamiento.....	62
Programas preestablecidos (P0).....	63
Programas preestablecidos (P1 ~ P12)	63
Limpieza y mantenimiento.....	63
Limpieza general.....	63
Cinta y cubierta de correr:	63
Lubricación (fig. F-5).....	64
Ajustes de la cinta	64
Defectos De Funcionamiento	65
Códigos de error.....	65
Oil.....	65
Código “- - - -”	65
Transporte y almacenamiento.....	65
Garantía.....	65
Datos técnicos	66
Declaración del fabricante	66
Descargo de responsabilidad	66

¡Bienvenido

¡Bienvenido al mundo de Tunturi Fitness!

Le agradecemos la compra de esta máquina Tunturi. Tunturi ofrece una amplia gama de máquinas de fitness profesionales como bicicletas elípticas, cintas de correr, bicicletas de ejercicio, bancos de fuerza y estaciones múltiples. La máquina Tunturi es adecuada para toda la familia, independientemente del nivel de forma física. Si desea información adicional, visite nuestro sitio web www.tunturi.com

Información y precauciones

Este manual es una parte esencial del equipo de entrenamiento. Lea todas las instrucciones de este manual antes de comenzar a utilizar el equipo. Se deberán observar siempre las siguientes precauciones:

Advertencias de seguridad
⚠ ADVERTENCIA

- Lea las advertencias de seguridad y las instrucciones. De no seguirse las advertencias de seguridad y las instrucciones pueden producirse lesiones personales o daños en la máquina. Conserve las advertencias de seguridad y las instrucciones para su consulta posterior.

⚠ ADVERTENCIA

- Los sistemas de motorización de frecuencia cardíaca pueden ser imprecisos. Un exceso de ejercicio puede provocar lesiones graves o incluso la muerte. Si se siente mareado, deje de hacer ejercicio inmediatamente.

- La máquina es adecuada únicamente para uso doméstico. La máquina no es adecuada para un uso comercial.
- El uso máx. Está limitado a 2 horas al día.
- El uso de esta máquina por niños o por personas con una discapacidad física, sensorial o motora, o falta de experiencia y conocimientos, puede dar lugar a situaciones de riesgo. Las personas responsables de su seguridad deben dar instrucciones explícitas o supervisar el uso de la máquina.
- Antes de empezar a hacer ejercicio, consulte con un médico para comprobar su estado de salud.
- Si experimenta náuseas, mareos u otros síntomas anormales, deje de hacer ejercicio inmediatamente y consulte con un médico.
- Para evitar dolor y tensión muscular, realice un calentamiento antes de empezar a hacer ejercicio y termine haciendo relajación. Recuerde hacer estiramientos al final de la sesión de ejercicio.
- La máquina es adecuada únicamente para uso en interior. La máquina no es adecuada para un uso en exterior.
- Utilice la máquina únicamente en lugares con una ventilación adecuada. No utilice la máquina en lugares donde haya corriente para no resfriarse.
- Utilice la máquina únicamente en lugares con una temperatura ambiente entre 10 °C y 35 °C. Almacene la máquina únicamente en lugares con una temperatura ambiente entre 5 °C y 45 °C.
- No utilice ni almacene la máquina en espacios húmedos. La humedad del aire no debe ser superior al 80%.
- Utilice la máquina sólo para su uso previsto. No la utilice para otros fines que no sean los descritos en el manual.
- La máquina no debe utilizarse si alguna de las piezas ha sufrido daños o tiene algún defecto. Contacte con su proveedor si alguna de las piezas ha sufrido daños o tiene algún defecto.
- Mantenga las manos, los pies y demás partes del cuerpo alejadas de las piezas móviles.
- Mantenga el pelo alejado de las piezas móviles.
- Lleve ropa y calzado adecuado.

- Mantenga la ropa, las joyas y otros objetos alejados de las piezas móviles.
- Asegúrese de que sólo una persona utilice la máquina cada vez. La máquina no debe ser utilizada por personas cuyo peso supere los 100 kg (220 lbs).
- No abra la máquina sin consultar con su proveedor.

Seguridad eléctrica

- Antes del uso, compruebe siempre que la tensión de red sea la misma que la tensión indicada en la placa de características de la máquina.
- No utilice un cable alargador.
- Mantenga el cable de red alejado del calor, de aceite y de bordes afilados.
- No altere ni modifique el cable de red o el enchufe de red.
- No utilice la máquina si el cable de red o el enchufe de red ha sufrido daños o tiene algún defecto. Si el cable de red o el enchufe de red ha sufrido daños o tiene algún defecto, contacte con su proveedor.
- Desenrolle siempre el cable de red en su totalidad.
- No pase el cable de red debajo de la máquina. No pase el cable de red debajo de una alfombra. No coloque ningún objeto sobre el cable de red.
- Asegúrese de que el cable de red no cuelgue sobre el borde de una mesa. Asegúrese de que el cable de red no quede atrapado y que no sea posible tropezarse con él.
- No deje la máquina desatendida cuando el enchufe de red esté insertado en la toma de pared.
- No tire del cable de red para sacar el enchufe de la toma de pared.
- Retire el enchufe de red de la toma de pared cuando la máquina no se esté utilizando, antes del montaje o el desmontaje o antes de la limpieza y el mantenimiento.

⚠ ADVERTENCIA

- Si la tensión varía en un diez por cien (10%) o más, esto podrá afectar al rendimiento de la cinta. Esta situación no está cubierta por la garantía. Si sospecha que la tensión es baja, póngase en contacto con su compañía eléctrica o un electricista autorizado para que lo compruebe.

⚠ ADVERTENCIA

- Sitúe el cable de alimentación lejos de cualquier pieza móvil de la cinta, incluido el mecanismo de elevación y las ruedas de transporte.

⚠ ADVERTENCIA

- No use nunca agua o cualquier otro líquido directamente en o cerca del equipo, utilice solo un paño húmedo si se requiere humedad para limpiar la máquina.
- El uso directo de líquido es perjudicial para los componentes del equipo y puede provocar una descarga eléctrica a causa de un cortocircuito. Esto podría provocar lesiones personales graves o incluso la muerte.

Instrucciones de toma de tierra

Este producto deberá tener una toma de tierra. Si el sistema eléctrico de la cinta se averiara o fallara, la toma de tierra proporciona una ruta de menos resistencia para la corriente eléctrica, reduciendo el riesgo de descarga eléctrica. Este producto está equipado con un cable que tiene un enchufe de toma de tierra de equipo. El enchufe se deberá enchufar en una toma adecuada que esté instalada correctamente y esté conectada a tierra conforme a todos los códigos y disposiciones locales.

⚠ ADVERTENCIA

- Una conexión inadecuada del conductor de toma de tierra del equipo podrá provocar un riesgo de descarga eléctrica. Compruebe con un electricista cualificado o persona de mantenimiento si tiene dudas sobre si el producto está conectado a tierra correctamente. No modifique el enchufe proporcionado con el producto si no encaja en la toma; encargue a un electricista cualificado que le instale una toma adecuada.

Instrucciones de montaje

Descripción de la ilustración A

La ilustración muestra cuál debe ser el aspecto de la máquina una vez completado el montaje.

Puede utilizar esta ilustración como referencia durante el montaje, pero siga siempre los pasos de montaje en el orden correcto como se muestra en las ilustraciones.

Descripción de la ilustración B

La ilustración muestra los componentes y las piezas que debe encontrar al desembalar el producto.

⚠ ATENCIÓN !!

- Las piezas de pequeño tamaño pueden estar ocultas o embaldadas en espacios huecos del sistema de protección de poliestireno extruido del producto

Descripción de la ilustración C

La ilustración muestra el juego de tornillería que se suministra con el producto.

El juego de tornillería contiene pernos, arandelas, tornillos, tuercas, etc. y las herramientas necesarias para montar correctamente la máquina.

Descripción de la ilustración D

Las ilustraciones muestran cómo montar mejor la máquina en el orden correcto.

⚠ ATENCIÓN !!

- Los números de pieza que se muestran en los pasos de montaje comienzan con la ilustración de la pieza de repuesto que se puede encontrar en la versión en línea del manual de usuario.

⚠ ADVERTENCIA

- Monte la máquina en el orden indicado.
- Al menos dos personas deben transportar y mover la máquina.

⚠ PRECAUCIÓN

- Coloque la máquina sobre una superficie firme y nivelada.
- Coloque la máquina sobre una base protectora para evitar daños en la superficie del suelo.
- Deje unos 100 cm de espacio alrededor de la máquina.
- Consulte las ilustraciones para el correcto montaje de la máquina.

⚠ NOTA

- Guarde las herramientas suministradas con este producto una vez que haya completado el montaje del producto, para futuros fines de servicio.

Información ambiental adicional

Eliminación de embalajes

Las pautas gubernamentales exigen reducir la cantidad de residuos que se depositan en los basureros. Por este motivo, le rogamos que deseche los embalajes de manera responsable en centros públicos de reciclaje.

Eliminación al final de la vida útil

Desde Tunturi esperamos que disfrute de su equipo de entrenamiento durante muchos años. No obstante, llegará un momento en que éste llegue al final de su vida útil. Conforme a la Directiva WEEE (relativa a la gestión de residuos procedentes de equipos eléctricos y electrónicos) le corresponde a usted la responsabilidad de desechar adecuadamente su equipo de entrenamiento en un centro público autorizado de recogida.

Sesiones de ejercicio

La sesión de ejercicio debe ser ligera, pero de larga duración. El ejercicio aeróbico se basa en mejorar el consumo de oxígeno máximo del cuerpo, lo que a su vez mejora la resistencia y la forma física. Debe transpirar, pero no debe quedarse sin aliento durante la sesión de ejercicio. Para lograr y mantener un nivel de forma física básico, debe realizar ejercicio al menos tres veces a la semana, 30 minutos cada vez. Aumente el número de sesiones de ejercicio para mejorar su nivel de forma física. Vale la pena combinar el ejercicio regular con una dieta sana. Una persona que se encuentre a dieta debe realizar ejercicio a diario, al principio 30 minutos o menos cada vez, aumentando gradualmente el tiempo de ejercicio diario hasta una hora. Empiece la sesión de ejercicio a velocidad baja y resistencia baja para evitar que el sistema cardiovascular se vea sometido a una tensión excesiva. A medida que mejore el nivel de forma física, pueden aumentarse gradualmente la velocidad y la resistencia. La eficiencia de su ejercicio puede medirse supervisando su frecuencia cardíaca y sus pulsaciones.

Ejercicio Instrucciones

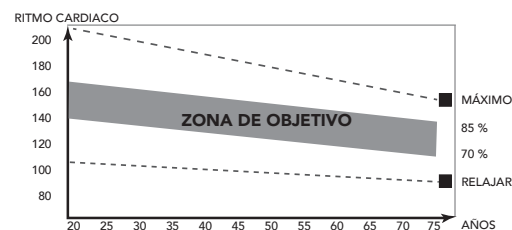
El uso de su entrenador le aportará muchas ventajas, mejorará su tono físico, tonificará los músculos y, combinado con una dieta con un consumo controlado de calorías, le ayudará a perder peso.

Fase de calentamiento

Esta fase mejora la circulación y favorece el buen funcionamiento de los músculos. Asimismo, reduce el riesgo de calambres y de lesiones musculares. Es conveniente realizar una serie de ejercicios de estiramiento, como se muestra más abajo. Al estirar se debe mantener la posición durante unos 30 segundos; no fuerce los músculos ni realice movimientos bruscos para estirarlos, si duele, PARE inmediatamente.

Fase de ejercicio

Esta es la fase de esfuerzo. Tras un uso regular, los músculos de las piernas irán ganando flexibilidad. Es importante mantener un ritmo estable durante toda esta fase. El ejercicio debe ser lo suficientemente fuerte como para incrementar el ritmo cardíaco hasta el objetivo que se muestra en el siguiente cuadro.



Esta fase debe tener una duración mínima de 12 minutos, aunque la mayoría de las personas empiezan a los 15-20 minutos.

Fase de enfriamiento

La finalidad de esta fase es permitir que se relaje el sistema cardiovascular y los músculos. Es una repetición del ejercicio de calentamiento, por lo que debe ir reduciendo el ritmo de manera constante durante unos 5 minutos. En este momento debe repetir también los ejercicios de estiramiento, evitando de nuevo forzar los músculos o hacer movimientos bruscos.

A medida que vaya mejorando su forma física, es posible que el entrenamiento tenga que ser más largo e intenso. Es aconsejable entrenarse al menos tres veces a la semana, espaciando de manera uniforme, en la medida de lo posible, los entrenamientos durante la semana.

Tonificación muscular

Si quiere tonificar los músculos mientras trabaja con el aparato, deberá ajustar la resistencia en un nivel bastante alto. Así aumentará la tensión sobre los músculos de las piernas, con lo que es posible que no pueda entrenarse durante todo el tiempo que le gustaría. Si quiere mejorar su condición física, tendrá que modificar también el programa de entrenamiento. El entrenamiento durante las fases de calentamiento y enfriamiento será igual, pero debe aumentar la resistencia hacia el final de la fase de ejercicio para incrementar el esfuerzo del tren inferior. Tendrá que reducir la velocidad para mantener el ritmo cardíaco en la zona objetivo.

Pérdida de peso

El factor determinante en este sentido es el esfuerzo realizado. Cuanto más intenso y prolongado sea el ejercicio físico, más calorías quemará. En realidad, es lo mismo que si se entrenara para mejorar la condición física, lo que cambia es el objetivo.

Del ritmo cardíaco

NOTA

- Este entrenador no viene con un monitor de ritmo cardíaco incorporado. Cuando desee controlar su ritmo cardíaco, debe utilizar un dispositivo adicional.

Frecuencia cardíaca máxima (durante el entrenamiento)

alcanzar una persona de forma segura por la tensión del ejercicio. Se utiliza la siguiente fórmula para calcular la frecuencia cardíaca máxima media: $220 - \text{EDAD}$. La frecuencia cardíaca máxima varía según la persona.

ADVERTENCIA

- Asegúrese de no superar la frecuencia cardíaca máxima durante la sesión de ejercicio. Si usted se encuentra en un grupo de riesgo, consulte con un médico.

Principiante

50-60% de frecuencia cardíaca máxima

Adecuada para principiantes, personas que cuidan la línea, convalecientes y personas que no han hecho ejercicio en mucho tiempo. Haga ejercicio al menos tres veces a la semana, 30 minutos cada vez.

Avanzado

60-70% de frecuencia cardíaca máxima

Adecuada para personas que desean mejorar y mantener la forma física. Haga ejercicio al menos tres veces a la semana, 30 minutos cada vez.

Experto**70-80% de frecuencia cardíaca máxima**

Adecuado para personas con muy buena forma física que están acostumbradas a sesiones de ejercicio de gran resistencia.

Uso**Controles de potencia****Interruptor de alimentación principal (fig. E-A)**

La máquina está equipada con un interruptor de alimentación principal para poder a pagarla completamente.

Para poner en marcha la máquina:

- Inserte el enchufe de red en la toma de pared.
- Sitúe el interruptor de alimentación principal en la posición de encendido (ON).

Para parar la máquina:

- Sitúe el interruptor de alimentación principal en la posición de apagado (OFF).
- Retire el enchufe de red de la toma de pared.

Disyuntor (Fig. E-B)

La máquina está equipada con un disyuntor que interrumpe el circuito cuando la carga eléctrica está por encima de la capacidad máxima. Cuando esto ocurra, debe pulsarse el disyuntor.

⚠ ADVERTENCIA

- Antes de pulsar el disyuntor, retire el enchufe de red de la máquina.

Si la máquina se apaga, haga lo siguiente para reiniciarla:

- Retire el enchufe de red de la máquina.
- Pulse el disyuntor para reiniciar la máquina.
- Inserte el enchufe de red en la máquina.

⚠ NOTA

- Algunos disyuntores usados en las casas no son idóneos para elevadas corrientes de irrupción que pueden producirse cuando se enciende por primera vez una cinta de correr o incluso durante el uso normal. Si la cinta está disparando el disyuntor (incluso aunque sea de la clase de corriente correcta y la cinta sea el único aparato del circuito), pero el disyuntor de la cinta en sí no se dispara, tendrá que sustituir el disyuntor por uno de clase de irrupción elevada. No es un defecto cubierto por la garantía. Es una situación que nosotros, como fabricantes, no podemos controlar.

Plegado (Fig. F1 y F2)**Plegado**

Para su comodidad, el equipo se puede plegar de manera que ocupe menos espacio.

- Coloque el interruptor de encendido en el modo de apagado (OFF).
 - Extraiga el cable de alimentación de la toma de corriente.
 - Afloje la perilla (7) ubicada en el lado inferior (izquierdo) del aparato de entrenamiento y sáquela del bastidor.
 - Pliegue suavemente la plataforma para correr para evitar que el bastidor vertical se caiga. (Mientras sujeta la perilla de fijación (7) con la mano)
- Evite que el cable de alimentación quede atrapado mientras se pliega.

- Coloque la perilla de fijación (7) en la mitad del tubo vertical (izquierdo), introdúzcala en la ranura de fijación de la plataforma para correr y fíjela firmemente.
- No suelte la plataforma de rodamiento de la cinta de correr antes de fijarla completamente, ya que podría caerse accidentalmente si no está bien fijada.
- Guarde el cable de alimentación en un lugar donde no resulte dañado, no quede atrapado ni suponga un peligro de tropiezo.

Desplegado

- Afloje la perilla de fijación (7) en la mitad del tubo vertical (izquierdo) mientras sujeta la plataforma para correr y sáquela del bastidor.
- Despliegue la plataforma de la cinta de correr apoyándola hasta el final.
- Evite que el cable de alimentación quede atrapado durante el despliegue.
- Coloque la perilla de fijación en el lado inferior (izquierdo) del entrenador y fíjela firmemente.

Consulte las ilustraciones para conocer la forma correcta de desplegar y plegar el equipo.

Llave de seguridad (fig. F-3)

La máquina está equipada con una llave de seguridad que debe insertarse correctamente en la consola para poner en marcha la máquina. Si retira la llave de seguridad de la consola, la máquina se para inmediatamente.

- Inserte la llave de seguridad en la ranura de la consola.
- Asegúrese de que la pinza de la llave de seguridad esté bien sujeta a su ropa. Asegúrese de no retirar la pinza de su ropa antes de retirar la llave de seguridad de la consola.

⚠ NOTA

- La consola mostrará el código “- - -” cuando la llave de seguridad no esté en posición durante el inicio.

Consola (fig. E-1)**⚠ PRECAUCIÓN**

- Mantenga la consola alejada de la luz solar directa.
- Seque la superficie de la consola cuando esté cubierta de gotas de sudor.
- No se apoye en la consola.
- Toque la pantalla únicamente con la punta del dedo. Asegúrese de no tocar la pantalla con las uñas ni objetos afilados.

⚠ NOTA

- La consola pasa al modo de espera activa cuando la máquina no se usa durante 10 minutos.

Botones**Mode**

- Seleccione el modo de programa (P0 ~ P12)
- Confirme el ajuste para acceder al siguiente paso del modo de programación.

Set

- Establezca su(s) objetivo(s) de entrenamiento cuando esté en el modo de programación.

Start/Stop

- Comience el entrenamiento seleccionado después de una cuenta atrás de 5 segundos cuando esté en modo de parada.
- Al estar en modo de entrenamiento, el entrenador se detendrá gradualmente.

Flecha única arriba (+ 0,1)

- Aumenta la velocidad 0,1 km/h cada vez.
- Si se mantiene pulsada durante dos segundos, la velocidad aumenta más rápidamente.
- Incrementa los valores objetivo cuando está en modo de programación.

Distancia	+ 0.1 Km
Calorías	+ 1.0 K/ Cal
Tiempo	+ 1.0 min.

Flecha doble arriba (+ 1,0)

- Aumenta la velocidad 1,0 km/h cada vez.
- Si se mantiene pulsada durante dos segundos, la velocidad aumenta más rápidamente.
- Incrementa los valores objetivo cuando está en modo de programación.
- Incrementa los valores objetivo cuando está en modo de programación.

Distancia	+ 1.0 Km
Calorías	+ 10 K/ Cal
Tiempo	+ 10 min.

Flecha única abajo (- 0,1)

- Disminuye la velocidad 0,1 km/h cada vez.
- Si se mantiene pulsado durante dos segundos la velocidad disminuye más rápidamente.
- Disminuye los valores objetivo cuando está en modo de programación.

Distancia	- 0.1 Km
Calorías	- 1.0 K/ Cal
Tiempo	- 1.0 min.

Doble flecha abajo (- 1,0)

- Disminuye la velocidad 1,0 km/h cada vez.
- Si se mantiene pulsado durante dos segundos la velocidad disminuye más rápidamente.
- Incrementa los valores objetivo cuando está en modo de programación.

Distancia	- 1.0 Km
Calorías	- 10 K/ Cal
Tiempo	- 10 min.

¡ATENCIÓN!

- Los botones de control de velocidad solo funcionan en el modo de entrenamiento P0.

Explicación de los elementos de la pantalla

Speed (Velocidad)

- Muestra la selección de programa cuando se encuentra en modo de programación.
- Muestra una cuenta atrás de 5 segundos al pulsar el botón "Start" (Inicio).
- Muestra la velocidad real de la cinta en modo de entrenamiento.
Rango de visualización: 1,0 ~ 10,0 Km/h ± 0,1 km/h

Time (Tiempo)

- Muestra el tiempo de carrera en modo de entrenamiento.
- Muestra el tiempo restante cuando está en el modo de entrenamiento y se ha establecido un objetivo de entrenamiento por tiempo.
- Muestra el tiempo objetivo cuando se encuentra en modo de programación.
Rango de visualización: 00:01 ~ 99:99

Distance (Distancia)

- Muestra la distancia recorrida en modo de entrenamiento.
- Muestra la distancia restante cuando está en el modo de entrenamiento y se ha establecido un objetivo de entrenamiento por distancia.
- Muestra la distancia objetivo cuando se encuentra en modo de programación.
Rango de visualización: 0,0 ~ 99,9 Km ± 0,1 Km

Calories (Calorías)

- Muestra las calorías consumidas en modo de entrenamiento.
- Muestra las calorías restantes cuando está en el modo de entrenamiento y se ha establecido un objetivo de entrenamiento por calorías.
- Muestra las kilocalorías objetivo cuando se encuentra en modo de programación.
Rango de visualización: 0 ~ 999 K.Cal.

El indicador LED de calorías se enciende cuando se queman calorías.

¡ATENCIÓN!

- Estos datos sirven como guía para comparar distintas sesiones de ejercicio y no se pueden utilizar en tratamientos médicos

¡ATENCIÓN!

- Las pantallas "Distancia" y "Calorías" cambian cada 5 segundos.
- Utilice el botón "SET" para bloquear la pantalla.
- Utilice Set para alternar entre distancia y calorías.
Utilice el botón Mode para desbloquear pantallas o volver a cambiar de pantalla en modo de bloqueo.

Programas

Inicio rápido

- Pulse el botón "Start/Stop" para iniciar el entrenamiento sin ningún ajuste preestablecido.
- La cinta de correr arrancará a una velocidad mínima de 1,0 Km/h.
- Ajuste la velocidad manualmente en cualquier momento para cambiar el entrenamiento.

Fin del entrenamiento

- Pulse el botón "Start/Stop" para detener el entrenamiento y reiniciar la consola.
- Mantenga pulsado el botón "STOP" para detener el entrenamiento y reiniciar la consola.

Programas preestablecidos (P0)

Pulse el botón "Mode" en el modo de parada para alternar entre los modos de programa. Seleccione P0 para elegir el programa manual.

Si no desea establecer un objetivo, pulse directamente el botón "Start/Stop" y la cinta de correr iniciará el entrenamiento sin necesidad de establecer ningún objetivo.

Todos los valores en la pantalla empezarán a contar y la cinta de correr no se detendrá a menos que se pulse el botón "Start/Stop". En el modo P0, el usuario controla la velocidad durante el entrenamiento en todo momento.

Cuando quiera fijar un objetivo por: Tiempo, Calorías o Distancia.

Establecer un objetivo de entrenamiento por tiempo

- Pulse el botón "Set" una vez para abrir el modo de programación de objetivo cuando se seleccione P0 en el modo de selección de programas.
- La ventana "Tiempo" mostrará 30:00 parpadeando como tiempo objetivo por defecto en minutos para ajustar.
- Pulse la flecha doble arriba/abajo para cambiar el tiempo objetivo según sus necesidades.
Intervalo de objetivo: 5:00 ~ 99:00 ± 1:00 minutos.
- Pulse el botón "Start/Stop" para empezar la sesión de entrenamiento.

Establecer un objetivo de entrenamiento por distancia

- Pulse el botón "Set" dos veces para abrir el modo de programación de objetivo cuando se seleccione P0 en el modo de selección de programas.
- La ventana "Distancia" mostrará 1:00 parpadeando como distancia objetivo por defecto en KM para ajustar.
- Pulse la flecha doble arriba/abajo para cambiar la distancia del objetivo según sus necesidades.
Intervalo de objetivo: 0,5 ~ 99,9 ± 0,1 km.
- Pulse el botón "Start/Stop" para empezar la sesión de entrenamiento.

Establecer un objetivo de entrenamiento por calorías

- Pulse el botón "Set" tres veces para abrir el modo de programación de objetivo cuando se seleccione P0 en el modo de selección de programas.
- La ventana "Calorías" mostrará 50 parpadeando como objetivo por defecto en calorías para establecer.
- Pulse la flecha doble arriba/abajo para cambiar las calorías objetivo según sus necesidades.
Intervalo de objetivo: 10 ~ 999 K.Cal.
- Pulse el botón "Start/Stop" para empezar la sesión de entrenamiento.

Programas preestablecidos (P1 ~ P12)

En los programas preestablecidos, la velocidad es fija y, por lo tanto, la distancia y las calorías no pueden establecerse como objetivo, ya que están directamente relacionadas con el tiempo de entrenamiento.

Se puede establecer el tiempo de entrenamiento como objetivo.
Intervalo de objetivo: 5:00 ~ 99:00 ± 1:00 minutos.

- Pulse el botón "Mode" en el modo de parada para alternar entre los modos de programa. Seleccione P1 ~ P12 según su preferencia para seleccionar un programa preestablecido.
No es necesario confirmar el programa seleccionado.
- La ventana "Tiempo" mostrará 30:00 parpadeando como tiempo objetivo por defecto en minutos para ajustar.

- Pulse la flecha doble arriba/abajo para cambiar el tiempo objetivo según sus necesidades.
Intervalo de objetivo: 5:00 ~ 99:00 ± 1:00 minutos.
- Pulse el botón "Start/Stop" para empezar la sesión de entrenamiento.

¡ATENCIÓN!

- Los diferentes perfiles de los programas se pueden consultar en la fig. G.
- Cada uno de los perfiles preprogramados se divide en 20 secciones y cada segmento representa 1/20 del tiempo objetivo preestablecido.

El ajuste se restablece para empezar

Limpieza y mantenimiento

⚠ ADVERTENCIA

- Su entrenador requiere un mantenimiento mensual, incluso cuando no se utiliza.
- Antes de la limpieza y el mantenimiento, retire el enchufe de red de la toma de pared.
- No utilice disolventes para limpiar la máquina.

- No obstruya las aberturas de ventilación. Mantenga las aberturas de ventilación libres de polvo, suciedad y otras obstrucciones.
- Limpie la máquina con un paño suave y absorbente tras cada uso.
- Limpie las partes visibles de la máquina con un aspirador que tenga una boquilla de aspiración pequeña.
- Compruebe periódicamente que todos los tornillos y las tuercas estén apretados.

⚠ PRECAUCIÓN

- Recomendamos utilizar únicamente calzado de interior en la cinta de correr. En caso de no disponer de ellos, le recomendamos que compruebe las suelas de su calzado antes de utilizarlo en la cinta de correr para asegurarse de que están limpias, ya que la cinta no está diseñada para la suciedad del exterior.

Limpieza general

La suciedad, el polvo y el pelo de los animales pueden bloquear las entradas de aire y acumularse en la cinta de correr. Pase la aspiradora mensualmente debajo de la cinta para evitar que se acumule.
DESENCHUFE EL CABLE DE ALIMENTACIÓN ANTES DE HACER ESTAS TAREAS.

Polvo de la cinta

Esto ocurre durante una interrupción normal o hasta que la cinta se estabilice. Si limpia el exceso de polvo con un paño húmedo se minimizará la acumulación de éste.

Cinta y cubierta de correr:

La cinta de correr utiliza una base de baja fricción muy eficiente. El rendimiento se maximiza cuando la plataforma de funcionamiento se mantiene limpia y sin polvo y suciedad. La suciedad y las partículas de polvo entre la plataforma y la banda de rodadura dañarán la superficie de la plataforma, lo que afectará al rendimiento y a la vida útil del producto.

Cómo limpiar la plataforma para correr

Utilice un paño suave y seco para limpiar el borde de la cinta y el área entre el borde de la cinta y el bastidor. Intente llegar también bajo los bordes de la cinta de correr, para eliminar también la suciedad acumulada en los bordes.

Cómo limpiar la superficie de la cinta de correr

En primer lugar, utilice un cepillo de nylon para eliminar las partículas sueltas de la superficie de la cinta de correr. A continuación, utilice un paño húmedo escurrido (sin limpiadores ni abrasivos) para limpiar suavemente la parte superior de la cinta texturizada. Deje que la cinta se seque completamente antes de utilizarla.

⚠ ATENCIÓN!

- Cuando la cinta esté demasiado sucia para limpiarla solo con agua, puede utilizar un jabón suave, pero nunca un disolvente lubricante.
- Evite que la solución se introduzca en cualquier momento entre la plataforma y la cinta de correr.

Esto debe efectuarse regularmente para prolongar la vida útil de la cinta de correr y la plataforma.

Lubricación (fig. F-5)

⚠ ATENCIÓN!

- La cinta de correr se lubrica previamente antes de colocarla en el aparato durante la producción de la unidad. Por lo tanto, no hace falta lubricar la cinta de correr cuando se use por primera vez.

La cinta de correr debe inspeccionarse con regularidad para verificar su correcta lubricación. Para ello cuenta con una función de recordatorio de 300 km. La "VENTANA DE TIEMPO" mostrará "ACEITE" y emitirá una señal acústica cada 10 segundos a modo de recordatorio. Siga el procedimiento de comprobación siguiente y elimine el mensaje "ACEITE" y la señal acústica manteniendo pulsado el botón "MODE" durante al menos 3 segundos durante esta señal de advertencia.

⚠ ADVERTENCIA

- Antes de la lubricación, retire el enchufe de red de la toma de pared.

⚠ PRECAUCIÓN

- Recomendamos revisar la lubricación de la cinta de correr una vez al mes como mínimo, ya que hay otros factores que pueden afectar al estado de la lubricación, aparte del tiempo.
 - Lubrique la banda sólo si es necesario. Si aplica demasiado lubricante, la banda resbalará fácilmente debido a la ausencia de fricción.
- Sitúese sobre la banda.
 - Sujete el manillar frontal y empuje la banda con los pies de modo que se deslice hacia atrás y hacia delante. La banda debe moverse suave y regularmente sin hacer ruido.
 - Si la banda no se mueve suave y regularmente o no se mueve, toque la parte baja de la banda con las puntas de los dedos para comprobar la lubricación:
 - Si nota el lubricante o sus dedos están brillantes, hay suficiente lubricación en la banda.
 - Si no nota lubricante o sus dedos tienen polvo o están ásperos, aplique lubricante (±10 ml.) en la mitad de la plataforma bajo la banda y deje que la máquina funcione a 5 km/h durante al menos 5 minutos.
 - Tras la lubricación, no pliegue el equipo antes de haber realizado un entrenamiento de 2 minutos con una velocidad de al menos 5 km/h.
- Esto hará que la cinta de correr absorba el lubricante por completo y se distribuya de manera uniforme.

⚠ ATENCIÓN!

- Si 5 km/h es demasiado rápido, camine a la velocidad que desee, pero prolongue la duración hasta al menos 5 minutos.



Haga clic para ver nuestro video de ayuda en YouTube
<https://youtu.be/ceaOYnofY5k>

Ajustes de la cinta

El rendimiento de la cinta depende de que el bastidor esté sobre una superficie suficientemente plana. Si el bastidor no está horizontal, el rodillo delantero y trasero no podrán ir paralelos y habrá que ajustar constantemente la cinta.

La cinta de correr está diseñada para mantener la cinta razonablemente centrada cuando está en uso. Es normal que algunas cintas se desvíen hacia un lado cuando la cinta está funcionando sin nadie encima. Después de unos minutos de uso, la cinta deberá tender a centrarse por sí misma. Si durante el uso la cinta sigue moviéndose hacia un lado, habrá que ajustarla.

EXCEPCIÓN:

Durante una rehabilitación en la que el usuario esté usando una pierna mucho más que la otra, puede ocurrir que la cinta se desvíe a un lado. En esos casos, no deberá ajustarla a no ser que la cinta no se centre por sí misma durante el uso en condiciones normales.

Ajuste de la tensión de la correa

Ajuste de la tensión de la cinta de correr: El ajuste se deberá hacer desde el rodillo trasero. Los tornillos de ajuste se encuentran en el extremo de las barras en las tapas finales, como se indica en el siguiente dibujo.

- Apriete los tornillos del rodillo trasero (a la derecha) solo lo suficiente para que no patine la cinta en el rodillo delantero. Gire los dos tornillos de ajuste de la tensión de la cinta en pasos de ¼ de vuelta cada uno y examine si la tensión es correcta andando sobre la cinta a baja velocidad, asegurándose de que la cinta no patina. Siga tensando los tornillos hasta que la cinta deje de patinar.
- Si le parece que la cinta está suficientemente tensa, pero sigue patinando, el problema puede ser que esté suelta una correa de transmisión del motor debajo de la cubierta delantera.
- No apriete en exceso: Si se aprieta en exceso se podrá dañar la cinta y provocar un fallo prematuro de los cojinetes.



Haga clic para ver nuestro video de ayuda en YouTube
https://youtu.be/pp4_4bL1MXo

Centrado de la cinta de correr (fig. F-4)

Es necesario centrar la cinta de correr cuando esta no sigue el centro de la superficie de correr. Esto se nota fácilmente cuando el espacio entre la cinta de correr y la banda lateral es significativamente mayor en un lado en comparación con el otro.

Esto puede estar causado por (lo siguiente):

CAUSA 1

Utiliza una pierna con más potencia en el empuje durante el entrenamiento. Esto hace que se empuje la cinta hacia un lado, pero se corregirá automáticamente dejando la cinta en marcha sin carga durante unos minutos.

CAUSA 2

La cinta de correr no está nivelada horizontalmente, por lo que la gravedad tira de la cinta de correr lentamente hacia el extremo más bajo de la cinta. Esto debe corregirse nivelando correctamente la cinta de correr, ya que no puede solucionarse con ningún otro ajuste.

CAUSA 3

La cinta de correr no está centrada correctamente entre el tambor de rodillos delantero y trasero. Esto debe corregirse ajustando el seguimiento de la cinta de correr como se describe a continuación.

Para ajustar el seguimiento de la cinta de correr, utilice la llave Allen que se suministra con la cinta.

- Ajustar la cinta de correr a una velocidad de ± 5 km/h sin correr sobre ella.
- Si la cinta de correr se desplaza hacia el lado derecho.
Gire el tornillo de ajuste del rodillo trasero izquierdo, situado en el extremo posterior en una toma de la cubierta del rodillo trasero, en sentido contrario a las agujas del reloj 1/4 de vuelta.
- Si la cinta de correr se desplaza hacia el lado izquierdo.
Gire el tornillo de ajuste del rodillo trasero derecho, situado en el extremo posterior en una toma de la cubierta del rodillo trasero, en sentido contrario a las agujas del reloj 1/4 de vuelta.
- Espere ± 2 minutos para dar tiempo a la cinta de correr a responder al ajuste antes de repetir los pasos de ajuste (si es necesario para llegar al resultado deseado).

ATENCIÓN!

- Recuerde que un pequeño ajuste puede suponer una gran diferencia, así que realice los ajustes con pequeños incrementos cada vez.



Haga clic para ver nuestro video de ayuda en YouTube
<https://youtu.be/qx5AvTv00J4>

La cinta puede que requiera un ajuste periódico de la alineación dependiendo del uso y de las características de andar/correr. Algunos usuarios tendrán un efecto diferente sobre la alineación. Es de esperar que tenga que hacer los ajustes necesarios para centrar la cinta. Según se vaya usando la cinta, cada vez tendrá que realizar menos ajustes. Una alineación correcta de la cinta es una responsabilidad del propietario habitual en todas las cintas de correr.

NOTA

- los daños a la cinta de correr derivados de un ajuste incorrecto de la alineación/tensión no están cubiertos por la garantía..

Defectos De Funcionamiento

Pese al continuo control de calidad que realizamos, el equipo puede presentar defectos o malfuncionamientos debidos a fallos en componentes individuales. En la mayoría de los casos no es necesario llevar todo el equipo a reparar, y generalmente es suficiente con reemplazar la parte defectuosa.

Si el equipo no funciona correctamente durante su uso, tome contacto inmediatamente con su proveedor Tunturi. Relate la naturaleza del problema, las condiciones de uso, la fecha de compra, el modelo y el número de serie.

En el reverso de esta guía encontrará la lista de piezas. Utilice sólo piezas de repuesto mencionadas en la lista de piezas de repuesto.

Códigos de error

Si la pantalla muestra un código de error (marcado con "E" + número), reinicie la máquina y compruebe si la pantalla sigue mostrando el código de error. Si la pantalla sigue mostrando el código de error, contacte inmediatamente con su proveedor.

Oil

OIL no es un código de error, ver "Lubricación"

Código "-- -- --"

La consola mostrará el código "-- -- --" cuando la llave de seguridad no esté en posición durante el inicio.

"-- -- --" no es un código de error, ver "Llave de seguridad"

Transporte y almacenamiento

ADVERTENCIA

- Antes de la limpieza y el mantenimiento, retire el enchufe de red de la toma de pared.
- Al menos dos personas deben transportar y mover la máquina.
- Asegúrese de que no haya otras personas ni objetos debajo de la máquina.
- Al plegar la máquina, asegúrese de que se escucha el bloqueo de la máquina en su posición para evitar que se pueda desplegar.

PRECAUCIÓN

- No transporte este aparato agarrándolo por el cable, ni tampoco utilice el cable de alimentación como asa.
- Mueva la máquina como se muestra (fig. F3). Mueva la máquina y bájela con cuidado. Coloque la máquina sobre una base protectora para evitar daños en la superficie del suelo. Mueva la máquina con cuidado sobre superficies irregulares. No suba la máquina por las escaleras usando las ruedas; transporte la máquina por los manillares.
- Almacene la máquina en posición vertical (fig. F1). Almacene la máquina en un lugar seco con la menor variación de temperatura posible.

Garantía

Garantía del propietario del equipo Tunturi

Condiciones de la garantía

El cliente tiene derecho a los beneficios jurídicos aplicables recogidos en la legislación nacional relativa al comercio de bienes de consumo. Esta garantía no restringe dichos beneficios. La garantía del cliente solo será válida si se utiliza el producto en un entorno autorizado por Tunturi New Fitness BV y se mantiene tal como se indica para el equipo concreto. Las instrucciones de mantenimiento y medioambientales aprobadas específicas del producto se indican en el "manual del usuario" del producto. El "manual de usuario" se puede descargar en nuestro sitio web. <http://manuals.tunturi.com>

Términos de la garantía

Los términos de la garantía comenzarán el día de la compra. Los términos de garantía pueden variar por país, así que consulte con su distribuidor local para ver cuáles son los términos de la garantía.

Cobertura de la garantía

Tunturi New Fitness BV o los distribuidores Tunturi no responderán en ninguna circunstancia a causa de esta garantía por los eventuales daños indirectos, secundarios, resultantes o especiales de ningún tipo derivados del uso o la imposibilidad de uso de este equipo.

Restricciones a la garantía

La garantía cubre los fallos debidos a la fabricación y los materiales en un equipo de ejercicio que esté en su ensambladura original. La garantía cubre solamente defectos que se manifiesten durante un uso normal, conforme a las instrucciones dadas en la guía suministrada con el equipo, a condición de que se hayan observado las instrucciones de montaje, mantenimiento y utilización proporcionadas por Tunturi. Tunturi New Fitness BV y los distribuidores Tunturi no pueden responder de fallos ocasionados por circunstancias ajenas a su control. La presente garantía sólo es válida para el comprador original del equipo de ejercicio y tiene vigencia solamente en los países en los que Tunturi New Fitness BV cuenta con un importador autorizado. La garantía no cubre los equipos de ejercicio o sus partes que hayan sido modificados sin el consentimiento previo de Tunturi New Fitness BV. La garantía no cubre fallos derivados del desgaste normal, de un uso indebido, de su uso en condiciones para las que el equipo no ha sido concebido, corrosión o daños sufridos durante la carga o el transporte.

La garantía no cubre los sonidos o ruidos emitidos durante el uso que no impidan de forma sustancial la utilización del equipo y que no estén provocados por un fallo del mismo

La garantía no cubre las actividades de mantenimiento tales como limpieza, lubricación o el ajuste normal de las piezas, ni los procedimientos de instalación que el cliente pueda realizar por sí mismo y que no requieran un desmontaje / montaje especial del equipo de ejercicio. Estos procedimientos son, por ejemplo, el cambio de contadores, pedales o de otras piezas simples similares. No se reembolsarán las reparaciones realizadas durante el periodo de garantía por agentes no autorizados por Tunturi. Si no se siguen adecuadamente las instrucciones dadas en el Manual del Propietario se invalidará la garantía del producto.

Datos técnicos

Parámetro	Unidad de medición	Valor
Tensión de red	VAC	210 ~ 240
Frecuencia de red	HZ	50 ~ 60
Velocidad	Km/H	1.0 ~ 10.0
Inclinación	Step	~
Longitud (plegada)	Cm	123.5 (27.5)
Anchura	Cm	61.0
Altura (plegada)	Cm	120.0 (127.0)
Peso	Kg	24.0
Medición de la frecuencia auditiva disponible a través de:	Contacto manual 5.0 Khz 5,3 KHz. Bluetooth (BLE) ANT +	No No No No No

Declaración del fabricante

Tunturi New Fitness BV declara que el producto es conforme con las siguientes normas y directivas: EN 957 (HC), 2014/30/EU. Por tanto, el producto dispone de marcado CE.

03-2022

Tunturi New Fitness BV
Purmerweg 1
1311 XE Almere
The Netherlands

Descargo de responsabilidad

© 2022 Tunturi New Fitness BV
Reservados todos los derechos.

- Tanto el producto como el manual están sujetos a modificaciones.
- Las modificaciones se pueden cambiar sin aviso.
- Consulte nuestra página web para descargar la versión del manual de usuario más reciente.

På svenska

Denna handbok är en översättning av den engelska texten. Vi förbehåller oss rätten till eventuella översättningsfel. Den engelska originaltexten råder.

Index

Välkommen	67
Säkerhetsvarningar	67
Elsäkerhet.....	68
Monteringsanvisningar	68
Beskrivning illustration A.....	68
Beskrivning illustration B.....	68
Beskrivning illustration C.....	68
Beskrivning illustration D.....	68
Ytterligare miljö- information	68
Träning	69
Övning Instruktioner.....	69
Hjärtfrekvens	69
Användning	69
Effektreglage.....	69
Vikning (bild F1 och F2).....	70
Säkerhetsnyckel (fig. F-3).....	70
Panelen (fig. E-1)	70
Knappar.....	70
Förklaring av skärmalternativ	71
Program	71
Quick start [Snabbstart].....	71
Avsluta ditt träningspass	71
Förinställda program (P0).....	71
Förinställda program (P1 ~ P12).....	71
Rengöring och underhåll	72
Allmän rengöring	72
Bandet och löpunderlaget	72
Smörjning (fig. F-5).....	72
Justera bältet	72
Störningar Vid Användning	73
Felkoder	73
Oil.....	73
Kod "----"	73
Transport och lagring	73
Garanti	74
Teknisk information	74
Försäkran från tillverkaren	74
Friskrivning	74

Välkommen

Välkommen till Tunturi Fitness värld!

Tack för att du köpte denna utrustning från Tunturi. Tunturi erbjuder ett stort utbud av professionell träningsutrustning, exempelvis crosstrainers, löpband, träningscyklar, roddmaskiner, styrka bänkar och flera stationer. Utrustning från Tunturi passar hela familjen, oavsett träningsnivå. Mer information finns på vår webbplats, www.tunturi.com

Viktiga instruktioner om säkerhet

Denna handbok är en viktig del av din träningsutrustning. Läs alla instruktioner i den här handboken innan du börjar använda denna utrustning. Följande försiktighetsåtgärder måste alltid följas:

Säkerhetsvarningar**⚠ VARNING**

- Läs säkerhetsvarningarna och instruktionerna. Om inte säkerhetsvarningarna och instruktionerna följs kan det medföra skador på personer eller utrustningen. Behåll säkerhetsvarningarna och instruktionerna för framtida bruk.

⚠ VARNING

- System för övervakning av hjärtfrekvensen är inte alltid exakta. Överträning kan medföra allvarlig skada eller död. Sluta omedelbart att träna om du känner dig svag.

- Utrustningen är endast anpassad för hemmabruk. Utrustningen är inte anpassad
- Maximal användning är begränsad till 2 timmar per dag.
- Om utrustningen används av barn eller personer med fysiska, sensoriska, mentala eller motoriska handikapp, eller som saknar erfarenhet och kunskap, kan detta medföra risker. Personer som är ansvariga för deras säkerhet måste ge tydliga instruktioner, eller övervaka användningen av utrustningen.
- Innan du påbörjar din träning, uppsök en läkare som kan kontrollera din hälsa.
- Om du upplever illamående, yrsel eller andra onormala symptom, avsluta genast din träning och kontakta en läkare.
- Börja varje träningspass med att värma upp och avsluta varje träningspass med nedvarning för att undvika muskelsmärter och sträckningar. Kom ihåg att stretcha i slutet av träningen.
- Utrustningen är endast anpassad för användning inomhus. Utrustningen är inte anpassad för användning utomhus.
- Använd endast utrustningen i miljöer med god ventilation. Använd inte utrustningen i dragiga miljöer för att undvika att bli förkyld.
- Använd endast utrustningen i miljöer med temperatur mellan 10 °C och 35 °C. Förvara endast utrustningen i miljöer med temperatur mellan 5 °C och 45 °C.
- Använd inte och förvara inte utrustningen i fuktig miljö. Luftfuktigheten får aldrig överstiga 80%.
- Använd endast utrustningen för dess avsedda ändamål. Använd inte utrustningen för andra ändamål än de som beskrivs i handboken.
- Använd inte den här utrustningen om någon del är trasig eller skadad. Om någon del är trasig eller skadad, kontakta din återförsäljare.
- Håll undan händer, fötter och andra kroppsdelar från de rörliga delarna.
- Håll undan håret från de rörliga delarna.
- Bär passande kläder och skor.

- Håll undan kläder, smycken och andra föremål från de rörliga delarna.
- Låt bara en person åt gången använda utrustningen. Utrustningen får inte användas av personer som väger mer än 100 kg (220 lbs).
- Öppna inte utrustningen utan att kontakta din återförsäljare.

Elsäkerhet

- Före användning, kontrollera alltid att nätspänningen är densamma som spänningen på utrustningens märkplåt.
- Använd inte en förlängningssladd.
- Håll strömkabeln borta från värme, olja och vassa kanter.
- Ändra inte strömkabeln eller kontakten.
- Använd inte utrustningen om strömkabeln eller kontakten är trasig eller skadad. Om strömkabeln eller kontakten är trasig eller skadad, kontakta din återförsäljare.
- Rulla alltid ut strömkabeln helt.
- Dra inte strömkabeln under utrustningen. Dra inte strömkabeln under en matta. Placera inte några föremål på strömkabeln.
- Kontrollera att strömkabeln inte hänger över en bordskant. Kontrollera att strömkabeln inte kan komma åt avsiktligt eller snubblas över.
- Lämna inte utrustningen obevakad med kontakten instoppad i vägguttaget.
- Dra inte i strömkabeln för att avlägsna kontakten från vägguttaget.
- Avlägsna stickkontakten från vägguttaget när utrustningen inte används, innan den monteras eller monteras isär och innan den rengörs eller underhålls.

VARNING

- Om strömspänningen fluktuerar med 10 procent (10%) eller mer, kan detta ha en negativ inverkan på löparbandets funktion. Om löparbandet används under sådana förhållanden upphör garantin att gälla. Om du misstänker att spänningen är för lång, kontakta din elleverantör eller en behörig elektriker för att utföra en kontroll.

VARNING

- Lagg sladden för strömanslutningen så att den inte kankomma i kontakt med löparbandets rörliga delar inklusive liftmekanismen och transporthjulen.

VARNING

- Använd aldrig vatten eller någon annan vätska direkt på eller i närheten av utrustningen, utan använd endast en fuktig trasa om du behöver rengöra maskinen med fukt.
- Att använda vätska direkt är skadligt för utrustningens komponenter och kan leda till en elstöt orsakad av en kortslutning. Detta kan leda till allvarlig personskada eller till och med dödsfall.

Jordningsföreskrifter

Den här produkten ska kopplas till ett jordat uttag. Om ett fel skulle uppstå i löparbandets elsystem skyddar jordningen mot elektrisk chock. Den här produkten levereras med en jordad sladd och stickpropp. Stickproppen ska anslutas till ett enligt korrekt jordat uttag som installerats enligt gällande regler och föreskrifter.

VARNING

- Fel i apparatens jordanslutningen innebär en ökad risk för elektrisk chock. Om du är osäker på anslutningen bör du kontakta en elektriker eller servicemontör för att kontrollera att apparaten är ordentligt jordad. Försök inte sätta i en stickpropp som inte passar i uttaget, anlita en elektriker för installation av passande vägguttag.

Monteringsanvisningar

Beskrivning illustration A

På illustrationen kan du se hur träningsredskapet ska se ut efter att monteringen har slutförts. Du kan använda illustrationen som referens under monteringen, men följ alltid stegen i monteringsinstruktionerna i rätt ordning.

Beskrivning illustration B

På illustrationen kan du se vilka komponenter och delar som du ska hitta när du packar upp produkten.

OBS!

- Små delar kan ligga gömda/vara nedpackade i ihåliga utrymmen i produktskyddet av polystyren.

Beskrivning illustration C

På illustrationen visas de monteringsdelar som följer med produkten. Monteringsdelarna omfattar bultar, brickor, skruvar, muttrar etc. och de verktyg du behöver för att kunna montera träningsredskapet korrekt.

Beskrivning illustration D

På illustrationerna visas i rätt ordning hur träningsredskapet ska monteras på bästa sätt.

OBS!

- Delnumren som visas vid monteringsinstruktionerna överensstämmer med den reservdelsritning som finns i onlineversionen av hela bruksanvisningen.

VARNING

- Montera utrustningen i angiven ordning.
- Var två om att bära och förflytta utrustningen.

OBS.

- Placera utrustningen på en stabil och jämn yta.
- Placera utrustningen på en skyddande grund för att förhindra att golvet skadas.
- Lämna åtminstone 100 cm fritt runt utrustningen.
- Illustrationerna visar det korrekta sättet att montera utrustningen.

ANMÄRKNING

- Spara verktygen som följer med denna produkt när monteringen är klar så att du kan använda dem för framtida servicearbeten.

Ytterligare miljö- information

Bortskaffande av förpackning

Riktlinjer från myndigheter uppmanar att vi minskar mängden avfall som placeras i deponier. Vi ber dig därför att bortskaffa allt förpackningsavfall på ett ansvarsfullt sätt på allmänna återvinningscentraler.

Bortskaffande av uttjänt redskap

Vi på Tunturi hoppas att du får många års trevlig användning av ditt träningsredskap. Men det kommer en tid när ditt träningsredskap är uttjänt. Enligt den europeiska WEEE-lagstiftningen, ansvarar du för korrekt bortskaffande av ditt träningsredskap på en allmän återvinningsanläggning.

Träning

Träningen måste vara lagom lätt, men hålla på länge. Aerobisk träning är till för att förbättra kroppens maximala syreupptag, vilket förbättrar uthålligheten och konditionen. Du ska svettas, men du ska inte bli andfådd under träningen. För att uppnå och behålla en grundkondition, träna åtminstone tre gånger i veckan, 30 minuter åt gången. Öka antalet träningspass för att förbättra din kondition. Det är bra att kombinera regelbunden träning med hälsosam kost. En person som har bestämt sig för att banta bör träna dagligen, 30 minuter eller mindre till en början och sedan öka den dagliga träningstiden till en timme. Börja din träning i låg hastighet och med lågt motstånd för att förhindra att hjärtkärlsystemet utsätts för kraftig belastning. När konditionen förbättras, kan hastigheten och motståndet ökas gradvis. Din tränings effektivitet kan mätas genom att kontrollera din hjärtfrekvens och din puls.

Övning Instruktioner

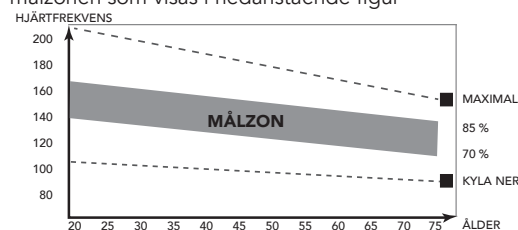
Användningen av ditt träningsredskap kommer att ge dig många fördelar; det kommer att förbättra din fysiska kondition, tona musklerna och tillsammans med en kalorikontrollerad diet hjälpa dig att gå ned i vikt.

Uppvärmningsfasen

Denna fas får blodet att börja pumpa runt i kroppen och förbereder musklerna på aktivitet. Den minskar även risken för kramp och muskelskada. Det är tillrådligt att göra några stretchövningar som visas nedan. Varje stretchövning ska hållas i ungefär 30 sekunder. Tvinga eller tryck inte in musklerna i en stretchövning. Om det gör ont, SLUTA

Träningsfasen

Detta är fasen där du jobbar. Efter regelbunden användning, kommer musklerna i dina ben att bli mer flexibla. I denna fas är det mycket viktigt att bibehålla ett jämnt tempo från början till slut. Ansträngningsnivån ska vara tillräcklig för att höja din puls till målzonen som visas i nedanstående figur



Denna fas bör pågå i minst 12 minuter, även om de flesta börjar med ungefär 15-20 minuter.

Nedvarningsfasen

Under denna fas får ditt kardiovaskulära system och dina muskler varva ned.

Den är en upprepning av uppvärmningsövningen, t.ex. minska ditt tempo, fortsätt i ca 5 minuter. Stretchövningarna ska nu upprepas. Kom ihåg att inte tvinga eller trycka in musklerna i stretchövningen. När du blir mer vältränad, kan du träna längre och hårdare. Vi rekommenderar att träna minst tre gånger i veckan, och, om möjligt, fördela dina träningsstillfällen jämnt under hela veckan.

Muskeltoning

För att tona musklerna när du använder träningsredskapet, måste du ställa in en ganska hög belastning. Detta belastar benmusklerna mer och kan innebära att du inte kan träna så länge som du vill. Om du även försöker förbättra din kondition, måste du ändra ditt träningsprogram. Du bör träna som vanligt under uppvärmnings- och nedvarningsfaserna, men mot slutet av träningsfasen kan du öka belastningen så att dina ben får jobba hårdare. Du måste minska hastigheten för att hålla pulsen i målzonen.

Viktminskning

Den viktigaste faktorn här är hur mycket du anstränger dig. Ju hårdare och längre du tränar, desto fler kalorier bränner du. Detta är i princip detsamma som om du tränade för att förbättra din kondition, skillnaden är målet.

Hjärtfrekvens

ANMÄRKNING

- Denna tränare kommer inte med en inbyggd hjärtfrekvensmätare. När du vill övervaka din puls måste du använda en extra enhet.

Maximal hjärtfrekvens (under träning)

Den maximala hjärtfrekvensen är den högsta hjärtfrekvens en person säkert kan få vid träning. Följande formel används för att beräkna den genomsnittliga maximala hjärtfrekvensen: $220 - \text{ÅLDER}$. Den maximala hjärtfrekvensen varierar från person till person.

VARNING

- Kontrollera att du inte överskrider din maximala hjärtfrekvensen under din träning. Kontakta en läkare om du tillhör en riskgrupp.

Nybörjarnivå

50-60% av den maximala hjärtfrekvensen

Passar nybörjare, viktväktare, konvalescenter och personer som inte har tränat på länge. Träna åtminstone tre gånger i veckan, 30 minuter åt gången.

Avanceradnivå

60-70% av den maximala hjärtfrekvensen

Passar personer som vill förbättra och underhålla konditionen. Träna åtminstone tre gånger i veckan, 30 minuter åt gången.

Expert

70-80% av den maximala hjärtfrekvensen

Passar de mest vältränade, som är vana vid långa och tunga träningspass.

Användning

Effektreglage

Huvudströmbrytare (fig. E-A)

Utrustningen är utrustad med en huvudströmbrytare för att helt stänga av utrustningen.

Starta utrustningen:

- Anslut stickkontakten till vägguttaget.
- Sätt huvudströmbrytaren i läge "på" (ON).

Stoppa utrustningen:

- Sätt huvudströmbrytaren i läge "av" (OFF).
- Avlägsna stickkontakten från vägguttaget.

Brytare (fig. E-B)

Utrustningen är utrustad med en brytare som bryter strömmen när den elektriska belastningen överstiger den maximala kapaciteten. När detta inträffar måste brytaren tryckas in.

⚠ VARNING

- Innan du trycker på brytaren, avlägsna stickkontakten från utrustningen.

Om utrustningen stängs av, gör följande för att starta om utrustningen:

- Avlägsna stickkontakten från utrustningen.
- Tryck på brytaren för att starta om utrustningen.
- Anslut stickkontakten till utrustningen.

⚠ ANMÄRKNING

- Vissa krets brytare som används i hushåll är inte lämpade för höga spänningstoppar, vilka kan förekomma när man slår på löparbandet och även vid normal användning. Om löparband gör att säkringen går hemma hos dig (trots att rätt spänning används och löparbandet är den enda apparaten i gruppen) och löparbandets säkring inte bryter, måste du byta ut säkringen till en typ som klarar större spänningstoppar. Detta är inte en defekt som täcks av garantin. Detta är ett förhållande som tillverkaren inte kan råda över.

Vikning (bild F1 och F2)

Fälla upp

Utrustningen kan fällas ihop för att spara plats för din bekvämlighet.

- Strömbrytaren är i läget Off (Av) – vrid strömbrytaren till läget On (På).
- Dra ut elkontakten ur vägguttaget.
- Lossa vredet (7) på träningsmaskinens nedre (LH) sida och ta bort den från ramen.
- Fäll upp löpdelen försiktigt så att den upprättstående ramen inte faller omkull. (Håll fixeringsvredet (7) i handen)
Undvik att klämma fast elkabeln när du viker upp den.
- Montera fixeringsvredet (7) halvvägs ner i det upprättstående (LH) röret och fäst den i fixeringshålet på löpdelen ordentligt.
Släpp inte löpdelen innan den är helt fixerat igen eftersom den kan falla av misstag om den inte är fixerad ordentligt.
- Förvara elkabeln på en plats där den inte riskerar att skadas, klämmas eller utgör en snubbelrisk.

Fälla ner

- Lossa fixeringsvredet (7) halvvägs ner i det (LH) upprättstående röret samtidigt som du stöder löpdäcket och plockar bort den från ramen.
- Fäll ner löpdelen och stöd den hela vägen ner.
Undvik att elkabeln kläms fast när du fäller ut den.
- Sätt fast fixeringsvredet på den nedre (LH) sidan av träningsmaskinen och fäst den ordentligt.

Se illustrationerna för att se hur utrustningen fälls ut och fälls ihop på rätt sätt.

Säkerhetsnyckel (fig. F-3)

Utrustningen är utrustad med en säkerhetsnyckel som måste vara korrekt införd i panelen för att starta utrustningen. Om du avlägsnar säkerhetsnyckeln ur panelen, stoppas utrustningen omedelbart.

- Stoppa in säkerhetsnyckeln i öppningen i panelen.
- Kontrollera att säkerhetsnyckelns klämma sitter fast ordentligt i dina kläder. Kontrollera att säkerhetsnyckelns inte avlägsnas från dina kläder innan säkerhetsnyckeln avlägsnas ur panelen.

⚠ ANMÄRKNING

- Konsolen visar " - - - -" kod när säkerhetsnyckeln inte är på plats under start.

Panelen (fig. E-1)

⚠ OBS

- Skydda panelen från direkt solljus.
- Torka av panelens yta när den är täckt av svett droppar.
- Luta dig inte mot panelen.
- Vidrör endast displayen med din fingertopp. Var noga med att inte dina naglar eller vassa föremål vidrör displayen.

⚠ ANMÄRKNING

- Panelen övergår till viloläge när utrustningen inte har använts på 10 minuter.

Knappar

Mode [Läge]

- Välj programläge (P0–P12)
- Bekräfta inställningen för att gå vidare till nästa steg i programmeringsläget.

Set [Ställ in]

- Ställ in målen för träningspasset i programmeringsläget.

Start/Stop [Starta/stoppa]

- Starta det valda träningspasset efter 5 sekunders nedräkning från stoppläge.
- När du är i träningsläge saktar träningsenheten ned gradvis och stannar.

Enkel uppåtpil (+ 0,1)

- Ökar hastigheten med 0.1 km/h i taget.
 - Håll intryckt i två sekunder för att öka hastigheten snabbare.
 - Ökar målvärdena när du är i programmeringsläge.
- | | |
|----------|--------------|
| Sträcka | + 0,1 km |
| Kalorier | + 1,0 kcal |
| Tid | + 1,0 minut. |

Dubbel uppåtpil (+ 1,0)

- Ökar hastigheten med 1,0 km/h i taget.
 - Håll intryckt i två sekunder för att öka hastigheten snabbare.
 - Ökar målvärdena när du är i programmeringsläge.
 - Ökar målvärdena när du är i programmeringsläge.
- | | |
|----------|---------------|
| Sträcka | + 1,0 km |
| Kalorier | + 10 kcal |
| Tid | + 10 minuter. |

Enkel nedåtpil (- 0,1)

- Minskar hastigheten med 0,1 km/h i taget.
 - Håll intryckt i två sekunder för att minska hastigheten snabbare.
 - Minskar målvärdena när du är i programmeringsläge.
- | | |
|----------|--------------|
| Sträcka | - 0,1 km |
| Kalorier | - 1,0 kcal |
| Tid | - 1,0 minut. |

Dubbel nedåtpil (- 1,0)

- Minskar hastigheten med 1,0 km/h i taget.
- Håll intryckt i två sekunder för att minska hastigheten snabbare.
- Minskar målvärdena när du är i programmeringsläge.

Sträcka	- 1,0 km
Kalorier	- 10 k/Cal
Tid	- 10 minuter.

⚠ OBS

- Hastighetsknapparna fungerar endast i träningsläget P0.

Förklaring av skärmlalternativ**Speed [Hastighet]**

- Visar programval när du är i programmeringsläge.
- Visar en 5 sekunders nedräkning när du trycker på startknappen.
- Visar löpbandets faktiska hastighet i träningsläge.
Visningsintervall: 1,0–10,0 km/h \pm 0,1 km/h

Time [Tid]

- Visar löptid i träningsläget.
- Visar återstående tid om du är i träningsläge och har ställt in en måltid för träningspasset.
- Visar måltiden när du är i programmeringsläge.
Visningsintervall: 00:01–99:99

Distance [Sträcka]

- Visar tillryggalagd löpsträcka i träningsläget.
- Visar återstående sträcka om du är i träningsläge och har ställt in en målsträcka för träningspasset.
- Visar målsträckan när du är i programmeringsläge.
- Visningsintervall: 0,0–99,9 km \pm 0,1 km

Calories [Kalorier]

- Visar förbrukade kalorier i träningsläget.
- Visar återstående kalorier om du är i träningsläge och har ställt in ett mål för antal kalorier under träningspasset.
- Visar målet för kalorier när du är i programmeringsläge.
- Visningsintervall: 0–999 kcal.

Lampan för kalorier lyser när kalorier visas.

⚠ OBS

- Dessa data är en grov vägledning för att jämföra olika träningspass och kan inte användas för medicinsk behandling.

⚠ OBS

- Visningen växlar mellan sträcka och kalorier var 5:e sekund.
- Använd knappen SET för att frysa visningen.
- Använd knappen SET för att växla manuellt mellan sträcka och kalorier.
Använd knappen MODE för att starta eller börja växla visningen igen vid fryst läge.

Program**Quick start [Snabbstart]**

- Tryck på Start/Stop-knappen för att starta ditt träningspass utan några förinställda inställningar.
- Löpbandet startar på lägsta hastighet, 1,0 km/h.
- Justera hastigheten manuellt när som helst för att ändra ditt träningspass.

Avsluta ditt träningspass

- Tryck på Start/Stopp-knappen för att stoppa träningen och återställa panelen.
- Tryck och håll in knappen STOP för att stoppa träningen och återställa panelen.

Förinställda program (P0)

Tryck på knappen Mode i stoppläge för att växla mellan programlägena. Välj P0 för att välja det manuella programmet.

Om du inte vill sätta ett mål trycker du direkt på knappen Start/stop och löpbandet startar träningen utan någon målinställning. Alla värden på displayen räknas uppåt och löpbandet stannar inte förrän du trycker på knappen Start/stop. I läget P0 styrs hastigheten hela tiden av användaren under träningspasset.

Om du vill kan du ställa in ett mål för: Tid, kalorier eller sträcka.

Ställa in tidsmål för träningspasset

- Tryck en gång på knappen Set för att öppna målprogrammeringsläget när du har valt P0 i programvalsläge.
- I fönstret Time [Tid] visas 30:00 blinkande som förvalt inställningsvärde för måltid i minuter.
- Tryck på den dubbla uppåt-/nedåtpilen för att ändra måltiden enligt önskemål.
Målintervall: 5:00–99:00 \pm 1:00 minuter.
- Tryck på knappen Start/Stop för att starta ditt träningspass.

Ställa in distansmål för träningspasset

- Tryck två gånger på knappen Set för att öppna målprogrammeringsläget när du har valt P0 i programvalsläge.
- I fönstret Distance [Sträcka] visas 1:00 blinkande som förvalt inställningsvärde för måldistans i kilometer.
- Tryck på den dubbla uppåt-/nedåtpilen för att ändra måldistansen enligt önskemål.
Målintervall: 0,5–99,9 \pm 0,1
- Tryck på knappen Start/Stop för att starta ditt träningspass.

Ställa in kalorimål för träningspasset

- Tryck tre gånger på knappen Set för att öppna målprogrammeringsläget när du har valt P0 i programvalsläge.
- I fönstret Calories [Kalorier] visas 50 blinkande som förvalt inställningsvärde för målet i kalorier.
- Tryck på den dubbla uppåt-/nedåtpilen för att ändra antal kalorier enligt önskemål.
Målintervall: 10–999 kcal.
- Tryck på knappen Start/Stop för att starta ditt träningspass.

Förinställda program (P1 ~ P12)

I de förinställda programmen är hastigheten fast. Därför kan du inte ställa in sträcka eller kalorier som mål, eftersom dessa är direkt relaterade till träningsstiden.

Träningsstiden kan dock ställas in som mål.

Målintervall: 5:00–99:00 \pm 1:00 minuter

- Tryck på knappen Mode i stoppläge för att växla mellan programlägena. Välj ett förinställt program genom att välja något av programmen P1 till P12.
Du behöver inte bekräfta det valda programmet.
- I fönstret Time [Tid] visas 30:00 blinkande som förvalt inställningsvärde för måltid i minuter.

- Tryck på den dubbla uppåt-/nedåtpilen för att ändra måltiden enligt önskemål.
Målintervall: 5:00–99:00 ± 1:00 minuter
- Tryck på knappen Start/Stop för att starta ditt träningspass.

⚠ OBS

- De olika programprofilerna illustreras i figur G.
- Varje förprogrammerad profil är indelad i 20 avsnitt, där varje del representerar 1/20 av den förinställda måltiden.

Du kan återställa displayen med knappen Set.

Rengöring och underhåll

⚠ VARNING

- Din utrustning kräver månatligt underhåll, även när den inte används.
 - Innan rengöring och underhåll, avlägsna stickkontakten från vägguttaget.
 - Använd inte lösningsmedel för att rengöra utrustningen.
- Blockera inte ventilationsöppningarna. Håll ventilationsöppningarna rena från damm, smuts och andra hinder.
 - Rengör utrustningen med en mjuk och absorberande trasa efter varje användning.
 - Rengör synliga delar av utrustningen med en dammsugare med ett litet sugmunstycke.
 - Kontrollera regelbundet att alla skruvar och muttrar är åtdragna.

⚠ VARNING

- Vi rekommenderar att du endast använder inomhusskor på ditt löpband. Om du inte har inomhusskor rekommenderar vi att du kontrollerar sulorna på dina skor innan du använder dem på löpbandet och ser till att de är rena, eftersom löpbandet inte är gjort för smuts och partiklar som kan finnas utomhus.

Allmän rengöring

Smuts, damm och hår från husdjur kan med tiden blockera ventilationsöppningarna på löparbandet. Månatlig rengöring: dammsug under löparbandet.
KOPPLA ALLTID UR STICKPROPPEN INNAN DU GÖR NÅGOT AV DETTA.

Banddamm

Detta uppstår i början och är normalt under inkörningsperioden. Torka bort synligt damm med en fuktig trasa

Bandet och löpunderlaget

Ditt löpband har en högeffektiv lågfrikionsbädd. Löpbandets prestanda maximeras när löpardäcket hålls rent och fritt från damm och smuts. Smuts och dammpartiklar mellan löpardäck och löpband kommer att skada din löpardäcks yta och påverkar prestandan och produktivslängden.

Hur man rengör löpardäcket

Använd en mjuk, torr trasa för att torka av bältets kant och området mellan bältets kant och ram. Försök att nå under löpbandets kanter också, för att ta bort smuts som samlats längs kanterna.

Hur man rengör löpbältets yta

Använd först en skurborste i nylon för att ta bort de lösa partiklarna från löpbandets yta. Använd sedan en urvriden fuktig trasa (ej rengöringsmedel eller slipmedel) för att försiktigt rengöra toppen av det mönstrade bältet. Låt bältet torka helt innan du använder det.

⚠ OBS

- Om bältet blir för smutsigt för att rengöras med vatten kan du använda en mild tvål, men använd aldrig lösningsmedel.
- Förhindra under alla omständigheter att lösningen sipprar ned mellan löpardäck och löpband.

Detta bör göras regelbundet för att förlänga bältets och löpardäckets livslängd.

Smörjning (fig. F-5)

⚠ OBS

- Löpbandets löpband är försmörjt innan det monteras på löpbandet under tillverkningen av enheten. Man behöver därför inte smörja löpbandet när det tas i bruk för första gången.

Löpbandet måste inspekteras regelbundet för smörjning. Löpbandet har därför en påminnelsefunktion på 300 km. "TIME WINDOW" [TIDSFÖNSTRET] visar "OIL" [SMÖRJ] och ett pip ljud hörs var 10:e sekund för att påminna dig. Följ nedanstående inspektionsprocedur och eliminera meddelandet "OIL" [SMÖRJ] och ljudvarningssignalen genom att trycka på knappen "MODE" i minst 3 sekunder när varningssignalen ljuder.

⚠ VARNING

- Innan smörjning, avlägsna stickkontakten från vägguttaget.

⚠ OBS.

- Vi rekommenderar att du kontrollerar löpbandets smörjning minst en gång i månaden, eftersom fler faktorer än tiden kan vara relevanta för smörjmedelsförhållandena.
- Smörj bara löpmattan vid behov. Om du använder för mycket smörjmedel, kommer löpmattan att slira på grund av för lite friktion.

- Stå stabilt på löpmattan.
- Håll i det främre handtaget och använd dina fötter för att trycka löpmattan så att den glider fram och tillbaka. Löpmattan måste röra sig jämnt och ljudlöst.
- Om löpmattan inte rör sig jämnt, eller om det inte rör sig alls, vidrör undersidan av löpmattan med dina fingertoppar och undersök smörjningen:
 - Om du känner smörjmedel eller om dina fingertoppar är blanka finns det tillräckligt med smörjmedel på löpmattan.
 - Om du inte känner något smörjmedel, eller om dina fingertoppar är dammiga, applicera smörjmedel (±10 ml.) i mitten av löpbrädan under löpmattan och låt utrustningen vara igång i 5 km/h under minst fem minuter.
 - Efter smörjning, fäll inte ihop utrustningen innan du har tränat i 2 minuter med en hastighet på minst 5 km/h. Detta gör att smörjmedlet absorberas helt av löpremnen och sprids jämnt.

⚠ OBS

- Om 5 km/h är för snabbt för dig, gå i önskad takt, men utöka till minst 5 minuter.



Klicka för att se vår stödjande YouTube-video
<https://youtu.be/ceaOYnofY5k>

Justera bältet

Öparbandets prestanda är beroende på den yta som ramen står på. Om golvet inte är plant kan rullarna fram och bak inte löpa parallellt och ständig justering kan behövas.

Löparbandet har designats för att hålla bandet i mitten under användningen. Det är normalt att ett band kan dras åt ena sidan när det inte belastas. Efter några minuters användning ska bandet dock dras mot mitten igen. Om bandet istället fortsätter att dra åt ena hållet under användningen måste det justeras.

UNDANTAG:

Vid rehabilitering och användaren har större styrka i det ena benet, då kan det hända att bandet dras åt ena sidan. Under sådana omständigheter ska du inte justera då bandet återställer sig vid jämn belastning.

Justera bandspårningen

Denna justering görs genom att den bakre rullen. Ställskruvarna är placerade vid ändarna av ändkåporna.

- Spänn de bakre bandrulleuttrarna (medurs) bara så att bandet inte slirar på frontrullen. Vrid båda spännbultar lika mycket i steg om 1/4 varv åt gången och testa spänningen genom att gå på bandet vid en mycket låg hastighet för att kontrollera att bandet inte slirar på rullarna. Fortsätt justera tills bandet inte slirar längre.
- Om bandet är tillräckligt spänt men fortfarande slirar kan detta bero på en löst motorrem under fronthöljet..
- Spänn inte för hårt: Om du spänner bandet för hårt kan det ta skada både bandet och lagren.



Klicka för att se vår stödande YouTube-video
https://youtu.be/pp4_4bL1MXo

Centrera löpremmen (fig. F-4)

Centrering av löpbältet behövs när ditt löpbälte inte löper i mitten av din löpyta. Detta syns tydligt när gapet mellan sidostycket och löpbälte är betydligt större på ena sidan jämfört med den andra sidan.

Detta kan orsakas av (följande):

ORSAK 1

Ena ben trycker ifrån med mer kraft i push-off under ditt träningspass. Detta gör att bältet skjuts åt sidan, men korrigeras automatiskt när löpremmen får löpa olastad i några minuter.

ORSAK 2

Löpbandet ligger inte vågrätt horisontellt, där tyngdkraften drar löpbandet långsamt till den lägsta änden av löpbandet. Detta måste åtgärdas genom att ställa löpbandet i rätt nivå eftersom det inte kan lösas med någon annan justering.

ORSAK 3

Löpbandet är inte korrekt centrerat mellan främre och bakre valstrumman. Detta måste korrigeras genom att justera löpbältets spårning enligt beskrivningen nedan.

För att justera löpbältets spårning, använd insexnyckeln som medföljer ditt löpband.

- Ställ in ditt löpband på en hastighet av ± 5 km/h, utan att springa på det.
- När löpbältet drar åt höger.
Vrid den vänstra bakre valsens justeringsratt, som sitter på den bakre änden i ett uttag i det bakre valsskyddet, moturs i 1/4 varv.
- När löpbältet drar åt vänster.
Vrid den högra bakre rulljusteringen, som sitter på den bakre änden i ett uttag i den bakre rullkåpan, moturs i 1/4 varv.
- Vänta ± 2 minuter för att ge löpremmen tid att svara på justeringen innan du upprepar justeringsstegen vid behov.

! OBS

- Kom ihåg att en liten justering kan göra stor skillnad, så justera med små steg åt gången.



Klicka för att se vår stödande YouTube-video
<https://youtu.be/qx5AvT00J4>

Regelbunden justering av bandspårningen kan krävas beroende på användning och kraftfördelning under träningen. Olika användare kan påverka spårningen olika. Det är normalt att behöva justera bandspårningen då och då. Efter ett tag krävs mindre justering. Rätt bandspårning är ägarens ansvar och är en normal justering som behövs göras regelbundet på alla löparband.

! ANMÄRKNING

- Skada som uppstått till följd av fel bandspårning / spänning, täcks inte av garantin.

Störningar Vid Användning

Trots kontinuerlig kvalitetskontroll kan fel eller funktionsstörningar som beror på någon enskild komponent förekomma. Därför är det onödigt att hela redskapet skickas på reparation, eftersom det för det mesta räcker med att aktuell komponent byts.

Kontakta genast din försäljare om du upptäcker fel eller brister när du använder ditt redskap eller om du behöver reservdelar. Uppge alltid redskapets modell och serienummer. Beskriv problemet, hur redskapet använts, och uppge inköpsdagen.

Behöver du reservdelar, uppge också numret på reservdelar; du hittar en lista på reservdelar i slutet på den här handboken. Till apparaten är endast delar från reservdelslistan användas.

Felkoder

Om displayen visar en felkod ("E" + siffra), starta om utrustningen och kontrollera om displayen fortfarande visar felkoden. Om displayen fortfarande visar felkoden, kontakta omedelbart återförsäljaren.

Oil

OIL är inte en felkod, se "Smörjning"

Kod "-- -- --"

Konsolen visar "-- -- --"-kod när säkerhetsnyckeln inte är på plats under start.

"-- -- --" är inte en felkod, se "Säkerhetsnyckel"

Transport och lagring

! VARNING

- Innan rengöring och underhåll, avlägsna stickkontakten från vägguttaget.
- Var två om att bära och förflytta utrustningen.
- Kontrollera att det inte finns några andra personer eller föremål under utrustningen.
- När utrustningen fälls ihop, kontrollera att utrustningen blir fastlåst för att förhindra att den faller tillbaka ner.

⚠ OBS.

- Bär inte apparaten i sladden och använd inte strömsladden som handtag.
- Förflytta utrustningen som på bilden (fig. F3). Förflytta utrustningen och sätt ner den försiktigt. Placera utrustningen på en skyddande grund för att förhindra att golvet skadas. Förflytta utrustningen försiktigt över ojämna ytor. Förflytta inte utrustningen till övervåningen med hjulen, utan bär utrustningen med handtagen.
- Förvara utrustningen upprätt (fig. F1). Förvara utrustningen på en torr plats med så liten temperaturvariation som möjligt.

Garanti

Tunturis ágargarantitunt

Garantivillkor

Konsumenten har rätt till tillämpliga lagliga rättigheter som anges i den nationella lagstiftningen om handel med konsumentvaror. Denna garanti begränsar inte dessa rättigheter. Köparens garanti är endast giltig om produkten används i en miljö som är godkänd av Tunturi New Fitness BV och underhålls enligt instruktionerna för den specifika utrustningen. Den produktspecifika godkända miljön och underhållsinstruktionerna anges i produktens "användarhandbok". "Användarhandboken" kan laddas ned från vår webbplats. <http://manuals.tunturi.com>

Garantivillkor

Garantivillkoren börjar att gälla från inköpsdatumet. Garantivillkoren kan variera mellan olika länder. Kontakta en lokal återförsäljare om garantivillkoren.

Garantins omfattning

Oavsett omständigheter, ansvarar inte Tunturi New Fitness BV eller Tunturis återförsäljare för uppkomna personskador som påverkar köparen, och som innebär inkomstförlust eller andra ekonomiska följdverkningar.

Gegränsningar i garantin

Garantin gäller för arbets- och materialfel, förutsatt att redskapet är i originalmonterat skick. Garantin gäller endast fel som uppstår vid normalt bruk och då den använts enligt Tunturis instruktioner gällande montering, skötsel och användning. Tunturi New Fitness BV och Tunturis återförsäljare ansvarar ej för fel som uppkommer utanför deras kontroll.

Garantin gäller endast redskapets ursprungliga ägare och är gällande endast i de länder där det finns en godkänd Tunturi New Fitness BV återförsäljare.

Garantin gäller ej för redskap eller delar som har ändrats utan Tunturi New Fitness BV:s godkännande. Garantin gäller ej för fel som beror på normalt slitage, felaktig användning, användning i förhållanden som inte är avsett för redskapet, korrosion eller lastnings- och transportskador.

Garantin täcker inte ljud som uppstår under användning såvida dessa inte väsentligt hindrar utrustningens användning eller har orsakas av ett fel i utrustningen.

Garantin gäller inte för underhållsarbete, som rengöring, smörjning eller normal kontroll av komponenterna och inte heller för monteringsarbete som kunden själv kan göra och som inte kräver att redskapet plockas isär/sätts ihop. Det gäller till exempel byte av mätare, trampor eller andra motsvarande enkla delar. Garantireparationer utförda av andra än en godkänd Tunturi-representant, ersätts inte. Ifall instruktionerna i manualen inte följs upphävs produktens garanti.

Teknisk information

Parameter	Måttenhet	Värde
Nätspänning	VAC	210 ~ 240
Nätfrekvens	HZ	50 ~ 60
Hastighet	Km/H	1.0 ~ 10.0
Lutning	Step	~
Längd (ihopvikt)	Cm	123.5 (27.5)
Bredd	Cm	61.0
Höjd (ihopvikt)	Cm	120.0 (127.0)
Vikt	Kg	24.0
Hjärtfrekvensmätning tillgänglig via:	Handgrepps kontakt 5.0 Khz 5,3 kHz. Bluetooth (BLE) ANT+	Nej Nej Nej Nej Nej

Försäkran från tillverkaren

Tunturi New Fitness BV försäkrar att produkten uppfyller följande standarder och direktiv:
EN 957 (HC), 2014/30/EU. Produkten är därför CE-märkt.

03-2022

Tunturi New Fitness BV
Purmerweg 1
1311 XE Almere
Nederländerna

Friskrivning

© 2022 Tunturi New Fitness BV
Alla rättigheter förbehållna.

- Produkten och handboken kan komma att ändras.
- Specifikationer kan ändras utan förvarning.
- På vår webbplats finns den senaste bruksanvisningen.

Suomeksi

Tämä suomennettu käyttöohje on käännetty Englannin kielestä. Pidätämme oikeudet mahdollisiin käännösvirheisiin. Käännös tehty virallisen, englanninkielisen version pohjalta.

Sisältö

Tervetuloa.....	75
Turvallisuusvaroitukset	75
Sähköturvallisuus	76
Kokoamisohjeet.....	76
Kuvan A kuvaus	76
Kuvan B kuvaus	76
Kuvan C kuvaus	76
Kuvan D kuvaus	76
Lisätietoja ympäristöstä.....	76
Harjoitukset.....	76
Ohjeita harjoittelua varten	77
Syke.....	77
Käyttö.....	77
Virranhallinta	77
Taittaminen (kuvat F1 ja F2).....	78
Turvallisuusavain (kuva F-3)	78
Ohjauspaneeli (kuva. E-1)	78
Painikkeet.....	78
Näytön kohtien selitykset.....	78
Ohjelmat	79
Pika-aloitus	79
Lopeta harjoituksesi	79
Valmisohjelmat (P0)	79
Valmisohjelma (P1 ~ P12).....	79
Puhdistus ja huolto	79
Peruspuhdistus.....	80
Matto ja juoksualusta	80
Voitelu (kuva F-5).....	80
Maton säädöt.....	80
Käyttöhäiriöt	81
Virhekoodit.....	81
Oil.....	81
Koodi "----"	81
Kuljetus ja säilytys	81
Takuu	82
Tekniset tiedot.....	82
Valmistajan vakuutus	82
Vastuuvapauslauseke.....	82

Tervetuloa

Tervetuloa Tunturi Fitness -maailmaan!

Kiitämme sinua tämän Tunturi-laitteen ostosta. Tunturi tarjoaa laajan valikoiman ammattimaisia kuntoilulaitteita, mukaan lukien crosstrainerit, juoksumatot, kuntopyörät, soutilaitteet, voimapenkit ja moniasemat.

Tunturi-laite sopii koko perheelle kuntotasosta riippumatta. Katso lisätiedot verkkosivuiltamme www.tunturi.com

Tärkeitä turvallisuusohjeita

Tämä opas on olennainen osa kuntolaitettasi. Perehdy ohjeisiin huolellisesti ennen kuin alat käyttää kuntolaitettasi. Noudata aina seuraavia varotoimia:

Turvallisuusvaroitukset**⚠ VAROITUS**

- Lue turvallisuusvaroitukset ja -ohjeet. Turvallisuusvaroitusten ja -ohjeiden jättäminen noudattamatta voi aiheuttaa henkilön loukkaantumisen tai laitevaurion. Säilytä turvallisuusvaroitukset ja -ohjeet myöhempää käyttöä varten.

⚠ VAROITUS

- Sykkeenvältojärjestelmät saattavat olla epätarkkoja. Liiallinen harjoittelu saattaa aiheuttaa vakavia vammoja tai kuoleman. Jos tunnet olosi heikoksi, lopeta harjoittelu heti.

- Laite on sopiva vain kotikäyttöön. Laite ei ole sopiva kaupalliseen käyttöön.
- Enimmäiskäyttö on rajoitettu 2 tuntiin päivässä
- Tämän laitteen käyttö lasten tai fyysisesti, aistillisesti, henkisesti, tai liikunnallisesti rajoittuneiden, tai kokemukseltaan ja tiedoiltaan puutteellisten henkilöiden toimesta voi aiheuttaa vaaratilanteita. Heidän turvallisuudestaan vastuussa olevien henkilöiden on annettava selkeät ja tarkat ohjeet laitteen käytöstä ja valvottava laitteen käyttöä.
- Ennen harjoituksen aloittamista ota yhteys lääkäriin terveystarkastusta varten.
- Jos sinulla on pahoinvointia, huimausta, tai muita epätavallisia oireita, lopeta välittömästi harjoitus ja ota yhteys lääkäriin.
- Vältä lihaskipuja ja venähdyksiä aloittamalla jokainen harjoitus lämmittelyjaksolla ja päätä jokainen harjoitus jäähdyttelyjaksolla. Muista venytellä harjoittelun lopuksi.
- Laite on sopiva vain sisäkäyttöön. Laite ei ole sopiva ulkokäyttöön.
- Käytä laitetta riittävällä tuuletuksella varustetuissa tiloissa. Älä käytä laitetta vetoisissa tiloissa välttääksesi kylmettymisen.
- Käytä laitetta vain ympäristölämpötilassa 10 °C - 35 °C. Säilytä laitetta vain ympäristölämpötilassa 5 °C - 45 °C.
- Älä käytä tai säilytä laitetta kosteissa tiloissa. Ilmankosteus ei saa koskaan olla yli 80 %.
- Käytä laitetta vain sen aiottuun tarkoitukseen. Älä käytä laitetta muihin, kuin tässä käyttöoppaassa esitettyihin tarkoituksiin.
- Älä käytä laitetta, jos sen jokin osa on vaurioitunut tai viallinen. Jos osa on vaurioitunut tai viallinen, ota yhteys jälleenmyyjään.
- Pidä kätesi, jalkasi ja kehon muut osat pois liikkuvista osista.
- Pidä hiuksesi pois liikkuvista osista.
- Käytä asianmukaista vaatetusta ja kenkiä.
- Pidä vaatteet, korut ja muut esineet pois liikkuvista osista.
- Varmista, että vain yksi henkilö kerrallaan käyttää laitetta. Yli 100 kg (220 lbs) ainava henkilö ei saa käyttää laitetta.
- Älä avaa laitetta ilman yhteydenottoa jälleenmyyjäsi.

Sähköturvallisuus

- Varmista aina ennen käyttöä, että sähkölähteen jännite on sama kuin laitekilvessä ilmoitettu laitteen nimellijännite.
- Älä käytä jatkojohtoa.
- Pidä virtajohto pois kuumasta, öljystä ja terävistä kulumista.
- Älä tee muutoksia virtajohtoon tai pistokkeeseen.
- Älä käytä laitetta, jos virtajohto tai virtajohdon pistoke on vaurioitunut tai viallinen. Jos virtajohto tai virtajohdon pistoke on vaurioitunut tai viallinen, ota yhteys jälleenmyyjääsi.
- Suorista aina virtajohto täysin.
- Älä vie virtajohtoa laitteen alitse. Älä laita virtajohtoa maton alle. Älä laita virtajohdon päälle mitään esineitä.
- Varmista, ettei virtajohto roiku pöydän kulman yli. Varmista, ettei virtajohtoon voi vahingossa tarttua kiinni tai kompastua.
- Älä jätä laitetta ilman valvontaa virtajohdon ollessa liitettyinä pistorasiaan.
- Älä vedä pistoketta irti pistorasiasta virtajohdosta vetämällä.
- Irrota pistoke pistorasiasta, kun laite ei ole käytössä, ennen asennusta tai purkamista ja ennen puhdistusta sekä huoltoa.

VAROITUS

- Jos virtalähteen jännitevaihtelu on 10 % tai enemmän, se voi vaikuttaa kielteisesti juoksumaton toimintaan. Sellaiset olosuhteet eivät kuulu takuun piiriin. Jos epäilet, että jännite on alhainen, ota yhteyttä energiayhtiöosi tai valtuutettuun sähkömieheen asian tarkistamiseksi.

VAROITUS

- Sijoita verkkojohto riittävän etäälle juoksumaton liikkuvista osista, kaltevuusmekanismi ja siirtopyörät mukaan lukien.

VAROITUS

- Älä koskaan käytä vettä tai mitään muuta nestettä suoraan laitteen päällä tai lähellä. Jos laitteen puhdistamiseen tarvitaan nestettä, käytä kosteaa liinaa.
- Nesteen käyttäminen suoraan laitteessa on haitallista laitteiden osille, ja tästä syntyvä oikosulku voi aiheuttaa sähköiskun. Seurauksena voi olla vakava vamma tai jopa kuolema.

Maadoitusohjeet

Tämä laite on liitettävä maadoitettuun pistorasiaan. Jos juoksumaton sähköjärjestelmään sattuisi tulemaan häiriöitä tai vikaa, maadoitus vähentää sähköiskun vaaraa tarjoamalla sähkövirralle vähiten vastusta sisältävän polun. Juoksumaton verkkojohdossa on maadoitettu pistoke. Pistoke on liitettävä asianmukaiseen seinäpistorasiaan, joka on asennettu ja maadoitettu kaikkien paikallisten normien ja määräysten mukaisesti.

VAROITUS

- Maattojohdon väärä liitäntä voi aiheuttaa sähköiskun vaaran. Jos et ole varma siitä, onko laite maadoitettu ohjeiden mukaisesti, tarkista asia pätevältä sähkömieheltä tai huoltoasentajalta. Jos kuntolaitteen mukana toimitettu pistoke ei sovi pistorasiaan, älä yritä tehdä pistokkeeseen muutoksia. Ota yhteyttä valtuutettuun sähkömieheen ohjeiden mukaisen pistorasian asentamiseksi.

Kokoamisohjeet

Kuvan A kuvaus

Kuvassa on esitetty, miltä harjoituslaite näyttää, kun asennus on saatu valmiiksi.

Voit käyttää tätä viitteenä asennuksen aikana, mutta tee asennusvaiheet aina oikeassa järjestyksessä kuvien mukaisesti.

Kuvan B kuvaus

Kuvassa on esitetty, mitä komponentteja ja osia sinun tulisi löytää poistaessasi tuotteen pakkauksesta.

HUOMAUTUS!!

- Pienet osat voivat olla piilossa / pakattuina Styrofoam-tuotesuojan koloihin.

Kuvan C kuvaus

Kuvassa on esitetty tuotteesi mukana tuleva välinepaketti. Välinepaketti sisältää pultit, aluslaatat, ruuvit, mutterit jne. sekä tarvittavat työkalut harjoittelulaitteen asianmukaiseen asennukseen.

Kuvan D kuvaus

Kuvassa on esitetty oikea järjestys, jota noudattamalla harjoittelulaitteen asennus onnistuu parhaiten.

HUOMAUTUS!!

- Asennusvaiheissa esitetyt osanumerot alkavat varaosapiirustuksen numerolla; varaosapiirustuksen löytää verkosta käyttöohjeen täydestä versiosta.

VAROITUS

- Kokoonpane laite esitetyssä järjestyksessä.
- Vähintään kahden henkilön on kannettava ja siirrettävä laitetta.

HUOMAUTUS

- Sijoita laite kovalle, tasaiselle alustalle.
- Asettaa laite suojalustalle lattiapinnan vaurioiden estämiseksi.
- Varaa vähintään 100 cm tilaa laitteen ympärille.
- Katso piirroksista laitteen oikea asennus.

ILMOITUS

- Kun olet suorittanut asennuksen loppuun, pane tämän tuotteen mukana toimitetut työkalut talteen tulevia huoltotoimia varten.

Lisätietoja ympäristöstä

Pakkauksen hävittäminen

Lainsäädäntö ohjeistaa meitä vähentämään kaatopaikoille toimitetun jätteen määrää. Sen vuoksi pyydämme sinua toimittamaan kaikki pakkausjätteet sitä varten tarkoitettuun kierrätysasemaan.

Laitteen hävittäminen käyttöiän päätyttyä

Me Tunturilla toivomme, että iloitset kuntolaitteestasi vuosia. Jokainen kuntolaite tulee kuitenkin aikanaan oman käyttöikänsä loppuun. Kotitalouksien sähkö- ja elektroniikkalaiteromua käsittelevien eurooppalaisten määräysten (WEEE) mukaan sinun kuuluu toimittaa kuntolaitteesi sitä varten tarkoitettuun keräyspaikkaan.

Harjoitukset

Harjoituksen on oltava sopivan kevyt, mutta pitkäkestoinen. Aerobic-harjoitus perustuu kehon maksimi hapenottokyvyn parantamiseen, mikä puolestaan parantaa kestävyyttä ja kuntotasoa. Harjoituksen aikana sinun tulisi hikoilla, mutta sinun ei tulisi hengästyä. Harjoittele vähintään kolme kertaa viikossa 30 minuuttia peruskuntotason saavuttamiseksi ja ylläpitämiseksi. Paranna kuntotasoasi lisäämällä harjoituskertojen määrää. On hyödyllistä yhdistää säännöllinen harjoitus terveelliseen dieettiin. Dieettiin sitoutuneen henkilön tulisi harjoitella päivittäin, ensi alkuun korkeintaan 30 minuuttia ja vähitellen lisäten päivittäinen harjoitusaika yhteen tuntiin. Aloita harjoituksesi hitaalla nopeudella ja pienellä vastuksella estääksesi liiallisen rasituksen sydän-verisuonijärjestelmään. Nopeutta ja vastusta voidaan

vähitellen lisätä kuntotason parantuessa. Harjoituksesi tehokkuus voidaan mitata seuraamalla sydämesi lyöntinopeutta ja pulssisi nopeutta. Lisää nopeutta ja vastusta vähitellen oman kuntosi mukaan. Pidä pää pystyssä ja kaula suorana välttääksesi stressiä kaulassa, hartioissa ja selässä. Pidä selkäsi suorana. Varmista, että jalkasi ovat keskellä polkimia ja että lantio, polvet, nilkat ja varpaat ovat suoraan eteenpäin. Pidä painosi alaruumiin yläpuolella, huolimatta siitä, nojaatko eteepäin vai seisotko suorana. Lopeta harjoitusjaksosi vähentämällä nopeutta ja vastusta vähitellen. Muista venyttellä harjoittelun lopuksi.

Ohjeita harjoittelua varten

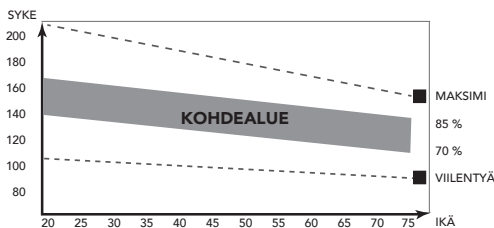
Kuntolaitteen käyttö tarjoaa monia etuja: se parantaa fyysistä kuntoa, kiinteyttää lihaksia ja hallittuun ruokavalion yhdistettynä se auttaa myös pudottamaan painoa.

Lämmittelyvaihe

Tämän vaiheen tarkoituksena on saada veri virtaamaan nopeammin ympäri kehoa ja panna lihakset tekemään työtä. Lämmittely vähentää myös kramppeihin ja lihaskramppien riskiä. Suosittelemme, että teet muutaman venyttelyharjoituksen alla olevan kuvan mukaisesti. Jokaisen venytyksen tulisi kestää noin 30 sekuntia. Älä tee venytyksiä väkisin tai nykäisten - jos tunnet kipua, LOPETA.

Harjoitteluvaihe

Tämä on se vaihe, jossa ponnistelet. Säännöllisen harjoittelun tuloksena jalkojesi lihakset tulevat joustavammiksi. Tässä vaiheessa on hyvin tärkeää ylläpitää tasaista nopeutta koko ajan. Rasituksen tulisi olla riittävän suuri, jotta sykkeesi nousee tavoitealueelle alla olevan kaavion mukaisesti



Tämän vaiheen tulisi kestää vähintään 12 minuuttia, mutta useimmilla aloittelijoilla se on noin 15-20 minuuttia.

Jäähdyttelyvaihe

Tämän vaiheen tarkoituksena on antaa verenkiertojärjestelmäsi ja lihaksiesi palautua. Jäähdyttelyssä toistetaan lämmittelyvaiheen harjoitukset vähentämällä ensin nopeutta ja jatkamalla tällä nopeudella noin 5 minuuttia. Toista sitten venyttelyharjoitukset pitäen mielessä, että venytyksiä ei saa tehdä väkisin tai nykäisten. Kun kuntosi nousee, voit tarvita pidempiä ja raskaampia harjoituksia. On suositeltavaa treenata vähintään kolme kertaa viikossa, ja harjoittelut olisi hyvä jakaa tasaisesti viikon varrelle.

Lihasten kiinteytys

Jos tavoitteesi on lihasten kiinteytys, sinun pitää asettaa vastus suureksi. Silloin jalkojesi lihakset rasittuvat enemmän, etkä ehkä pysty treenaamaan niin pitkään kuin haluaisit. Jos tavoitteesi on myös kunnan kohentaminen, sinun pitää muuttaa harjoitteluohjelmaasi. Harjoittele lämmittely- ja jäähdyttelyvaiheissa normaalisti, mutta lisää vastusta harjoitteluvaiheessa, jotta jalkasi joutuvat tekemään enemmän työtä. Vähennä tarvittaessa nopeutta, jotta sykkeesi pysyy tavoitealueella.

Painon pudotus

Ratkaisevaa on se, miten rasittavaa harjoittelu on. Mitä enemmän ja mitä pidempään harjoitteleet, sitä enemmän poltat kaloreita. Vaikutus on sama kuin jos harjoittelisit kunnan kohentamiseksi, vaikka tavoite on nyt toinen.

Syke

ILMOITUS

- Tämä kouluttaja ei ole varustettu sykemittarilla. Kun haluat seurata sykettäsi, sinun on käytettävä ylimääräistä laitetta.

Suurin sallittu sydämen lyöntinopeus (harjoituksen aikana)

Suurin sallittu sydämen lyöntinopeus on suurin lyöntinopeus, jonka henkilö voi turvallisesti saavuttaa harjoituksen rasituksella. Seuraavaa kaavaa käytetään laskemaan keskimääräinen suurin sallittu sydämen lyöntinopeus: 220 - IKÄ. Suurin sallittu sydämen lyöntinopeus vaihtelee henkilöstä toiseen.

VAROITUS

- Varmista, ettet ylitä sydämesi suurinta sallittua lyöntinopeutta harjoituksen aikana. Jos kuulut riskiryhmään, ota yhteys lääkäriin.

Aloittelija

50-60% suurimmasta sallitusta sydämen lyöntinopeudesta
Sopiva aloittelijoille, painonvartijoille, toipilaille, ja henkilöille, jotka eivät ole harjoitelleet pitkään aikaan. Harjoittele vähintään kolme kertaa viikossa, 30 minuuttia kerrallaan.

Edistynyt

60-70% suurimmasta allitusta sydämen lyöntinopeudesta
Sopiva henkilöille, jotka haluavat parantaa ja ylläpitää kuntoaan. Harjoittele vähintään kolme kertaa viikossa, 30 minuuttia kerrallaan..

Ekspertti

70-80 % suurimmasta sallitusta sydämen lyöntinopeudesta
Sopiva kunnoltaan erittäin hyvälle henkilöille, jotka ovat tottuneet pitkäkestoisin harjoituksiin.

Käyttö

Virranhallinta

Pääkytkin (kuva E-A)

Tämä laite on varustettu pääkytkimellä laitteen sammuttamiseksi kokonaan.

Laitteen käynnistäminen:

- Laita virtajohdon pistoke pistorasiaan.
- Laita pääkytkin ON-asentoon.

Laitteen pysäyttäminen:

- Laita pääkytkin OFF-asentoon.
- Poista virtajohdon pistoke pistorasiasta.

Katkaisin (kuva. E-B)

Laitte on varustettu katkaisimella, joka avaa virtapiirin sähkökuormituksen ollessa yli suurimman sallitun kuorman. Tämän tapahtuessa katkaisijaa on painettava.

VAROITUS

- Poista virtajohdon pistoke laitteesta ennen katkaisimen painamista.

Jos laite sammuttaa itsensä, käynnistä laite uudestaan seuraavasti:

- Poista virtajohdon pistoke laitteesta.
- Paina katkaisinta laitteen käynnistämiseksi uudelleen.
- Työnnä virtajohdon pistoke laitteeseen.

!! ILMOITUS

- Joitakin kotona käytettäviä katkaisimia ei ole luokiteltu korkeaan käynnistyskäynnin virtaan, jota voi esiintyä, kun juoksumatto kytketään päälle ja jopa normaalin käytön aikana. Jos juoksumattosi aktivoi katkaisimen (vaikka luokitus on oikea ja juoksumatto on virtapiirin ainoa laite), mutta juoksumaton oma katkaisin ei aktivoitu, sinun pitää vaihtaa katkaisin korkealle käynnistyskäynnin virralle tarkoitettuun tyyppiin. Tämä vika ei kuulu takuun piiriin. Kyseessä on asia, johon emme valmistajana voi vaikuttaa.

Taittaminen (kuvat F1 ja F2)

Kiinni taittaminen

Laitte voidaan taistaa, jotta harjoituslaitetta säilytettäessä säästyy tilaa.

- Käännä virtakytkin OFF (pois) -asentoon.
- Irrota virtajohto pistorasiasta.
- Löysää harjoituslaitteen alaosassa (vasemmalla) olevaa nuppia (7) ja irrota se rungosta.
- Taita juoksualue tasaisesti kiinni, jotta pystyrunko ei kaadu. (Pidä kiinnitys-nuppia (7) jo kädessäsi)
Varo, ettei virtajohto joudu puristuksiin kiinni taittamisen aikana.
- Aseta kiinnitys-nuppi (7) pystyputken puoliväliin (vasemmalle), kiinnitä se juoksualue kiinnitysuran ja kiinnitä se lujasti.
Älä päästä juoksumaton juoksualuesta irti, ennen kuin se on kiinnitetty taas kokonaan, sillä se voi pudota vahingossa, kun sitä ei ole kiinnitetty kunnolla.
- Säilytä virtajohtoa paikassa, jossa se ei vaurioitu, jää puristuksiin tai aiheuta kompastumisvaaraa.

Auki taittaminen

- Löysää kiinnitys-nuppia (7) pystyputken puolivälistä (vasemmalta), tue samalla juoksualue ja irrota se rungosta.
- Taita juoksumaton alusta auki ja tue sitä samalla koko matkalta.
Varo, ettei virtajohto joudu puristuksiin auki taittamisen aikana.
- Aseta kiinnitys-nuppi harjoituslaitteen alaosaan (vasemmalle) ja kiinnitä se lujasti.

Katso laitteen oikeanlainen kiinni ja auki taittamisen tapa kuvista.

Turvallisuusavain (kuva F-3)

Laitte on varustettu turvallisuusavaimella, joka on laitettava asianmukaisesti ohjauspaneeliin laitteen käynnistämiseksi. Jos poistat turvallisuusavaimen ohjauspaneelistä, laite pysähtyy välittömästi.

- Työnnä turvallisuusavain ohjauspaneelissa olevaan hahloon.
- Varmista, että turvallisuusavaimen pidike on kiinnitetty hyvin vaatteisiisi. Varmista, että pidike ei irtoa vaatteistasi ennen kuin turvallisuusavain irtoaa ohjauspaneelistä.

!! ILMOITUS

- Konsoli näyttää " - - - - " -koodin, kun turva-avain ei ole paikallaan käynnistyskäynnin aikana.

Ohjauspaneeli (kuva. E-1)

! HUOMAUTUS

- Pidä ohjauspaneeli pois suorasta auringonvalosta.
- Kuivaa ohjauspaneelin pinta, jos siihen on tippunut hikeä.
- Älä nojaa ohjauspaneeliin.
- Kosketa näyttöä vain sormenpäälläsi. Älä kosketa näyttöä kynsiläsi tai terävillä esineillä.

!! ILMOITUS

- Ohjauspaneeli siirtyy valmiustilaan, kun laitetta ei ole käytetty 10 minuuttiin.

Painikkeet

Mode (Tila)

- Valitse ohjelmatila (P0–P12)
- Vahvista asetus siirtäaksesi ohjelmointitilan seuraavaan vaiheeseen.

Set (Aseta)

- Aseta ohjelmatilassa harjoitukselle tavoite (tavoitteet).

Start/Stop (Käynnistys/Pysäytys)

- Aloita valittu harjoitus viiden sekunnin lähtölaskennan jälkeen, kun laite pysäytystilassa.
- Jos laite on harjoittelutilassa, laite pysähtyy vähitellen.

Yksi nuoli ylös (+ 0,1)

- Lisää nopeutta 0,1 km/h kerrallaan.
 - Painamalla ja pitämällä pohjassa kahden sekunnin ajan voi kasvattaa nopeutta nopeammin.
 - Korottaa tavoitearvoja ohjelmointitilassa.
- | | |
|---------|------------|
| Matka | + 0,1 km |
| Kalorit | + 1,0 kcal |
| Aika | + 1,0 min. |

Kaksoisnuoli ylös (+ 1,0)

- Lisää nopeutta 1,0 km/h kerrallaan.
 - Painamalla ja pitämällä pohjassa kahden sekunnin ajan voi kasvattaa nopeutta nopeammin.
 - Korottaa tavoitearvoja ohjelmointitilassa.
 - Korottaa tavoitearvoja ohjelmointitilassa.
- | | |
|---------|-----------|
| Matka | + 1,0 km |
| Kalorit | + 10 kcal |
| Aika | + 10 min. |

Yksi nuoli alas (- 0,1)

- Vähentää nopeutta 0,1 km/h kerrallaan.
 - Painamalla ja pitämällä pohjassa kahden sekunnin ajan voi pienentää nopeutta nopeammin.
 - Laskee tavoitearvoja ohjelmointitilassa.
- | | |
|---------|------------|
| Matka | - 0,1 km |
| Kalorit | - 1,0 kcal |
| Aika | - 1,0 min. |

Kaksoisnuoli alas (- 1,0)

- Vähentää nopeutta 1,0 km/h kerrallaan.
 - Painamalla ja pitämällä pohjassa kahden sekunnin ajan voi pienentää nopeutta nopeammin.
 - Korottaa tavoitearvoja ohjelmointitilassa.
- | | |
|---------|-----------|
| Matka | - 1,0 km |
| Kalorit | - 10 kcal |
| Aika | - 10 min. |

!! HUOMAUTUS

- Nopeudensäätöpainikkeet toimivat vain P0-harjoittelutilassa.

Näytön kohtien selitykset

Speed (Nopeus)

- Näyttää ohjelmavalinnan ohjelmointitilassa.
- Näyttää viiden sekunnin lähtölaskennan, kun painat "Start"-painiketta.
- Näyttää juoksumaton tämänhetkisen nopeuden harjoittelutilassa.
Näyttöalue: 1,0–10,0 km/h ± 0,1 km/h

Time (Aika)

- Näyttää tähänastisen juoksuajan harjoittelutilassa.
- Näyttää jäljellä olevan ajan, kun olet harjoittelutilassa ja asettanut tavoiteajan harjoitukselle.
- Näyttää tavoiteajan ohjelmointitilassa.
Näyttöalue: 00:01–99:99

Distance (Matka)

- Näyttää juostun matkan harjoittelutilassa.
- Näyttää jäljellä olevan matkan, kun olet harjoittelutilassa ja asettanut tavoitematkan harjoitukselle.
- Näyttää tavoitematkan ohjelmointitilassa.
Näyttöalue: 0,0–99,9 km ± 0,1 km

Calories (kalorit)

- Näyttää kulutetut kalorit harjoittelutilassa.
- Näyttää jäljellä olevat kalorit, kun olet harjoittelutilassa ja asettanut tavoitekalorit harjoitukselle.
- Näyttää tavoitekalorit ohjelmointitilassa.
Näyttöalue: 0–999 kcal.

Kalorien ilmaisvalo palaa, kun kalorit näytetään.

⚠️ HUOMAUTUS

- Nämä tiedot muodostavat suuntaa antavan oppaan eri harjoitusjaksojen vertailuun. Niitä ei voi käyttää lääketieteellisissä hoidossa.

⚠️ HUOMAUTUS

- "Distance"- ja "Calories"-näyttö päivittyy viiden sekunnin välein.
- Voit pysäyttää näytön "SET"-painikkeella.
- Voit vaihtaa "Distance"- ja "Calories"-näyttöjen välillä "SET"-painikkeella.
- "Mode"-painikkeella voit vapauttaa näytön tai aloittaa skannauksen uudelleen pysäytystilassa.

Ohjelmat**Pika-aloitus**

- Paina "Start/Stop"-painiketta aloittaaksesi harjoituksesi ilman ennalta määritettyjä asetuksia.
- Juoksumatto käynnistyy miniminopeudella 1,0 km/h.
- Voit milloin tahansa säätää nopeutta halutessasi muuttaa harjoitustasi.

Lopeta harjoituksesi

- Lopeta harjoitus ja nollaa konsoli painamalla "Start/Stop"-painiketta.
- Lopeta harjoitus ja nollaa konsoli painamalla "STOP"-painiketta yhtäjaksoisesti.

Valmisohjelmat (P0)

Siirry ohjelmatilasta toiseen painamalla pysäytystilassa "Mode"-painiketta. Valitse P0-ohjelma, jos haluat manuaalisen ohjelman.

Jos et halua asettaa tavoitetta, paina suoraan "Start/Stop"-painiketta, jolloin juoksumatto käynnistää harjoituksen ilman tavoitteita. Kaikki näytössä olevat arvot etenevät ylöspäin eikä juoksumatto pysähdy, ellei "Start/Stop"-painiketta paineta. P0-tilassa käyttäjä säätää aina itse nopeutta.

Kun haluat asettaa aika-, kalori- tai matkatavoitteen:

Aseta harjoitukselle aikatavoite.

- Avaa ohjelmointitila tavoitteen asettamiseksi painamalla "Set"-painiketta kerran, kun olet P0-tilassa.
- "Time"-ikkunassa vilkkuu oletuksena "30:00" tavoiteminuuttia.
- Muuta tavoiteaika haluamaksesi painamalla kaksoisnuolta ylös tai alas.
Tavoitealue: 5:00–99:00 ± 1:00 minuuttia.
- Aloita harjoitus painamalla "Start/Stop"-painiketta.

Aseta harjoitukselle matkatavoite.

- Avaa ohjelmanvalintatila tavoitteen asettamiseksi painamalla "Set"-painiketta kaksi kertaa, kun olet P0-tilassa.
- "Distance"-ikkunassa vilkkuu oletuksena "1:00" tavoitekilometriä.
- Muuta tavoitematka haluamaksesi painamalla kaksoisnuolta ylös tai alas.
Tavoitealue: 0,5–99,9 ± 0,1 km.
- Aloita harjoitus painamalla "Start/Stop"-painiketta.

Aseta harjoitukselle kaloritavoite.

- Avaa ohjelmanvalintatila tavoitteen asettamiseksi painamalla "Set"-painiketta kolme kertaa, kun olet P0-tilassa.
- "Calories"-ikkunassa vilkkuu oletuksena "50" tavoitekaloria.
- Muuta tavoitekalorimäärä haluamaksesi painamalla kaksoisnuolta ylös tai alas.
Tavoitealue: 10–999 kcal.
- Aloita harjoitus painamalla "Start/Stop"-painiketta.

Valmisohjelma (P1 ~ P12)

Valmisohjelmissa nopeus on määritetty ennalta, eikä matka- tai kaloritavoitetta voida asettaa, koska matka ja kalorit riippuvat suoraan harjoitusajasta.

Tavoitteeksi voidaan asettaa harjoitusaika.

Tavoitealue: 5:00–99:00 ± 1:00 minuuttia.

- Siirry ohjelmatilasta toiseen painamalla pysäytystilassa "Mode"-painiketta. Valitse vaihtoehtoista P1–P12 haluamasi valmisohjelma. Valittua ohjelmaa ei tarvitse vahvistaa.
- "Time"-ikkunassa vilkkuu oletuksena "30:00" tavoiteminuuttia.
- Muuta tavoiteaika haluamaksesi painamalla kaksoisnuolta ylös tai alas.
Tavoitealue: 5:00–99:00 ± 1:00 minuuttia.
- Aloita harjoitus painamalla "Start/Stop"-painiketta.

⚠️ HUOMAUTUS

- Eri ohjelmien profiilit esitetään kuvassa G.
- Kunkin valmisohjelman profiili on jaettu 20 osaan, joista kukin osa on 1/20 asetetusta tavoiteajasta.

Palaa takaisin alkuun "Set"-painikkeella.

Puhdistus ja huolto**⚠️ VAROITUS**

- Kuntokeskuslaitteesi tarvitsee kuukausittaista huoltoa, vaikka sitä ei käytettäisi.
- Poista pistoke pistorasiasta ennen puhdistusta ja huoltoa.
- Älä käytä liuottimia laitteen puhdistukseen.

- Älä peitä tuuletusaukkoja. Pidä tuuletusaukot puhtaana pölystä, liasta ja muista esteistä.
- Puhdista laite pehmeällä, imukykyisellä kankaalla jokaisen käytön jälkeen.
- Puhdista laitteen näkyvät osat pölynimurilla käyttäen pientä imupäätä.
- Tarkista säännöllisesti kaikkien ruuvien ja mutterien olevan tiukasti kiinni.

⚠️ HUOMIO

- Suosittellemme käyttämään juoksumatolla vain sisäkenkiä. Jos sinulla ei ole näitä, suosittellemme tarkistamaan jalkineiden pohjat ennen niiden käyttöä juoksumatolla varmistaaksesi niiden puhtauden, sillä juoksumatto ei kestä ulkoa tulevaa likaa.

Peruspuhdistus

Lika, pöly ja lemmikkieläinten karvat voivat tukkia laitteen ilma-aukot ja kerääntyä mattoon. Estä epäpuhtauksien kerääntyminen imuroimalla kuukausittain kuntolaitteen alta.

IRROTA ENSIN VERKKOJOHDON PISTOKE PISTORASIASTA

Matolle kertyvä pöly

Pölyä esiintyy tavanomaisen käyttöönoton aikana tai siihen asti kun matto vakautuu. Pyyhi mattoon mahdollisesti kerääntyvä pöly pois kevyesti kostutetulla liinalla.

Matto ja juoksualusta

Juoksumatossa on hyvin tehokas alhaisen kitkan juoksualue. Suorituskyky voidaan maksimoida pitämällä juoksualusta niin puhtaana kuin mahdollista. Lika ja pölyhiukkaset juoksualustan ja juoksuhihnan välillä vahingoittavat juoksualustan pintaa, mikä vaikuttaa suorituskykyyn ja tuotteen käyttöikään.

Ohjeet juoksualustan puhdistamiseen

Pyyhi pehmeällä ja kuivalla liinalla hihnan reunat sekä maton reunojen ja rungon välinen alue. Yritä kurkottaa myös hihnan reunojen alle poistaaksesi myös reunoihin kertyneen lian.

Ohjeet juoksumaton pinnan puhdistamiseen

Poista ensin irtahiukkaset hihnan pinnalta nylonisella hankausharjalla. Käytä sen jälkeen kuivaksi väännettyä kosteaa liinaa (ei puhdistusaineita tai hankausaineita) pintakuvioidun hihnan yläosan hellävaraiseen puhdistamiseen. Anna hihnan kuivua ennen käyttöä.

!! HUOMAUTUS

- Kun hihna on liian likainen puhdistettavaksi pelkällä vedellä, voit käyttää mietoa saippuaa, mutta ei koskaan voiteluainetta tai liuotinta.
- Estä aina liuoksen pääsy juoksualustan ja hihnan väliin.

Tämä pitäisi tehdä säännöllisin väliajoin hihnan ja juoksualustan käyttöänsä pidentämiseksi.

Voitelu (kuva F-5)

⚠️ HUOMAUTUS

- Juoksumaton matto on voideltu ennen sen asentamista juoksumattoon laitteen tuotannon aikana. Siksi mattoa ei tarvitse voidella, kun se otetaan ensimmäisen kerran käyttöön.

Juoksuhihnan voitelutilanne on tarkistettava säännöllisin väliajoin. Siksi juoksumatossa on toiminto, joka muistuttaa asiasta 300 km välein. "HARJOITUSAIKAIKKUNAAN" tulee teksti "OIL" (voitelu), ja laite muistuttaa toistamalla äänimerkin 10 sekunnin välein. Noudata alla olevaa tarkistusmenettelyä ja poista "OIL" (voitelu) -teksti ja äänimerkki painamalla "MODE" (lopeta) -painiketta vähintään kolmen sekunnin ajan varoitussignaalin aikana.

⚠️ VAROITUS

- Poista virtajohdon pistoke pistorasiasta ennen voitelua.

⚠️ HUOMAUTUS

- Suosittellemme tarkistamaan juoksumaton voitelun vähintään kerran kuukaudessa, sillä muutkin tekijät kuin aika voivat vaikuttaa voiteluolosuhteisiin.
- Voitele juoksumatto vain tarvittaessa. Jos laitat liikaa voiteluainetta, juoksumatto lipsuu herkästi kitkan puuttumisesta johtuen.

- Seiso vakaasti juoksumatolla.
- Pidä kiinni etukäsituesta ja työnnä juoksumattoa jaloillasi niin, että se liukuu edestakaisin. Juoksumaton on liikuttava pehmeästi ja tasaisesti ääntä pitämättä.
- Jos juoksumatto ei liiku pehmeästi ja tasaisesti tai, jos juoksumatto ei liiku ollenkaan, kosketa juoksumaton alapuolta sormenpäilläsi voitelun tarkistamiseksi:
 - Jos tunnet voiteluainetta tai sormesi ovat kiiltävät, juoksumatossa on riittävästi voiteluainetta.
 - Jos et tunne voiteluainetta, tai sormenpäisi ovat pölyiset tai ne tuntuvat karkeilta, laita voiteluainetta (± 10 ml.) keskelle juoksumatosta juoksumaton alle ja anna laitteen käydä 5 km/h nopeudella vähintään 5 minuuttia.
 - Älä taita laitetta voitelun jälkeen ennen kuin olet suorittanut 2 minuutin harjoituksen vähintään 5 km/h nopeudella. Tämä saa voiteluainetta täysin imeytymään hihnaan ja leviämään tasaisesti.

!! HUOMAUTUS

- Jos 5 km/h on sinulle liian nopea vauhti, kävele haluamallasi nopeudella, mutta pidennä kestoja vähintään 5 minuuttiin.



Katso YouTube-ohjevideomme napsauttamalla <https://youtu.be/ceaOYnofY5k>

Maton säädöt

Juoksumaton hyvä toiminta riippuu siitä, lepääkö runko riittävän tasaisella alustalla. Jos runko ei ole aivan vaakasuorassa, etu- ja takatela eivät pyöri tasaisesti, ja matto tarvitsee toistuvasti säätämistä.

Juoksumatto on suunniteltu siten, että matto pysyy riittävän keskellä käytön aikana. On aivan normaalia, että jotkut matot kulkeutuvat kohti toista laitaa, jos käynnissä olevassa laitteessa ei ole harjoittelijaa. Kun laitetta on käytetty muutama minuutti, maton kuuluu kuitenkin keskittyä itsestään. Jos matto siirtyy käytön aikana jatkuvasti toiseen laitaan, sitä on säädettävä.

POIKKEUS:

Kun juoksumattoa käytetään kuntoutukseen, ja kuntoutuja käyttää jompaakumpaa jalkaa toista jalkaa voimakkaammin, matto saattaa siirtyä toiseen laitaan. Tällaisessa tapauksessa mattoa ei pidä säätää. Sitä tulisi säätää vasta, jos matto ei tavallisessakaan harjoittelukäytössä keskity itsestään.

Hihnan kireyden säätö

Maton kireyden säätö - Kireys säädetään takatilasta. Säätöruuvit sijaitsevat reunalevyjen päätusuojuksissa mukaisesti.

- Takatelan ruuveja on kiristettävä (myötöpäivään) vain sen verran, että etutela ei enää luista. Kierrä kumpaakin kireydensäätöruuvia 1/4 kierroksen askelissa ja tarkista välillä maton kireys kävelemällä matolla alhaisessa nopeudessa, varmistaen että matto ei luista. Jatka säätöruuvien kiristämistä, kunnes matto ei enää luista.

- Jos matto tuntuu sinusta riittävän kireältä mutta se luistaa edelleen, ongelma voi johtua siitä, että etusuojuksen alla sijaitseva moottorin käyttöhihna on löysällä.
- Älä Kiristä Liikaa: Liiallinen kiristäminen voi vahingoittaa mattoa ja aiheuttaa laakerien ennenaikaisen vaurioitumisen.



Katso YouTube-ohjevideomme napsauttamalla
https://youtu.be/pp4_4bL1MXo

Juoksuhihnan keskitys (kuva F-4)

Hihnan keskitys on tarpeen, kun hihna ei kulje juoksupinnan keskellä. Tämän huomaa helposti, kun sivualan ja hihnan välinen rako yhdellä puolella on huomattavasti suurempi kuin toisella puolella. Tämä voi johtua (jostain seuraavista):

SY 1

Työnnät yhdellä jalalla voimakkaammin harjoituksen aikana. Tämä aiheuttaa hihnan työntymisen sivuun, mutta korjaantuu automaattisesti, kun juoksumaton annetaan käydä kuormittamattomana muutaman minuutin ajan.

SY 2

Juoksumatto ei ole vaakatasossa, jolloin painovoima vetää hihnaa hitaasti juoksumaton alimpaan päähän. Tämä on korjattava säätämällä juoksumatto oikein, koska tätä ei voida ratkaista millään muulla säädöllä.

SY 3

Hihnaa ei ole keskitetty oikein etu- ja takarullan rummun väliin. Tämä on korjattava säätämällä hihnan kulkua alla kuvatulla tavalla.

Voit säätää hihnan kulkua laitteen mukana toimitetulla kuusiokoloavaimella.

- Aseta juoksumatto ± 5 km/h nopeudelle, älä juokse sillä.
- Kun hihna vetää oikealle puolelle.
Kierrä vasemman takarullan säätöpulttia, joka sijaitsee takana takarullan kannen kannassa, vastapäivään 1/4 kierrosta.
- Kun hihna vetää vasemmalle puolelle.
Kierrä oikeanpuoleisen takarullan säätöpulttia, joka sijaitsee takana takarullan kannen kannassa, vastapäivään 1/4 kierrosta.
- Odota ± 2 minuuttia, jotta hihna ehtii reagoida säätöön, ennen kuin tarvittaessa toistat säätövaiheet halutun tuloksen saavuttamiseksi.

HUOMAUTUS

- Muista, että pienellä säädöllä voi olla suuri ero, joten tee säädöt pienin välein kerrallaan.



Katso YouTube-ohjevideomme napsauttamalla
<https://youtu.be/qx5AvTv00J4>

Matto saattaa vaatia säännöllistä keskitystä laitteen käytöstä ja harjoittelijan kävely- tai juoksutavasta riippuen. Eri käyttäjillä on erilainen vaikutus maton kulkuun. On todennäköistä, että joudut jossakin vaiheessa säätämään maton keskitystä. Kun mattoa käytetään, säädöt tulevat tutuiksi ja niistä on vähemmän huolta. Maton keskittäminen on juoksumaton omistajan vastuulla kaikissa juoksumatoissa.

HUOM

- Maton vahingoittuminen huonosti toteutetun keskityksen tai kireyden säädön seurauksena ei kuulu takuun piiriin.

Käyttöhäiriöt

Jatkuvasta laaduntarkkailusta huolimatta laitteessa saattaa esiintyä yksittäisistä komponenteista johtuvia yksilövikoja tai toimintahäiriöitä. Koko laitteen toimittaminen korjattavaksi on yleensä tarpeetonta, sillä vika on useimmiten korjattavissa ko. osan vaihdolla.

Mikäli laitteen toiminnassa ilmenee häiriöitä käytön aikana, ota välittömästi yhteys laitteen myyjään. Ilmoita laitteesi malli ja sarjanumero (sarjanumerotarran sijainnin näet tämän käyttöohjeen etukannen sisäpuolelta). Ilmoita lisäksi häiriön luonne, laitteen käyttöympäristö sekä ostopäivämäärä.

Mikäli tarvitset laitteeseesi varaosia, ota yhteys laitteen myyjään. Ilmoita aina laitteen malli, sarjanumero sekä tarvittavan osan varaosanumero. Varaosaluettelon löydät tämän oppaan lopusta. Laitteessa saa käyttää vain varaosalistassa mainittuja osia.

Virhekoodit

Jos näytöllä näkyy virhekoodi ("E" + numero), käynnistä laite uudelleen ja tarkista näkykö virhekoodi edelleen näytöllä. Jos virhekoodi näkyy edelleen näytöllä, ota välittömästi yhteys jälleenmyyjään.

Oil

OIL ei ole virhekoodi, katso "Voitelu"

Koodi "-- -- --"

Konsoli näyttää "-- -- --"-koodin, kun turva-avain ei ole paikallaan käynnistyksen aikana. "-- -- --" ei ole virhekoodi, katso "Turvallisuusavain"

Kuljetus ja säilytys

VAROITUS

- Poista pistoke pistorasiasta ennen puhdistusta ja huoltoa.
- Vähintään kahden henkilön on kannettava ja siirrettävä laitetta.
- Varmista, ettei muita henkilöitä tai esineitä ole laitteen alla.
- Kokoonlittaessasi laitetta varmista, että kuulet laitteen lukittuvan paikalleen estäen laitteen putoavan uudelleen alas.

HUOMAUTUS

- Älä nosta laitetta pitämällä kiinni johdosta äläkä käytä virtajohtoa kahvana.

- Siirrä laite näytetyn mukaisesti (kuva F3). Siirtäkää laite ja laskekaa se varovasti alas. Asettakaa laite suojaalustalle lattiapinnan vaurioiden estämiseksi. Siirrä laitetta varovasti epätasaisilla pinnoilla. Älä siirrä laitetta yläkertaan pyöriä käyttäen. Suorita siirto kahvatuista kantaen.
- Säilytä laitetta pystyasennossa (kuva F1). Säilytä laitetta kuivassa, mahdollisimman tasalämpötilaisessa paikassa.

Takuu

Tunturi-kuntolaitteen omistajan takuu

Takuuehdot

Kuluttaja on oikeutettu soveltuviin, kansallisessa kuluttajatuotteiden kauppaa koskevassa lainsäädännössä mainittuihin lakisääteisiin oikeuksiin. Tämä takuu ei rajoita näitä oikeuksia. Ostajan takuu on voimassa vain, jos tuotetta käytetään ympäristössä, jonka Tunturi New Fitness BV on kyseiselle laitteelle hyväksynyt. Kunkin tuotteen sallitut käyttöympäristöt ja huolto-ohjeet on esitetty tuotteen käyttöohjeessa. Käyttöohje on ladattavissa verkkosivustoltamme. <http://manuals.tunturi.com>

Takuuehdot

Takuuehdot tulevat voimaan tuotteen ostopäivästä lukien. Takuuehdot voivat olla erilaiset eri maissa, joten pyydä takuuehdot paikalliselta jälleenmyyjältä.

Takuun kattavuus

Missään olosuhteissa Tunturi New Fitness BV tai Tunturi-jälleenmyyjä ei vastaa ostajalle mahdollisesti aiheutuvista välillisistä vahingoista, kuten käyttöhyödyn tai tulojen menetyksestä taikka muista taloudellisista seurausvahingoista.

Takuun rajoitukset

Takuu kattaa työstä ja materiaalista johtuvat virheet kuntolaitteessa, joka on alkuperäisessä kokoonpanossaan.

Takuu koskee vain virheitä, jotka ilmenevät normaalissa ja laitteen mukana tulleen ohjekirjan mukaisessa käytössä edellyttäen, että Tunturin asennus-, huolto- ja käyttöohjeita on noudatettu. Tunturi New Fitness BV:n ja Tunturin jälleenmyyjät eivät vastaa virheistä, jotka aiheutuvat heidän vaikutusmahdollisuuksiensa ulkopuolella olevista seikoista. Takuu on voimassa vain niissä maissa, joissa Tunturi New Fitness BV:llä on valtuutettu maahantuojia. Takuu ei koske sellaisia kuntolaitteita tai osia, joita on muutettu ilman Tunturi New Fitness BV:n suostumusta. Takuu ei koske virheitä, jotka johtuvat luonnollisesta kulumisesta, virheellisestä käytöstä, käytöstä olosuhteissa, joihin kuntolaitetta ei ole tarkoitettu, korroosiosta tai lastaus- tai kuljetusvahingoista.

Takuu ei koske käyttöäniä, jotka eivät olennaisesti haittaa laitteen käyttöä eivätkä johdu laitteesta olevasta virheestä.

Takuu ei myöskään sisällä kunnossapitotoimenpiteitä, kuten puhdistusta, voitelua tai sen osien normaalia tarkistamista, eikä sellaisia asennustoimenpiteitä, jotka asiakas voi suorittaa itse ja jotka eivät edellytä erityistä kuntolaitteen purkamista / kokeamista. Tällaisia toimenpiteitä ovat esim. mittareiden, polkimien tai muiden vastaavien yksinkertaisten osien vaihdot. Muun kuin valtuutetun Tunturi-edustajan suorittamia takuukorjauksia ei korvata. Laitteen käyttöohjeen noudattamatta jättäminen aiheuttaa takuun raukeamisen.

Tekniset tiedot

Parametri	Mittayksikkö	Arvo
Sähkölähteen jännite	VAC	210 ~ 240
Sähkölähteen taajuus	Hz	50 ~ 60
Juoksumaton nopeus	Km/H	1.0 ~ 10.0
Nousukulma	Step	~
Pituus (taitettuna)	Cm	123.5 (27.5)
Leveys	Cm	61.0
Korkeus (taitettuna)	Cm	120.0 (127.0)
Paino	Kg	24.0
Syke voidaan mitata seuraavasti:	käsihahvojen anturit 5.0 Khz. 5.3 Khz. Bluetooth (BLE) ANT+	Ei Ei Ei Ei Ei

Valmistajan vakuutus

Tunturi New Fitness BV vakuuttaa tuotteen täyttävän seuraavien standardien ja direktiivien vaatimukset: EN 957 (HC), 2014/30/EU. Tässä tuotteessa on sen vuoksi CE-merkki..

03-2022

Tunturi New Fitness BV
Purmerweg 1
1311 XE Almere
Alankomaat

Vastuuvapauslauseke

© 2022 Tunturi New Fitness BV
Kaikki oikeudet pidätetään.

- Tuote ja käyttöopas saattavat muuttua.
- Teknisiä tietoja saatetaan muuttaa ilman eri ilmoitusta.
- Katso käyttöohjeiden uusin versio verkkosivustoltamme.

TUNTURI[®]

FEEL BETTER EVERY DAY

TUNTURI NEW FITNESS B.V.

Purmerweg 1
1311 XE Almere
The Netherlands

P.O. Box 60001
1320 AA Almere
The Netherlands

info@tunturi.com
www.tunturi.com



20240402-W