



Datenblatt - Fiche technique - Data sheet

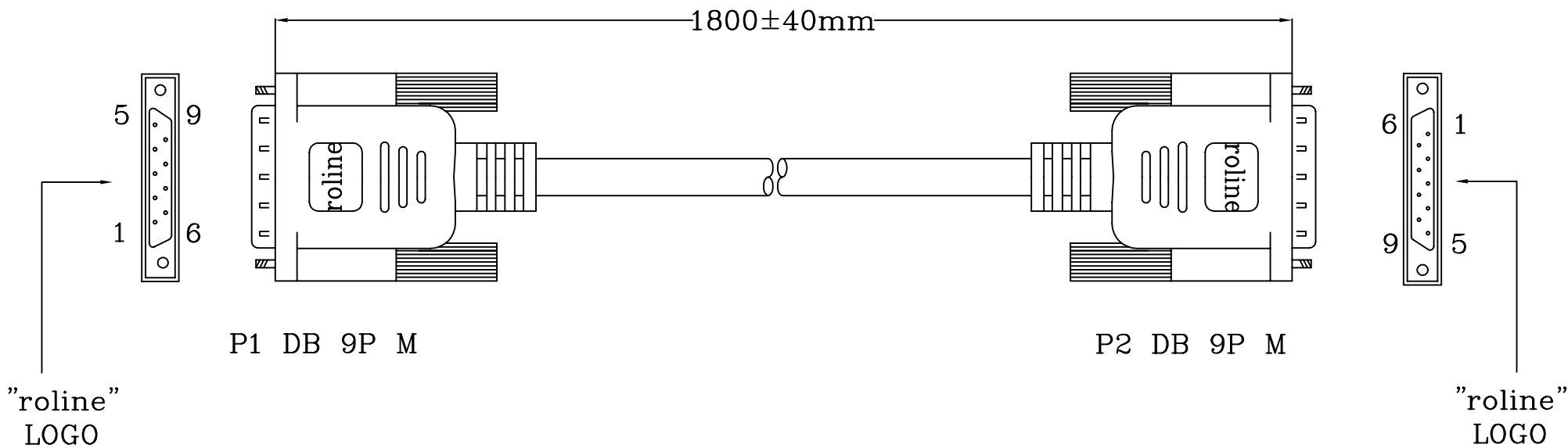
11.01.6018



ROLINE RS232-Kabel 9pol ST-ST, 1,8m

ROLINE Câble RS-232 9 pôles M/M, 1,8m

ROLINE RS232 Cable, DB9 M - M, 1.8 m



MATERIAL LIST

NO	DESCRIPTION	Q'TY
1	CABLE: NON-UL 28AWG 9C SINGLE SHIELD JACKET COLOR: BEIGE	1
2	DB9 MALE SOLDER TYPE	2
3	SCREW #4-40	4
4	INSIDE MOLDING	g
5	OUTSIDE MOLDING PVC COLOR: BEIGE	g

PIN		OUT
P1		P2
1	—	1
2	—	2
3	—	3
4	—	4
5	—	5
6	—	6
7	—	7
8	—	8
9	—	9
SHIELD	—	SHIELD

DRAWN BY		SCALE: NONE	MODEL: 11.01.6018
CHECK BY		UNIT: mm	
REVISION	DESCRIPTION	APPROVED BY	DATE
APPROVED BY		REV: A	