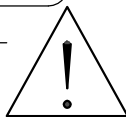
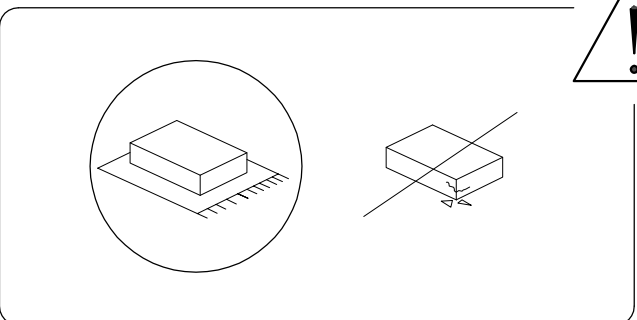
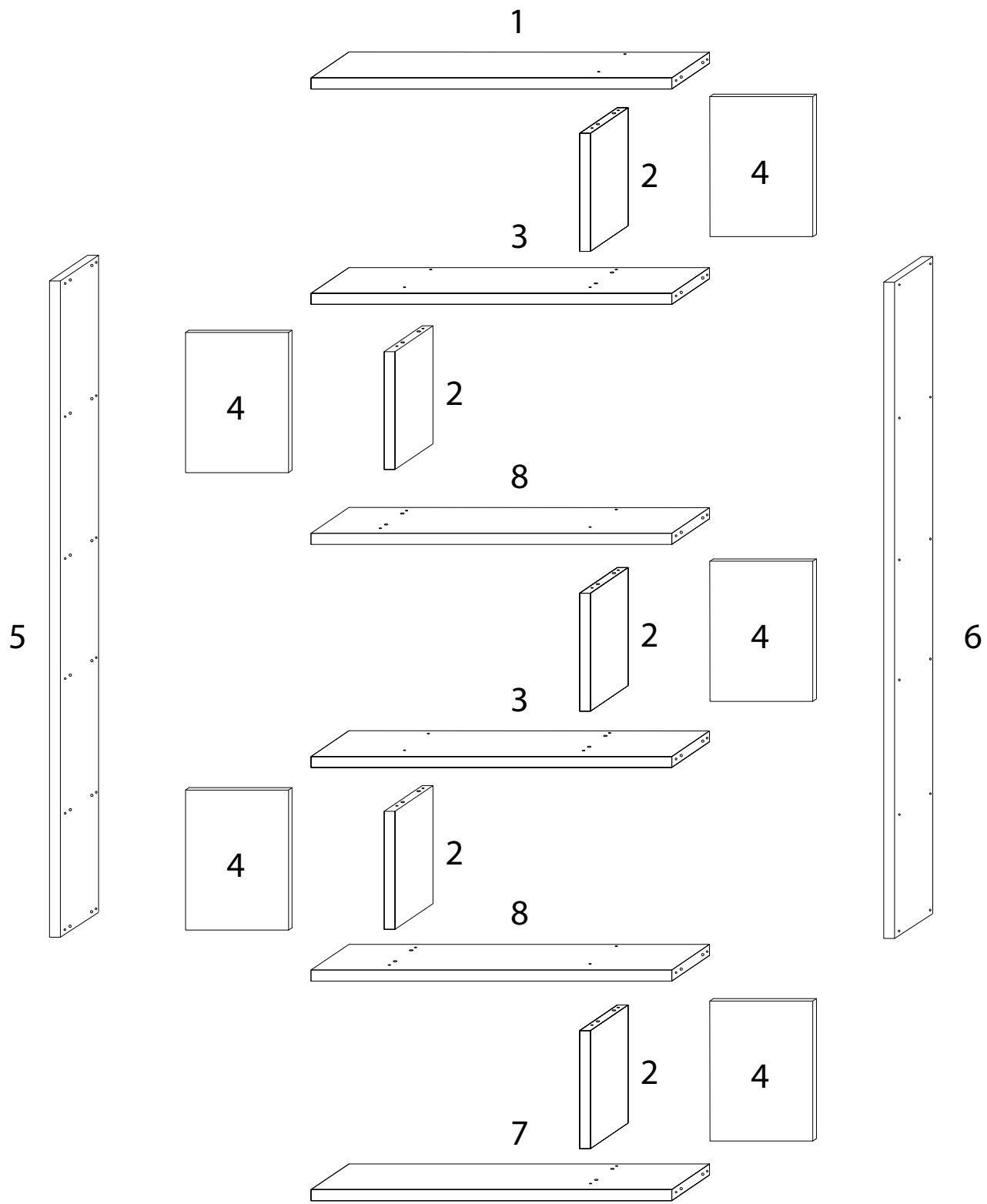
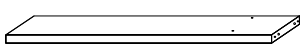
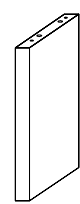
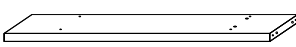
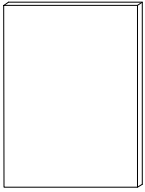


60'



2



1	2	3	4
 <p>x 1</p>	 <p>x 5</p>	 <p>x 2</p>	 <p>x 5</p>

5



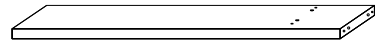
x 1

6



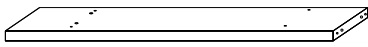
x 1

7



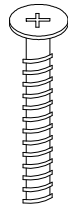
x 1

8



x 2

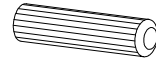
A



5
x
40

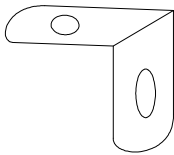
x 44

B



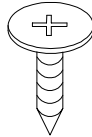
x 44

C1



x 1

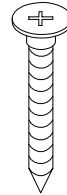
C2



3.5
x
14

x 1

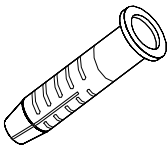
C3



4
x
35

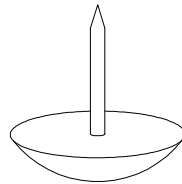
x 1

C4



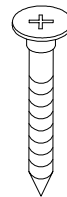
x 1

D



x 4

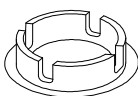
E



2
x
21

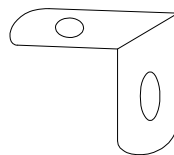
x 30

F



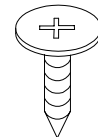
x 44

G1



x 4

G2



3.5
x
14

x 8

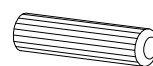
1 x 5

2

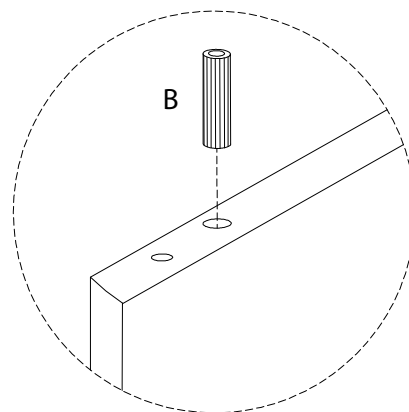
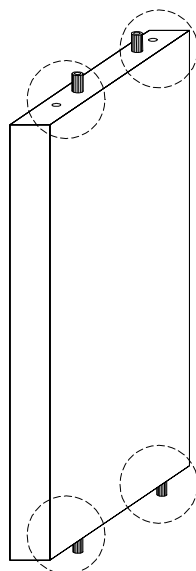


x1

B

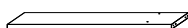


x4



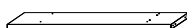
2

1



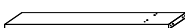
x1

3



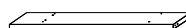
x2

7



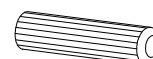
x1

8

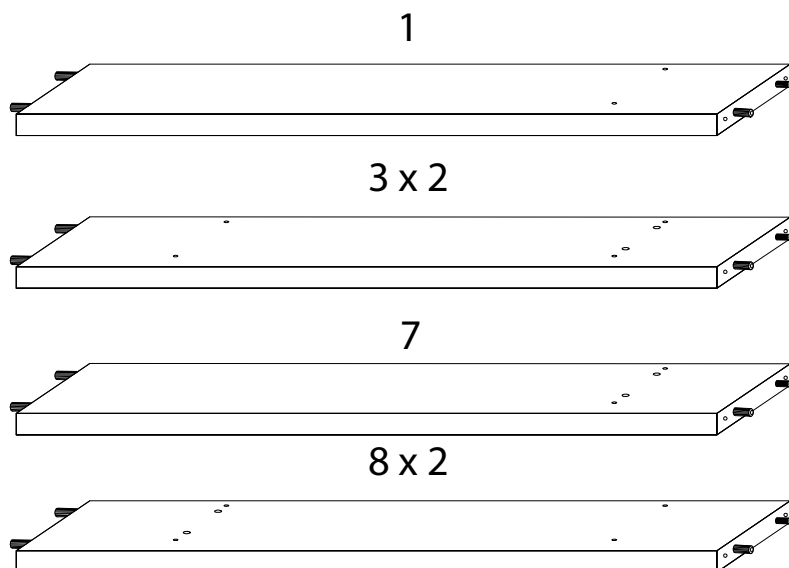


x2

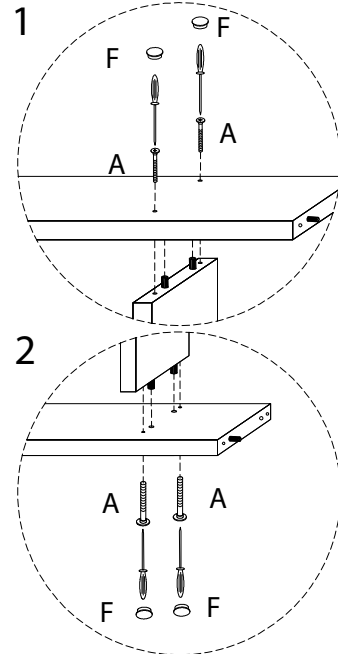
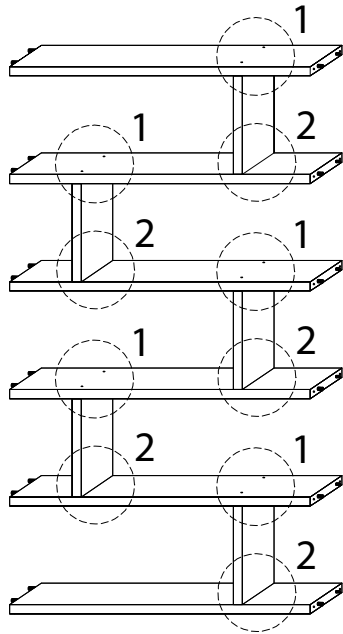
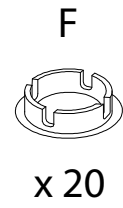
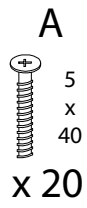
B



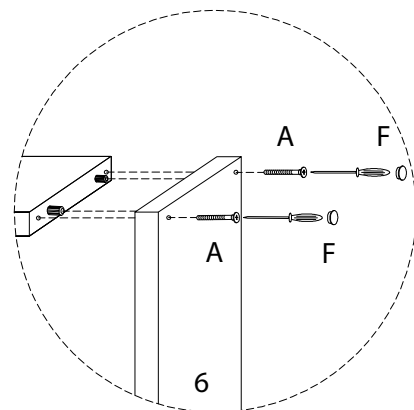
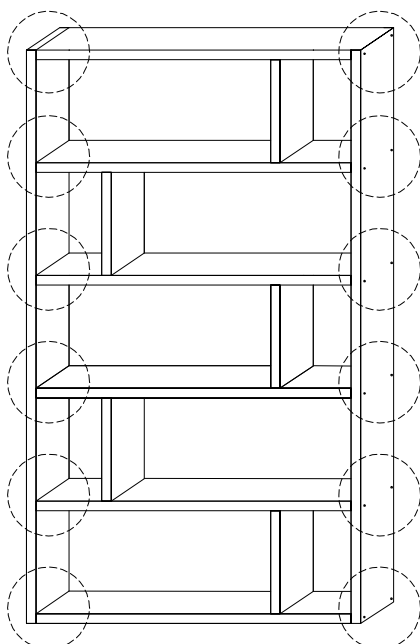
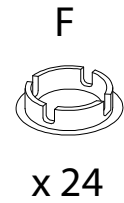
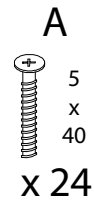
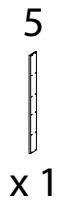
x24



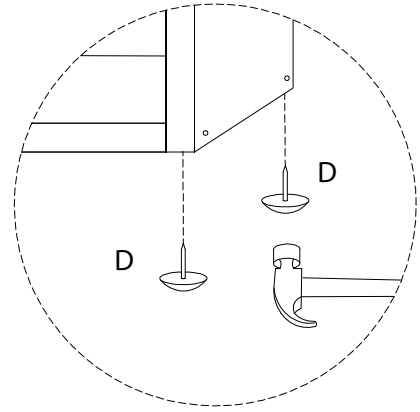
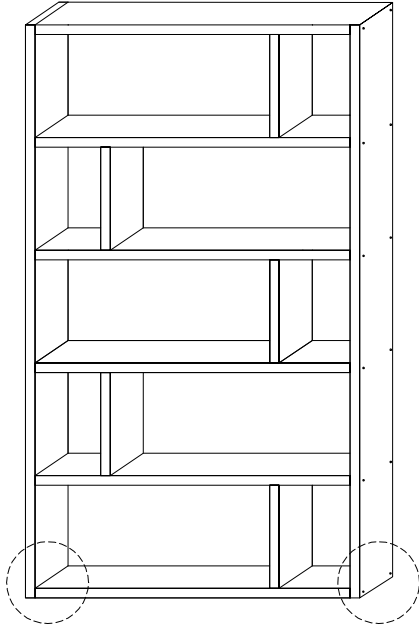
3



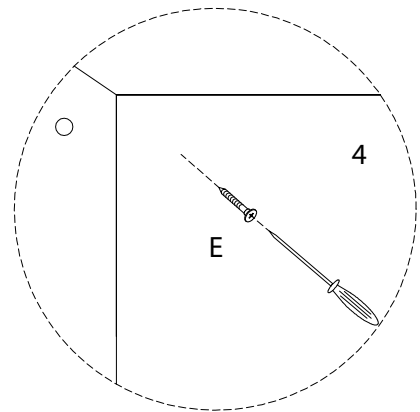
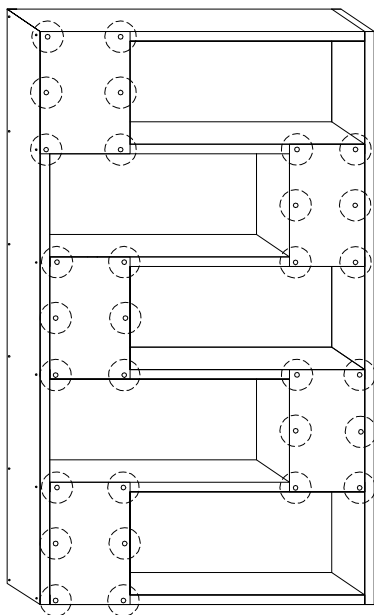
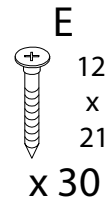
4



5

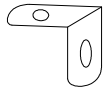


6



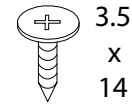
7

G1

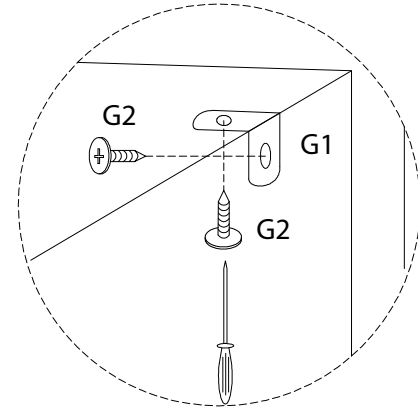
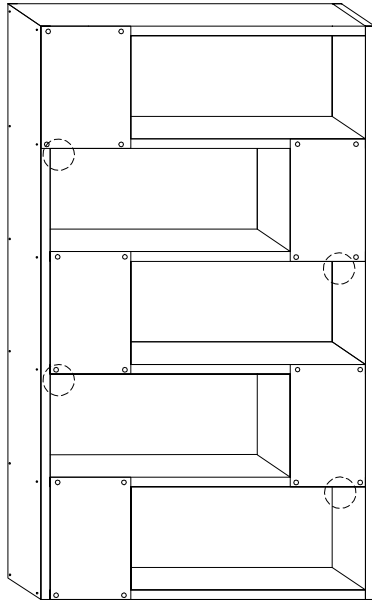


x 4

G2

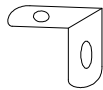


x 8



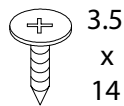
8

C1



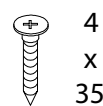
x 1

C2



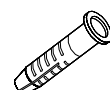
x 1

C3

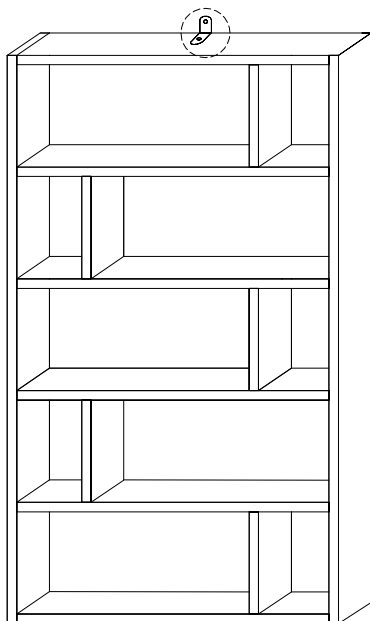


x 1

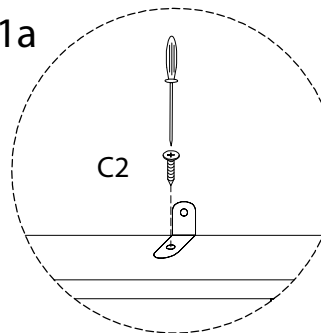
C4



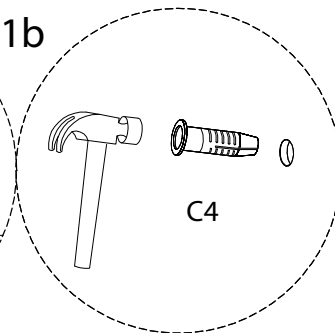
x 1



1a



1b



1c

