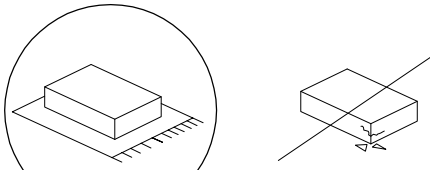
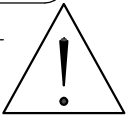
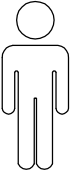
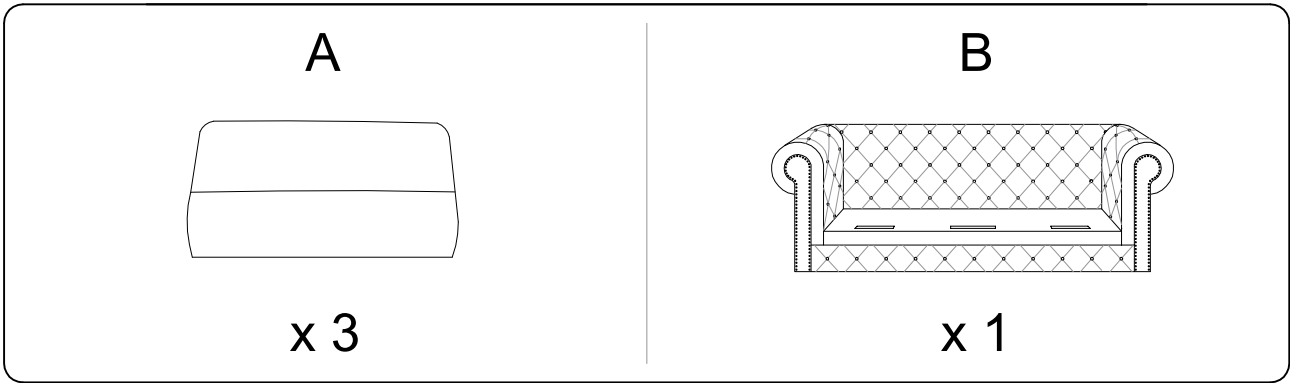
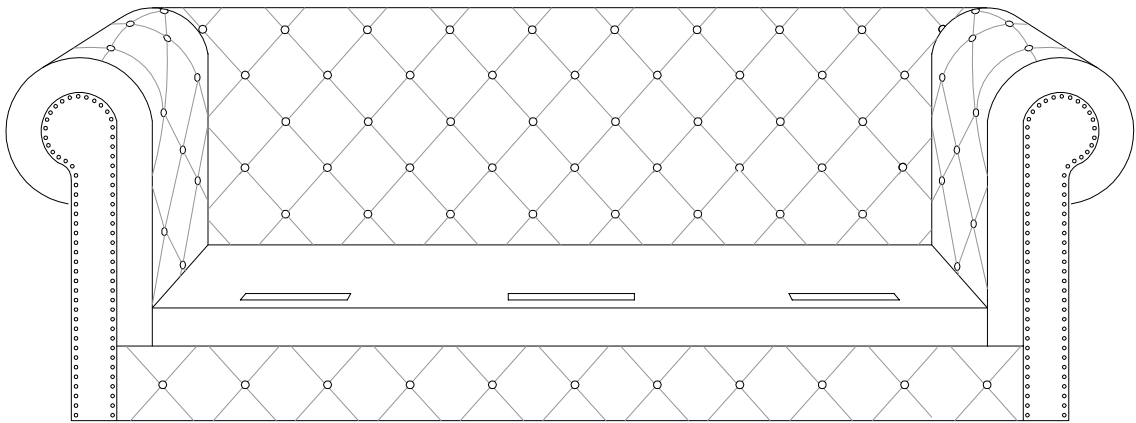

		<b>15'</b>
		
		<b>2</b>



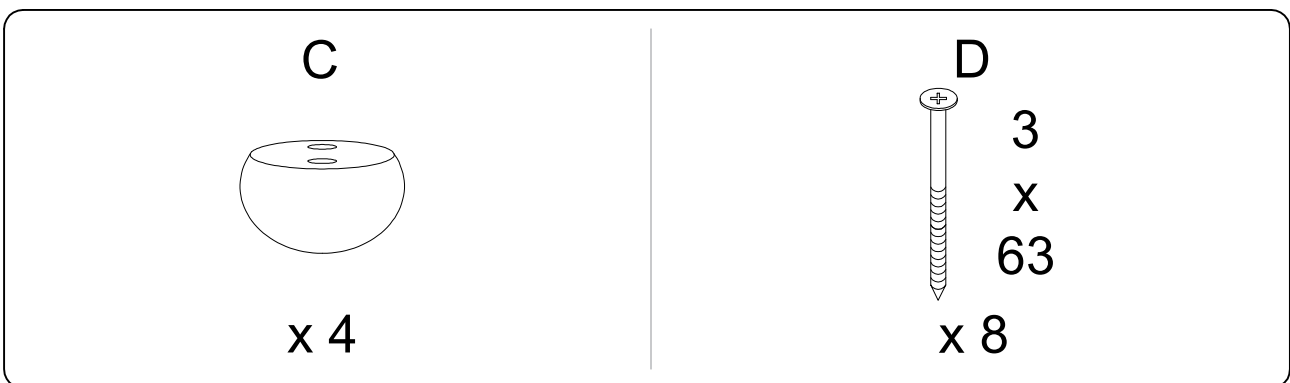
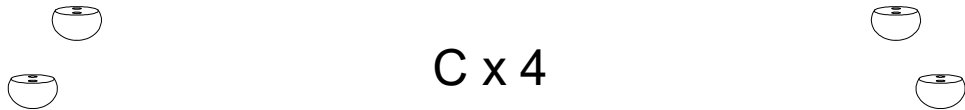
**A x 3**



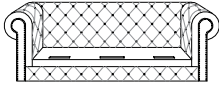

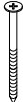
**B**

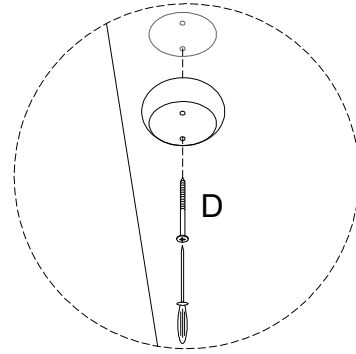
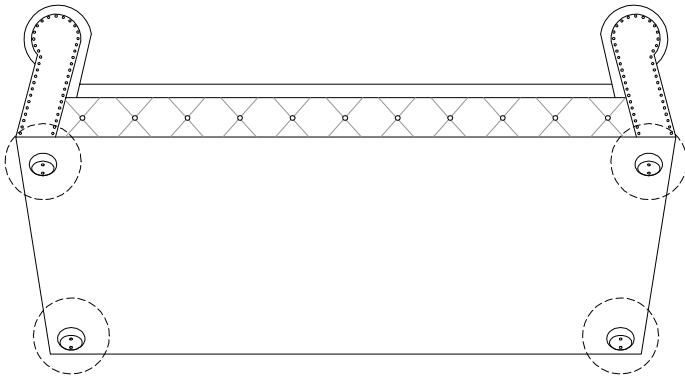


**C x 4**




1

<b>B</b>  x 1	<b>C</b>  x 4	<b>D</b>  3 x 63 x 8
------------------------------------------------------------------------------------------------------	------------------------------------------------------------------------------------------------------	------------------------------------------------------------------------------------------------------------------------



2

<b>A</b>  x 3
--------------------------------------------------------------------------------------------------------

