



WWW.QAZQA.COM

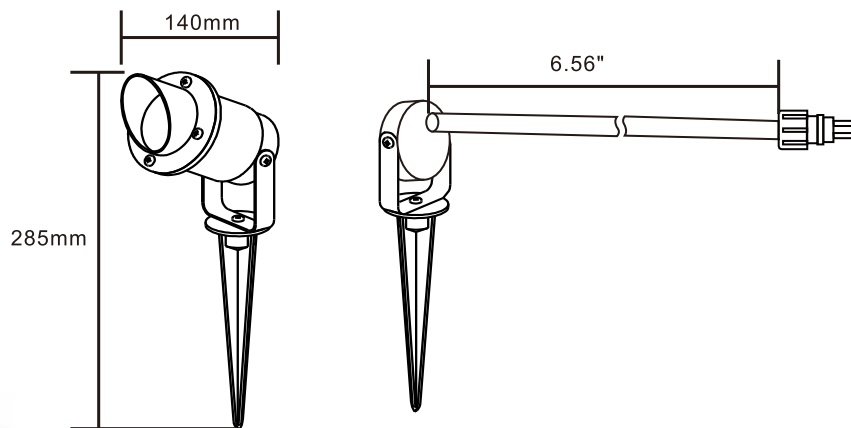
# 43622 MANUAL

## Forward

Thank you for choosing our 43620 lawn lamp. Before installation and use of this light, we highly recommend that you read through this manual carefully. Do not install this spot light if it is in a damaged or broken condition upon arrival. If you have received this product and it is damaged, please report this to the retailer immediately.

## Technical Specs:

Item No.	Light source	Protection gr	Working power	Material
43622	GU10,50W Halogen light source	IP65	220~240V AC	Die-casting aluminum



## Safety Warnings

1. Please do not install this fixture near intense magnetic or high-voltage fields.
2. To reduce the risk of component damage and fire cause by a short-circuit, ensure all connections are safely and securely connected.
3. Always ensure that this unit is mounted in an area with the correct amount of ventilation this is so the fitting stays at the optimal running temperature. (See Technical Specifications)
4. Please check that the input voltage is suited to the lighting fitment you have purchased and that the bulb is also the correct type for the fitment you have.
5. Do not, under any circumstances connect this fitting with the power on; turn off and isolate the power before attempting any fitting of this lamp fixture.
6. Please do not attempt any repairs of the fitting yourself; doing so will void your manufactures warranty

## After-sales Service

Every lighting product that is produced comes with a 1 Year Warranty as standard. As long as the product is used in accordance with the instructions provided, any problems that occur during correct use will be addressed and corrected free of charge, bar the following exceptions:

1. Any damage or defects caused by improper use or wrongly operating the product.
2. Any damages caused by the unauthorised removal of parts, unauthorised maintenance, modifying circuits, incorrect connections and replacing parts on your own.
3. Any damages caused by transportation, vibrations etc after the product has been received.
4. Any damages caused by earthquakes, fires, lightning strikes, pollution, abnormal voltages or flooding.
5. Any damages caused by negligence, inappropriate storing in high/low temperatures, humid environments or near harmful/damaging chemical's.
6. If the product has been modified to any updated version (i.e. changing the circuit board)