








MODEL: KARLA QUEEN BED (13 PCS LVL SLATS)

Read this instruction carefully. See hardware and furniture part list for guidance. Be sure all part is complete, before you assemble. Place all wooden furniture part on a clean and flat soft surface to prevent from being scratched. Follow the figure to start assembling.

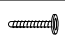
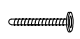
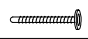



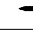



CAUTION:

1. Do not FULLY-TIGHTEN the nut or bolt untill all nut or nut bolt is ready to assembled.
2. Do not OVER-TIGHTEN the nut or nut bolt to avoid causing damages to the thread.
3. Keep all hardware part out of reach of children.

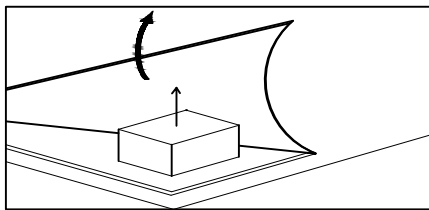
**PART LIST**

NO	DESCRIPTION	QTY
1	HEADBOARD 	1 PC
2	FOOTBOARD 	1 PC
3	SIDE RAIL 	2 PCS
4	CENTER RAIL 	1 PC
5	LVL SLATS 	13 PCS
6	SUPPORT LEG 	3 PCS
7	BED LEG 	4 PCS

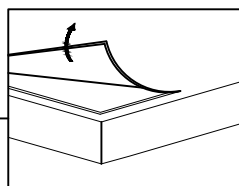
**HARDWARE LIST**

NO	DESCRIPTION	QTY
A	JCBB M8 X 40MM 	8PCS
B	JCBC M6 X 25 MM 	8PCS
C	JCBC M6 X 50MM 	6PCS
D	SPRING WASHER 5/16" 	22PCS
E	FLAT WASHER 5/16" 	16PCS
F	FLAT WASHER 1/4" 	6PCS
G	CSK M4 X 20MM 	16PCS
H	CSK M4 X 30MM 	33PCS
I	ALLEN KEY M4 	1PC
J	ALLEN KEY M5 	1PC

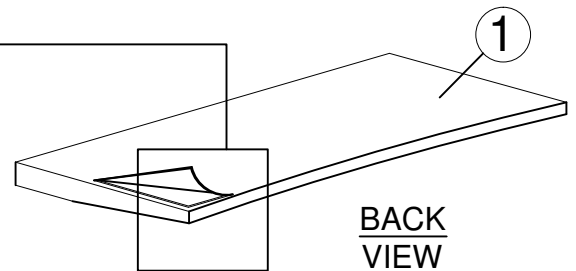
**STEP 1**



TAKE OUT THE INNER BOX FOR THE METAL LEG

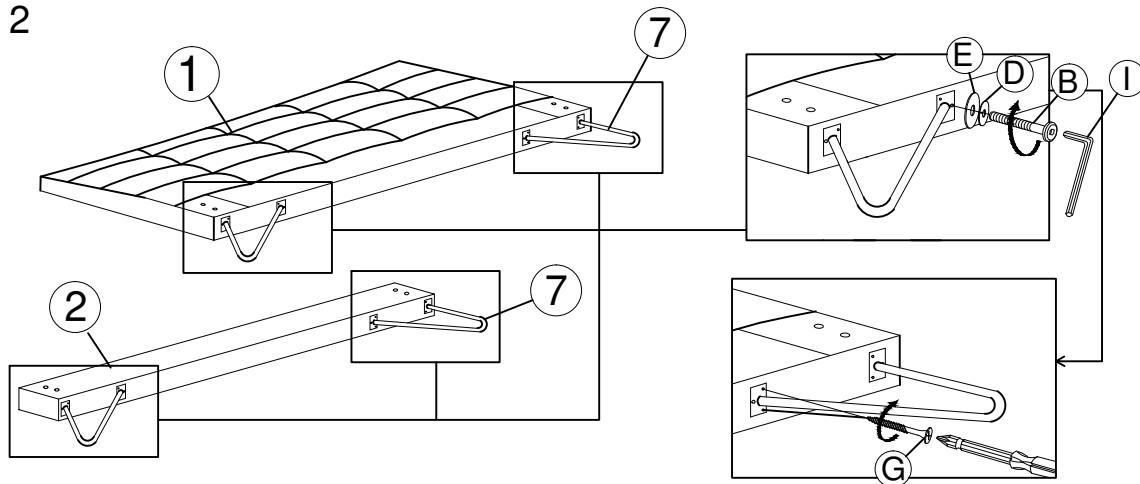


OPEN THE NON-WOOVEN COVER

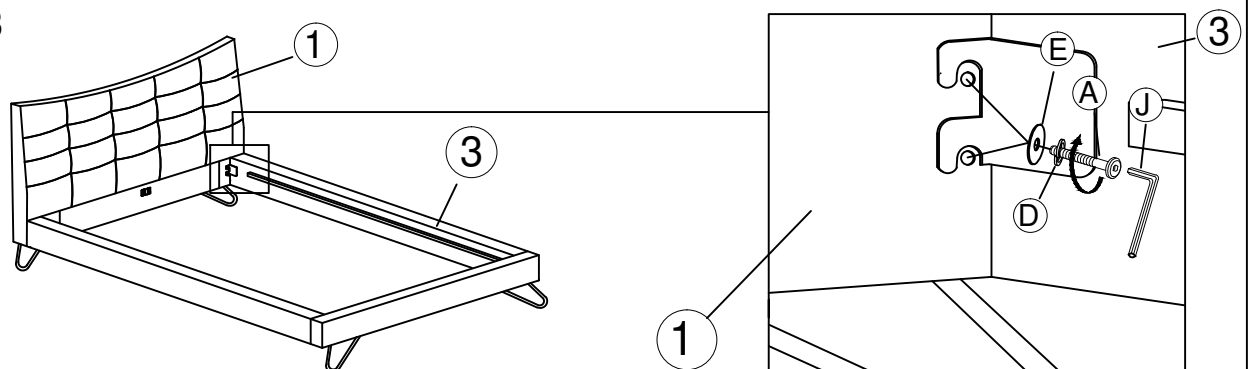


BACK VIEW

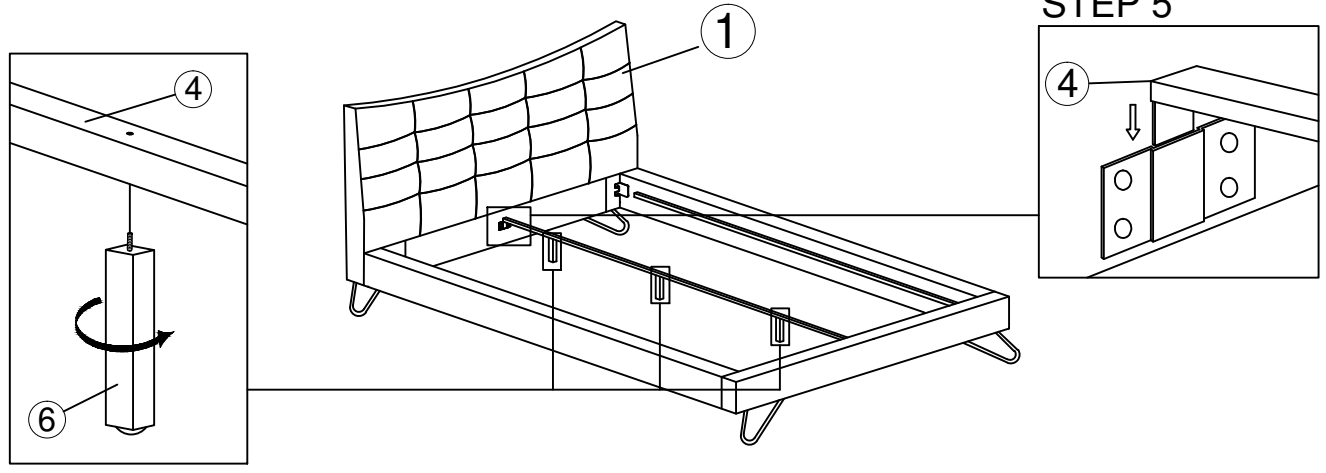
**STEP 2**



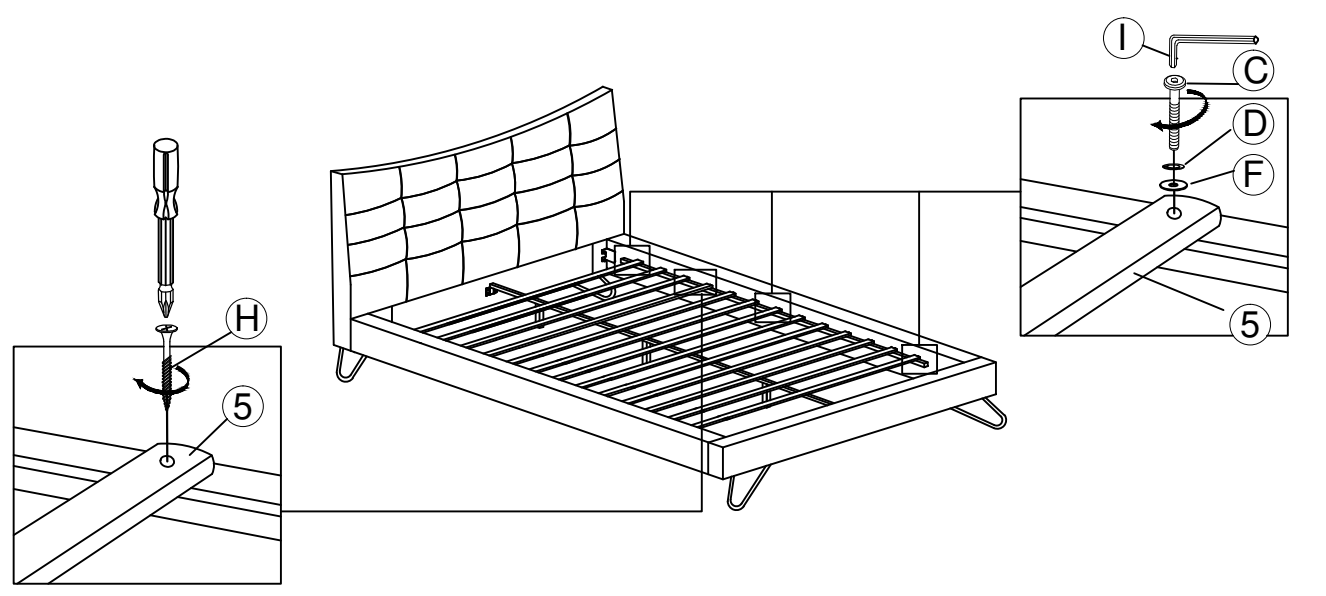
**STEP 3**



STEP 4



STEP 6



STEP 7

