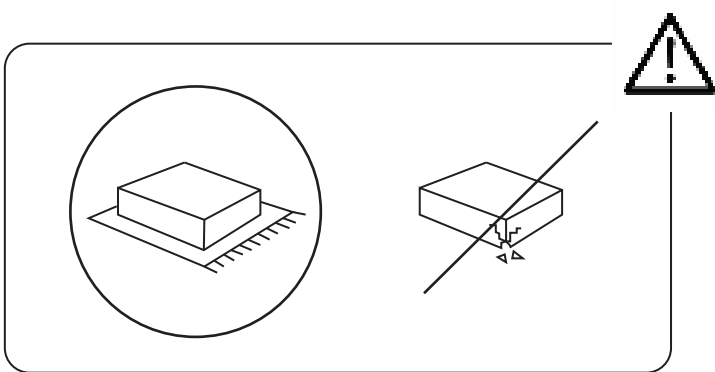
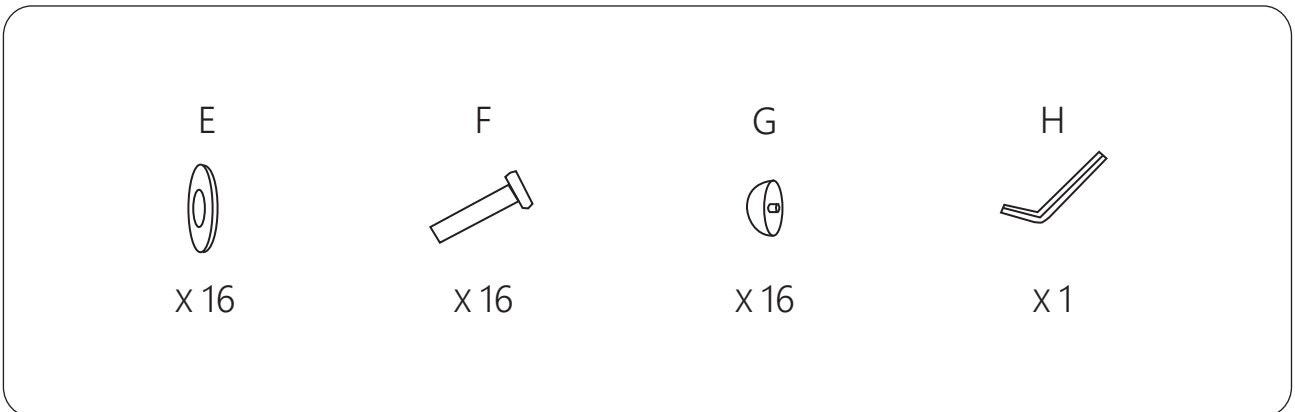
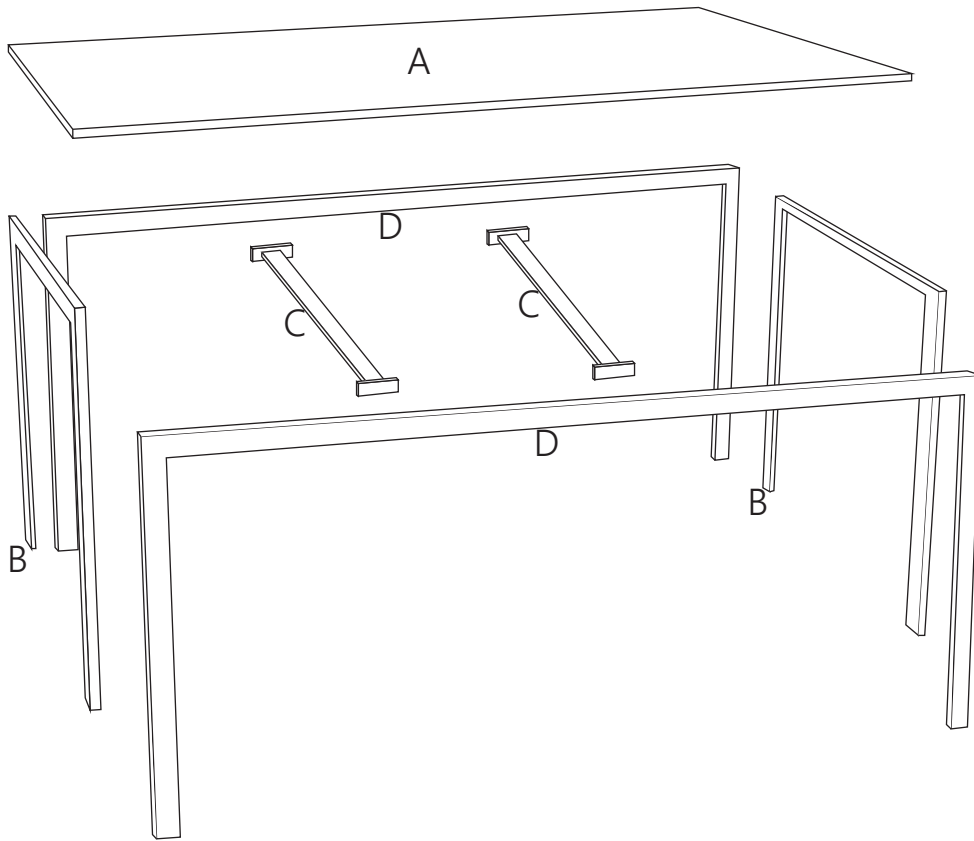
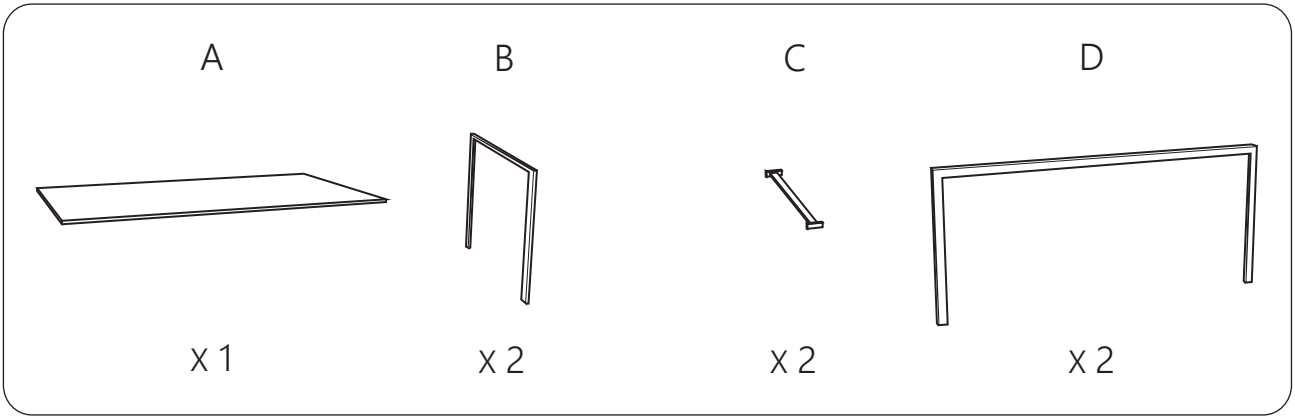


30'

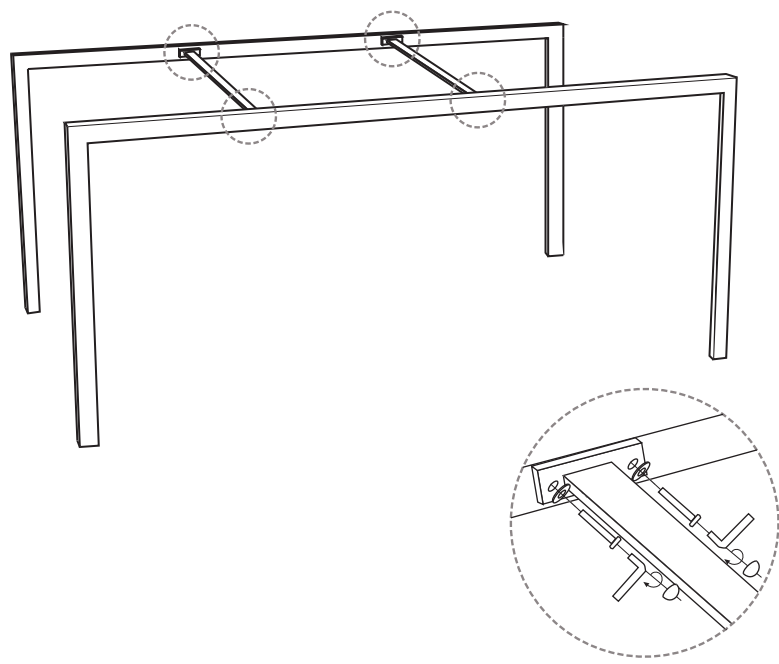


2



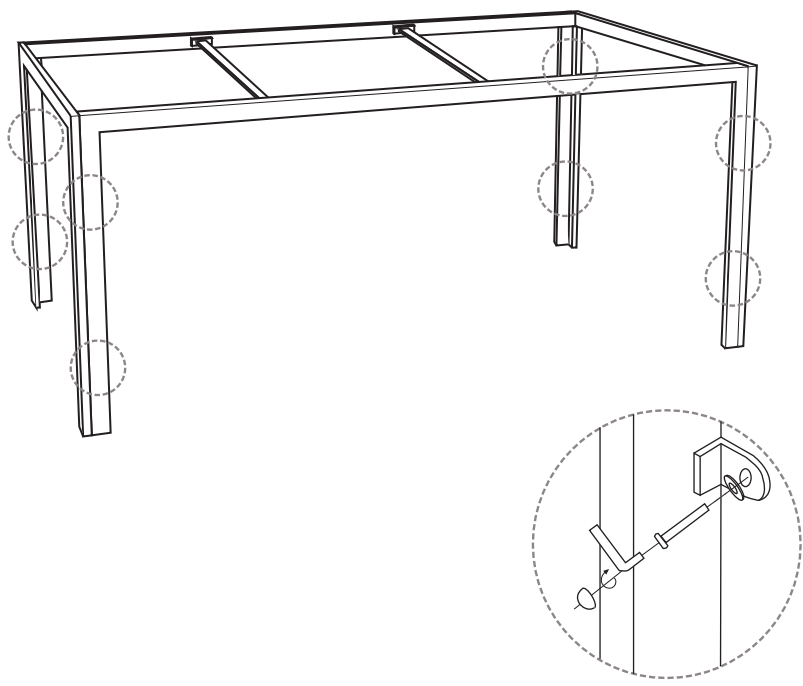
1

 D_{x2}  C_{x2}  E_{x8}  G_{x8}  F_{x8}  H_{x1}



2

 B_{x2}  E_{x8}  G_{x8}  F_{x8}  H_{x1}



3

 Ax1

