

# IR Control 10 XTRA™



**USER MANUAL 3**

**GEBRAUCHSANLEITUNG 13**

**GUIDE UTILISATEUR 23**

**MODO DE EMPLEO 33**

**MANUALE D'ISTRUZIONI 43**

**GEBRUIKSAANWIJZING 53**



# SAFETY WARNINGS

- To prevent short circuits, this product should only be used inside and only in dry spaces. Do not expose the components to rain or moisture. Do not use the product close to a bath, swimming pool etc.
- Do not expose the components of your systems to extremely high temperatures or bright light sources.
- In case of improper usage or if you have altered and repaired the product yourself, all guarantees expire. Marmitek does not accept responsibility in the case of improper usage of the product or when the product is used for purposes other than specified. Marmitek does not accept responsibility for additional damage other than covered by the legal product responsibility.
- This product is not a toy. Keep out of reach of children.
- Do not open the product: the device may contain live parts. The product should only be repaired or serviced by a qualified expert.
- Only connect the adapter to the mains after checking whether the mains voltage is the same as the values on the identification tags. Never connect an adapter or power cord when it is damaged. In that case, contact your supplier.

# TABLE OF CONTENTS

1. INTRODUCTION.....	4
2. CONTENTS OF THE PACKAGE.....	4
3. HOW IT WORKS.....	4
4. CONNECTIONS.....	5
4.1 IR Input.....	5
4.2 POWER Input.....	6
4.3 IR Output.....	6
5. INSTALLATION.....	6
5.1 Locating the IR Receiver.....	6
5.2 Placing the IR extension cable with one blaster LED .....	6
5.3 Installation of the IR extension cable with emitter LEDs .....	7
5.4 Locating the IR Module .....	8
5.5 Connecting the IR Module.....	8
5.6 Perform a function test of the product .....	8
6. ADVANCED INSTALLATION.....	9
6.1 Connecting multiple IR receivers .....	9
6.2 Extend the cable length of the IR receiver .....	9
6.3 Connecting AVR connection cable.....	9
7. FREQUENTLY ASKED QUESTIONS.....	10
8. TECHNICAL DATA .....	11
9. OPTIONAL .....	12

# 1. INTRODUCTION

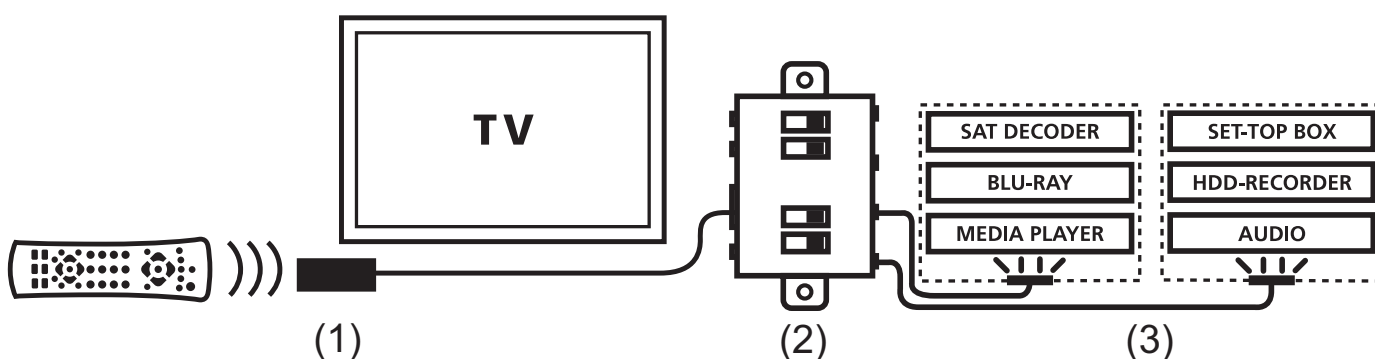
Congratulations on your purchase of the IR Control 10 XTRA™. With it you can extend the IR (infrared) signals of remote controls. The IR Control 10 XTRA™ makes it possible to operate A/V devices while these are in a closed cupboard or when your A/V equipment is out of sight.

## 2. CONTENTS OF THE PACKAGE

- 1 x IR Module
- 1 x IR Receiver
- 2 x IR Extension cable with one IR blaster LED
- 1 x IR Extension cable with two IR emitter LEDs
- 1 x AVR connection cable
- 1 x Power adaptor
- 1 x Manual

## 3. HOW IT WORKS

Locate your A/V equipment in a closed cupboard, TV cabinet or even in another room. The IR receiver must be installed in view of your own remote control. Stick the IR blaster LED wherever you want in the cabinet and conceals the IR main module neatly. Point the remote control at the IR receiver in order to send the appropriate command to the IR LEDs (via the IR main module). These will then immediately pass this onto the A/V equipment.



The IR Control 10 XTRA™ is made up of three main components;

### (1) IR Receiver

The IR Receiver receives infrared commands from your remote control and sends these onto the IR Module.

### (2) IR Module

The IR Module receives infrared commands from the IR Receiver, processes them and sends them onto all connected IR Extender Cables.

### (3) IR extension cable with two emitter LEDs or one blaster LED

The IR extension cable receives the infrared commands from the IR Module and converts them via the IR LEDs or IR blasters into infrared signals. The IR emitter LEDs have a limited range and therefore they have to be stuck accurately on the IR receiver window of the AV device you want to operate. An IR blaster LED radiates much more infrared light (even up to 2 meters) so it easily can operate multiple devices and therefore placing can be less accurate.

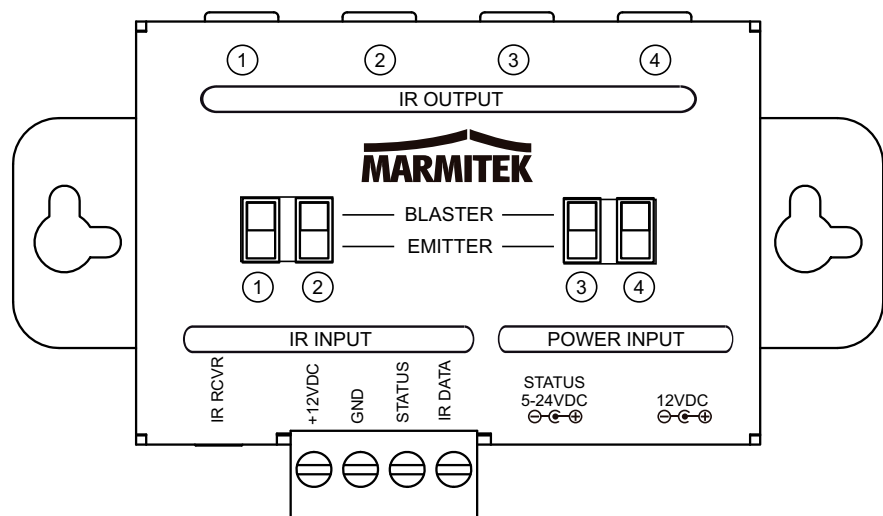
## 4. CONNECTIONS

The IR Module is the main component that connects IR Receivers, the power adapter and IR Extender Cables to one another. All of the IR Module connections are now explained so that you can get the most out of all of the options available.

### 4.1 IR Input

**IR RCVR:** standard IR input (3.5mm jack) for the enclosed IR Receiver

**SCREW TERMINAL:** IR input for connecting up to 6 IR Receivers in parallel.



+12VDC: Red    GND: Black    STATUS: Yellow    IR DATA: White

## 4.2 POWER Input

**12VDC:** Power adapter for the IR Module (enclosed), 5VDC/200mA

**STATUS:** Power adapter for the status signal (not enclosed), 5-24VDC or 5-12VAC

## 4.3 IR Output

**1 – 4:** four mini jack outputs for connecting the IR extension cables.

**EMITTER / BLASTER:** every output can be switched separately for connecting blaster or emitter LEDs.

# 5. INSTALLATION

In order to check that the system works correctly, it is advisable to first test the set-up you had in mind. To do so, connect everything as described below but do not stick the components securely.

## 5.1 Locating the IR Receiver

Place the very small IR Receiver in a way that it is visible for your (infrared) remote control and it can receive the sent commands (max. 10 meters).

- The most logical location for the IR receiver is, for example, on the cabinet in which the A/V equipment is located or near the TV.
- You can run the cable underneath or behind, using the notch at the back of the IR receiver housing; this allows the cable to be hidden easily.
- Use the self-adhesive strip which is supplied to locate the IR receiver just about anywhere you please.
- Experiment with the location before you stick the IR receiver in its final position.

**Note!** The sticky strip may lead to discolouration or leave glue residues on certain surfaces.

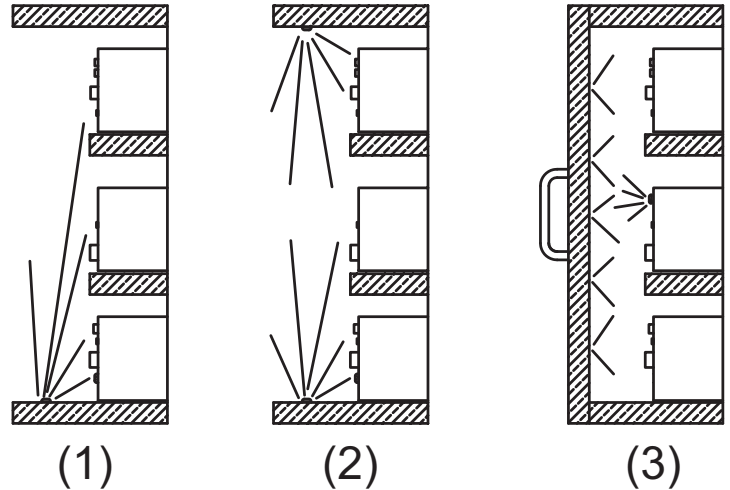
## 5.2 Placing the IR extension cable with one blaster LED

Marmitek recommends the use of IR blaster LEDs because they can operate multiple A/V devices at the same time and they are very easy to install. Use

the supplied IR extension cable with emitter LEDs only as solution if one or more devices cannot be operated (see chapter 5.3).

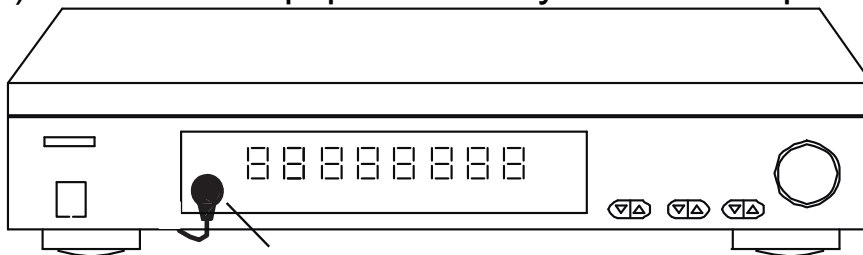
Place the IR blaster LED in the cabinet of the A/V devices you want to operate.

- With a correct placement one blaster LED can operate all A/V devices placed in the same compartment.
- In some situations it is necessary to place a second blaster LED if not all A/V devices can be operated with one blaster LED.
- Or you place the blaster LED on one of the A/V devices in the middle of the cabinet and the other equipment will be operated as well by the reflection of the infrared signal.



## 5.3 Installation of the IR extension cable with emitter LEDs (as problem solution)

Place the LEDs from the IR extender cable precisely on the IR window (infrared sensor) on the A/V equipment that you wish to operate.



- Ensure that the IR extender cable's LEDs are stuck precisely on the A/V device's infrared sensor (this can be extremely accurate on some devices). The exact position can easily be located by shining a torch on the front panel and looking for the IR sensor window.
- All IR LEDs include self-adhesive film with which they are attached to your A/V equipment.
- Test the position and the performance of the IR LEDs before you secure them to the IR window on your A/V equipment.
- If you use only one of the two LED's, leave the other IR LED unused. Never remove it from the extension cable!

## 5.4 Locating the IR Module

Mount the IR Module at an accessible place behind or alongside your A/V equipment, in the vicinity of an electrical socket.

- Be aware of the cable length of the IR LEDs and the IR receiver.
- Make sure the connections for installation remain accessible.

## 5.5 Connecting the IR Module

1. Connect the installed IR extension cables to the 'IR OUT' connector of the IR Module.
2. Switch only the switches of the IR Module in BLASTER mode if an IR extension cable with one blaster LED is connected. In any other case, leave the switch in the EMITTER mode.  
NOTE: a wrong choice between the two possibilities can cause damage to the IR LEDs and they can even become defective.
3. Connect the installed IR receiver cable to the 'IR RCVR' connector of the IR Module.
4. Connect the power adapter to the '12VDC' connector of the IR Module and connect it to the mains.

## 5.6 Perform a function test of the product

1. If the IR Control 10 XTRA™ is properly connected, the light on the IR receiver flashes if you push a button on the (infrared) remote control and aim it towards the IR receiver.
2. Close the doors of your cabinet and make sure the A/V equipment cannot receive an infrared command directly from the remote control. Otherwise this could lead to operating problems.
3. You can now operate your A/V equipment via the IR Control 10 XTRA™ through the closed cabinet doors!

If the IR Control 10 XTRA is not reacting in a correct way, try experimenting with the placement of the IR receiver and/or IR extension cables (emitter or blaster). Placing it somewhere else could give a better result.



## 6. ADVANCED INSTALLATION

### 6.1 Connecting multiple IR receivers

If you want to operate your A/V equipment from multiple rooms, you can connect up to 6 IR receivers in parallel to the IR module. Cut therefore the standard connector of the IR receiver and connect it to the SCREW TERMINAL of the IR module (see paragraph 4.1).

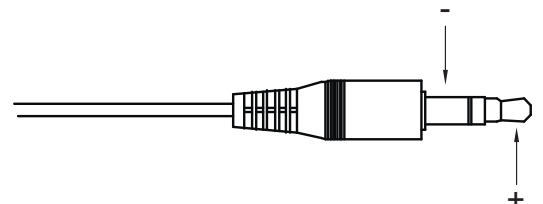
### 6.2 Extend the cable length of the IR receiver

Only the cables between the IR receiver and the IR module can be extended. The IR cables with emitter or blaster LEDs cannot be extended. Place the IR module as close as possible to your A/V equipment and extend the cable between the IR receiver and the IR module if needed to a maximum of 300 meters with CAT5 cable (or equal). Cut the standard 3.5mm connector off the IR receiver cable and extend the cable according to the example below.

IR receiver	CAT5 cable	IR module
Red	Orange	+12VDC
Black	Blue	GND
Yellow	Green	STATUS
White	Brown	IR DATA

### 6.3 Connecting AVR connection cable

A/V equipment from different brands (for instance Denon, Yamaha, Onkyo, Marantz, etc) have a direct “IR IN” connector at the back. A direct connection with the AVR connection cables is an alternative way of connecting your A/V equipment. The use of an IR extension cable (with emitter or blaster LED) is not necessary here.



**Note;** check the technical documentation of your equipment to decide whether the IR module of the IR control 10 XTRA can be connected directly. Most IR cables use a 3.5mm mono jack connector where the tip is used for the “IR Data” and the sleeve for “GND”.

# 7. FREQUENTLY ASKED QUESTIONS

**The A/V equipment does not respond to signals from my remote control.**

- The IR receiver has a receiving sensitivity of about 10 metres with an acceptance angle of 90 degrees. Range is also dependent on the remote control used.
- If the 'IR data' light on the IR Receiver is continuously illuminated, the IR receiver is probably being disrupted by another infrared signal. Try to locate the IR receiver so that it encounters as little disruption as possible from, for example, direct sunlight, Flat Screen TVs, (LCD, Plasma, LED), fluorescent lighting or energy-efficient light bulbs.
- The IR receiver does not work with some A/V devices and models that use higher IR frequencies such as Bang & Olufsen (B&O).
- Ensure that the IR receiver and the IR extender cable are correctly connected and that these are plugged in properly.
- Some IR windows from set-top and satellite boxes are very sensitive and are easily disrupted. These devices then receive too much infrared light and will either work badly or not work at all. Relocate the IR LED so that less infrared light is received via the IR window.

Do you have other questions that have not been resolved by the above information? Please go to [www.marmitek.com](http://www.marmitek.com)

## 8. TECHNICAL DATA

### IR receiver

Frequency range:	30-60 KHz
IR reception range:	± 10 meters
IR reception angle:	90° (+45°/-45° from centre)
Cable length:	3 meters, extendable up to 300 meters
IR reception indication:	YES, purple indication LED
Status indication:	YES, green indication LED
Receiver dimensions:	40 x 13 x 11mm

### IR module

Power supply POWER:	100-240VAC 50/60Hz, 12VDC 200mA (supplied)
Power supply STATUS:	5-24VDC / 5-12VAC plug, - 5.5mm outside / + 2.1mm inside (not supplied)
IR input:	1x 3.5mm jack connector, for standard IR receiver 1x screw connector, for up to 6 in parallel connected IR receivers. Extendable up to 300 meters using CAT5 (or equivalent)
IR output:	4x 3.5mm jack plug (mono), switchable for IR extension cables with emitter or blaster LEDs
Dimensions:	95 x 46 x 20mm

### IR extension cable with 1 blaster LED

Connection:	3.5mm jack plug (mono)
IR LEDs:	1x IR blaster LED
Cable length:	3 meters

### IR extension cable with 2 emitter LEDs

Connection:	3.5mm jack plug (mono)
IR LEDs:	2x IR emitter LEDs
Cable length:	3 meters

Specifications may change without prior notice.

# 9. OPTIONAL

## **Extra IR receiver (Art. nr. 08142)**

Every system needs at least one IR receiver (up to 6). With an extra IR receiver you can also operate your A/V devices from another room. See datasheets of the IR receivers at [www.marmitek.com](http://www.marmitek.com)

## **IR extension cable with one blaster LED (Art. nr. 08144)**

An IR blaster radiates much more infrared light (even up to 2 meters) so it can operate multiple devices. Placement of the IR blaster is a lot less critical as opposed to IR LEDs. See datasheets of the IR Blaster LED on [www.marmitek.com](http://www.marmitek.com).

## **IR extension cable with two emitter LEDs (Art. nr. 08145)**

The LEDs of the IR extension cables with 2 emitter LEDs have to be stuck to the A/V device(s) you want to operate. See datasheets of the IR emitter LEDs on [www.marmitek.com](http://www.marmitek.com).



### **Environmental Information for Customers in the European Union**

European Directive 2002/96/EC requires that the equipment bearing this symbol on the product and/or its packaging must not be disposed of with unsorted municipal waste. The symbol indicates that this product should be disposed of separately from regular household waste streams. It is your responsibility to dispose of this and other electric and electronic equipment via designated collection facilities appointed by the government or local authorities. Correct disposal and recycling will help prevent potential negative consequences to the environment and human health. For more detailed information about the disposal of your old equipment, please contact your local authorities, waste disposal service, or the shop where you purchased the product.

# SICHERHEITSHINWEISE

- Um Kurzschluss vorzubeugen, dieses Produkt bitte ausschließlich innerhalb des Hauses und nur in trockenen Räumen nutzen. Setzen Sie die Komponenten nicht Regen oder Feuchtigkeit aus. Nicht neben oder nahe eines Bades, Schwimmbades usw. verwenden.
- Setzen Sie die Komponente Ihres Systems nicht extrem hohen Temperaturen oder starken Lichtquellen aus.
- Bei einer zweckwidrigen Verwendung, selbst angebrachten Veränderungen oder selbst ausgeführten Reparaturen verfallen alle Garantieb Bestimmungen. Marmitek übernimmt bei einer falschen Verwendung des Produkts oder bei einer anderen Verwendung des Produktes als für den vorgesehenen Zweck keinerlei Produkthaftung. Marmitek übernimmt für Folgeschäden keine andere Haftung als die gesetzliche Produkthaftung.
- Dieses Produkt ist kein Spielzeug. Außer Reichweite von Kindern halten.
- Das Produkt niemals öffnen: Das Gerät kann Teile enthalten, worauf lebensgefährliche Stromspannung steht. Überlassen Sie Reparaturen oder Wartung nur Fachleuten.
- Schließen Sie den Netzadapter erst dann an das Stromnetz an, nachdem Sie überprüft haben, ob die Netzspannung mit dem auf dem Typenschild angegebenen Wert übereinstimmt. Schließen Sie niemals einen Netzadapter oder ein Netzkabel an, wenn diese beschädigt sind. In diesem Fall nehmen Sie Kontakt mit Ihrem Lieferanten auf.

# INHALTSVERZEICHNIS

1. EINFÜHRUNG.....	14
2. VERPACKUNGSIHALT .....	14
3. ARBEITSWEISE.....	14
4. ANSCHLÜSSE .....	15
4.1. IR Input .....	15
4.2 POWER Input.....	16
4.3 IR Output.....	16
5. INSTALLATION .....	16
5.1 AUFSTELLUNG DES IR EMPFÄNGERS .....	16
5.2 Anbringung des IR Verlängerungskabels mit einem Blaster LED .....	17
5.3 Installation des IR Verlängerungskabels mit Emitter LEDs .....	17
5.4 INSTALLATION DES IR MODULS .....	18
5,5 Anschluss des IR Moduls .....	18
5.6 Betriebstest des Produkts .....	18
6. VERFEINERTE INSTALLATION .....	19
6.1 Mehrere IR Empfänger anschließen .....	19
6.2 Kabellänge des IR Empfängers verlängern.....	19
6.3 AVR Verbindungskabel anschließen.....	20
7. HÄUFIG GESTELLTE FRAGEN .....	20
8. TECHNISCHE DATEN .....	21
9. ZUSÄTZLICH ERHÄLTlich .....	22

# 1. EINFÜHRUNG

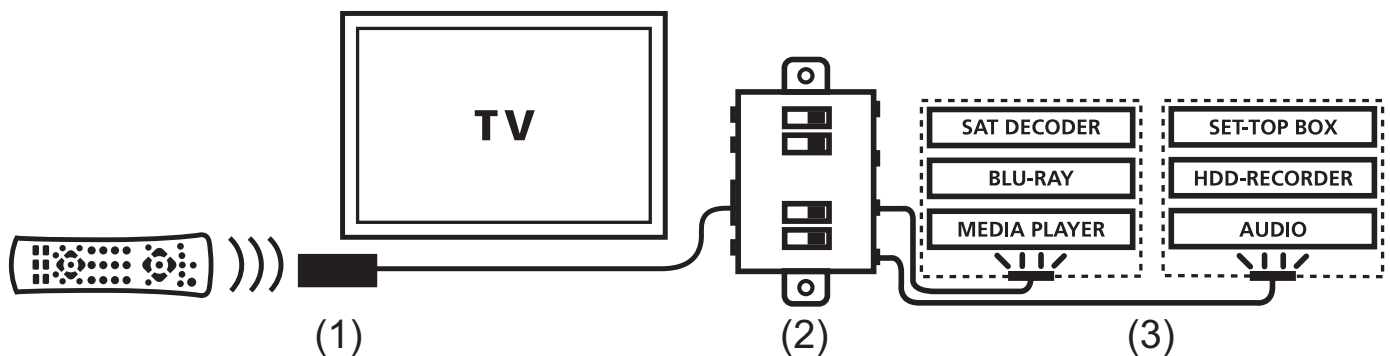
Herzlichen Glückwunsch zum Erwerb des IR Control 10 XTRA™. Mit diesem Set können Sie IR (Infrarot-) Signale von Fernbedienungen verlängern. Das IR Control 10 XTRA™ ermöglicht es A/V Geräte zu bedienen, während diese sich in einem geschlossenen Schrank oder außer Sichtweite befinden.

## 2. VERPACKUNGSINHALT

- 1x IR Modul
- 1x IR Empfänger
- 1x AVR Verbindungskabel
- 2x IR Verlängerungskabel mit einem IR Blaster LED
- 1x IR Verlängerungskabel mit zwei IR Emitter LED's
- 1x Speisungsadapter
- 1x Gebrauchsanleitung

## 3. ARBEITSWEISE

Stellen Sie Ihre A/V Geräte in einen geschlossenen Schrank, Fernsehschrank oder in einen anderen Raum. Der IR Empfänger muss in Sichtweite Ihrer eigenen Fernbedienung installiert werden. Kleben Sie die IR Blaster LED an einen gewünschten Ort im Schrank und verblenden Sie das IR Hauptmodul. Richten Sie die Fernbedienung auf den IR Empfänger, um den gewünschten Befehl (über das IR Hauptmodul) zu den IR LED's zu versenden; wonach diese diesen Infrarot-Befehl direkt an Ihre A/V Geräte weiterleiten.



Das IR Control 10 XTRA™ besteht aus drei Hauptbestandteilen;

### (1) IR Empfänger

Der IR Empfänger fängt Infrarot-Befehle Ihrer eigenen Fernbedienung auf und sendet diese an das IR Modul weiter.

### (2) IR Modul

Das IR Modul empfängt die Infrarot-Befehle vom IR Empfänger, verarbeitet diese und gibt sie an alle angeschlossene IR-Verlängerungskabel weiter.

### (3) IR Verlängerungskabel mit zwei Emitter LED's oder einem Blaster LED

Das IR Verlängerungskabel empfängt die Infrarot-Befehle vom IR Modul und wandelt sie über die IR LED's oder IR Blaster in Infrarotsignale um. Die IR Emitter LED's haben eine begrenzte Reichweite um müssen deshalb präzise auf das IR Fenster des zu bedienenden A/V Gerätes geklebt werden. Ein IR Blaster strahlt viel mehr Infrarotlicht ab (sogar bis über 2 Meter) wodurch dieser leichter mehrere Geräte bedienen kann und Anbringung ungenauer sein darf.

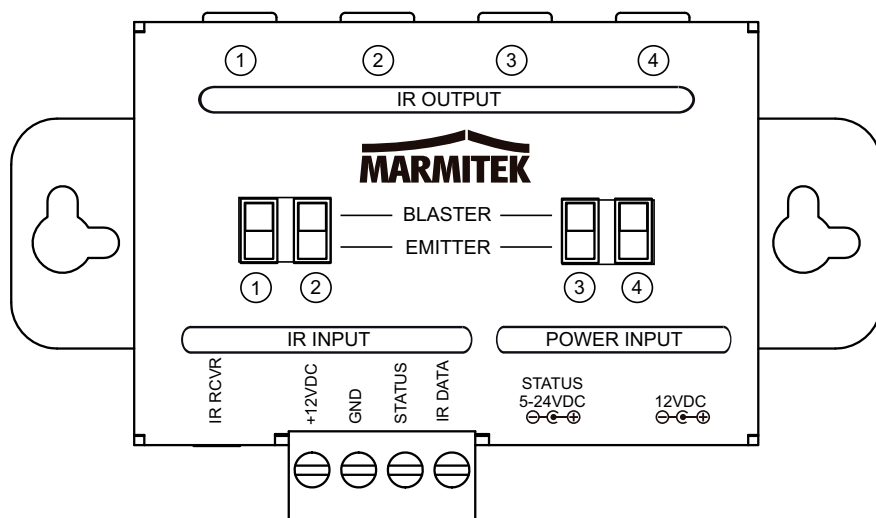
## 4. ANSCHLÜSSE

Das IR Modul ist der Hauptbestandteil der IR Empfänger, Speisungsadapter und IR Verlängerungskabel miteinander verbindet. Um alle Möglichkeiten optimal nutzen zu können, werden nachstehend sämtliche Anschlüsse des IR Moduls erläutert.

### 4.1. IR Input

**IR RCVR:** Regulärer IR Eingang (3.5mm Buchse) für enthaltenen IR Empfänger

**SCHRAUBTERMINAL:** IR Eingang, woran parallel maximal 6 IR Empfänger anschlossen werden können



+12VDC: Rot      GND: Schwarz      STATUS: Gelb      IR DATEN: Weiß

## 4.2 POWER Input

**12VDC:** Speisungsadapter für das IR Modul (enthalten) 5VDC/200mA

**STATUS:** Speisungsadapter für Statussignal (nicht enthalten) 5-24VDC of 5-12VAC

## 4.3 IR Output

**1 – 4:** Vier Mini Buchsenanschlüsse für den Anschluss der IR Verlängerungskabel

**EMITTER / BLASTER:** Jeder Ausgang kann einzeln geschaltet werden, um Blaster oder Emitter LED's anzuschließen.

# 5. INSTALLATION

Zur Kontrolle der Betriebsfähigkeit des Systems empfehlen wir, die von Ihnen geplante Aufstellung zunächst auszuprobieren. Schließen Sie dazu alles wie nachstehend beschrieben an, kleben oder schrauben Sie die Komponenten jedoch noch nicht fest.

## 5.1 AUFSTELLUNG DES IR EMPFÄNGERS

Stellen Sie den äußerst kleinen IR Empfänger in Sichtseite Ihrer (Infrarot) Fernbedienung auf, sodass dieser die übertragenen Befehle empfangen kann (max. 10 Meter).

- Bester Standort für den IR Empfänger wäre beispielsweise auf dem Schrank, in dem sich die A/V Geräte befinden oder in Nähe des Fernsehers.
- Um das Kabel unsichtbar zu verlegen, können Sie es aufgrund der Aussparung im Gehäuse an der Rückseite des IR Empfängers durch die Unter- oder Rückseite führen.
- Der anliegende, selbstklebende Streifen ermöglicht Anbringung an nahezu allen Stellen.
- Ermitteln Sie die richtige Stelle, bevor Sie den IR Empfänger definitiv festkleben.

**Achtung!** Der Klebestreifen kann auf bestimmten Oberflächen eine Verfärbung verursachen oder nach Entfernung Klebereste hinterlassen.

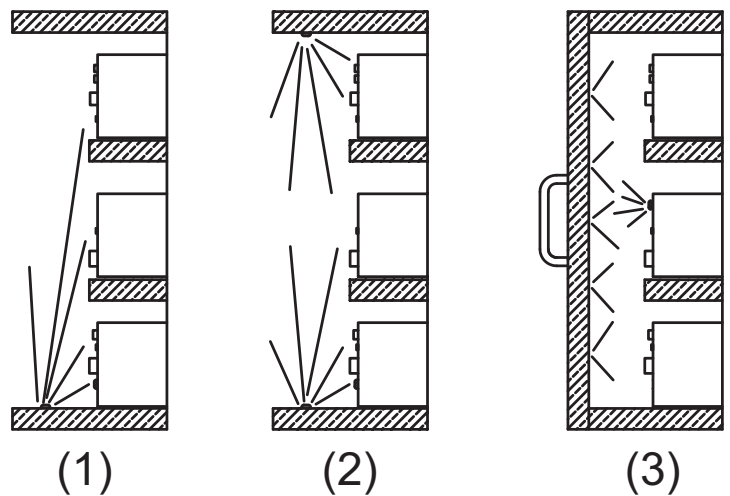


## 5.2 Anbringung des IR Verlängerungskabels mit einem Blaster LED

Marmitek empfiehlt die Verwendung von IR Blaster LEDs weil diese mehrere AV Geräte zugleich bedienen können und Installation kinderleicht ist. Verwenden Sie das enthaltene IR Verlängerungskabel mit Emitter LEDs nur als Problemlösung, wenn ein oder mehr Geräte nicht bedient werden können (sehen Sie Kapitel 5.3).

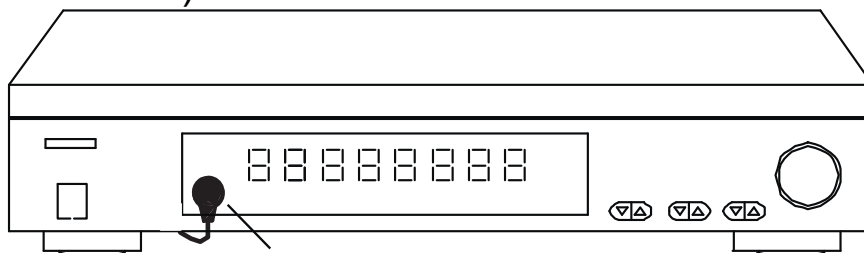
Kleben Sie die IR Blaster LED in den Schrank des A/V Geräts, das Sie bedienen möchten.

- Bei richtiger Anbringung kann ein einziges Blaster LED sämtliche A/V Geräte, die sich im selben Feld befinden, bedienen.
- Wenn nicht alle A/V Geräte mit einem Blaster LED bedient werden können, kann die Anbringung einer zweiten Blaster LED bisweilen notwendig sein.
- Oder Sie bringen die Blaster LED an einem der A/V Geräte mittig des Schrankes an und die übrigen Geräte werden durch Reflexion des Infrarotsignals auch bedient werden.



## 5.3 Installation des IR Verlängerungskabels mit Emitter LEDs (als Problemlöser)

Bringen Sie die LED's des IR Verlängerungskabels akkurat auf dem IR Fenster (Infrarotsensor) der zu bedienenden A/V Geräte an.



- Die LED des IR Verlängerungskabels müssen präzise auf den Infrarotsensor des A/V Geräts geklebt werden; das erfordert große Genauigkeit. Sie finden die genaue Position ganz einfach, indem Sie

mit einer Taschenlampe auf die Frontseite scheinen und das Fenster des IR Sensors suchen.

- Alle IR LEDs haben eine selbstklebende Folie, womit sie auf die IR Fenster Ihrer A/V Geräte befestigt werden.
- Testen Sie zunächst die Position und die Betriebsfähigkeit der IR LED, bevor Sie diese definitiv an das IR Fenster Ihres A/V Geräts kleben.
- Benötigen Sie nur eines der zwei IR LED, lassen Sie die zweite IR LED dann ungebraucht. Entfernen Sie diese niemals vom Verlängerungskabel!

## **5.4 INSTALLATION DES IR MODULS**

Installieren Sie das IR Modul an einen erreichbaren Ort hinter oder neben Ihren A/V Geräten und in Reichweite einer Steckdose.

- Berücksichtigen Sie die Kabellänge der IR LEDs und des IR Empfängers.
- Halten Sie die Anschlüsse für weitere Installationen frei.

## **5,5 Anschluss des IR Moduls**

1. Schließen Sie das installierte IR Verlängerungskabel an den "IR OUT" Anschluss des IR Moduls an.
2. Schalten Sie ausschließlich die Schalter des IR Moduls in die Blaster Position, wenn daran ein IR Verlängerungskabel mit einem Blaster LED angeschlossen ist. Lassen Sie die Schalter in allen anderen Fällen in der EMITTER Position stehen.  
ACHTUNG: Eine falsche Einstellung zwischen diesen zwei Stellungen kann Schäden an den IR LEDs und somit einen Defekt verursachen.
3. Schließen Sie das installierte IR Empfänger kabel an den "IR RCVR" Anschluss des IR Moduls an.
4. Schließen Sie den Speisungsadapter an den "12VDC" Anschluss des IR Moduls an und stecken Sie den Adapter in eine Steckdose.

## **5.6 Betriebstest des Produkts**

1. Nach korrektem Anschluss des IR Control XTRA™ blinkt die Leuchte am IR Empfänger, wenn Sie die Taste der (Infrarot-Fernbedienung) betätigen und Sie dabei auf den IR Empfänger richten.

2. Schließen Sie die Türen Ihres Schrankes und verhindern Sie, dass auch die A/V Geräte unmittelbar von der Fernbedienung ein Infrarot-Kommando empfangen können. Das könnte nämlich zu Bedienungsfehlern führen.
3. Sie können nunmehr Ihre A/V Geräte über die IR Control 10 XTRA durch geschlossene Schranktüren hindurch bedienen!

Experimentieren Sie mit der Anbringung des IR Empfängers oder IR Verlängerungskabels (Emitter oder Blaster), wenn die IR Control 10 XTRA nicht richtig reagiert. Eine andere Anbringung kann zu einem besseren Endergebnis führen.

## 6. VERFEINERTE INSTALLATION

### 6.1 Mehrere IR Empfänger anschließen

Wenn Sie Ihre A/V Geräte aus mehreren Räumen bedienen möchten, können Sie bis zu 6 IR Empfänger parallel zum IR Modul schalten. Trennen Sie dazu den regulären Anschluss des IR Empfängers und schließen Sie diesen an den SCHRAUBTERMINAL des IR Moduls an (sehen Sie Abschnitt 4.1).

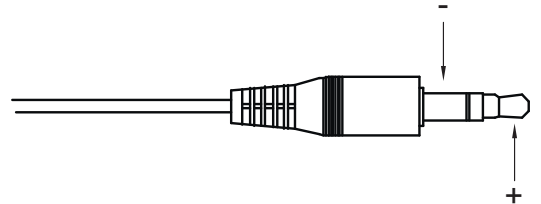
### 6.2 Kabellänge des IR Empfängers verlängern

Nur die Verkabelung zwischen IR Empfänger und IR Modul kann verlängert werden. Die IR Kabel mit Emitter oder Blaster LEDs können nicht verlängert werden. Stellen Sie das IR Modul möglichst nahe Ihrer A/V Geräte auf und verlängern Sie die Verkabelung zwischen IR Empfänger und IR Modul mithilfe eines CAT5 Kabels (oder gleichwertig) wenn nötig bis auf maximal 300 Meter. Trennen Sie den regulären 3,5 mm Anschluss des IR Empfängerkabels und verlängern Sie die Kabel nach nachstehendem Beispiel.

IR Empfänger	CAT5-Kabel	IR Modul
Rot	Orange	+12VDC
Schwarz	Blau	GND
Gelb	Grün	STATUS
Weiß	Braun	IR DATEN

## 6.3 AVR Verbindungskabel anschließen

A/V Geräte verschiedener Marken (z.B. Denon, Yamaha, Onkyo, Marantz, etc) haben an der Rückseite einen direkten "IR IN" Anschluss. Eine direkte Verbindung mit dem AVR Verbindungskabel ist eine alternative Methode zum Anschließen Ihrer A/V Geräte. Die Verwendung eines IR Verlängerungskabels \*mit Emitter oder Blaster LED) ist dann überflüssig.



**Achtung;** Schauen Sie in der technischen Dokumentation Ihrer Geräte nach, ob das IR Modul des IR Control 10 XTRA direkt angeschlossen werden kann. Die meisten IR Kabel verwenden einen 3.5 mm Mono Buchsenanschluss, wobei der Ausgang für die "IR Daten" und der Mantel für "GND" verwendet wird.

## 7. HÄUFIG GESTELLTE FRAGEN

**Die A/V Geräte reagieren nicht auf Signale meiner Fernbedienungen.**

- Der IR Empfänger hat eine Empfangsempfindlichkeit von ca. 10 Metern bei einem 90 Grad Öffnungswinkel. Der Bereich hängt zudem von der verwendeten Fernbedienung ab.
- Leuchtet die "IR Daten" Leuchte am IR Empfänger fortwährend, dann wird der IR Empfänger möglicherweise durch ein Infrarot Störsignal gestört. Achten Sie bei der Aufstellung des IR Empfängers darauf, dass sich zwischen Empfänger und Sender möglichst wenig Störquellen wie direkt einstrahlendes Sonnenlicht, Flachbildfernseher (LCD, Plasma, LED), TL Beleuchtung oder Sparlampen befinden.
- Der IR Empfänger ist mit manchen A/V Geräten und Modellen, die höhere IR Frequenzen nutzen, nicht vereinbar, wie z.B. Bang&Olufsen (B&O).
- Prüfen Sie, ob der IR-Empfänger und das IR-Verlängerungskabel richtig angeschlossen und vollständig eingestöpselt sind.
- Manche IR Fenster von Settop- und Satellit Boxen sind sehr empfindlich. Diese Geräte empfangen bisweilen zu viel Infrarotstrahlung und werden auf Grund dessen nicht oder nur schlecht funktionieren. Versetzen Sie die IR LED, sodass weniger Infrarotlicht über das IR Fenster einstrahlt.

Sie haben noch Fragen, die im Obigen nicht beantwortet wurden?  
Schauen Sie dann unter [www.marmitek.com](http://www.marmitek.com)

# 8. TECHNISCHE DATEN

## IR Empfänger

Frequenzbereich:	30-60 KHz
IR Empfänger Reichweite:	± 10 Meter
IR Empfang Winkel:	90° (+45°/-45° ab Mitte)
Kabellänge:	3 Meter, bis auf 300 Meter zu verlängern
IR Empfänger Anzeige:	Ja, lila Anzeige LED
Statusanzeige:	Ja, grüne Anzeige LED
Maße Empfängerkubus:	40 x 13 x 11mm

## IR Modul

Speisung POWER:	100-240VAC 50/60Hz, 12VC 200mA (enthalten)
Speisung STATUS:	5-24VDC / 5-12VAC Stecker, - 5.5mm außen / + 2.1mm innen (nicht enthalten)
IR Eingang:	1x 3,5mm Buchsenanschluss für regulären IR Empfänger 1 x Schraubenanschluss für maximal 6 parallel angeschlossene IR Empfänger. Zu verlängern bis zu 300 Meter über CAT5 (oder gleichwertig)
IR Ausgang	4x 3,5mm Buchsenstecker (Mono), regulierbar für IR Verlängerungskabel mit Emitter und Blaster LED's
Maße:	95 x 46 x 20mm

## IR Verlängerungskabel mit 1 Blaster LED

Anschluss:	3,5mm Buchsenstecker (Mono)
IR LED's:	1x IR Blaster LED
Kabellänge:	3 Meter

## IR Verlängerungskabel mit 2 Emitter LED's

Anschluss:	3,5mm Buchsenstecker (Mono)
IR LED's:	2x IR Emitter LED's
Kabellänge:	3 Meter

Angaben können ohne vorherige Mitteilung geändert werden.

# 9. ZUSÄTZLICH ERHÄLTlich

## **Extra IR Empfänger (Art.-Nr. 08142)**

Jedes System benötigt mindestens einen IR Empfänger (maximal 6). Mithilfe eines zusätzlichen IR Empfängers können Sie Ihre A/V Geräte auch von einem anderen Raum aus bedienen. Sehen Sie die Datenblätter des IR Empfängers auf [www.marmitek.com](http://www.marmitek.com).

## **IR Verlängerungskabel mit einem Blaster LED (Art.-Nr. 08144)**

Ein IR Blaster strahlt weit mehr Infrarotlicht aus (sogar bis zu 2 Meter) wodurch dieser leichter mehrere Geräte bedienen kann. Aufstellung des IR Blaster kann bezüglich der IR LED's weitaus ungenauer geschehen. Sehen Sie die Datenblätter des IR Empfängers unter [www.marmitek.com](http://www.marmitek.com).

## **IR Verlängerungskabel mit 2 Emitter LED's (Art.-Nr. 08145)**

Die IR Verlängerungskabel mit 1 Emitter LEDs müssen an das A/V Gerät, das Sie bedienen möchten, geklebt werden. Sehen Sie die Datenblätter der IR Emitter LEDs auf [www.marmitek.com](http://www.marmitek.com).



### **Umweltinformation für Kunden innerhalb der Europäischen Union**

Die Europäische Richtlinie 2002/96/EC verlangt, dass technische Ausrüstung, die direkt am Gerät und/oder an der Verpackung mit diesem Symbol versehen ist nicht zusammen mit unsortiertem Gemeindeabfall entsorgt werden darf. Das Symbol weist darauf hin, dass das Produkt von regulärem Haushaltsmüll getrennt entsorgt werden sollte. Es liegt in Ihrer Verantwortung, dieses Gerät und andere elektrische und elektronische Geräte über die dafür zuständigen und von der Regierung oder örtlichen Behörden dazu bestimmten Sammelstellen zu entsorgen. Ordnungsgemäßes Entsorgen und Recyceln trägt dazu bei, potentielle negative Folgen für Umwelt und die menschliche Gesundheit zu vermeiden. Wenn Sie weitere Informationen zur Entsorgung Ihrer Altgeräte benötigen, wenden Sie sich bitte an die örtlichen Behörden oder städtischen Entsorgungsdienste oder an den Händler, bei dem Sie das Produkt erworben haben.

# CONSIGNES DE SÉCURITÉ

- Afin d'éviter un court-circuit, ce produit ne doit être utilisé qu'à l'intérieur et uniquement dans des endroits secs. Ne pas exposer les composants à la pluie ou à l'humidité. Ne pas utiliser à côté ou à proximité d'une baignoire, piscine, etc.
- Ne pas exposer les composants de votre système à des températures extrêmement élevées ou à des sources de lumière trop fortes.
- La garantie n'est plus valable en cas d'usage inapproprié, de modifications ou de réparations effectuées par des personnes non agréées. Marmitek se dégage de toute responsabilité dans le cas d'une utilisation impropre du produit ou d'une utilisation autre que celle pour laquelle le produit est destiné. Marmitek se dégage de toute responsabilité en cas de dommage conséquent, autre que la responsabilité civile du fait des produits.
- Ce produit n'est pas un jouet. Tenir hors de la portée des enfants.
- Ne jamais ouvrir le produit : L'appareil peut contenir des éléments qui sont sous tension très dangereux. Confier les réparations et l'entretien exclusivement à un personnel qualifié.
- Ne brancher l'adaptateur secteur sur le réseau électrique qu'après avoir vérifié que la tension d'alimentation corresponde à la valeur indiquée sur les plaques d'identification. Ne jamais brancher un adaptateur secteur ou un câble d'alimentation lorsque celui-ci est endommagé. Dans ce cas, veuillez contacter votre fournisseur.

## TABLE DES MATIÈRES

1. INTRODUCTION .....	24
2. CONTENU DE L'EMBALLAGE .....	24
3. FONCTIONNEMENT .....	24
4. CONNEXIONS .....	25
4.1 Entrée IR.....	25
4.2 Entrée d'ALIMENTATION .....	26
4.3 Sortie IR.....	26
5. INSTALLATION .....	26
5.1 Installation du récepteur IR.....	26
5.2 Installation du câble d'extension IR avec une LED blaster .....	27
5.3 Installation du Câble d'extension avec des LEDs émetteur .....	27
5.4 Installation du Module IR .....	28
5.5 Connexion du Module IR .....	28
5.6 Testez le fonctionnement du produit.....	28
6. INSTALLATION AVANCÉE.....	29
6.1 Connexion de plusieurs Récepteurs IR.....	29
6.2 Rallonger le câble du Récepteur IR.....	29
6.3 Connecter un câble de connexion AVR .....	29
7. FOIRE AUX QUESTIONS .....	30
8. CARACTÉRISTIQUES TECHNIQUES.....	31
9. DISPONIBLE EN OPTION .....	32

# 1. INTRODUCTION

Merci d'avoir acheté le IR Control 10 XTRA™. Il vous permet de prolonger les signaux IR (infrarouge) des télécommandes. Le IR Control 10 XTRA™ permet de commander des appareils A/V lorsqu'ils sont dans un meuble fermé ou lorsque vos appareils A/V sont hors de vue.

## 2. CONTENU DE L'EMBALLAGE

1x Module IR

1x Récepteur IR

2x Câbles d'extension IR avec une LED blaster IR

1x Câble d'extension IR avec deux LEDs émetteur IR

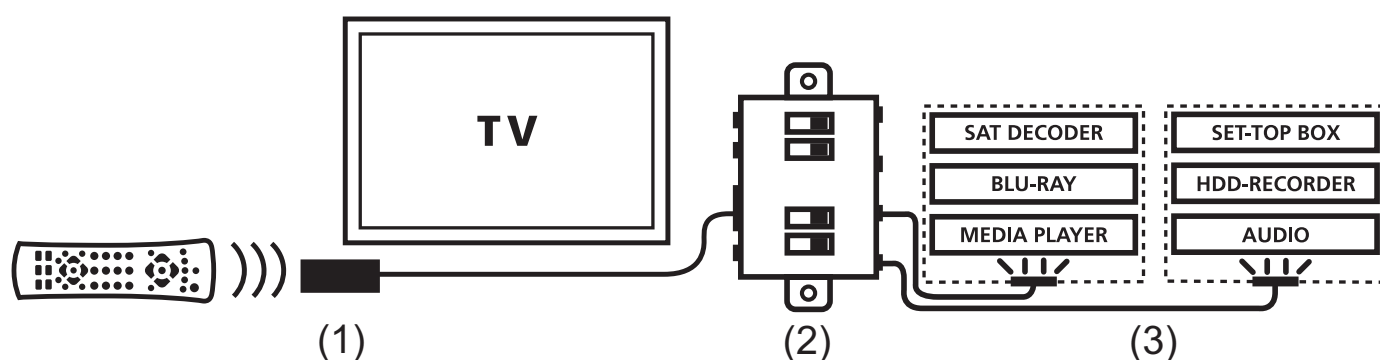
1x Câble de connexion AVR

1x Adaptateur secteur

1x Manuel d'utilisation

## 3. FONCTIONNEMENT

Placez votre appareil A/V dans un meuble fermé ou dans un meuble TV ou même dans une autre pièce. Le récepteur IR doit être installé en vue de votre propre télécommande. Collez la LED blaster IR où vous voulez dans le meuble et dissimulez soigneusement le module IR principal. Dirigez la télécommande vers le récepteur IR afin d'envoyer (par le biais du module IR) l'ordre souhaité vers les LEDs IR. Ces dernières transmettront directement cet ordre infrarouge à vos appareils A/V.





Le IR Control 10 XTRA™ se compose de trois parties principales ;

### (1) Le Récepteur IR

Le Récepteur IR reçoit des ordres infrarouges de votre télécommande et les transmet vers le IR Module.

### (2) Le Module IR

Le Module IR reçoit les ordres infrarouges du récepteur IR, les traite et les transmet vers tous les câbles d'extension IR connectés.

### (3) Câble d'extension IR avec deux LEDs émetteur ou avec une LED blaster

Le câble d'extension IR reçoit les ordres infrarouges du module IR et par le biais des LEDs IR ou des blasters IR il les convertit en signaux infrarouges. Les LEDs émetteur IR ont une portée limitée et c'est pourquoi elles doivent être collées avec précision sur la fenêtre IR de l'appareil qui doit être commandé. Une LED blaster IR émet une plus grande quantité de lumière infrarouge (jusqu'à 2 mètres même) et elle peut ainsi commander facilement plusieurs appareils. Elle peut être donc placée avec moins de précision.

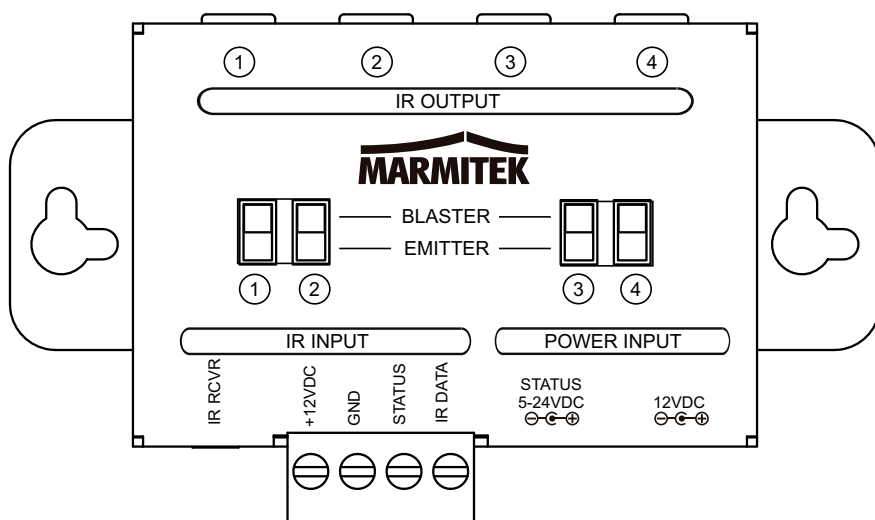
## 4. CONNEXIONS

Le Module IR est la partie principale qui relie les récepteurs IR, l'adaptateur secteur et les câbles d'extension IR entre eux. Afin de pouvoir utiliser toutes les possibilités de façon optimale toutes les connexions du Module IR sont expliquées ci-dessous.

### 4.1 Entrée IR

**RCVR IR** : entrée IR standard (3.5mm jack) pour le Récepteur IR qui est fourni

**BORNIER À VIS** : Entrée IR pour connecter en parallèle au maximum 6 Récepteurs IR.



+12VDC : Rouge    GND : Noir    STATUT : Jaune    DONNÉES IR : Blanc

## 4.2 Entrée d'ALIMENTATION

**12VDC:** Adaptateur secteur pour le Module IR (fourni), 5VDC/200mA

**STATUT :** Adaptateur secteur pour le signal de STATUT (non fourni), 5-24VDC ou 5-12VAC

## 4.3 Sortie IR

1 – 4 : quatre mini sorties jack pour la connexion de câbles d'extension IR.

**EMETTEUR / BLASTER:** chaque sortie est individuellement commutable pour connecter des LEDs blaster ou des LEDs émetteur.

# 5. INSTALLATION

Pour vérifier le bon fonctionnement du système il est conseillé de tester au préalable la disposition comme vous l'avez prévue. A cet effet connectez tout, comme décrit ci-dessous, mais ne fixez pas définitivement les composants.

## 5.1 Installation du récepteur IR

Placez le minuscule Récepteur IR de telle sorte qu'il soit en vue de votre télécommande (infrarouge) et qu'il puisse recevoir les ordres transmis (max. 10 mètres).

- L'emplacement le plus logique pour installer votre Récepteur IR est par exemple sur le meuble dans lequel les appareils A/V sont placés ou à proximité du téléviseur.
- Grâce à l'encoche dans le boîtier à l'arrière du Récepteur IR vous pouvez faire passer le câble par dessous ou sur la face arrière, ce qui permet de dissimuler facilement le câble.
- En utilisant la bande adhésive fournie le Récepteur IR peut être placé pratiquement n'importe où.
- Faites des essais pour repérer la position exacte avant de coller définitivement le récepteur IR.

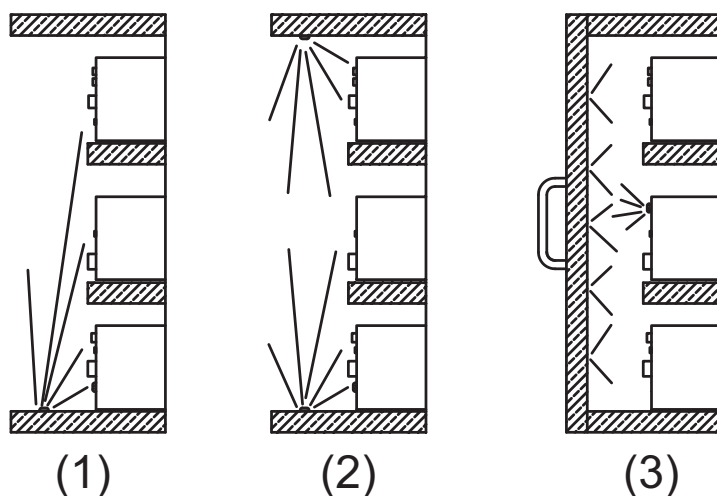
**Attention !** La bande adhésive peut provoquer une décoloration de certaines surfaces ou laisser des résidus de colle lorsqu'on l'enlève.

## 5.2 Installation du câble d'extension IR avec une LED blaster

Marmitek conseille l'utilisation de LEDs blaster IR, parce qu'ils permettent de commander simultanément plusieurs appareils A/V et en plus ils sont faciles à installer. N'utilisez le câble d'extension IR avec LEDs émetteur fourni que pour résoudre un problème si un ou plusieurs appareils ne peuvent pas être commandés (voir chapitre 5.3).

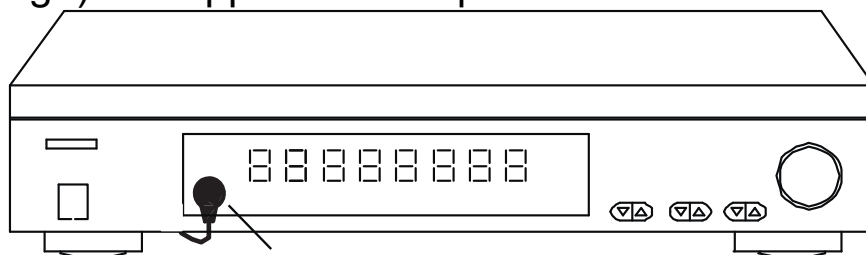
Placez la LED blaster IR dans le meuble des appareils A/V que vous souhaitez commander.

- Si une LED blaster est installée correctement elle peut commander tous les appareils qui se trouvent dans le même compartiment.
- Dans certains cas, s'il n'est pas possible de commander tous les appareils A/V avec une seule LED blaster, il est nécessaire de placer une deuxième LED blaster.
- Ou vous placez la LED blaster sur l'un des appareils A/V au milieu du meuble et les autres appareils seront également commandés par la réflexion du signal infrarouge.



## 5.3 Installation du Câble d'extension avec des LEDs émetteur (pour résoudre des problèmes)

Placez correctement les LEDs du câble d'extension IR sur la fenêtre IR (capteur infrarouge) des appareils A/V que vous souhaitez commander.



- Assurez-vous que les LEDs du câble d'extension IR soient collées exactement sur le capteur infrarouge de l'appareil A/V (sur certains appareils cela doit être très précis). Pour trouver facilement la position

exacte, éclairez la face avant avec une lampe de poche et cherchez la fenêtre du capteur IR.

- Toutes les LEDs IR sont dotées d'un film auto-adhésif qui permet de les fixer sur la fenêtre IR de votre appareil A/V.
- Testez au préalable la position et le fonctionnement des LEDs IR avant de les coller définitivement sur la fenêtre IR de votre appareil A/V.
- Si vous n'utilisez qu'une des deux LEDs, laissez l'autre LED IR inutilisée. Ne les enlevez jamais du Câble d'extension !

## 5.4 Installation du Module IR

Placez le Module IR dans un endroit accessible derrière ou à côté de vos appareils A/V et à proximité d'une prise électrique.

- Tenez compte de la longueur du câble des LEDs IR et du Récepteur IR.
- Faites en sorte que les prises de connexion restent accessibles.

## 5.5 Connexion du Module IR

1. Connectez les Câbles d'extension IR installés sur la prise "IR OUT" du Module IR.
2. Ne mettez les commutateurs du Module IR sur la position BLASTER que seulement si un câble d'extension avec une LED blaster IR y est connecté. Dans tous les autres cas, laissez le commutateur sur la position ÉMETTEUR.

ATTENTION : Un mauvais choix entre ces deux positions pourrait endommager les LEDs IR et cela pourrait provoquer un dysfonctionnement.

3. Connectez le Câble du Récepteur IR installé sur la prise "IR RCVR" du Module IR.
4. Connectez l'adaptateur secteur sur la prise "12VDC" du Module IR et branchez-le sur une prise électrique.

## 5.6 Testez le fonctionnement du produit

1. Si le IR Control 10 XTRA™ est correctement connecté, le voyant sur le Récepteur IR clignote lorsque vous appuyez sur une touche de la télécommande (infrarouge) et que vous la dirigez vers le Récepteur IR.
2. Fermez les portes de votre meuble et évitez que vos appareils A/V puissent recevoir directement un ordre infrarouge de la télécommande. Cela pourrait en effet causer des problèmes de commande.

3. Vous pouvez maintenant commander vos appareils A/V par le biais du IR Control 10 XTRA™ à travers les portes fermées d'un meuble !

Si le IR Control 10 XTRA ne réagit pas correctement, expérimentez alors avec la position du Récepteur IR et/ou des Câble d'extension IR (émetteur ou blaster). Une autre position peut donner un meilleur résultat final.

## 6. INSTALLATION AVANCÉE

### 6.1 Connexion de plusieurs Récepteurs IR

Si vous souhaitez commander les appareils A/V à partir de différentes pièces, vous pouvez connecter en parallèle au maximum 6 Récepteurs IR au Module IR. Coupez alors le connecteur standard du Récepteur IR et connectez-le au BORNIER À VIS du module IR (voir paragraphe 4.1).

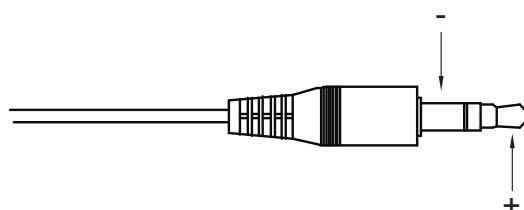
### 6.2 Rallonger le câble du Récepteur IR

Seul le câblage entre le Récepteur IR et le Module IR peut être rallongé. Les câbles IR avec des LEDs émetteur ou blaster ne peuvent pas être rallongés. Placez le module IR le plus près possible de vos appareils A/V et rallongez le câblage entre le Récepteur IR et le Module IR, si nécessaire jusqu'à 300 mètres en utilisant un câble CAT5 (ou l'équivalent). Coupez alors le connecteur 3.5mm standard du câble du Récepteur IR et rallongez le câble selon l'exemple ci-dessous.

Récepteur IR	Câble CAT5	Module IR
Rouge	Orange	+12VDC
Noir	Bleu	GND
Jaune	Vert	STATUT
Blanc	Marron	DONNÉES IR

### 6.3 Connecter un câble de connexion AVR

Les appareils A/V de différentes marques (par exemple Denon, Yamaha, Onkyo, Marantz, etc) sont dotés d'une prises de connexion "IR IN" directe sur la face arrière. Vous pouvez également connecter vos appareils A/V



directement avec le câble de connexion AVR. L'utilisation d'un câble d'extension IR (avec LED émetteur ou blaster) est alors superflue.

**Attention** : Consultez la documentation technique de vos appareils A/V afin de déterminer si le Module IR du IR Control 10 XTRA peut être connecté directement. La plupart des câbles IR utilisent une prise jack mono 3,5mm dont l'extrémité est utilisée pour les "données IR" et la gaine métallique tressée pour le signal "GND".

## 7. FOIRE AUX QUESTIONS

**L'appareil A/V ne réagit pas aux signaux de ma télécommande.**

- Le Récepteur IR a une sensibilité de réception d'environ 10 mètres pour un angle d'ouverture de 90 degrés. La portée dépend également de la télécommande utilisée.
- Si le voyant sur le Récepteur IR reste allumé continuellement, il se peut que le Récepteur IR soit éventuellement perturbé par un signal d'interférence infrarouge. Essayez de placer le Récepteur IR de telle sorte qu'il soit le moins possible perturbé par d'éventuelles sources d'interférence telles que la lumière directe du soleil, les Téléviseurs à Écran Plat (LCD, Plasma, LED), les lampes fluorescentes ou les ampoules basse consommation.
- Le Récepteur IR n'est pas compatible avec certains appareils et modèles qui utilisent des fréquences IR plus élevées tels que p.ex. Bang&Olufsen (B&O).
- Assurez-vous que le Récepteur IR et le câble d'extension IR soient correctement connectés et qu'ils soient enfichés fermement.
- Certaines fenêtres IR de set-top boxes (décodeurs TV) et de décodeurs satellites sont extrêmement sensibles et peuvent facilement être surchargées. Ces appareils reçoivent alors trop de rayons infrarouges et ne fonctionnent pas ou très mal. Déplacez la LED IR de telle sorte que la fenêtre IR reçoive moins de lumière infrarouge.

Les informations ci-dessus n'ont pas répondu à vos questions ? Veuillez consulter le site internet [www.marmitek.com](http://www.marmitek.com)

# 8. CARACTÉRISTIQUES TECHNIQUES

## Récepteur IR

Plage de fréquence	30-60 KHz
Portée de réception IR :	± 10 mètres
Angle de réception IR :	90° (+45°/-45° depuis le centre)
Longueur du câble :	3 mètres, peut être rallongé jusqu'à 300 mètres
Indicateur de réception IR :	OUI, voyant LED violet
Indicateur de statut :	OUI, voyant LED vert
Dimensions du bloc récepteur :	40 x 13 x 11mm

## Module IR

ALIMENTATION :	100-240VAC 50/60Hz, 12VC 200mA (fournie)
STATUT d'alimentation :	Fiche 5-24VDC / 5-12VAC, - 5.5mm extérieur / + 2.1mm Intérieur (non fournie)
Entrée IR	1x prise jack 3,5mm, pour Récepteur IR standard 1x connecteur à vis, pour au maximum 6 Récepteurs IR connectés en parallèle. Peut être rallongé jusqu'à 300 mètres par le biais d'un CAT5 (ou l'équivalent)
Sortie IR :	4x fiche jack 3,5mm (mono), commutable pour câbles d'extension IR avec LEDs émetteur et blaster
Dimensions :	95 x 46 x 20mm

## Câble d'extension IR avec 1 LED blaster

Connexion :	fiche jack 3,5mm (mono)
LEDs IR :	1x LED blaster IR
Longueur du câble :	3 mètres

## Câble d'extension IR avec 2 LEDs émetteur

Connexion :	fiche jack 3,5mm (mono)
LEDs IR:	2x LEDs émetteur IR
Longueur du câble :	3 mètres

Les spécifications sont sujettes à modification sans préavis.

# 9. DISPONIBLE EN OPTION

## **Un Récepteur IR supplémentaire (Réf. 08142)**

Chaque système a besoin d'au moins un Récepteur IR (maximum 6). En utilisant un Récepteur IR supplémentaire vous avez la possibilité de commander également vos appareils A/V depuis une autre pièce. Voir les fiches de données du récepteur IR sur le site internet [www.marmitek.com](http://www.marmitek.com)

## **Câble d'extension avec une LED blaster IR (Réf. 08144)**

Un blaster IR émet une plus grande quantité de lumière infrarouge (jusqu'à 2 mètres même) et il peut ainsi commander facilement plusieurs appareils. Il peut être donc placé avec moins de précision que les LEDs IR. Voir les fiches de données de la LED Blaster IR sur le site internet [www.marmitek.com](http://www.marmitek.com).

## **Câble d'extension IR avec deux LEDs émetteur (Réf. 08145)**

Les câbles d'extension IR avec 2 LEDs émetteur doivent être collés sur l'appareil A/V que vous souhaitez commander. Voir les fiches de données de la LED émetteur IR sur le site internet [www.marmitek.com](http://www.marmitek.com).



### **Informations environnementales pour les clients de l'Union européenne**

La directive européenne 2002/96/CE exige que l'équipement sur lequel est apposé ce symbole sur le produit et/ou son emballage ne soit pas jeté avec les autres ordures ménagères. Ce symbole indique que le produit doit être éliminé dans un circuit distinct de celui pour les déchets des ménages. Il est de votre responsabilité de jeter ce matériel ainsi que tout autre matériel électrique ou électronique par les moyens de collecte indiqués par le gouvernement et les pouvoirs publics des collectivités territoriales. L'élimination et le recyclage en bonne et due forme ont pour but de lutter contre l'impact néfaste potentiel de ce type de produits sur l'environnement et la santé publique. Pour plus d'informations sur le mode d'élimination de votre ancien équipement, veuillez prendre contact avec les pouvoirs publics locaux, le service de traitement des déchets, ou l'endroit où vous avez acheté le produit.



# AVISOS DE SEGURIDAD

- Para evitar un cortocircuito, este producto solamente se usa en casa y en habitaciones secas. No exponga los componentes del sistema a la lluvia o a la humedad. No se use cerca de una bañera, una piscina, etc.
- No exponga los componentes del sistema a temperaturas extremadamente altas o a focos de luz fuertes.
- En caso de uso indebido o modificaciones y reparaciones montados por su mismo, la garantía se caducará. En caso de uso indebido o impropio, Marmitek no asume ninguna responsabilidad para el producto. Marmitek no asume ninguna responsabilidad para daños que resultan del uso impropio, excepto según la responsabilidad para el producto que es determinada por la ley.
- Este producto no es un juguete. Asegúrese de que está fuera del alcance de los niños.
- Nunca abra el producto (a excepción de compartimiento de pilas): Puede contener piezas que se encuentren bajo una tensión mortal. Deje las reparaciones o servicios a personal experto.\
- Adaptador de red: No conecte el adaptador de red a la red de alumbrado antes de que haya controlado si la tensión de red corresponde con el valor indicado en la estampa de tipo. Nunca conecte un adaptador de si ése está dañado. En este caso, por favor entre en contacto con su proveedor.

# CONTENIDO

1. INTRODUCCIÓN .....	34
2. CONTENIDO DEL EMBALAJE .....	34
3. FUNCIONAMIENTO.....	34
4. CONEXIONES .....	35
4.1. Entrada IR.....	35
4.2 Entrada ALIMENTACIÓN.....	36
4.3 Salida IR.....	36
5. INSTALACIÓN .....	36
5.1 Colocación del Recptor IR .....	36
5.2 Colocación del cable de extensión IR con un blaster LED .....	36
5.3 Instalación del cable de extensión IR con emisores LED .....	37
5.4 Colocación del Módulo IR .....	38
5.5 Conexión del Módulo IR.....	38
5.6 Prueba el funcionamiento del producto.....	38
6. INSTALACIÓN AVANZADA .....	39
6.1 Conectar varios Receptores IR.....	39
6.2 Prolongar la longitud del cable del receptor IR .....	39
6.3 Conectar cable de conexión AVR .....	39
7. PREGUNTAS FRECUENTES .....	40
8. DATOS TECNICOS .....	41
9. TAMBIÉN A LA VENTA.....	42

# 1. INTRODUCCIÓN

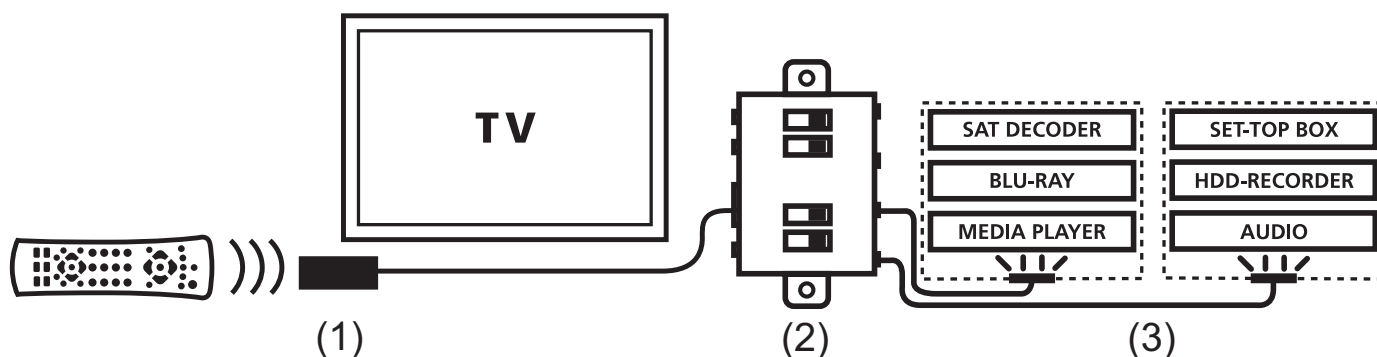
Felicitaciones por la compra del IR Control 10 XTRA™. Con este podrá prolongar las señales IR (infrarrojas) de su mando a distancia. Con el IR Control 10 XTRA™ se pueden controlar aparatos A/V, aunque se encuentren dentro de un armario cerrado o fuera del alcance de la vista.

## 2. CONTENIDO DEL EMBALAJE

- 1x Módulo IR
- 1x Receptor IR
- 2x Cable de extensión IR con blaster IR LED
- 1x Cable de extensión IR con dos emisores IR LED
- 1x Cable de conexión AVR
- 1x Adaptador de alimentación
- 1x Modo de empleo

## 3. FUNCIONAMIENTO

Coloca su equipo A/V dentro de un armario cerrado o aún en otra habitación. Instala luego el receptor IR en la vista de su propio mando a distancia. Coloca el blaster IR LED en la parte que quieras del armario y esconde elegantemente el módulo principal IR. Dirija el mando a distancia al receptor IR para transmitir el comando deseado a los LED IR (a través del módulo principal), los cuales transmiten el comando infrarrojo directamente al equipo A/V.



El IR Control 10 XTRA™ se compone de tres partes principales:

(1) El Receptor IR

El Receptor IR recibe los comandos infrarrojos de su propio mando a distancia y los transmite al IR Module.

(2) El IR Module

El IR Module recibe los comandos infrarrojos del Receptor IR, los elabora y los transmite a todos los Cables de Extensión IR conectados.

(3) El cable de extensión IR con dos emisores LED o un blaster LED

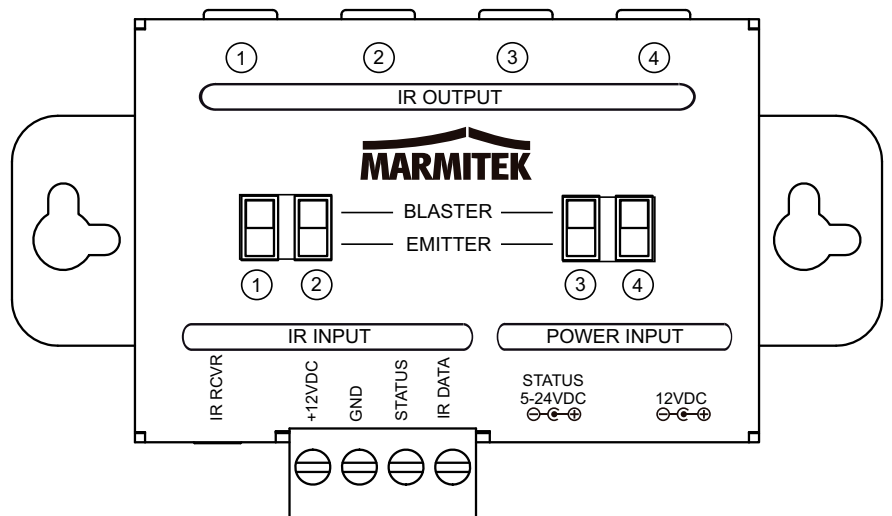
El cable de extensión IR recibe las órdenes de control por rayos infrarrojos del Módulo IR y convierte éstos mediante los LED IR o los blasters IR en señales IR. Los emisores LED IR tienen un alcance limitado y por ello deben pegarse cuidadosamente en la ventanilla IR del dispositivo A/V a accionar. Un blaster IR LED emite mucha más luz infrarroja (hasta 2 metros) por lo que este puede manejar fácilmente varios dispositivos y por ello su colocación es menos delicada.

## 4. CONEXIONES

El IR Module es la parte principal para conectar los Receptores IR, el adaptador de alimentación y los Cables de Extensión IR. Para disfrutar óptimamente de todas las posibilidades de este módulo, todas las conexiones se explican más abajo.

### 4.1. Entrada IR

**IR RCVR:** entrada IR estándar (jack 3.5mm) para el Receptor IR suministrado  
**TERMINAL DE TORNILLO:** Entrada IR para conectar como máximo 6 Receptores IR en paralelo.



+12VDC: Rojo    GND: Negro    ESTADO: Amarillo    DATOS IR: Blanco

## 4.2 Entrada ALIMENTACIÓN

**12VDC:** Adaptador de corriente para el Módulo IR (suministrado),  
5VDC/200mA

**ESTADO:** Adaptador de corriente para la señal de Estado (no suministrado),  
5-24VDC ó 5-12VAC

## 4.3 Salida IR

**1 – 4:** cuatro salidas mini jack para la conexión de cables de extensión IR.

**EMISOR / BLASTER:** cada salida es conmutable separadamente para conectar blaster o emisores LED.

# 5. INSTALACIÓN

Para comprobar si el sistema funciona perfectamente, le avisamos ensayar la posición deseada de los elementos. Conecta todos los componentes como descrito más abajo sin pegarlos definitivamente.

## 5.1 Colocación del Receptor IR

Coloca el pequeñísimo Receptor IR de manera que sea visible para su mando a distancia (infrarrojo) y pueda recibir las órdenes de control enviadas (máx. 10 metros).

- Posibles sitios para el Receptor IR pueden ser por ejemplo encima del armario del equipo A/V o en la cencanía del televisor.
- El hueco en la parte trasera del gabinete del Receptor IR le permite esconder el cable fácilmente.
- La cinta adhesiva facilita una colocación en casi cualquier sitio que usted desee.
- Ensaya la posición antes de pegar el Receptor IR definitivamente.

**¡Atención!** La cinta adhesiva puede causar coloraciones en algunas superficies o dejar restos de cola al quitarla.

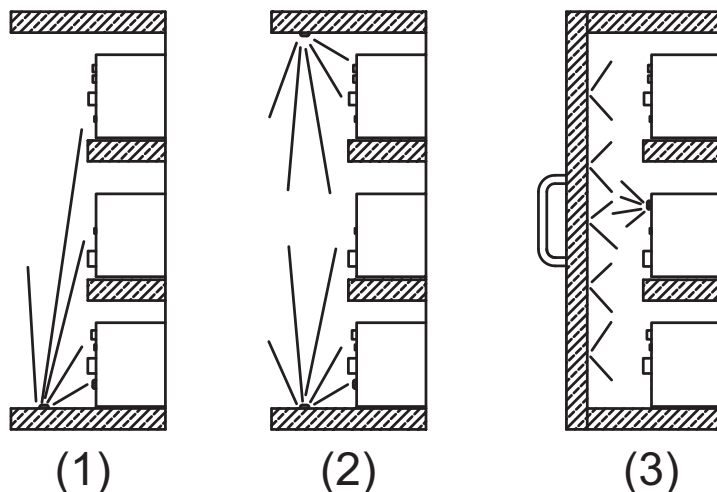
## 5.2 Colocación del cable de extensión IR con un blaster LED

Marmitek aconseja el uso del Led del blaster IR porque este puede accionar varios dispositivos A/V al mismo tiempo y gracias a ello la instalación es muy

sencilla. Usa el cable de extensión IR suministrado con emisores LED solamente como solución para problemas si uno o más dispositivos no pueden ser accionados (véase capítulo 5.3).

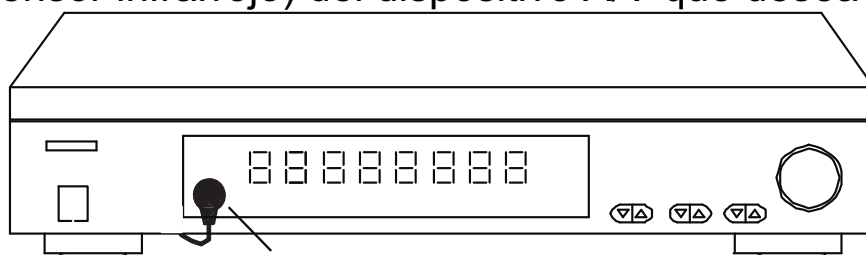
Coloca el LED del blaster IR en el armario del dispositivo A/V que quieras accionar.

- Mediante una colocación adecuada un LED del blaster puede accionar todos los dispositivos A/V que están en el mismo compartimento.
- En algunas situaciones es necesario colocar un segundo Led blaster cuando no todos los dispositivos A/V pueden accionarse con un LED blaster
- Si colocas el LED blaster en uno de los dispositivos A/V en el centro del armadio los restantes aparatos también serán accionados a través de la reflexión de la señal de rayos infrarrojos.



## 5.3 Instalación del cable de extensión IR con emisores LED (como resolutor de problemas)

Coloca los LEDs del Cable de Extensión IR precisamente encima de la ventanilla IR (sensor infrarrojo) del dispositivo A/V que desea manejar.



- Presta atención a que los LEDs del Cable de Extensión IR se coloquen exactamente encima del sensor infrarrojo del dispositivo A/V (algunos aparatos requieren una colocación muy precisa). Encuentra la posición perfecta iluminando el panel frontal con una linterna de bolsillo para buscar la ventanilla del sensor IR.
- Los LEDs IR disponen de una cinta autoadhesiva para fijarlos encima de la ventanilla IR del dispositivo A/V.
- Ensaya la posición de los LEDs IR antes de pegarlos definitivamente encima del sensor IR del dispositivo A/V.

- Usa solamente uno de los dos LED, deja los otros IR LED sin usar. No elimines nunca este del cable de extensión!

## 5.4 Colocación del Módulo IR

Coloca el Módulo IR en un sitio bien alcanzable detrás o al lado del equipo A/V y cerca de un enchufe.

- Tenga en cuenta la longitud del cable de los LEDs IR y del Receptor IR.
- Tenga en cuenta mantener la accesibilidad de las conexiones para la instalación .

## 5.5 Conexión del Módulo IR

1. Conecta el cable de extensión IR instalado con la conexión “IR OUT” del Módulo IR .
2. Coloca únicamente los conmutadores del Módulo IR en la posición BLASTER si después un cable de extensión IR se conecta con un LED blaster. En todos los demás casos deje el conmutador en la posición EMISOR.  
ATENCIÓN: Una elección errónea entre estas dos posiciones puede causar daños a los LED IR los cuales pueden provocar defectos a este.
3. Conecta el cable IR del receptor instalado en la conexión “IR RCVR” del Módulo IR.
4. Conecta el adaptador de corriente en la conexión “12VDC del Módulo IR y conecta este a una toma de corriente.

## 5.6 Prueba el funcionamiento del producto

1. Si el IR Control 10 XTRA™ se ha conectado correctamente, entonces parpadea la lucecita en el Receptor IR si presionas un botoncito del mando a distancia (infrarrojo) y este apunta al Receptor IR.
2. Cierra las puertas de tu armario y evita que el dispositivo A/V también pueda recibir directamente del mando a distancia una orden de control por infrarrojos, esto puede llevar a problemas de accionamiento.
3. Ahora puedas accionar tu dispositivo A/V mediante el IR Control 10 XTRA™, ¡a través de las puertas cerradas del armario!

Si el IR Control 10 XTRA no reacciona de una manera adecuada, pruebe entonces con la colocación del Receptor IR y/ o el cable de extensión IR (emisor o blaster). Otra colocación puede dar un mejor resultado final.

# 6. INSTALACIÓN AVANZADA

## 6.1 Conectar varios Receptores IR

Si quieres poder accionar el dispositivo A/V desde varias habitaciones puedes conectar hasta un máximo de 6 Receptores IR en paralelo en el Módulo IR. Además, corta el conector estándar del Receptor IR y conecta este a la TERMINAL DE TORNILLO del Módulo IR (véase apartado 4.1).

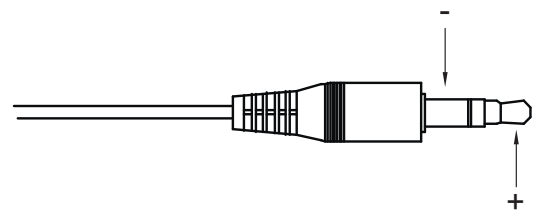
## 6.2 Prolongar la longitud del cable del receptor IR

Solamente se puede prolongar el cableado entre el Receptor IR y el Módulo IR. Los cables IR con emisor o blaster LED no pueden prolongarse. Coloca el Módulo IR lo más cerca posible de tu dispositivo A/V y prolonga el cableado entre el Receptor IR y el Módulo IR si es necesario hasta un máximo de 300 metros con ayuda de un cable CAT5 (o equivalente). Corta el conector estándar de 3.5mm del cable del Receptor IR y prolonga el cable según el ejemplo de a continuación.

Receptor Ir	Cable CAT5	Módulo IR
Rojo	Naranja	+12VDC
Negro	Azul	GND
Amarillo	Verde	ESTADO
Blanco	Marrón	DATOS IR

## 6.3 Conectar cable de conexión AVR

Un dispositivo A/V de diferentes marcas (por ejemplo Denon, Yamaha, Onkyo, Marantz, etc) dispone de una conexión directa "IR IN" en la parte trasera. Una conexión directa con el cable de conexión AVR es una manera alternativa de conectar tu dispositivo A/V. El uso de un cable de extensión IR (con emisor o blaster LED) es innecesario.



**Atención;** Comprueba la documentación técnica de tu dispositivo para determinar si el Módulo IR del IR Control 10 XTRA puede conectarse directamente. La mayoría de los cables IR usa una conexión mono jack de 3.5mm que se usa para los "Datos IR" y la manga para "GND".

# 7. PREGUNTAS FRECUENTES

**El equipo A/V no reacciona a las señales del mando a distancia.**

- El Receptor puede recibir las señales a una distancia de 10 metros más o menos y tiene un ángulo de apertura de 90 grados. El alcance depende del mando a distancia empleado.
- Si la lucecita del Receptor IR continúa encendiéndose, es posible que el Receptor IR esté siendo molestado por una señal de fallo infrarroja. Intenta colocar el Receptor IR de manera que se influye mínimamente por posibles fuentes de interferencia como luz solar directa, televisores de pantalla plana (LCD, Plasma, LED), lámparas halógenas o bombillas de bajo consumo.
- El Receptor IR no funciona en combinación con algunas marcas y modelos de dispositivos A/V, los que utilizan frecuencias infrarrojas más altas, como p.e. Bang&Olufsen (B&O).
- Controla la conexión correcta y completa del Receptor IR y del Cable de Extensión IR.
- Algunas ventanillas IR de set-top boxes o de boxes de satélite son muy sensibles. Estos dispositivos pueden recibir demasiada radiación infrarroja, lo que influye en el funcionamiento. Cambia el lugar del LED IR de manera que entra menos luz infrarroja en la ventanilla IR.

¿Tiene más preguntas? Vístia [www.marmitek.com](http://www.marmitek.com)



## 8. DATOS TECNICOS

### Receptor IR

Rango alcance:	30-60 KHz
Recepción IR alcance:	± 10 Metros
Ángulo de recepción IR:	90° (+45°/-45° desde el centro)
Longitud de cable:	3 metros, prolongable hasta llegar a 300 metros
Indicación recepción IR:	SÍ, LED indicación morada
Indicación estado:	SÍ, LED indicación verde
Dimensiones del receptor:	40 x 13 x 11mm

### Módulo IR

Alimentación POWER:	100-240VAC 50/60Hz, 12VC 200mA (suministrado)
ESTADO alimentación:	5-24VDC / 5-12VAC plug, - 5.5mm fuera / + 2.1mm dentro (no suministrado)
Entrada IR:	1x conexión jack 3,5mm, para Receptor estándar IR 1x conector de tornillo, para un máximo de 6 receptores IR conectados en paralelo. Prolongable hasta llegar a 300 metros mediante CAT5 (o equivalente)
Salida IR:	4x 3,5mm jack plug (mono), conmutable para cables de extensión IR con emisor LED o blaster
Dimensiones:	95 x 46 x 20mm

### Cable de extensión IR con 1 LED blaster

Conexión:	3,5mm jack plug (mono)
LEDS del IR:	1x LED blaster IR
Longitud cable:	3 metros

### Cable de extensión IR con 2 emisores LED

Conexión:	3,5mm jack plug (mono)
LEDS del IR:	2x emisores IR LED
Longitud cable:	3 metros

Las especificaciones se pueden cambiar sin previo aviso.

## 9. TAMBIÉN A LA VENTA

### **Receptor adicional IR (Artnr. 08142)**

Cada sistema necesita como mínimo un Receptor IR (máximo 6). Mediante un Receptor adicional IR también puedes accionar tus dispositivos A/V desde otra habitación. Véanse las hojas de datos de los receptores IR en [www.marmitek.com](http://www.marmitek.com)

### **Cable de extensión IR con un blaster LED (Artnr. 08144)**

Un blaster IR emite mucha más luz infrarroja (hasta 2 metros) por lo que este puede manejar fácilmente varios dispositivos. La colocación del blaster IR es menos delicada, en relación a los LED del IR. Véanse las hojas de datos del LED del blaster IR en [www.marmitek.com](http://www.marmitek.com)

### **Cable de extensión IR con dos emisores LED (Artnr. 08145)**

Los cables de extensión IR con 2 emisores LED deben conectarse a un dispositivo A/V que quieras accionar. Véanse las hojas de datos de los LED del emisor IR en [www.marmitek.com](http://www.marmitek.com).



#### **Información medioambiental para clientes de la Unión Europea**

La Directiva 2002/96/CE de la UE exige que los equipos que lleven este símbolo en el propio aparato y/o en su embalaje no deben eliminarse junto con otros residuos urbanos no seleccionados. El símbolo indica que el producto en cuestión debe separarse de los residuos domésticos convencionales con vistas a su eliminación. Es responsabilidad suya desechar este y cualesquiera otros aparatos eléctricos y electrónicos a través de los puntos de recogida que ponen a su disposición el gobierno y las autoridades locales. Al desechar y reciclar correctamente estos aparatos estará contribuyendo a evitar posibles consecuencias negativas para el medio ambiente y la salud de las personas. Si desea obtener información más detallada sobre la eliminación segura de su aparato usado, consulte a las autoridades locales, al servicio de recogida y eliminación de residuos de su zona o pregunte en la tienda donde adquirió el producto.

# PRECAUZIONI DI SICUREZZA

- Per evitare il pericolo di cortocircuito utilizzare questo prodotto esclusivamente al coperto e in luoghi asciutti. Non esporre i componenti di questo prodotto a pioggia o umidità. Non utilizzare vicino alla vasca da bagno, piscina, ecc.
- Non esporre i componenti del sistema a temperature eccessivamente alte o a fonti intense di luce.
- In caso di utilizzo scorretto, di riparazioni o modifiche apportate personalmente decade qualsiasi garanzia. Marmitek declina ogni responsabilità per i danni derivanti da un utilizzo non appropriato del prodotto o da utilizzo diverso da quello per cui il prodotto è stato creato. Marmitek declina ogni responsabilità per danni consequenziali ad eccezione della responsabilità civile sui prodotti.
- Questo prodotto non è un giocattolo: tenerlo lontano dalla portata dei bambini.
- Non aprire mai il prodotto (vano batteria escluso): L'apparecchio può contenere componenti la cui tensione è estremamente pericolosa. Lasciare fare riparazioni o modifiche esclusivamente a personale esperto.
- Alimentatore: Collegare l'alimentatore alla presa di corrente solamente dopo avere controllato che la tensione della rete elettrica corrisponda alle indicazioni riportate sulla targhetta. Non utilizzare mai un alimentatore danneggiato. In tal caso rivolgersi al proprio rivenditore.

## INDICE

1. INTRODUZIONE .....	44
2. IL KIT COMPRENDRE .....	44
3. FUNZIONAMENTO .....	44
4. COLLEGAMENTI .....	45
4.1. Ingresso IR.....	45
4.2 Ingresso POWER.....	46
4.3 Uscita IR.....	46
5. INSTALLAZIONE .....	46
5.1 Collocamento del Ricevitore IR.....	46
5.2 Collocamento della prolunga IR tramite un LED blaster .....	47
5.3 Collocamento della prolunga IR con i LED emittenti.....	47
5.4 Collocamento del Modulo IR.....	48
5.5 Collegamento del modulo IR.....	48
5.6 Collaudare il funzionamento del prodotto.....	48
6. INSTALLAZIONE AVANZATA .....	49
6.1 Collegare più ricevitori IR.....	49
6.2 Aumentare la lunghezza del cavo del ricevitore IR .....	49
6.3 Collegare il cavo di collegamento AVR .....	49
7. DOMANDE FREQUENTI .....	50
8. CARATTERISTICHE TECNICHE .....	51
9. OPZIONI DISPONIBILI .....	52

# 1. INTRODUZIONE

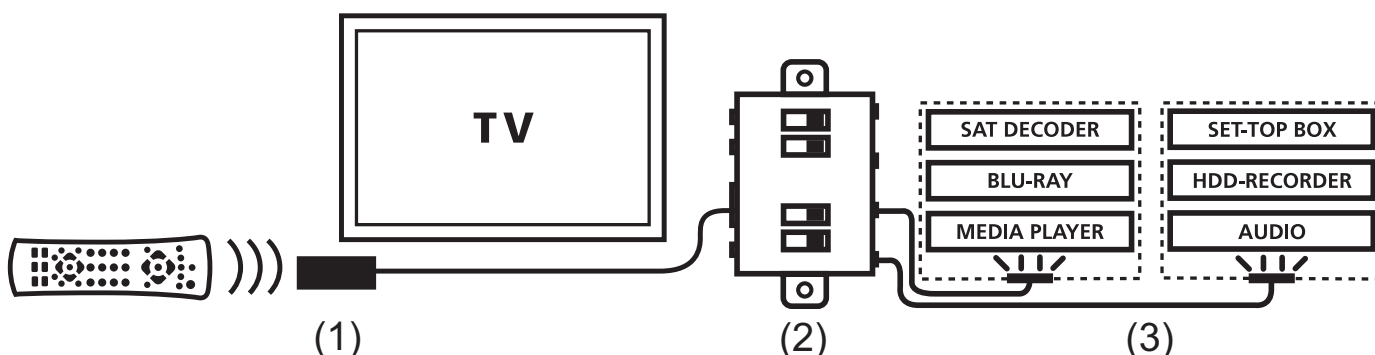
Congratulazioni con il vostro acquisto dell' IR Control 10 XTRA™. Con Marmitek IR Control 10 XTRA™ potete ampliare i segnali infrarossi (IR) dei vostri telecomandi e controllare apparecchi audio/video anche se collocati in un mobile chiuso o fuori vista.

## 2. IL KIT COMPRENDE

- 1 x Modulo IR (a infrarossi)
- 1 x Ricevitore IR
- 2 x Prolunga IR con un LED blaster IR
- 1 x Prolunga IR con due LED emittenti IR
- 1 x Cavo di collegamento AVR
- 1 x Adattatore di alimentazione
- 1 x Manuale d'istruzioni

## 3. FUNZIONAMENTO

Posizionate i vostri apparecchi A/V in un armadio o mobile per TV chiuso, o perfino in un'altra stanza. Il ricevitore IR deve essere installato nel campo visivo del vostro telecomando. Applicate il LED blaster IR dovunque volete nell'armadio o nel mobile e posizionate non in vista il modulo principale IR. Poi puntate il telecomando verso il ricevitore IR per inviare il comando desiderato (via il modulo IR principale) ai LED IR, che trasferiranno direttamente il comando IR agli apparecchi A/V.



L' IR Control 10 XTRA™ consiste di tre componenti principali;

### (1) Ricevitore IR

Il ricevitore IR riceve i comandi a infrarossi dal vostro telecomando e li trasmette all'IR Module.

### (2) IR Module

L'IR Module riceve i comandi a infrarossi dal ricevitore IR, li elabora e li trasmette a tutti i cavi di prolunga IR collegati.

### (3) Prolunga IR con due LED emittenti o un LED blaster

La prolunga IR riceve i comandi a infrarossi del modulo IR e li converte a segnali a infrarossi tramite i LED IR o blaster IR. I LED emittenti IR hanno una portata limitata e perciò devono essere attaccati precisamente sulla finestra IR del dispositivo A/V da comandare. Un LED blaster IR emette più luce a infrarossi (fino a 2 metri) e quindi può facilmente comandare più apparecchi e richiede un collocamento meno preciso.

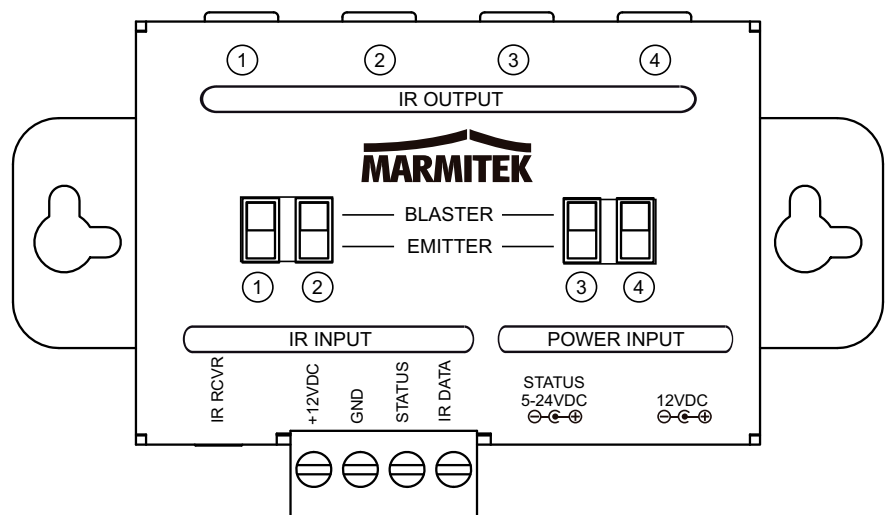
## 4. COLLEGAMENTI

L'IR Module è il componente principale che collega tra di loro i ricevitori IR, l'adattatore di alimentazione ed i cavi di prolunga IR. Per approfittare ottimamente di tutte le possibilità si spiegano tutti i collegamenti del modulo IR qui sotto.

### 4.1. Ingresso IR

**IR RCVR:** ingresso IR standard (connettore jack 3.5mm) per il ricevitore IR fornito

**MORSETTO A VITE:** ingresso IR per collegare in parallelo al massimo 6 ricevitori



+12VDC: Rosso    GND: Nero    STATUS: Giallo    IR DATA: Bianco

## 4.2 Ingresso POWER

**12VDC:** adattatore di alimentazione per il modulo IR (fornito), 5VDC/200mA

**STATUS:** adattatore di alimentazione per il segnale di Stato (non fornito), 5-24VDC o 5-12VAC

## 4.3 Uscita IR

**1 – 4:** quattro uscite mini-jack per il collegamento dei cavi di prolunga IR.

**EMITTER/BLASTER:** ogni uscita può essere commutata separatamente per collegare i LED blaster o emittenti.

# 5. INSTALLAZIONE

Per controllare il buon funzionamento del sistema si raccomanda di prima testare il vostro sistema pianificato. A tal scopo si deve collegare tutto come descritto qui sotto, ma i componenti non devono ancora essere incollati definitivamente.

## 5.1 Collocamento del Ricevitore IR

Collocare il ricevitore IR molto compatto di modo che sia visibile per il telecomando (a infrarossi) e possa ricevere i comandi inviati (10 metri al massimo).

- Il posto più logico per il ricevitore IR è per esempio sull'armadio in cui si trovano le apparecchiature A/V o vicino al TV.
- Grazie allo spazio vuoto nell'alloggiamento sul retro del ricevitore IR è possibile condurre il cavo via il lato inferiore o posteriore e posizionare fuori dalla vista il cavo.
- Quando si usa la striscia autoadesiva fornita in dotazione, si può installarlo in quasi ogni luogo.
- Prima di incollare in modo definitivo il ricevitore IR, provare il luogo di installazione.

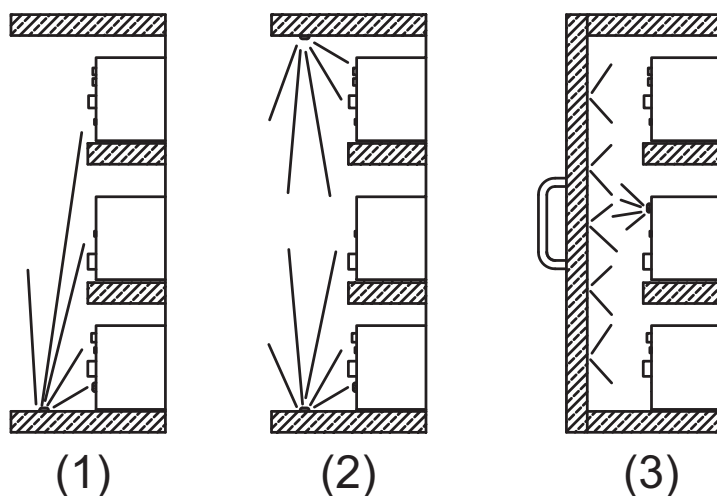
**Attenzione!** La striscia adesiva può causare scolorimenti su determinate superfici o lasciare residui di colla in caso di rimozione.

## 5.2 Collocamento della prolunga IR tramite un LED blaster

Marmitek raccomanda l'uso dei LED blaster visto che questo tipo di LED è in grado di comandare contemporaneamente più apparecchi A/V e perché è di facile installazione. Solo usare la prolunga IR con i LED emittenti in caso di problemi con il comando di uno o più apparecchi (vedere il capitolo 5.3).

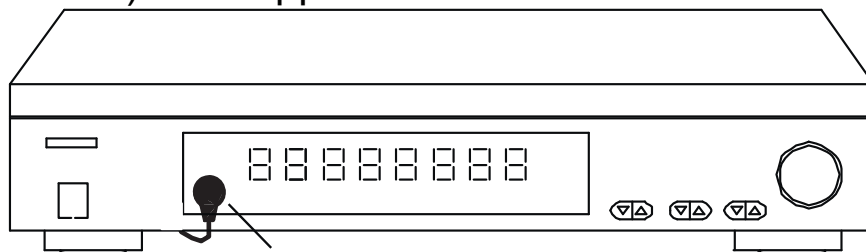
Collocare il LED blaster IR nell'armadio delle apparecchiature A/V che si desidera comandare.

- Se collocato bene, un solo LED blaster può comandare tutti gli apparecchi A/V che si trovano nello stesso vano.
- In alcune situazioni è necessario collocare un secondo LED blaster se non è possibile di comandare tutte le apparecchiature A/V con un solo LED blaster.
- O si deve collocare il LED blaster ad uno degli apparecchi A/V nel centro dell'armadio e gli altri apparecchi saranno anche comandati, grazie alla riflessione del segnale a infrarossi.



## 5.3 Collocamento della prolunga IR con i LED emittenti (in caso di problemi)

Collocare i LED del cavo di prolunga IR esattamente sulla finestra IR (sensore ad infrarossi) delle apparecchiature A/V che si desidera comandare.



- Assicurarsi che i LED del cavo di prolunga IR siano incollati esattamente sul sensore a infrarossi dell'apparecchio A/V (per qualche apparecchio richiede precisione). È facile trovare la posizione esatta puntando la luce di una torcia sul pannello frontale e cercando la finestra del sensore IR.

- Tutti i LED IR sono forniti di foglio autoadesivo per incollarli sulla finestra IR dell'apparecchio A/V.
- Provare la posizione ed il funzionamento dei LED IR, prima di incollarli in modo definitivo sulla finestra IR dell'apparecchio A/V.
- In caso dell'uso di solo uno di questi due LED, non usare l'altro LED IR. Non mai rimuovetelo dal cavo di prolunga!

## 5.4 Collocamento del Modulo IR

Collocare il modulo IR in un luogo raggiungibile dietro o accanto alle apparecchiature A/V e vicino a una presa di corrente.

- Tener conto della lunghezza del cavo dei LED IR e del ricevitore IR.
- Attenzione: i connettori devono rimanere accessibili per l'installazione.

## 5.5 Collegamento del modulo IR

1. Collegare i cavi di prolunga IR installati alla presa "IR OUT" del modulo IR.
2. Mettere gli interruttori del modulo IR solo nel modo BLASTER se è stato collegato una prolunga IR con un LED blaster. In tutti gli altri casi l'interruttore deve essere nel modo EMITTER.  
ATTENZIONE: una scelta sbagliata tra questi due modi potrebbe causare danni e guasti ai LED IR.
3. Collegare il cavo ricevitore IR installato alla presa "IR RCVR" del modulo IR.
4. Collegare l'adattatore di alimentazione alla presa "12VDC" del modulo IR ed inserirlo in una presa di corrente.

## 5.6 Collaudare il funzionamento del prodotto

1. Se il IR Control 10 XTRA™ è stato collegato correttamente, la spia sul ricevitore IR lampeggerà quando si preme un tasto del telecomando (a infrarossi) mentre è puntato verso il ricevitore IR.
2. Chiudere le ante dell'armadio e prevenire che le apparecchiature A/V siano in grado di ricevere direttamente dal telecomando un comando a infrarossi, visto che potrebbe causare problemi di comando.
3. Ora si può comandare le apparecchiature A/V tramite l'IR Control 10 XTRA™ attraverso le ante chiuse!



Nel caso che l'IR Control 10 XTRA non reagisca in modo giusto, si deve sperimentare il posizionamento del ricevitore IR e/o dei cavi di prolunga IR (emittente o blaster). Un altro posizionamento può dare risultati migliori.

## 6. INSTALLAZIONE AVANZATA

### 6.1 Collegare più ricevitori IR

Quando si desidera comandare le apparecchiature A/V da più stanze, è possibile collegare in parallelo fino al max. 6 ricevitori IR. A tale scopo tagliare il connettore standard dal ricevitore IR e collegarlo al MORSETTO A VITE del modulo IR (vedere il paragrafo 4.1).

### 6.2 Aumentare la lunghezza del cavo del ricevitore IR

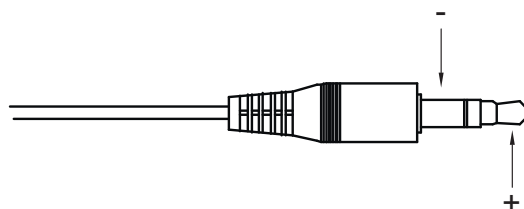
Si può solo aumentare la lunghezza dei cavi tra il ricevitore IR ed il modulo IR. Non è possibile aumentare la lunghezza dei cavi IR con i LED emittenti o blaster. Collocare il modulo IR il più vicino possibile alla apparecchiature A/V ed aumentare la lunghezza dei cavi tra il ricevitore IR ed il modulo IR. Se necessario, fino al massimo di 300 metri tramite cavo CAT5 (o un cavo equivalente). Tagliare il connettore standard da 3.5mm dal ricevitore IR ed aumentare la lunghezza del cavo secondo la tabella seguente:

Ricevitore IR	Cavo CAT5	Modulo IR
Rosso	Arancione	+12VDC
Nero	Blu	GND
Giallo	Verde	STATUS
Bianco	Marrone	IR DATA

### 6.3 Collegare il cavo di collegamento AVR

Le apparecchiature A/V di vari marchi (per esempio Denon, Yamaha, Onkyo, Marantz, ecc.) sono provviste di una presa diretta "IR IN" sul lato posteriore.

Un collegamento diretto con il cavo di collegamento AVR è un modo alternativo per collegare le apparecchiature A/V. In tal caso l'uso di una prolunga IR (con LED emittente o blaster) è inutile.



**Attenzione:** controllare la documentazione tecnica delle apparecchiature per determinare se il modulo IR dell'IR Control 10 XTRA può essere collegato direttamente. La maggioranza dei cavi IR è corredata di connettori da 3.5mm jack mono e si usa l'estremità per i dati IR ("IR Data") ed il rivestimento per "GND" (terra).

## 7. DOMANDE FREQUENTI

**Le apparecchiature A/V non reagiscono ai segnali dei telecomandi.**

- La sensibilità di ricezione del ricevitore IR è di circa 10 metri ad un angolo di 90 gradi. La portata dipende anche dal telecomando usato.
- Se la spia sul ricevitore IR rimane accesa, è probabile che il ricevitore IR è disturbato da un segnale di interferenza a infrarossi. Cercare di collocare il ricevitore IR in maniera tale che le fonti di disturbo, come la luce solare diretta, i TV a schermo piatto (LCD, plasma, LED), tubi fluorescenti o lampade a risparmio energetico, non diano fastidio.
- Il ricevitore IR non funziona con alcuni apparecchi e modelli A/V che usano le frequenze IR più alte, come p.e. Bang&Olufsen (B&O).
- Assicurarsi che il ricevitore IR ed il cavo di prolunga IR siano collegati nel modo giusto e che siano completamente infilati.
- Alcune finestre IR dei set-top box e dei box satellitari sono molto sensibili e quindi facili da sovrapiotare. In tal caso queste apparecchiature ricevono una radiazione infrarossa troppo grande e di conseguenza non funzioneranno più o male. Spostare il LED IR in modo tale da ricevere meno luce infrarossa attraverso la finestra IR.

Avete ancora domande che non sono state risposte qui sopra? Vi preghiamo di visitare il nostro sito [www.marmitek.com](http://www.marmitek.com)

## 8. CARATTERISTICHE TECNICHE

### Ricevitore IR

Portata di frequenza:	30-60 KHz
Portata di ricezione IR:	± 10 metri
Angolo di ricezione IR:	90° (+45°/-45° dal centro)
Lunghezza del cavo:	3 metri, aumentabile fino ai 300 metri
Indicazione di ricezione IR:	si, LED di segnalazione viola
Indicazione di stato:	si, LED di segnalazione verde
Dimensioni blocco ricevitore:	40 x 13 x 11mm

### Modulo IR

Alimentatore POWER:	100-240VAC 50/60Hz, 12VC 200mA (fornito)
Alimentatore STATUS:	5-24VDC / 5-12VAC spina, - 5.5mm esterno / + 2.1mm interno (non fornito)
Ingresso IR:	1x 3,5mm connettore jack, per ricevitore IR standard. 1x connettore a vite, per max. 6 ricevitori IR collegati in parallelo. Lunghezza aumentabile fino ai 300 metri tramite CAT5 (o cavo equivalente).
Uscita IR:	4x 3,5mm connettore jack (mono), commutabile per cavi di prolunga IR con LED emittenti e blaster
Dimensioni:	95 x 46 x 20mm

### Prolunga IR con 1 LED blaster

Connessione:	3,5mm presa jack (mono)
LED IR:	1x LED blaster IR
Lunghezza del cavo:	3 metri

### Prolunga IR con 2 LED emittenti

Connessione:	3,5mm presa jack (mono)
LED IR:	2x LED emittenti IR
Lunghezza del cavo:	3 metri

Le caratteristiche tecniche possono essere modificate senza preavviso.

## 9. OPZIONI DISPONIBILI

### **Ricevitore IR Extra (No. articolo 08142)**

Ogni sistema richiede almeno un ricevitore IR (6 al massimo). Tramite un ricevitore IR addizionale è anche possibile comandare le apparecchiature A/V da un'altra stanza. Vedere i fogli dati del ricevitore IR sul sito

[www.marmitek.com](http://www.marmitek.com).

### **Prolunga IR con un LED blaster (No. articolo 08144)**

Un LED blaster emette molto più luce a infrarossi (fino a 2 metri) in modo da poter comandare facilmente più apparecchi. Il LED blaster richiede un posizionamento meno preciso rispetto ai LED IR. Vedere i fogli dati del LED blaster sul sito [www.marmitek.com](http://www.marmitek.com).

### **Prolunga IR con due LED emittenti (No. articolo 08145)**

I cavi di prolunga IR con 2 LED emittenti vanno attaccati sull'apparecchio A/V da comandare. Vedere i fogli dati dei LED emittenti sul sito

[www.marmitek.com](http://www.marmitek.com).



#### **Informazioni relative all'ambiente per i clienti residenti nell'Unione Europea**

La direttiva europea 2002/96/EC richiede che le apparecchiature contrassegnate con questo simbolo sul prodotto e/o sull'imballaggio non siano smaltite insieme ai rifiuti urbani non differenziati. Il simbolo indica che questo prodotto non deve essere smaltito insieme ai normali rifiuti urbani domestici. È responsabilità del proprietario smaltire sia questi prodotti sia le altre apparecchiature elettriche ed elettroniche mediante le specifiche strutture di raccolta indicate dal governo o dagli enti pubblici locali. Il corretto smaltimento ed il riciclaggio aiuteranno a prevenire conseguenze potenzialmente negative per l'ambiente e per la salute dell'essere umano. Per ricevere informazioni più dettagliate circa lo smaltimento delle vecchie apparecchiature in Vostro possesso, Vi invitiamo a contattare gli enti pubblici di competenza, il servizio di smaltimento rifiuti urbani o il negozio nel quale avete acquistato il prodotto.

# VEILIGHEIDSWAARSCHUWINGEN

- Om kortsluiting te voorkomen, dient dit product uitsluitend binnenshuis gebruikt te worden, en alleen in droge ruimten. Stel de componenten niet bloot aan regen of vocht. Niet naast of vlakbij een bad, zwembad, etc. gebruiken.
- Stel de componenten van uw systeem niet bloot aan extreem hoge temperaturen of sterke lichtbronnen.
- Bij oneigenlijk gebruik, zelf aangebrachte veranderingen of reparaties, komen alle garantiebepalingen te vervallen. Marmitek aanvaardt geen productaansprakelijkheid bij onjuist gebruik van het product of door gebruik anders dan waarvoor het product is bestemd. Marmitek aanvaardt geen aansprakelijkheid voor volgschade anders dan de wettelijke productaansprakelijkheid.
- Dit product is geen speelgoed. Buiten bereik van kinderen houden.
- Het product nooit openmaken: de apparatuur kan onderdelen bevatten waarop levensgevaarlijke spanning staat. Laat reparatie of service alleen over aan deskundig personeel.
- Sluit de voedingsadapter pas op het lichtnet aan nadat u hebt gecontroleerd of de netspanning overeenkomt met de waarde die op de typeplaatjes is aangegeven. Sluit een voedingsadapter of netsnoer nooit aan wanneer deze beschadigd is. Neem in dat geval contact op met uw leverancier.

# INHOUDSOPGAVE

1. INTRODUCTIE .....	54
2. INHOUD VAN DE VERPAKKING .....	54
3. WERKING .....	54
4. AANSLUITINGEN .....	55
4.1. IR input .....	55
4.2. POWER input .....	56
4.3. IR output .....	56
5. INSTALLATIE .....	56
5.1. Plaatsing van de IR Ontvanger .....	56
5.2. Plaatsing van de IR verlengkabel met één blaster LED .....	57
5.3. Installatie van de IR Verlengkabel met emitter LED's .....	57
5.4. Plaatsing van de IR Module .....	58
5.5. Aansluiten van de IR Module .....	58
5.6. Test de werking van het product .....	58
6. GEAVANCEERDE INSTALLATIE .....	59
6.1. Meerdere IR Ontvangers aansluiten .....	59
6.2. Kabel lengte van de IR Ontvanger verlengen .....	59
6.3. AVR verbindingkabel aansluiten .....	59
7. VEEL GESTELDE VRAGEN .....	60
8. TECHNISCHE GEGEVENS .....	61
9. OPTIONEEL VERKRIJGBAAR .....	62

# 1. INTRODUCTIE

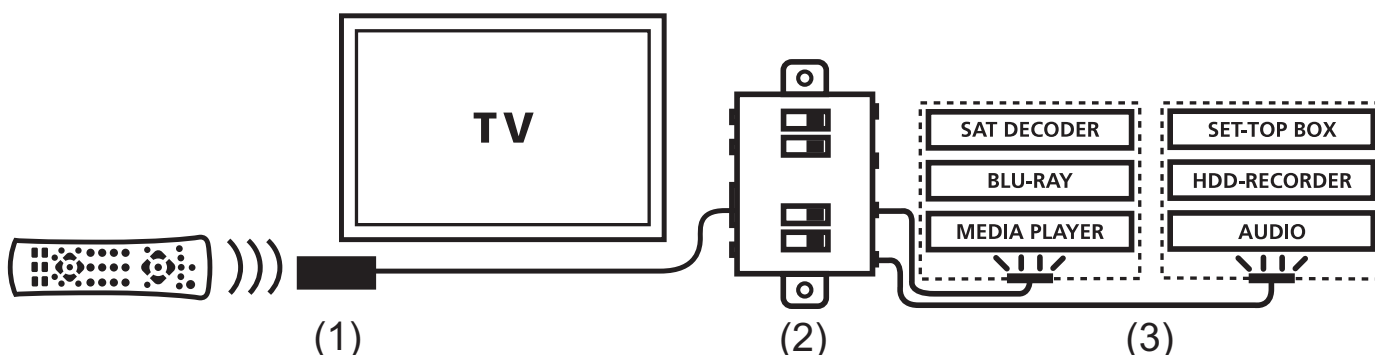
Gefeliciteerd met uw aankoop van de IR Control 10 XTRA™. Hiermee kunt u de IR (infrarood) signalen van afstandsbedieningen verlengen. De IR Control 10 XTRA™ maakt het mogelijk om A/V apparaten te bedienen terwijl deze in een gesloten kast staan of wanneer uw A/V apparaten uit het zicht staan.

## 2. INHOUD VAN DE VERPAKKING

- 1 x IR Module
- 1 x IR Ontvanger
- 2 x IR Verlengkabel met één IR blaster LED
- 1 x IR Verlengkabel met twee IR emitter LED's
- 1 x AVR verbindingkabel
- 1 x Voedingsadapter
- 1 x Gebruiksaanwijzing

## 3. WERKING

Plaats uw A/V apparatuur in een gesloten kastje, tv meubel of zelfs in een andere ruimte. De IR ontvanger dient in het zicht van uw eigen afstandsbediening geïnstalleerd te worden. Plak de IR blaster LED waar u maar wilt in het kastje en werk de IR hoofd module netjes weg. Richt de afstandsbediening op de IR ontvanger om het gewenste commando (via de IR hoofd module) naar de IR LED's te sturen, deze zullen dit infrarood commando direct doorgeven aan de A/V apparatuur.



De IR Control 10 XTRA™ bestaat uit drie hoofd onderdelen;

### (1) IR ontvanger

De IR ontvanger vangt infrarood commando's op van uw eigen afstandsbediening en stuurt deze door naar de IR Module.

### (2) IR Module

De IR Module ontvangt de infrarood commando's van de IR ontvanger, verwerkt deze en stuurt ze door naar alle aangesloten IR verlengkabels.

### (3) IR verlengkabel met twee emitter LED's of één blaster LED

De IR verlengkabel ontvangt de infrarood commando's van de IR Module en zet deze via de IR LED's of IR blasters om naar infrarood signalen. De IR emitter LED's hebben een beperkt bereik en moeten daarom nauwkeurig op het IR venster van het te bedienen A/V apparaat geplakt worden. Een IR blaster LED straalt veel meer infrarood licht uit (tot zelfs 2 meter) waardoor deze eenvoudig meerdere apparaten kan bedienen en plaatsing hiervan minder nauwkeurig is.

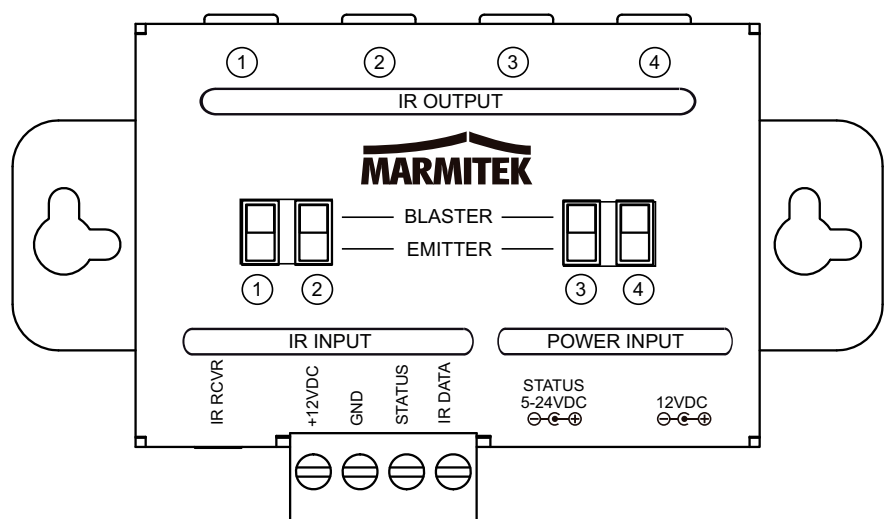
## 4. AANSLUITINGEN

De IR Module is het hoofdonderdeel dat IR ontvangers, voedingsadapter en IR verlengkabels met elkaar verbindt. Om alle mogelijkheden optimaal te kunnen benutten worden hieronder alle aansluitingen van de IR Module uitgelegd.

### 4.1. IR input

**IR RCVR:** standaard IR ingang (3.5mm jack) voor de meegeleverde IR Ontvanger

**SCHROEFTERMINAL:** IR ingang om maximaal 6 IR Ontvangers in parallel aan te sluiten.



+12VDC: Rood    GND: Zwart    STATUS: Geel    IR DATA: Wit

## 4.2 POWER input

**12VDC:** Voedingsadapter voor de IR Module (meegeleverd), 5VDC/200mA

**STATUS:** Voedingsadapter voor het Status signaal (niet meegeleverd), 5-24VDC of 5-12VAC

## 4.3 IR output

1 – 4: vier mini jack uitgangen voor het aansluiten van IR verlengkabels.

**EMITTER / BLASTER:** iedere uitgang is apart schakelbaar om blaster of emitter LED's aan te sluiten.

# 5. INSTALLATIE

Ter controle van de goede werking van het systeem is het raadzaam om de opstelling zoals u die hebt gepland eerst te testen. Sluit hiervoor alles aan zoals hieronder omschreven maar plak de componenten nog niet definitief vast.

## 5.1 Plaatsing van de IR Ontvanger

Plaats de zeer kleine IR Ontvanger zo dat deze zichtbaar is voor uw (infrarood) afstandsbediening en de verzonden commando's kan ontvangen (max. 10 meter).

- De meest logische plaats voor de IR Ontvanger is bijvoorbeeld op het kastje waarin de A/V apparatuur zich bevindt of in de buurt van de TV.
- Door de uitsparing in de behuizing op de achterzijde van de IR Ontvanger kunt u de kabel via de onder- of achterzijde geleiden, waardoor de kabel eenvoudig is weg te werken.
- Door de bijgeleverde zelfklevende strip te gebruiken is plaatsing vrijwel overal mogelijk.
- Experimenteer voor de juiste plaats voordat u de IR ontvanger definitief vastplakt.

**Let op!** De plakstrip kan op bepaalde oppervlakken verkleuring veroorzaken of bij verwijdering lijmresten achterlaten.

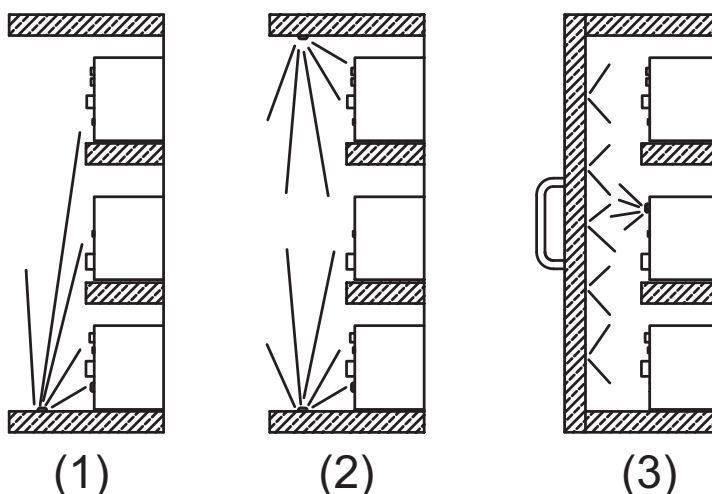


## 5.2 Plaatsing van de IR verlengkabel met één blaster LED

Marmitek adviseert het gebruik van IR blaster LED's omdat deze meerdere A/V apparaten gelijktijdig kan bedienen en de installatie hiervan zeer eenvoudig is. Gebruik de meegeleverde IR verlengkabel met emitter LED's enkel als probleem oplosser indien één of meerdere apparaten niet bediend kunnen worden (zie hoofdstuk 5.3).

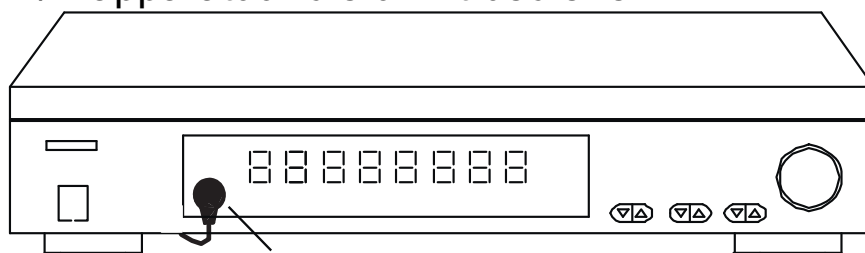
Plaats de IR blaster LED in het kastje van de A/V apparatuur die u wilt bedienen.

- Bij een juiste plaatsing kan één blaster LED alle A/V apparatuur bedienen die in hetzelfde compartiment staan.
- In sommige situaties is het nodig een tweede blaster LED te plaatsen als niet alle A/V apparatuur met één blaster LED bediend kan worden.
- Of u plaatst de blaster LED op één van de A/V apparaten in het midden van kastje en de overige apparatuur zal door reflectie van het infrarood signaal ook bediend worden.



## 5.3 Installatie van de IR Verlengkabel met emitter LED's (als probleemoplosser)

Plaats de LED's van de IR verlengkabel precies op het IR venster (infrarood sensor) van de A/V apparatuur die u wilt bedienen.



- Zorg ervoor dat de LED's van de IR verlengkabel precies op de infrarood sensor van het A/V apparaat worden geplakt (bij sommige apparatuur komt dit zeer precies). De exacte positie kunt u eenvoudig

vinden door met een zaklamp op het voorpaneel te schijnen en naar het venster van de IR sensor te zoeken.

- Alle IR LED's bevatten een zelfklevende folie waarmee ze op het IR venster van uw A/V apparaat worden bevestigd.
- Test eerst de positie en de werking van de IR LED's voordat u ze definitief vastplakt op het IR venster van uw A/V apparaat.
- Gebruikt u maar één van de twee LED's, laat dan de overige IR LED ongebruikt. Verwijder deze nooit van de Verlengkabel!

## 5.4 Plaatsing van de IR Module

Plaats de IR Module op een bereikbare plaats achter of naast uw A/V apparaten, en in de buurt van een stopcontact.

- Houd rekening met de draadlengte van de IR LED's en de IR Ontvanger.
- Let er op dat de aansluitingen voor installatie toegankelijk blijven.

## 5.5 Aansluiten van de IR Module

1. Sluit de geïnstalleerde IR Verlengkabels aan op "IR OUT" aansluiting van de IR Module.
2. Zet uitsluitend de schakelaars van de IR Module in de BLASTER stand als daarop een IR verlengkabel met één blaster LED is aangesloten. Laat in alle andere gevallen de schakelaar in de EMITTER stand staan. LET OP: Een verkeerde keuze tussen deze twee standen kan schade aan de IR LED's veroorzaken waardoor deze defect kunnen raken.
3. Sluit de geïnstalleerde IR Ontvangerkabel aan op de "IR RCVR" aansluiting van de IR Module.
4. Sluit de voedingsadapter aan op de "12VDC" aansluiting van de IR Module en plug deze in een stopcontact.

## 5.6 Test de werking van het product

1. Als de IR Control 10 XTRA™ juist is aangesloten dan knippert het lampje op de IR Ontvanger als u een knop van de (infrarood) afstandsbediening in drukt en deze op de IR Ontvanger richt.
2. Sluit de deurtjes van uw kastje en voorkom dat de A/V apparatuur ook direct van de afstandsbediening een infrarood commando kunnen ontvangen, dit kan namelijk tot bedieningsproblemen leiden.
3. U kunt nu uw A/V apparatuur bedienen via de IR Control 10 XTRA™ door gesloten kast deurtjes heen!

Indien de IR Control 10 XTRA niet op juiste manier reageert experimenteer dan met de plaatsing van de IR Ontvanger en/ of IR Verlengkabels (emitter of blaster). Een andere plaatsing kan een beter eindresultaat opleveren.

## 6. GEAVANCEERDE INSTALLATIE

### 6.1 Meerdere IR Ontvangers aansluiten

Wilt u de A/V apparatuur vanuit meerdere ruimtes kunnen bedienen kunt u tot maximaal 6 IR Ontvangers in parallel aansluiten op de IR Module. Knip daarbij de standaard connector van de IR Ontvanger en sluit deze aan op de SCHROEFTERMINAL van de IR Module (zie paragraaf 4.1).

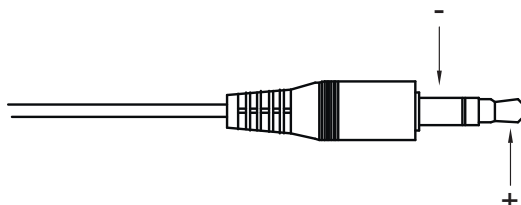
### 6.2 Kabel lengte van de IR Ontvanger verlengen

Alleen de bekabeling tussen de IR Ontvanger en IR Module kan verlengd worden. De IR kabels met emitter of blaster LED's kunnen niet verlengd worden. Plaats de IR Module zo dicht mogelijk bij uw A/V apparatuur en verleng de bekabeling tussen de IR Ontvanger en IR Module indien nodig tot maximaal 300 meter met behulp van CAT5 kabel (of gelijkwaardig). Knip de standaard 3.5mm connector van IR Ontvanger kabel en verleng de kabel volgens onderstaand voorbeeld.

IR Ontvanger	CAT5 kabel	IR Module
Rood	Oranje	+12VDC
Zwart	Blauw	GND
Geel	Groen	STATUS
Wit	Bruin	IR DATA

### 6.3 AVR verbindingskabel aansluiten

A/V apparatuur van verschillende merken (bijvoorbeeld Denon, Yamaha, Onkyo, Marantz, etc) beschikken over een directe "IR IN" aansluiting op de achterzijde. Een directe verbinding met de AVR verbindingskabel is een alternatieve manier om uw A/V apparatuur aan te sluiten. Het gebruik van een IR verlengkabel (met emitter of blaster LED) is hierbij overbodig.



**Let op;** Controleer de technische documentatie van uw apparatuur om te bepalen of de IR Module van de IR Control 10 XTRA direct aangesloten kan worden. De meeste IR kabels gebruiken een 3.5mm mono jack aansluiting waarbij het uiteinde wordt gebruikt voor de "IR Data" en de mantel voor "GND".

## **7. VEEL GESTELDE VRAGEN**

**De apparatuur reageert niet op signalen van mijn afstandsbediening.**

- De IR Ontvanger heeft een ontvangstgevoeligheid van ongeveer 10 meter bij een openingshoek van 90 graden. Bereik is ook afhankelijk van de gebruikte afstandsbediening.
- Indien het lampje op de IR Ontvanger continue brandt wordt de IR Ontvanger mogelijk verstoord door een infrarood stoorsignaal. Probeer de IR Ontvanger zodanig te plaatsen dat deze zo min mogelijk last heeft van mogelijke storingsbronnen zoals direct invallend zonlicht, Flat Screen TV's (LCD, Plasma, LED), TL verlichting of spaarlampen.
- De IR Ontvanger werkt niet samen met sommige A/V apparaten en modellen die gebruik maken van hogere IR frequenties zoals bv. Bang&Olufsen (B&O).
- Sommige IR vensters van settop en satelliet boxen zijn zeer gevoelig en eenvoudig te oversturen. Deze apparaten ontvangen dan te veel infrarood straling en zullen daardoor niet of slecht werken. Verplaats de IR LED zodat er minder infraroodlicht via het IR venster ontvangen wordt.

Heeft u vragen die hierboven niet beantwoord worden? Kijk dan op [www.marmitek.com](http://www.marmitek.com).

# 8. TECHNISCHE GEGEVENS

## IR ontvanger

Frequentie bereik:	30-60 KHz
IR ontvangst bereik:	± 10 Meter
IR ontvangst hoek:	90° (+45°/-45° vanaf center)
Kabellengte:	3 meter, verlengbaar tot 300 meter
IR ontvangst indicatie:	JA, paarse indicatie LED
Status indicatie:	JA, groene indicatie LED
Afmeting ontvanger blokje:	40 x 13 x 11mm

## IR Module

Voeding POWER:	100-240VAC 50/60Hz, 12VC 200mA (meegeleverd)
Voeding STATUS:	5-24VDC / 5-12VAC plug, - 5.5mm buiten / + 2.1mm binnen (niet meegeleverd)
IR ingang:	1x 3,5mm jack aansluiting, voor standaard IR Ontvanger 1x schroef connector, voor maximaal 6 parallel aangesloten IR ontvangers. Verlengbaar tot 300 meter via CAT5 (of equivalent)
IR uitgang:	4x 3,5mm jack plug (mono), schakelbaar voor IR verlengkabels met emitter en blaster LED's
Afmetingen:	95 x 46 x 20mm

## IR Verlengkabel met 1 blaster LED

Aansluiting:	3,5mm jack plug (mono)
IR LED's:	1x IR blaster LED
Kabel lengte:	3 meter

## IR Verlengkabel met 2 emitter LED's

Aansluiting:	3,5mm jack plug (mono)
IR LED's:	2x IR emitter LED's
Kabel lengte:	3 meter

Specificaties kunnen wijzigen zonder voorafgaande melding hiervan.

# 9. OPTIONEEL VERKRIJGBAAR

## **Extra IR Ontvanger (Artnr. 08142)**

Elk systeem heeft minimaal één IR Ontvanger nodig (maximaal 6). Met behulp van een extra IR Ontvanger kunt u uw A/V apparaten ook bedienen vanaf een andere ruimte. Zie datasheets van de IR ontvangers op [www.marmitek.com](http://www.marmitek.com)

## **IR verlengkabel met één blaster LED (Artnr. 08144)**

Een IR blaster straalt veel meer infrarood licht uit (tot zelfs 2 meter) waardoor deze eenvoudig meerdere apparaten kan bedienen. Plaatsing van de IR blaster is ten opzichte van de IR LED's veel minder nauwkeurig. Zie datasheets van de IR Blaster LED op [www.marmitek.com](http://www.marmitek.com).

## **IR verlengkabel met twee emitter LED's (Artnr. 08145)**

De IR verlengkabels met 2 emitter LED's moeten op het A/V apparaat geplakt worden dat u wilt bedienen. Zie datasheets van de IR emitter LEDs op [www.marmitek.com](http://www.marmitek.com).



### **Milieu-informatie voor klanten in de Europese Unie**

De Europese Richtlijn 2002/96/EC schrijft voor dat apparatuur die is voorzien van dit symbool op het product of de verpakking, niet mag worden ingezameld met niet-gescheiden huishoudelijk afval. Dit symbool geeft aan dat het product apart moet worden ingezameld. U bent zelf verantwoordelijk voor de vernietiging van deze en andere elektrische en elektronische apparatuur via de daarvoor door de landelijke of plaatselijke overheid aangewezen inzamelingskanalen. De juiste vernietiging en recycling van deze apparatuur voorkomt mogelijke negatieve gevolgen voor het milieu en de gezondheid. Voor meer informatie over het vernietigen van uw oude apparatuur neemt u contact op met de plaatselijke autoriteiten of afvalverwerkingdienst, of met de winkel waar u het product hebt aangeschaft.

**Hereby, Marmitek BV, declares that this IR CONTROL 10 XTRA™ is in compliance with the essential requirements and other relevant provisions of the following Directives:**

Directive 2004/108/EC of the European Parliament and of the Council of 15 December 2004 on the approximation of the laws of the Member States relating to electromagnetic compatibility

Directive 2006/95/EC of the European Parliament and of the Council of 12 December 2006 on the harmonisation of the laws of Member States relating to electrical equipment designed for use within certain voltage limits

Directive 2002/95/EC of the European Parliament and of the Council of 27 January 2003 on the restriction of the use of certain hazardous substances in electrical and electronic equipment

**Hiermit erklärt Marmitek BV die Übereinstimmung des Gerätes IR CONTROL 10 XTRA™ den grundlegenden Anforderungen und den anderen relevanten Festlegungen der Richtlinien:**

Richtlinie 2004/108/EG des europäischen Parlaments und des Rates vom 15. Dezember 2004 zur Angleichung der Rechtsvorschriften der Mitgliedstaaten über die elektromagnetische Verträglichkeit

Richtlinie 2006/95/EG des Europäischen Parlaments und des Rates vom 12. Dezember 2006 zur Angleichung der Rechtsvorschriften der Mitgliedstaaten betreffend elektrische Betriebsmittel zur Verwendung innerhalb bestimmter Spannungsgrenzen

Richtlinie 2002/95/EG des Europäischen Parlaments und des Rates vom 27. Januar 2003 zur Beschränkung der Verwendung bestimmter gefährlicher Stoffe in Elektro- und Elektronikgeräten

**Par la présente Marmitek BV déclare que l'appareil IR CONTROL 10 XTRA™ est conforme aux exigences essentielles et aux autres dispositions pertinentes de la directives:**

Directive 2004/108/CE du parlement européen et du conseil du 15 décembre 2004 relative au rapprochement des législations des États membres concernant la compatibilité électromagnétique

Directive 2006/95/CE du Parlement européen et du Conseil du 12 décembre 2006 concernant le rapprochement des législations des États membres relatives au matériel électrique destiné à être employé dans certaines limites de tension

Directive 2002/95/CE du Parlement européen et du Conseil du 27 janvier 2003 relative à la limitation de l'utilisation de certaines substances dangereuses dans les équipements électriques et électroniques

**Marmitek BV declara que este IR CONTROL 10 XTRA™ cumple con las exigencias esenciales y con las demás reglas relevantes de la directriz:**

Directiva 2004/108/CE del parlamento europeo y del consejo de 15 de diciembre de 2004 relativa a la aproximación de las legislaciones de los Estados miembros en materia de compatibilidad electromagnética

Directiva 2006/95/CE del Parlamento Europeo y del Consejo de 12 de diciembre de 2006 relativa a la aproximación de las legislaciones de los Estados miembros sobre el material eléctrico destinado a utilizarse con determinados límites de tensión

Directiva 2002/95/CE del Parlamento Europeo y del Consejo de 27 de enero de 2003 sobre restricciones a la utilización de determinadas sustancias peligrosas en aparatos eléctricos y electrónicos

**Con ciò, Marmitek BV, dichiara che il IR CONTROL 10 XTRA™ è conforme ai requisiti essenziali ed alle disposizioni relative alla Direttiva :**

Direttiva 2004/108/CE del parlamento europeo e del consiglio del 15 dicembre 2004 concernente il ravvicinamento delle legislazioni degli Stati membri relative alla compatibilità elettromagnetica

Direttiva 2006/95/CE del Parlamento europeo e del Consiglio del 12 dicembre 2006 concernente il ravvicinamento delle legislazioni degli Stati membri relative al materiale elettrico destinato ad essere adoperato entro taluni limiti di tensione

Direttiva 2002/95/CE del Parlamento europeo e del Consiglio del 27 gennaio 2003 sulla restrizione dell'uso di determinate sostanze pericolose nelle apparecchiature elettriche ed elettroniche

**Bij deze verklaart Marmitek BV, dat deze IR CONTROL 10 XTRA™ voldoet aan de essentiële eisen en aan de overige relevante bepalingen van Richtlijnen:**

Richtlijn 2004/108/EG van het Europees Parlement en de Raad van 15 december 2004 betreffende de onderlinge aanpassing van de wetgevingen van de lidstaten inzake elektromagnetische compatibiliteit

Richtlijn 2006/95/EG van het Europees Parlement en de Raad van 12 december 2006 betreffende de onderlinge aanpassing van de wettelijke voorschriften der lidstaten inzake elektrisch materiaal bestemd voor gebruik binnen bepaalde spanningsgrenzen

Richtlijn 2002/95/EG van het Europees Parlement en de Raad van 27 januari 2003 betreffende beperking van het gebruik van bepaalde gevaarlijke stoffen in elektrische en elektronische apparatuur

MARMITEK BV - P.O. BOX 4257 - 5604 EG EINDHOVEN – THE NETHERLANDS



### Copyrights

Marmitek is a trademark of Pattitude B.V. IR CONTROL 10 XTRA™ is a trademark of Marmitek B.V.

Copyright and all other proprietary rights in the content (including but not limited to model numbers, software, audio, video, text and photographs) rests with Marmitek B.V. Any use of the Content, but without limitation, distribution, reproduction, modification, display or transmission without the prior written consent of Marmitek is strictly prohibited. All copyright and other proprietary notices shall be retained on all reproductions.



**MARMITEK**®  
[www.marmitek.com](http://www.marmitek.com)