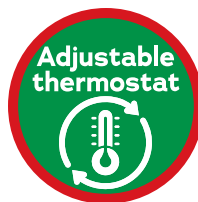




Magnani
Italy

3 IN 1 FONDUE - RACLETTE & GRILL

Spiglia per fonduta e raclette 3 in 1



USER MANUAL

Model: MI-HA-FRTO1-B

USER MANUAL: MAGNANI – 3 IN 1 FONDUE - RACLETTE & GRILL

MODEL: MI-HA-FRTO1-B

TABLE OF CONTENT

- 1) Package contents
- 2) Safety instructions
- 3) Installing and using the product
- 4) Cleaning and maintenance
- 5) Specifications
- 6) Storage & transportation



1) PACKAGE CONTENTS

- Raclette grill
- Non-stick fondue pot (1x)
- Non-stick raclette pans (8x)
- Fondue forks (6x)
- Fondue fork ring holder (1x)
- User manual



2) SAFETY INSTRUCTIONS

The following precautions must always be taken in consideration before using the “Magnani – 3 in 1 fondue – raclette & grill”, hereinafter referred to as the ‘device’.



WARNING !



Some of the parts and accessories of this device can become hot. Do not touch these parts to avoid burning yourself.

General information

- Read the instructions for use carefully and keep them safe. If you give this device to other people, please also pass on this manual.
- Only use this device in accordance with the instructions in this user manual.
- This device can be used by children aged 8 and over and people with restricted physical, sensory or mental capacity or a lack of experience and expertise, provided they are under supervision or have been given instructions about safely using the device and are aware of the potential hazards. Children must not play with the device. Cleaning and maintenance must not be done by children unless they are over the age of 8 and under supervision.
- Keep the device and power cord out of the reach of children below the age of 8 years.
- This device is intended for domestic or similar use, not for professional use.



- **WARNING!** Do not leave packaging material lying around carelessly. This may become dangerous playing material for children. **Risk of suffocation!**

Electricity and heat

- Prior to use, check that the mains voltage is the same as the mains voltage stated on the name plate of the device.

- Make sure your hands are dry before touching the device, power cord or plug.
- Plug the power plug into an earthed electrical outlet that is easily accessible at all times.



• **WARNING!** Never cover the power plug or cable with cloths, curtains or any other material in order to prevent overheating and potential fire hazards.

- Make sure that the device and power cable do not come into contact with heat sources, like a hot hob or naked flame.
- The device must be able to dispel its heat in order to prevent the risk of fire. Therefore, make sure the device has sufficient free space around it (at least 20 cm on all sides) and do not place the device against and/or on or near combustible materials.



• **WARNING!** Do not cover the device to prevent overheating and potential fire hazards.

- Check the power cord regularly for damage.
- Never use the device if the power cord shows signs of damage, if the device has fallen on the ground or shows any other signs of damage.
- Switch OFF the device and remove the power plug if you discover any faults during use, find any signs of damage, are not using the device or are cleaning it.
- Make sure the power cord cannot be trodden on or pinched.
- Do not allow the power cord to hang over sharp edges and keep it away from hot objects and naked flames.
- When plugging in the power plug, make sure people cannot accidentally pull it out or trip over it.
- Remove the power plug from the power socket during lightning storms or if unused for long periods of time.
- When removing the plug from the power socket, pull the plug itself, not the cable.
- Do not operate the device using an external time switch or a separate remote control system.
- Use a 10 amp cable if an extension cable is required. Cables with a lower amp rating may burn out.
- When using an extension cable, make sure it is completely extended.



• **WARNING!** To reduce the risk of fire or electric shock, protect the device from dripping or splashing water and keep away from objects filled with liquids, such as vases. Such objects should not be placed on or near the device.

Use

- Do not use the device in the vicinity of flammable materials.
- **Do not leave the device unattended when it is in use.**
- This device is not a toy and should be kept under strict supervision to prevent children from using the device as a toy.
- Do not allow children to clean or maintain this device unsupervised.
- Never allow children to use domestic appliances as toys or without supervision. Children are unable to judge the hazards associated with incorrectly using electric appliances.
- Children in the vicinity of the device must always be supervised by an adult.
- Always ensure the device is properly assembled before use.
- Place the device on a flat and stable surface, in a place where it cannot fall over.
- Do not lean on the device.
- Maintain a clearance of at least 20 cm around the device. This prevents damage from heat.
- Do not use the device without grill plate and fondue pot in place.
- When using, do not touch by hand or any other means.



• Do not use hands or any other body parts to feel the temperature of the device while it is being used.

- Never move the device when it is switched ON or still warm. First switch OFF the device and only move it when it has cooled down.
- Do not use the fondue pot, grill plate, fondue forks or raclette pans in a conventional oven.
- Do not place the fondue pot, grill plate, fondue forks or raclette pans onto a hot gas or electric burner.
- Only use the fondue pot, grill plate, fondue forks or raclette pans with the device. Do not use any other fondue pot, grill plate, fondue forks or raclette pans.
- Do not use a damaged or cracked fondue pot, grill plate, fondue forks or raclette pans.
- Do not fill the fondue pot of the device above the “MAX” indicator.
- Do not use the fondue pot if the level is below the “MIN” indicator.
- Do not underfill or overfill the removable fondue pot with frying fat, frying oil, stock or cheese.



• **WARNING! Explosion danger.** Use fresh, clean fat or oil that is suitable for fondue. Old, worn out or unsuitable fat / oil can ignite at low temperatures. If the fat or oil starts to burn, never remove the fondue pot. Never extinguish the fat or oil in the fondue pan with water, because of explosion hazard. Extinguish the fire with a matching pan lid or a fire blanket. Even if the flames are no longer visible, do not remove the lid or

blanket from the fondue pot until it has cooled down completely. If the lid or blanket is removed while the fondue pot is still hot, the fat / oil in the fondue pot may start to burn again.



• **WARNING! Danger to life from burning.** Do not leave children unattended with the fondue pan, as improper use can cause it to fall over and cause severe burns from the hot fat, oil, stock or cheese.

In case of burning, immediately cool for 10 to 20 minutes with lukewarm tap water. Also take off clothing and jewellery as quickly as possible. Leave clothes that stick to the wound. Do not apply substances (such as cream) to the burn. Temporarily cover the wound with plastic cling film. Seek medical attention after cooling:

- if you have a blister on your face, hands, feet or genitals
- if the burn is larger than half of the hand of the person who burned himself
- if the burned area is yellowish-white, brown or black and does not hurt

For burns to children, always seek medical attention after cooling.

- It is advisable to place a heat-resistant covering between the table and the device, to prevent the heat leaving marks on your table.
- Do not move the device during cooking.
- Do not move the device when the fondue pot is placed on the device. The fondue pot can slide off the grill plate.



• Never move the device when it is switched ON or still warm. First switch OFF the device and only move it when it has cooled down.

- The surfaces of the device become hot during use. **DO NOT TOUCH!**
- Only use heat resistant tools featuring a handle that is well insulated against heat.
- If using plastic utensils, do not leave them inside or on the device when it is hot!
- Wear oven gloves when handling the device during and immediately after use and use heat resistant utensils when checking food.
- Do not use sharp objects in the fondue pot or on the grill plate and raclette pans. These damage the non-stick coating.



• **WARNING!** Do not eat directly from the fondue forks, to avoid cut and stab wounds, the forks are very sharp and pointed.

- **WARNING!** To avoid burns, do not eat directly from the fondue forks or touch the metal when the fondue forks come from the hot fat, oil, broth, or cheese.
- Clean the device thoroughly after use (see “cleaning and maintenance”).
- Do not place the fondue pot, grill plate or raclette pans into cold water or freezer when hot.
- When in use and when stored, do not place anything other than the fondue pot or grill plate on top of the assembled device.
- Avoid locations subject to vibrations, cold or humidity.
- Do not expose the device to direct sunlight, heat sources, excessive humidity or corrosive environments.
- Do not place the device under any mechanical stress.
- Improper use of the device could damage the product.
- Please handle the device carefully. Impacts or falls, even from a low height, can damage the device.
- Do not open the casing as this may result in electric shock.
- Do not attempt to disassemble or repair the device or modify it in any manner.
- The device must be serviced if it has been damaged in any way, i.e. the power supply cord/plug is damaged; liquid has been spilled; objects have fallen into it; it has been exposed to rain or moisture; it has been dropped or does not operate properly.
- Do not use abrasive cleaning solvents to clean the device.
- Do not use foreign objects to clean the device.
- This device is intended for domestic purposes only, not for professional use.



Important information, follow these instructions

- This device can be used by children aged 8 and over and people with restricted physical, sensory or mental capacity or a lack of experience and expertise, provided they are under supervision or have been given instructions about safely using the device and are aware of the potential hazards. Children must not play with the device. Cleaning and maintenance must not be done by children unless they are over the age of 8 and under supervision.
- Only use the device indoors, in dry areas and not in the vicinity of water, other liquids or humidity.
- Do not use the device if it, the cable or power plug has fallen into water or any kind of fluid.
- Never immerse the device, cable and power plug in water or any kind of fluid.

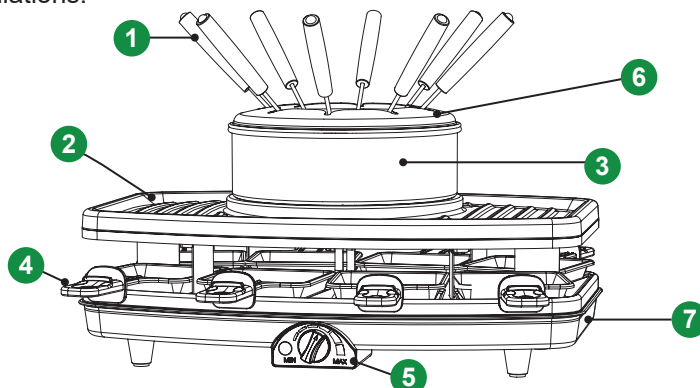
- Do not pick up the device if it has fallen into water or any kind of fluid. Remove the plug from the power socket immediately. Do not use the device again.
- Parts of the device can become hot. Do not touch these parts to avoid burning yourself.

3) INSTALLING AND USING THE DEVICE

Open the packaging carefully before taking out the device. Make sure the device is complete and undamaged. If any components are missing or damaged, contact the vendor and do not use the product. Retain the packaging or recycle it in accordance with local regulations.

Parts & features of the device

- ① Fondue forks (6 pcs)
- ② Grill plate (removable)
- ③ Fondue pot
- ④ Raclette pans (8 pcs)
- ⑤ Thermostat knob
- ⑥ Fondue fork ring holder
- ⑦ Heating base

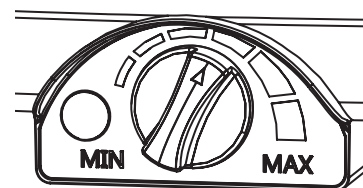


First use

- Remove the device and accessories from the box. Remove any stickers, protective film or plastic from the device.
- Before you use the device for the first time, clean the base with a damp cloth and rinse all the removable parts with soapy water.
- Thoroughly dry the base and all removable parts.
- Never use aggressive or abrasive cleaning materials, a scouring sponge or steel wool; these damage the device, fondue pot, grill plate and raclette pans.
- Place the device on a flat, stable surface, in a place where it cannot fall over.
- Fit the grill plate ② onto the mounting brackets of the heating base ⑦. Ensure that the grill plate is placed horizontally and is secure. Then place the fondue pot ③ in such a way that the heating element is covered.
- When you want to use the device with the fondue pot ③, place the fondue pot into the centre (round circle) of the grill plate ② and fit the fondue fork ring holder ⑥ on the fondue pot.
- Make sure that the thermostat knob ⑤ is set to the MIN position.
- Connect the device to the mains power.

Power ON/OFF

- When the device is connected to the mains power, make sure that the thermostat knob ⑤ is set to the MIN position.
- When turning the thermostat knob clockwise, the LED light (to the left of the thermostat knob) will light up in red.
- To switch off the device, make sure that the thermostat knob ⑤ is set to the MIN position, the LED light will no longer light up.
- Then remove the power plug from the mains power.



Cooking with grill plate

- Before each use, make sure the heating base ⑦, fondue pot ③, fondue fork holder ⑥ and grill plate ② are clean and dry, and that the grill plate is placed horizontally and is secure.
- Place the device on a flat, stable surface, in a place where it cannot fall over.
- Make sure that the thermostat knob ⑤ is set to the MIN position.
- Preheat the grill plate for ± 5 minutes by turning the thermostat knob ⑤ clockwise to the MAX position, the LED light will light up in red. Make sure the fondue pot ③ is placed in the grill plate, in such a way that the heating element is covered.
- Do not preheat the raclette pans.
- It is recommended to brush a layer of cooking oil on the grill plate.
- When using the raclette for the first time, a slight odour and smoke might occur, this is normal. The odour and smoke will disappear after a few minutes.
- When the device has preheated, turn the thermostat knob to set the desired temperature.
- Add ingredients to the raclette pans and/or grill plate (see “Cooking foods”).
- Place the raclette pans onto the heating base under the grill plate, do not overfill the raclette pans.

- The device is equipped with a thermostat. During cooking the LED indicator will switch OFF when the set temperature is reached and will switch ON again when the device is heating.

Cooking with fondue pot

- Before each use, make sure the heating base ⑦, fondue pot ③, fondue fork ring holder ⑥ and grill plate ② are clean and dry, and that the grill plate is placed horizontally and is secure.
- Do not overfill the removable fondue pot. Fill the removable fondue pot above the MIN and below the MAX indicator with frying fat, frying oil, stock or cheese.
- Place the device on a flat, stable surface, in a place where it cannot fall over.
- Place the fondue pot into the centre (round circle) of the grill plate ② and fit the fondue fork ring holder ⑥ on the fondue pot.
- Make sure that the thermostat knob ⑤ is set to the MIN position.
- Preheat the grill plate and fondue pot for ± 5 minutes by turning the thermostat knob ⑤ clockwise to the MAX position, the LED light will light up in red.
- When the device has preheated, add ingredients to the fondue pot (see “Cooking foods”).
- Only use the supplied fondue forks.
- When the device has preheated, turn the thermostat knob to set the desired temperature.
- The device is equipped with a thermostat. During cooking the LED indicator will switch OFF when the set temperature is reached and will switch ON again when the device is heating.

Cooking foods

- To cook more evenly and faster, cut raw meat in small, thin slices. **Always cook raw meats on the grill plate or in the fondue pot.**
- Turn meat, fish, seafood and vegetables frequently when cooking. Cook meat thoroughly.
- Marinate meat and vegetables before grilling them on the grill plate. Pay close attention when grilling, as marinated foods brown more quickly.



• **WARNING!** Do not cook raw meats in the raclette pans. Avoid cross contaminations from different types of food.



• **WARNING! Splash danger.** Use a paper towel to remove moisture off the meat, vegetables or other foods before putting the foods on the grill or in the fat/oil of the fondue pot.



• **WARNING! Explosion danger.** Use fresh, clean fat or oil that is suitable for fondue. Old, worn out or unsuitable fat / oil can ignite at low temperatures. **If the fat or oil starts to burn, NEVER remove the fondue pot. NEVER extinguish the fat or oil in the fondue pan with water, because of an explosion hazard. Extinguish the fire with a matching pan lid or a fire blanket. Even if the flames are no longer visible, do not remove the lid or blanket from the fondue pot until it has cooled down completely. When removing the lid or blanket while the fondue pot is still hot, the fat / oil in the fondue pot may start to burn again.**



• **WARNING! Danger to life from burning.** Do not leave children unattended with the fondue pot, as improper use can cause it to fall over and cause severe burns from the hot fat, oil, stock or cheese.



• **CAUTION!** Prevent burns. Do not touch the metal of the fondue forks while fonduing. Hold the fondue forks by the handle.



• **CAUTION!** Prevent burns. Do not touch the grill plate, fondue pot and fondue fork holder; these are very hot. When removing, use a heatproof stand or coaster and kitchen gloves.

- Do not use metal items to remove dirt or grease from the grill plate, raclette pans or fondue pot. This prevents the non-stick coating from being damaged. Use a damp cloth or paper to remove dirt or grease from the grill plate, raclette pans or fondue pot.

4) CLEANING AND MAINTENANCE

- Clean the device after each use.
- Set the thermostat knob of the device to the MIN position, remove the plug from the mains power and allow the device to cool down fully (± 30 minutes).
- Do not pour liquid fat or oil down the drain: solidified fat can clog your home pipes. Hand these substances over to your local collection point for recycling.
- Never immerse the device in water or any other liquid.
- Clean the casing and insides with a damp cloth.

- Clean the grill plate, fondue pot, raclette pans, fondue forks and fondue fork ring holder in warm water and washing-up liquid.
- Never use aggressive or abrasive cleaning materials, a scouring sponge or steel wool; these damages the device and will scratch and damage the non-stick materials.
- Thoroughly dry the base, grill plate, fondue pot, raclette pans, fondue forks and fondue fork ring holder.
- Re-assemble the device in such a way that the removable grill plate is back in place on the device.
- Do not store any metal accessories inside the fondue pot or on the grill plate and pans as these could damage the non-stick coating.
- Do not clean the grill plate, fondue pot, raclette pans, fondue forks and fondue fork ring holder in the dishwasher. For optimum service life of the non-stick layers and in order to avoid possible discoloration of the materials, we recommend hand washing these parts in warm soapy water.
- If the non-stick coating has been damaged by abrasion with the accessories, do not wash in a dishwasher because this will only exacerbate the problem.
- Store the device in a dry place.

5) SPECIFICATIONS

- Voltage input: 220 - 240 V~, 50/60 Hz
- Power: 1100 W
- Cable length: 1.1 m
- Capacity fondue pot: 1.3 l (maximum fill line)
- Weight: 2.9 kg
- Dimensions: 26 x 40 x 28 cm (H x W x D)

6) STORAGE & TRANSPORTATION

- When storing the device, it should first be cleaned in accordance with this user manual. The device should be stored in its original packaging.
- Always store the device in a dry and well-ventilated room and beyond the reach of children.
- Protect the device against vibrations and shocks during transport.

All contents and specifications mentioned in this manual are subject to change without prior notice.

INSTRUCTIONS FOR PROTECTING THE ENVIRONMENT

(WEEE, the waste electrical and electronic equipment directive)



Your product has been manufactured using high quality materials and components which can be recycled and used again. At the end of its life span, this product cannot be disposed of in normal domestic waste, but must be taken to a special collection point for recycling electrical and electronic equipment. This is indicated in the user manual and in the packaging by the waste container marked with a cross symbol. Used raw materials are suitable for recycling.

By recycling used appliances or raw materials, you are playing an important role in protecting our environment. You can ask your local council about the location of your nearest collection point.

GEBRUIKSHANDLEIDING: MAGNANI – 3-IN-1 FONDUE - RACLETTE & GRILL

MODEL: MI-HA-FRTO1-B

INHOUDSOPGAVE

- 1) Inhoud verpakking
- 2) Veiligheidsinstructies
- 3) Installatie en gebruik van het product
- 4) Reiniging en onderhoud
- 5) Specificaties
- 6) Opslag en transport



1) INHOUD VERPAKKING

- Raclettegrill
- Fonduepan van met antiaanbaklaag (1x)
- Raclettepannetjes met antiaanbaklaag (8x)
- Fonduevorken (6x)
- Vorkhouder (1x)
- Gebruikershandleiding



2) VEILIGHEIDSINSTRUCTIES

Neem altijd de volgende voorzorgsmaatregelen in acht wanneer u gebruik maakt van de 'Magnani – 3-in-1 fondue – raclette & grill', hierna te noemen het 'apparaat'.



WAARSCHUWING!



Sommige onderdelen en accessoires van dit apparaat kunnen heet worden. Raak deze niet aan om te voorkomen dat u zich verbrandt.

Algemene informatie

- Lees de gebruiksaanwijzingen zorgvuldig en bewaar ze op een veilige plek. Als u dit apparaat aan iemand anders geeft, geef deze handleiding daar dan bij.
- Gebruik dit apparaat uitsluitend volgens de instructies in deze gebruikershandleiding.
- Dit apparaat mag worden gebruikt door kinderen van 8 jaar en ouder, personen met beperkte fysieke, zintuigelijke of mentale vermogens of personen met gebrek aan ervaring en kennis, mits ze in de gaten worden gehouden of instructies hebben gekregen over het veilige gebruik van het apparaat en zich bewust zijn van de mogelijke gevaren ervan. Laat kinderen nooit met het apparaat spelen. Reiniging en onderhoud dienen niet te worden uitgevoerd door kinderen, tenzij ze ouder zijn dan 8 en onder toezicht staan van een volwassene.
- Dit apparaat is uitsluitend bedoeld voor huishoudelijke doeleinden of vergelijkbaar gebruik, niet voor professioneel gebruik.



- **WAARSCHUWING!** Laat verpakkingsmateriaal niet onbeheerd rondslingeren. Het kan gevaar opleveren wanneer kinderen ermee spelen. **Kans op verstikking!**

Elektriciteit en warmte

- Controleer vóór gebruik of de netspanning gelijk is aan de spanning vermeld op het typeplaatje van het apparaat.

- Zorg ervoor dat uw handen droog zijn voordat u het apparaat, het stroomsnoer of de stekker aanraakt.
- Steek de stekker in een geaard stopcontact dat op elk moment gemakkelijk bereikbaar is.



• **WAARSCHUWING!** Bedek de stekker of het stroomsnoer nooit met doeken, gordijnen of enig ander materiaal om oververhitting en mogelijk zelfs brand te voorkomen.

- Zorg ervoor dat het apparaat en het stroomsnoer niet in aanraking komen met hittebronnen, zoals een hete kookplaat of open vuur.
- Het apparaat moet zijn warmte kwijt kunnen om brandgevaar te voorkomen. Zorg er daarom voor dat het apparaat wordt omringd door voldoende vrije ruimte (ten minste 20 cm aan alle kanten) en dat u het apparaat niet tegen en/of op brandbare materialen plaatst.



• **WAARSCHUWING!** Om oververhitting en brandgevaar te voorkomen, mag het apparaat niet worden afgedekt.

- Controleer het stroomsnoer regelmatig op beschadigingen.
- Gebruik het apparaat niet als het snoer of de stekker beschadigingen vertoont of als het apparaat op de grond is gevallen of andere sporen van schade vertoont.
- Schakel het apparaat uit en haal de stekker uit het stopcontact als u tijdens het gebruik fouten ontdekt, tekenen van beschadiging aantreft, het apparaat niet gebruikt of het schoonmaakt.
- Zorg ervoor dat niemand op het stroomsnoer kan gaan staan of dat het snoer anderszins beklemd kan raken.
- Laat het stroomsnoer niet over scherpe randen hangen en houd het uit de buurt van hete voorwerpen en open vuur.
- Wanneer u de stekker in het stopcontact steekt, moet u ervoor zorgen dat anderen deze niet per ongeluk los kunnen trekken of over het stroomsnoer kunnen struikelen.
- Haal de stekker uit het stopcontact als het onweert of als u het apparaat gedurende langere tijd niet gebruikt.
- Als u de stekker uit het stopcontact trekt, moet u aan de stekker zelf trekken en niet aan het snoer.
- Gebruik het apparaat niet met een externe tijdschakelaar of een afzonderlijke afstandsbediening.
- Gebruik een snoer van 10 ampère als er een verlengsnoer nodig is. Snoeren met een lager amperage kunnen doorbranden.
- Wanneer u een verlengsnoer gebruikt, rol dit dan volledig uit.



• **WAARSCHUWING!** Om de kans op brand of een elektrische schok te verminderen moet u het apparaat beschermen tegen druppelend of opspattend water en uit de buurt houden van vochtige omgevingen en met water gevulde voorwerpen, zoals vazen. Dergelijke voorwerpen mogen niet op of in de buurt van het apparaat worden geplaatst.

Gebruik

- Gebruik het apparaat niet in de buurt van brandbare materialen.
- **Laat het apparaat nooit onbeheerd achter als het in gebruik is.**
- Dit apparaat is geen speelgoed. Houd kinderen altijd in de gaten om te voorkomen dat ze met het apparaat spelen.
- Laat kinderen dit apparaat niet zonder toezicht schoonmaken of onderhouden.
- Zorg ervoor dat kinderen nooit gaan spelen met huishoudelijke apparatuur; houd altijd toezicht. Kinderen zijn niet in staat de gevaren te beoordelen die gepaard gaan met onjuist gebruik van elektrische apparaten.
- Kinderen in de buurt van het apparaat moeten altijd door een volwassene in de gaten worden gehouden.
- Zorg er altijd voor dat het apparaat goed in elkaar is gezet voordat u het gebruikt.
- Plaats het apparaat op een stabiele en vlakke ondergrond, op een plek waar het niet kan vallen.
- Leun niet op het apparaat.
- Houd minimaal 20 cm vrije ruimte rondom het apparaat. Dit voorkomt schade als gevolg van hitte.
- Gebruik het apparaat nooit zonder de grillplaat en de fonduepan.
- Raak het apparaat tijdens het gebruik niet met de hand of op andere wijze aan.



• Gebruik uw handen of andere lichaamsdelen niet om de temperatuur van het apparaat te voelen terwijl het in gebruik is.

- Verplaats het apparaat nooit als het ingeschakeld of nog warm is. Schakel het apparaat eerst uit en verplaats het pas als het is afgekoeld.
- Gebruik de fonduepan, grillplaat, fonduevorken of raclettepannetjes niet in een conventionele oven.
- Plaats de fonduepan, grillplaat, fonduevorken of raclettepannetjes niet op een gasfornuis of elektrische kookplaat.
- Gebruik de fonduepan, grillplaat, fonduevorken of raclettepannetjes alleen met het apparaat. Gebruik geen andere fonduepan, grillplaat, fonduevorken of raclettepannetjes.
- Gebruik de fonduepan, grillplaat, fonduevorken of raclettepannetjes niet als ze beschadigd of gebarsten zijn.

- Vul de fonduepan van het apparaat niet boven de 'MAX'-aanduiding.
- Gebruik de fonduepan van het apparaat niet als het vloeistofniveau onder de 'MIN'-aanduiding staat.
- Gebruik de verwijderbare fonduepan niet als er te veel of te weinig frituurvet, olie, bouillon of kaas in zit.



• **WAARSCHUWING! Ontploffingsgevaar.** Gebruik vers en schoon vet of verse en schone olie die geschikt is om te fonduen. Als het vet of de olie oud, gebruikt of ongeschikt is, kan het bij lage temperaturen vlam vatten. Als het vet of de olie vlam vat, neem de fonduepan dan nooit van het apparaat. Vanwege ontploffingsgevaar mag u het vet of de olie in de fonduepan nooit blussen met water. Blus de brand met een deksel die op de pan past of een blusdeken. Wacht tot de fonduepan volledig is gekoeld voordat u de deksel of deken van de fonduepan verwijdert, ook als de vlammen niet meer zichtbaar zijn. Als de deksel of deken van de fonduepan wordt verwijderd terwijl de pan nog heet is, kan het vet of de olie in de fonduepan opnieuw vlam vatten.



• **WAARSCHUWING! Levensgevaar door brand.** Laat kinderen niet alleen met de fonduepan. Door onjuist gebruik kan de pan omvallen en kan het hete vet of de hete olie, bouillon of kaas ernstige brandwonden veroorzaken.

Bij verbranding moet u onmiddellijk 10-20 minuten koelen met lauwwarm kraanwater. Trek kleding en sieraden zo snel mogelijk uit. Laat kleding die aan de wond kleeft zitten. Breng geen producten (zoals crème) aan op de brandwond. Dek de wond tijdelijk af met huishoudfolie. Raadpleeg na het koelen een arts:

- als u een blaas hebt in uw gezicht of op uw handen, voeten of geslachtsdelen;
- als de brandwond groter is dan de helft van de hand van de persoon die zich heeft verbrand;
- als de brandwond er geelwit, bruin of zwart uitziet en geen pijn doet.

Raadpleeg in geval van brandwonden bij kinderen altijd een arts na het koelen.

- Het is aan te raden een hittebestendige laag tussen de tafel en het apparaat te leggen, zodat er geen sporen ten gevolge van de warmte op uw tafel achterblijven.
- Verplaats het apparaat niet tijdens het koken.
- Verplaats het apparaat niet als de fonduepan op het apparaat is geplaatst. De fonduepan kan van de grillplaat glijden.



• Verplaats het apparaat nooit als het ingeschakeld of nog warm is. Schakel het apparaat eerst uit en verplaats het pas als het is afgekoeld.

- De oppervlakken van het apparaat worden heet tijdens gebruik. **RAAK ZE NIET AAN!**
- Gebruik alleen hittebestendig keukengerei met een handvat dat goed bestand is tegen hitte.
- Als u plastic keukengerei gebruikt, laat dit dan niet in of op het apparaat liggen als het heet is!
- Draag ovenhandschoenen wanneer u het apparaat aanraakt tijdens en onmiddellijk na gebruik. Gebruik ook hittebestendig keukengerei wanneer u etenswaren controleert.
- Gebruik geen scherpe voorwerpen in de fonduepan, op de grillplaat of in de raclettepannetjes. Deze kunnen de anti-aanbaklaag beschadigen.



• **WAARSCHUWING!** Eet niet rechtstreeks van de fonduevorken om snij- en steekwonden te voorkomen.

De vorken zijn zeer scherp en puntig.

- **WAARSCHUWING!** Eet niet rechtstreeks van de fonduevorken en raak het metaal niet aan als de fonduevorken net uit het hete vet of de hete olie, bouillon of kaas komen om brandwonden te voorkomen.
- Maak het apparaat na gebruik grondig schoon (zie 'Reiniging en onderhoud').
- Leg de fonduepan, grillplaat of raclettepannetjes niet in koud water of de diepvries als ze heet zijn.
- Plaats tijdens gebruik en opslag niets anders dan de fonduepan of de grillplaat op het gemonteerde apparaat.
- Vermijd locaties die blootstaan aan trillingen, vrieskou of vochtigheid.
- Bescherm het apparaat tegen direct zonlicht, warmtebronnen, overmatige vochtigheid en corrosieve omgevingen.
- Zorg ervoor dat het apparaat niet wordt blootgesteld aan enige mechanische belasting.
- Het apparaat kan beschadigd raken als het verkeerd wordt gebruikt.
- Ga voorzichtig met het apparaat om. Het apparaat kan beschadigd raken door een stoot of val, zelfs van een geringe hoogte.
- Open de behuizing niet. Als u dit wel doet, loopt u kans op een elektrische schok.
- Probeer het apparaat niet te demonteren, te repareren of anderszins aan te passen.
- Het apparaat moet worden gerepareerd als er sprake is van enige vorm van schade, wanneer bijvoorbeeld het stroomsnoer of de stekker is beschadigd, er vloeistof op het apparaat is gemorst, voorwerpen op het apparaat zijn gevallen, het apparaat is blootgesteld aan regen of vocht, het apparaat is gevallen of het apparaat niet normaal functioneert.
- Gebruik geen schurende schoonmaakmiddelen om het apparaat te reinigen.
- Gebruik geen vreemde voorwerpen om het apparaat schoon te maken.
- Dit apparaat is uitsluitend bedoeld voor huishoudelijke doeleinden, niet voor professioneel gebruik.



Belangrijke informatie – volg deze instructies op

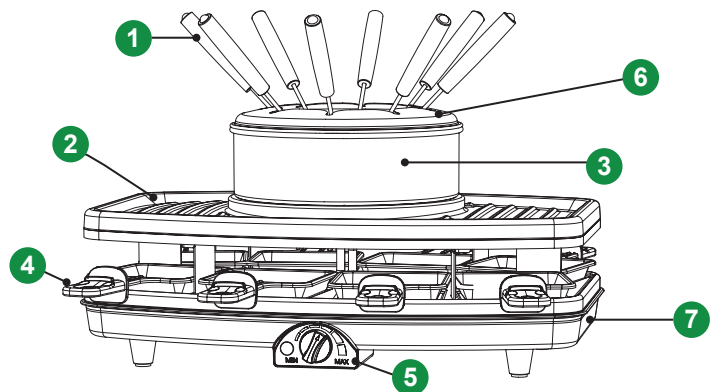
- Dit apparaat mag worden gebruikt door kinderen van 8 jaar en ouder, personen met beperkte fysieke, zintuiglijke of mentale vermogens of personen met gebrek aan ervaring en kennis, mits ze in de gaten worden gehouden of instructies hebben gekregen over het veilige gebruik van het apparaat en zich bewust zijn van de mogelijke gevaren ervan. Laat kinderen nooit met het apparaat spelen. Reiniging en onderhoud dienen niet te worden uitgevoerd door kinderen, tenzij ze ouder zijn dan 8 en onder toezicht staan van een volwassene.
- Gebruik het apparaat uitsluitend binnenshuis, in droge gebieden en niet in de buurt van water, andere vloeistoffen of vocht.
- Gebruik het apparaat niet als het apparaat, het stroomsnoer of de stekker in water of een andere vloeistof is gevallen.
- Dompel het apparaat, het snoer of de stekker nooit onder in water of een andere vloeistof.
- Pak het apparaat niet op als het in het water of een andere vloeistof is gevallen. Trek onmiddellijk de stekker uit het stopcontact. Gebruik het apparaat niet meer.
- Onderdelen van het apparaat kunnen heet worden. Raak deze niet aan om te voorkomen dat u zich verbrandt.

3) INSTALLATIE EN GEBRUIK VAN HET APPARAAT

Open de verpakking voorzichtig en haal het apparaat eruit. Controleer of het apparaat volledig en onbeschadigd is. Mochten er onderdelen beschadigd zijn of ontbreken, neem dan contact op met de verkoper en gebruik het product niet. Bewaar de verpakking of recycle deze zoals voorgeschreven door lokale regelgeving.

Onderdelen en functies van het apparaat

- 1 Fonduevorken (6 stuks)
- 2 Grillplaat (verwijderbaar)
- 3 Fonduepan
- 4 Raclettepannetjes (8 stuks)
- 5 Thermostaatknop
- 6 Vorkhouder
- 7 Verwarmingsvoet

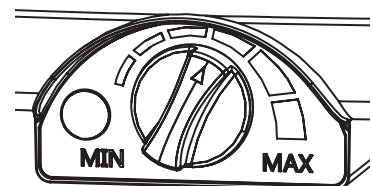


Eerste gebruik

- Haal het apparaat en de accessoires uit de doos. Verwijder eventuele stickers, beschermfolie of plastic van het apparaat.
- Maak de voet schoon met een vochtige doek en spoel alle verwijderbare onderdelen af met water en zeep voordat u het apparaat voor het eerst gebruikt.
- Droog de voet en alle verwijderbare onderdelen goed af.
- Gebruik nooit agressieve of schurende schoonmaakmiddelen, een schuurspons of staalwol. Dit kan het apparaat, de fonduepan, de grillplaat en de raclettepannetjes beschadigen.
- Plaats het apparaat op een stabiele en vlakke ondergrond, op een plek waar het niet kan omvallen.
- Bevestig de grillplaat 2 op de montagebeugels van de verwarmingsvoet 7. Zorg dat de grillplaat horizontaal staat en goed vast zit. Plaats de fonduepan 3 zo dat het verwarmingselement bedekt is.
- Als u het apparaat met de fonduepan 3 wilt gebruiken, plaatst u de fonduepan in het midden (het ronde gedeelte) van de grillplaat 2 en plaatst u de vorkhouder 6 op de fonduepan.
- Zorg dat de thermostaatknop 5 op MIN staat.
- Sluit het apparaat aan op de netvoeding.

AAN/UIT-knop

- Steek de stekker in het stopcontact en zorg dat de thermostaatknop 5 op MIN staat.
- Als u de thermostaatknop met de klok mee draait, gaat het ledlampje (links naast de thermostaatknop) rood branden.
- Om het apparaat uit te schakelen, zorgt u dat de thermostaatknop 5 op MIN staat. Het ledlampje gaat dan uit.
- Trek vervolgens de stekker uit het stopcontact.



De grillplaat gebruiken

- Zorg vóór elk gebruik dat de verwarmingsvoet 7, de fonduepan 3, de vorkhouder 6 en de grillplaat 2 schoon en droog zijn en dat de grillplaat horizontaal op het apparaat is geplaatst en goed vast zit.
- Plaats het apparaat op een stabiele en vlakke ondergrond, op een plek waar het niet kan omvallen.
- Zorg dat de thermostaatknop 5 op MIN staat.
- Laat de grillplaat ca. 5 minuten opwarmen door de thermostaatknop 5 tegen de klok in te draaien en op MAX te zetten. Het ledlampje gaat rood branden. Zorg dat de fonduepan 3 zo op de grillplaat is geplaatst dat het verwarmingselement bedekt is.
- **Verwarm de raclettepannetjes niet voor.**
- We raden aan de grillplaat met een kwast in te vetten met een beetje olie.
- Als u de raclette voor de eerste keer gebruikt, kan er wat geur of rook vrijkomen. Dit is normaal. De geur en rook verdwijnen na een paar minuten.
- Als het apparaat is opgewarmd, draait u de thermostaatknop naar de gewenste temperatuur.
- Leg ingrediënten in de raclettepannetjes en/of op de grillplaat (zie "Voedsel bereiden").
- Plaats de raclettepannetjes op de verwarmingsvoet onder de grillplaat. Doe de raclettepannetjes niet te vol.
- Het apparaat is uitgerust met een thermostaat. Tijdens het gebruik van het apparaat gaat het led-indicatielampje UIT als de ingestelde temperatuur is bereikt en weer AAN als het apparaat weer aan het opwarmen is.

De fonduepan gebruiken

- Zorg vóór elk gebruik dat de verwarmingsvoet 7, de fonduepan 3, de vorkhouder 6 en de grillplaat 2 schoon en droog zijn en dat de grillplaat horizontaal op het apparaat is geplaatst en goed vast zit.
- Doe de verwijderbare fonduepan niet te vol. Vul de verwijderbare fonduepan tot boven de MIN-aanduiding en onder de MAX-aanduiding met frituurvet, frituurolie, bouillon of kaas.
- Plaats het apparaat op een stabiele en vlakke ondergrond, op een plek waar het niet kan omvallen.
- Plaats de fonduepan in het midden (het ronde gedeelte) van de grillplaat 2 en plaats de vorkhouder 6 op de fonduepan.
- Zorg dat de thermostaatknop 5 op MIN staat.
- Laat de grillplaat en de fonduepan ca. 5 minuten opwarmen door de thermostaatknop 5 tegen de klok in te draaien en op MAX te zetten. Het ledlampje gaat rood branden.
- Als het apparaat is opgewarmd, kunt u ingrediënten in de fonduepan doen (zie "Voedsel bereiden").
- Gebruik alleen de meegeleverde fonduevorken.
- Als het apparaat is opgewarmd, draait u de thermostaatknop naar de gewenste temperatuur.
- Het apparaat is uitgerust met een thermostaat. Tijdens het gebruik van het apparaat gaat het led-indicatielampje UIT als de ingestelde temperatuur is bereikt en weer AAN als het apparaat weer aan het opwarmen is.

Voedsel bereiden

- Snijd rauw vlees in dunne plakjes om het vlees gelijkmatiger en sneller gaar te laten worden. **Bereid rauw vlees altijd op de grillplaat of in de fonduepan.**
- Draai vlees, vis, zeevruchten en groenten tijdens het bereiden regelmatig om. Zorg dat vlees door en door gaar is.
- Marineer vlees en groenten voordat u ze op de grillplaat grilt. Let goed op tijdens het grillen, omdat gemarineerd voedsel sneller bruin wordt.



• **WAARSCHUWING!** Bak rauw vlees niet in de raclettepannetjes. Vermijd contaminatie met andere soorten voedsel.



• **WAARSCHUWING! Spatgevaar.** Dep vlees, groenten en ander voedsel droog met een tissue alvorens ze op de grillplaat te leggen of in de fonduepan te plaatsen.



• **WAARSCHUWING! Ontploffingsgevaar.** Gebruik vers en schoon vet of verse en schone olie die geschikt is om te fonduen. **Als het vet of de olie oud, gebruikt of ongeschikt is, kan het bij lage temperaturen vlam vatten. Als het vet of de olie vlam vat, neem de fonduepan dan NOOIT van het apparaat. Vanwege ontploffingsgevaar mag u het vet of de olie in de fonduepan NOOIT blussen met water. Blus de brand met een deksel die op de pan past of een blusdeken. Wacht tot de fonduepan volledig is gekoeld voordat u de deksel of deken van de fonduepan verwijdert, ook als de vlammen niet meer zichtbaar zijn. Als de deksel of deken van de fonduepan wordt verwijderd terwijl de pan nog heet is, kan het vet of de olie in de fonduepan opnieuw vlam vatten.**



• **WAARSCHUWING! Levensgevaar door brand** Laat kinderen niet alleen met de fonduepan. Door onjuist gebruik kan de pan omvallen en kan het hete vet of de hete olie, bouillon of kaas ernstige brandwonden veroorzaken.



• **LET OP!** Voorkom brandwonden. Raak het metaal van de fonduevorken niet aan tijdens het fonduen. Houd de fonduevorken vast bij de handgreep.



• **LET OP!** Voorkom brandwonden. Raak de grillplaat, fonduepan en vorkhouder niet aan. Deze zijn zeer heet. Maak bij het optillen of uitnemen gebruik van een onderzetter en keukenhandschoenen voor.

• Gebruik geen metalen voorwerpen om vuil of vet van de grillplaat, raclettepannetjes of fonduepan te verwijderen. Zo voorkomt u dat de anti-aanbaklaag beschadigd raakt. Gebruik een vochtige doek of tissue om vuil of vet van de grillplaat, raclettepannetjes of fonduepan te verwijderen.

4) REINIGING EN ONDERHOUD

- Reinig het apparaat na elk gebruik.
- Zet de thermostaatknop van het apparaat op MIN, haal de stekker uit het stopcontact en laat het apparaat volledig afkoelen (ca. 30 minuten).
- Giet geen vloeibaar vet of vloeibare olie in de gootsteen omvat gestold vet de afvoer kan verstopen. Lever dit in bij uw plaatselijke inzamelpunt om te worden gerecycled.
- Dompel het apparaat nooit onder in water of een andere vloeistof.
- Reinig de buiten- en binnenkant van het apparaat met een vochtige doek.
- Maak de grillplaat, fonduepan, raclettepannetjes, fonduevorken en vorkhouder schoon met warm water en afwasmiddel.
- Gebruik nooit agressieve of schurende schoonmaakmiddelen, een schuurspons of staalwol. Dit kan het apparaat beschadigen en de materialen met antiaanbaklaag krassen en beschadigen.
- Droog de voet, de grillplaat, de fonduepan, de raclettepannetjes, de fonduevorken en de vorkhouder goed af.
- Zet het apparaat weer zo in elkaar dat de verwijderbare grillplaat weer op het apparaat is geplaatst.
- Bewaar geen metalen accessoires in de fonduepan en de raclettepannetjes of op de grillplaat. Hierdoor kan de antiaanbaklaag beschadigen.
- Maak de grillplaat, de fonduepan, de raclettepannetjes, de fonduevorken en de vorkhouder niet schoon in de vaatwasser. Om ervoor te zorgen dat de anti-aanbaklaag zo lang mogelijk meegaat en om mogelijke verkleuring van materialen te voorkomen, raden wij u aan deze onderdelen handmatig in een warm sopje af te wassen.
- Als de antiaanbaklaag is beschadigd door contact met de accessoires, raden wij u aan de betreffende onderdelen niet af te wassen in een vaatwasser omdat dit het probleem alleen maar zal verergeren.
- Berg het apparaat op een droge plaats op.

5) SPECIFICATIES

- Invoerspanning: 220-240 V~, 50/60 Hz
- Voeding: 1100 W
- Kabellengte: 1,1 m
- Inhoud fonduepan: 1,3 l (tot vullijn)
- Gewicht: 2,9 kg
- Afmetingen: 26 x 40 x 28 cm (H x B x D)

6) OPSLAG EN TRANSPORT

- Voordat u het apparaat opbergt, moet u het eerst reinigen zoals beschreven in deze gebruikershandleiding. Bewaar het apparaat in de oorspronkelijke verpakking.
- Berg het apparaat altijd op in een droge, goed geventileerde ruimte, buiten bereik van kinderen.
- Bescherm het apparaat tijdens transport tegen trillingen en schokken.

Alle in deze handleiding vermelde informatie en specificaties kunnen zonder voorafgaande kennisgeving worden gewijzigd.

INSTRUCTIES VOOR DE BESCHERMING VAN HET MILIEU

(AEEA, de richtlijn voor afgedankte elektrische en elektronische apparatuur)



Dit product is vervaardigd van kwalitatief hoogwaardige materialen en onderdelen die gerecycled en opnieuw gebruikt kunnen worden. Na afloop van zijn levensduur mag dit product niet worden meegegeven met het huishoudelijk afval, maar moet het naar een speciaal inzamelpunt voor het recyclen van elektrische en elektronische apparatuur worden gebracht. Dit wordt in de handleiding en op de verpakking weergegeven door de afvalcontainer met een kruis erdoor. De gebruikte grondstoffen kunnen worden gerecycled.

Door het recyclen van gebruikte apparatuur of grondstoffen, speelt u een belangrijke rol bij de bescherming van het milieu. U kunt bij de gemeente informeren waar het dichtstbijzijnde inzamelpunt is.

MANUEL D'UTILISATION :

MAGNANI – SET 3 EN 1 FONDUE – RACLETTE & GRILL

MODEL: MI-HA-FRTO1-B

SOMMAIRE

- 1) Contenu du paquet
- 2) Consignes de sécurité
- 3) Installation et utilisation du produit
- 4) Nettoyage et maintenance
- 5) Spécifications
- 6) Entreposage et transport



1) CONTENU DU PAQUET

- Raclette et grill
- Caquelon à fondue antiadhésif (1x)
- Caquelons à raclette antiadhésifs (8x)
- Fourchettes à fondue (6x)
- Support pour fourchettes à fondue (1x)
- Manuel d'utilisation



2) INSTRUCTIONS DE SÉCURITÉ

Les précautions suivantes doivent toujours être observées avant l'utilisation du « Magnani – Fondue, raclette et grill 3 en 1 », appelé par la suite « l'appareil ».



AVERTISSEMENT !



Certaines parties de l'appareil et certains accessoires peuvent devenir très chauds. Ne touchez pas ces parties afin d'éviter de vous brûler.

Informations générales

- Lire attentivement le manuel d'utilisation et bien le conserver. Si cet appareil est remis à une autre personne, lui remettre aussi ce manuel d'utilisation.
- Utiliser cet appareil uniquement comme décrit dans ce manuel d'utilisation.
- Cet appareil peut être utilisé par les enfants de 8 ans et plus, par les personnes dont les capacités physiques, sensorielles ou mentales sont limitées, par ceux qui manquent d'expérience et de connaissances, à condition que ces enfants ou personnes soient surveillés ou qu'ils aient reçu les instructions nécessaires pour utiliser l'appareil en toute sécurité et qu'ils soient conscients des risques possibles. Les enfants ne doivent pas jouer avec l'appareil. Le nettoyage et la maintenance ne doivent pas être effectués par des enfants, à moins qu'ils aient plus de 8 ans et qu'ils soient sous la surveillance d'un adulte.
- Maintenez l'appareil et le câble d'alimentation hors de portée des enfants de moins de 8 ans.
- Cet appareil est destiné à un usage domestique ou similaire, et pas à un usage professionnel.



- **AVERTISSEMENT !** Ne pas laisser traîner le matériel d'emballage. Celui-ci pourrait être dangereux pour les jeux d'enfants. **Risque de suffocation !**

Électricité et chaleur

- Avant l'utilisation, vérifier si la tension secteur est identique à la tension secteur indiquée sur l'appareil.
- Assurez-vous d'avoir les mains sèches avant de toucher l'appareil, le câble d'alimentation ou la fiche.
- Brancher la fiche sur une prise de courant mise à la terre facilement accessible à tout moment.



• **AVERTISSEMENT !** Ne couvrez jamais la fiche ou le câble avec des tissus, rideaux ou autres matières, pour éviter la surchauffe et les éventuels risques d'incendie.

- Assurez-vous que l'appareil et le câble d'alimentation n'entrent pas en contact avec des sources de chaleur telles qu'une plaque de cuisson brûlante ou une flamme nue.
- L'appareil doit pouvoir laisser échapper sa chaleur pour éviter les risques d'incendie. Assurez-vous donc qu'il y ait toujours assez d'espace libre autour de l'appareil (au moins 20 cm de tous les côtés) et ne placez pas l'appareil contre, sur ou à proximité de matériaux combustibles.



• **AVERTISSEMENT !** L'appareil ne doit pas être recouvert afin d'éviter la surchauffe et les risques d'incendie.

- Contrôlez régulièrement si le câble d'alimentation n'est pas endommagé.
- N'utilisez jamais l'appareil si le câble d'alimentation est endommagé, si l'appareil est tombé par terre ou s'il présente d'autres dommages.
- Éteignez l'appareil et retirez la fiche de la prise de courant si vous constatez des défauts ou des dommages pendant l'utilisation, si l'appareil n'est pas utilisé ou lorsqu'il est nettoyé.
- Assurez-vous que le câble d'alimentation ne peut pas être piétiné ou coincé.
- Ne laissez pas pendre le câble d'alimentation sur des bords tranchants, et maintenez-le éloigné d'objets chauds et de flammes nues.
- Lorsque la fiche est branchée, faites attention à ce que personne ne puisse tirer accidentellement ou trébucher sur le câble.
- Retirez la fiche de la prise de courant lors d'orages ou lorsque l'appareil reste inutilisé pendant de longues périodes.
- Pour retirer la fiche de la prise de courant, tirez sur la fiche et pas sur le câble.
- Ne faites pas fonctionner l'appareil en utilisant une minuterie externe ou un système de télécommande séparé.
- Si une rallonge est nécessaire, utilisez un câble 10 ampères. Les câbles à ampérage inférieur peuvent griller.
- Lorsqu'une rallonge est utilisée, celle-ci doit être entièrement déroulée.



• **AVERTISSEMENT !** Pour réduire le risque d'incendie ou de choc électrique, protéger l'appareil contre les ruissellements ou éclaboussures d'eau et les endroits humides et le tenir à l'écart d'objets remplis de liquides, tels que des vases. De tels objets ne doivent pas être placés sur l'appareil ou à proximité.

Utilisation

- Ne pas utiliser l'appareil à proximité de matières inflammables.
- **Ne jamais laisser sans surveillance l'appareil en cours d'utilisation.**
- Cet appareil n'est pas un jouet et doit être surveillé pour éviter que les enfants l'utilisent comme un jouet.
- Ne permettez pas à des enfants sans surveillance de nettoyer ou d'entretenir cet appareil.
- Ne permettez jamais à des enfants d'utiliser des appareils domestiques en guise de jouet sans surveillance. Les enfants ne peuvent pas estimer les risques liés à une utilisation incorrecte d'appareils électriques.
- Les enfants se trouvant à proximité de l'appareil doivent toujours être surveillés par un adulte.
- Toujours s'assurer que l'appareil soit bien assemblé avant l'utilisation.
- Posez l'appareil sur une surface stable et plane, à un endroit où il ne peut pas se renverser.
- Ne vous appuyez pas sur l'appareil.
- S'assurer qu'il y ait au moins 20 cm d'espace libre autour de l'appareil. Vous éviterez ainsi les dégâts dus à la chaleur.
- N'utilisez pas l'appareil sans la grille ou la casserole à fondue en place.
- Pendant le fonctionnement, ne touchez pas l'appareil avec la main ou de toute autre manière.



• N'utilisez pas les mains ou toute autre partie du corps pour sentir la température de l'appareil lors du fonctionnement.

- Ne déplacez jamais l'appareil tant qu'il est en marche ou encore chaud. Éteignez d'abord l'appareil et déplacez-le uniquement une fois qu'il a refroidi.
- N'utilisez pas le caquelon à fondue, la grille, les fourchettes à fondue ou les caquelons à raclette dans un four traditionnel.
- N'utilisez pas le caquelon à fondue, la grille, les fourchettes à fondue ou les caquelons à raclette dans un four traditionnel.
- Utilisez uniquement le caquelon à fondue, la grille, les fourchettes à fondue ou les caquelons à raclette avec

l'appareil. N'utilisez pas d'autres caquelons à fondue, grilles, fourchettes à fondue ou caquelons à raclette.

- N'utilisez pas de caquelon à fondue, grille, fourchettes à fondue ou caquelons à raclette fissurés ou endommagés.
- Ne remplissez pas le caquelon à fondue au-dessus du niveau « MAX ».
- N'utilisez pas le caquelon à fondue en-dessous du niveau « MIN ».
- Respectez les indicateurs de remplissage du caquelon à fondue amovible pour la graisse de cuisson, l'huile de cuisson, le fromage ou le bouillon.



• **AVERTISSEMENT ! Risque d'explosion.** Utilisez de l'huile ou de la graisse fraîche et propre adaptée à la fondue. La graisse ou l'huile trop ancienne, brûlée ou inadaptée peut s'enflammer à basse température. Si la graisse ou l'huile commence à brûler, ne retirez pas le caquelon à fondue. Ne versez jamais d'eau sur la graisse ou l'huile se trouvant dans le caquelon à fondue, car vous risquez une explosion. Pour éteindre un feu éventuel, utilisez un couvercle adapté ou une couverture antifeu. Même si les flammes ne sont plus visibles, ne retirez pas le couvercle ou la couverture du caquelon à fondue avant qu'il n'ait totalement refroidi. Si le couvercle ou la couverture sont enlevés alors que le caquelon est encore chaud, l'huile/la graisse dans le caquelon pourrait recommencer à brûler.



• **AVERTISSEMENT ! Danger de mort suite à des brûlures.** Ne laissez pas les enfants sans surveillance à proximité du caquelon à fondue. Toute utilisation inadaptée pourrait entraîner une chute et provoquer de graves brûlures dues à la graisse, l'huile, le bouillon ou le fromage.

En cas de brûlure, refroidissez la zone pendant 10 à 20 minutes avec de l'eau tiède. Retirez les vêtements et les bijoux aussi vite que possible. N'arrachez pas les vêtements collés à la blessure. N'appliquez pas de produit (crème) sur la brûlure. Couvrez temporairement la brûlure avec un film plastique. Consultez un médecin après que la brûlure a refroidi :

- en présence d'une ampoule sur le visage, les mains, les pieds ou les parties génitales
- si la brûlure couvre plus de la moitié de la main de la personne brûlée
- si la surface de la brûlure est jaunâtre ou blanchâtre, brunâtre ou noirâtre, et indolore

En cas de brûlure sur des enfants, consultez toujours un médecin après que la brûlure a refroidi.

- Il est conseillé de mettre un revêtement thermorésistant entre la table et l'appareil, pour éviter que la chaleur y laisse des traces.
- Ne pas déplacer l'appareil pendant son fonctionnement.
- Ne déplacez pas l'appareil lorsque le caquelon à fondue s'y trouve. Le caquelon à fondue pourrait glisser et tomber de la plaque.



• Ne déplacez jamais l'appareil tant qu'il est en marche ou encore chaud. Éteignez d'abord l'appareil et déplacez-le uniquement une fois qu'il a refroidi.

- Les surfaces de l'appareil deviennent chaudes pendant l'utilisation. **NE PAS TOUCHER !**
- Utilisez uniquement des outils dont la poignée offre une bonne isolation thermique.
- Si vous utilisez des ustensiles en plastique, ne les laissez pas dans l'appareil lorsqu'il est chaud !
- Portez des gants de cuisine pour manipuler l'appareil pendant et immédiatement après l'utilisation. Utilisez des ustensiles pour vérifier la cuisson.
- N'utilisez pas d'objets pointus dans les caquelons ou sur le grill. Ces objets peuvent abîmer le revêtement antiadhésif.



• **AVERTISSEMENT !** Ne mangez pas avec les fourchettes à fondue pour éviter les coupures et blessures. Les fourchettes sont très pointues.

- **AVERTISSEMENT !** Pour éviter les brûlures, ne mangez pas avec les fourchettes à fondue. Ne touchez pas le métal lorsque la fourchette a été en contact avec de l'huile, de la graisse, du bouillon ou du fromage brûlant(e).
- Après l'utilisation, nettoyez méticuleusement l'appareil (voir « Nettoyage et maintenance »).
- Ne placez pas le caquelon, la grille, les fourchettes à fondue ou les caquelons à raclette dans de l'eau froide ni dans le congélateur lorsqu'ils sont encore chauds.
- En cours d'utilisation et pendant le stockage, ne placez jamais rien d'autre que le caquelon ou la grille sur l'appareil assemblé.
- Éviter les endroits soumis à des vibrations, le froid ou l'humidité.
- N'exposez pas l'appareil à la lumière directe du soleil, des sources de chaleur, une humidité excessive ou un milieu corrosif.
- N'exposez pas l'appareil à des contraintes mécaniques.
- Une utilisation inappropriée de l'appareil pourrait l'endommager.
- Manipulez l'appareil avec précaution. Tout choc ou chute, même de faible hauteur, peut endommager l'appareil.
- N'ouvrez pas le boîtier car cela pourrait provoquer un choc électrique.
- N'essayez pas de démonter ou de réparer l'appareil, ou de le modifier de quelque manière que ce soit.
- L'appareil doit être révisé s'il a été endommagé de quelque manière que ce soit, par exemple si le cordon

d'alimentation/la fiche est endommagé ; si un liquide a été renversé ; si des objets sont tombés dans l'appareil ; s'il a été exposé à la pluie ou à l'humidité; s'il est tombé ou s'il ne fonctionne pas correctement.

- N'utilisez pas de produits abrasifs pour nettoyer l'appareil.
- N'utilisez pas d'objets étrangers pour nettoyer l'appareil.
- Cet appareil est destiné à un usage domestique seulement et pas à un usage professionnel.



Informations importantes, suivre ces instructions.

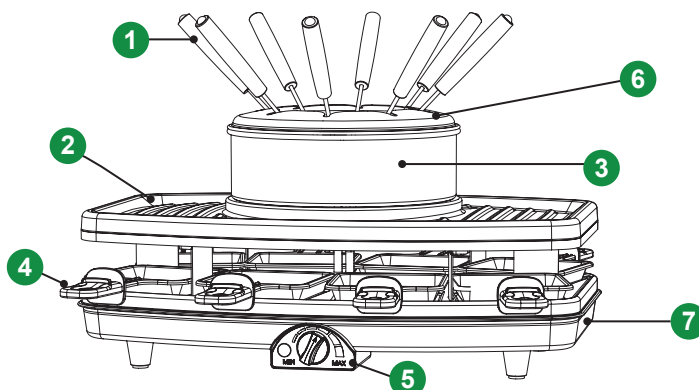
- Cet appareil peut être utilisé par les enfants de 8 ans et plus, par les personnes dont les capacités physiques, sensorielles ou mentales sont limitées, par ceux qui manquent d'expérience et de connaissances, à condition qu'ils soient sous la surveillance d'un adulte ou qu'ils aient reçu les instructions nécessaires pour utiliser l'appareil en toute sécurité et qu'ils soient conscients des risques possibles. Les enfants ne doivent pas jouer avec l'appareil. Le nettoyage et la maintenance ne doivent pas être effectués par des enfants, à moins qu'ils aient plus de 8 ans et qu'ils soient sous la surveillance d'un adulte.
- Utilisez l'appareil uniquement à l'intérieur, dans des endroits secs et pas à proximité d'eau, autres liquides ou humidité.
- N'utilisez pas l'appareil si l'appareil, le câble d'alimentation ou la fiche sont tombés à l'eau ou dans un autre liquide.
- N'immergez jamais l'appareil, le câble d'alimentation et la fiche dans de l'eau ou un autre liquide.
- Ne ramassez pas l'appareil s'il est tombé dans l'eau ou dans un autre liquide. Retirez immédiatement la fiche de la prise de courant. Ne réutilisez pas l'appareil.
- Certaines parties de l'appareil peuvent devenir très chaudes. Ne touchez pas ces parties afin d'éviter de vous brûler.

3) INSTALLATION ET UTILISATION DE L'APPAREIL

Ouvrir l'emballage avec précaution avant d'en sortir l'appareil. S'assurer que l'appareil soit complet et en bon état. S'il y a des composants qui manquent ou qui sont endommagés, contacter le fournisseur et ne pas utiliser le produit. Conserver l'emballage ou le recycler conformément aux réglementations locales.

Parties et fonctions de l'appareil

- 1 Fourchettes à fondue (6 pc)
- 2 Grille (amovible)
- 3 Caquelon à fondue
- 4 Caquelons à raclette (8 pc)
- 5 Thermostat
- 6 Support pour fourchettes à fondue
- 7 Base de chauffe

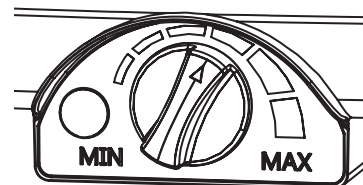


Première utilisation

- Sortez l'appareil et les accessoires de la boîte. Retirez tout autocollant, film de protection ou plastique de l'appareil.
- Avant la première utilisation, nettoyez la base avec un chiffon humide et rincez toutes les pièces amovibles avec de l'eau savonneuse.
- Séchez soigneusement la base et toutes les pièces amovibles.
- N'utilisez jamais de produits de nettoyage agressifs ou abrasifs, une éponge à récurer ou de la paille de fer, car cela endommage le caquelon à fondue, la grille et les caquelons à raclette.
- Posez l'appareil sur une surface stable et plane, à un endroit où il ne peut pas tomber.
- Installez la grille 2 sur les supports de la plaque de chauffe 7. Veillez à ce que la grille soit placée horizontalement et en sécurité. Installez ensuite le caquelon à fondue 3 de telle sorte à couvrir l'espace de chauffe.
- Lorsque vous voulez utiliser l'appareil et le caquelon à fondue 3, placez le caquelon à fondue au centre (cercle) de la grille 2 et installez ensuite le support pour fourchettes à fondue 6 sur le caquelon.
- Veillez à ce que le thermostat 5 soit en position MIN.
- Connecter l'appareil au secteur.

Interrupteur Marche/Arrêt

- Lorsque l'appareil est branché, veillez à ce que le thermostat 5 soit en position MIN.



- Si vous tournez le thermostat dans le sens des aiguilles d'une montre, le témoin (à gauche du thermostat) s'allume (rouge).
- Pour éteindre l'appareil, veillez à ce que le thermostat **5** soit en position MIN. Le témoin s'éteint alors.
- Retirez toujours la fiche d'alimentation de la prise électrique.

Utiliser la grille

- Avant toute utilisation, veillez à ce que la base de chauffe **7**, le caquelon à fondue **3**, le support pour fourchettes à fondue **6** et la grille **2** soient propres et sèches, et à ce que la grille soit à l'horizontale et en sécurité.
- Posez l'appareil sur une surface stable et plane, à un endroit où il ne peut pas tomber.
- Veillez à ce que le thermostat **5** soit en position MIN.
- Préchauffez la plaque pendant +/- 5 minutes en tournant le thermostat **5** dans le sens des aiguilles d'une montre en position MAX. Le témoin rouge s'allume alors. Installez ensuite le caquelon à fondue **3** sur la grille de telle sorte à couvrir l'espace de chauffe.
- **Ne préchauffez pas les caquelons à raclette.**
- Il est recommandé de passer un pinceau avec de l'huile sur la plaque.
- Lorsque vous utilisez la raclette pour la première fois, une légère odeur de fumée pourrait s'en dégager. C'est normal. L'odeur et la fumée disparaîtront en quelques minutes.
- Lorsque l'appareil a préchauffé, tournez le thermostat à la température souhaitée.
- Ajoutez les ingrédients dans les caquelons à raclettes et/ou sur la grille (v. « Cuire les aliments »).
- Placez les caquelons à raclette sur la base de chauffe sous la grille. Ne surchargez pas les caquelons.
- L'appareil est équipé d'un thermostat. Pendant la cuisson, le témoin s'éteindra lorsque la température est atteinte. Il se rallumera lorsque l'appareil chauffe à nouveau.

Cuire avec le caquelon à fondue

- Avant toute utilisation, veillez à ce que la base de chauffe **7**, le caquelon à fondue **3**, le support pour fourchettes à fondue **6** et la grille **2** soient propres et secs, et à ce que la grille soit à l'horizontale et en sécurité.
- **Ne remplissez pas le caquelon à fondue amovible à l'excès.** Remplissez le caquelon à fondue amovible au-dessus de l'indication MIN et sous l'indication MAX avec de la graisse, de l'huile de friture, du bouillon ou du fromage.
- Posez l'appareil sur une surface stable et plane, à un endroit où il ne peut pas tomber.
- Placez le caquelon à fondue au centre (cercle) de la grille **2** et installez ensuite le support pour fourchettes à fondue **6** sur le caquelon.
- Veillez à ce que le thermostat **5** soit en position MIN.
- Préchauffez la plaque et le caquelon à fondue pendant +/- 5 minutes en tournant le thermostat **5** dans le sens des aiguilles d'une montre en position MAX. Le témoin rouge s'allume alors.
- Lorsque l'appareil a préchauffé, ajoutez les ingrédients dans le caquelon à fondue (v. Cuire des aliments).
- Utilisez exclusivement les fourchettes à fondue fournies.
- Lorsque l'appareil a préchauffé, tournez le thermostat à la température souhaitée.
- L'appareil est équipé d'un thermostat. Pendant la cuisson, le témoin s'éteindra lorsque la température est atteinte. Il se rallumera lorsque l'appareil chauffe à nouveau.

Cuire des aliments

- Pour une cuisson rapide et homogène, coupez la viande crue en petits morceaux fins. **Cuisez toujours la viande crue sur la grille ou dans le caquelon à fondue.**
- Retournez régulièrement la viande, le poisson, les fruits de mer et les légumes pendant la cuisson. Cuisez suffisamment la viande.
- Marinez la viande et les légumes avant de les griller. Faites attention lorsque vous grillez les aliments marinés car ils peuvent brunir plus rapidement.



• **AVERTISSEMENT !** Ne cuisez pas la viande crue dans les caquelons à raclette. Évitez les contaminations croisées dues à la cuisson de différents types d'aliments.



• **AVERTISSEMENT ! Danger d'éclaboussures.** Utilisez une serviette en papier pour éliminer l'humidité sur la viande, les légumes ou autres aliments avant de les placer sur la grille ou dans l'huile/la graisse du caquelon à fondue.



• **AVERTISSEMENT ! Risque d'explosion.** Utilisez de l'huile ou de la graisse fraîche et propre adaptée à la fondue. La graisse ou l'huile trop ancienne, brûlée ou inadaptée peut s'enflammer à basse température. **Si la graisse ou l'huile commence à brûler, ne retirez JAMAIS le caquelon à fondue. Ne versez JAMAIS d'eau**

sur la graisse ou l'huile se trouvant dans le caquelon à fondue, car vous risquez une explosion. Pour éteindre un feu éventuel, utilisez un couvercle adapté ou une couverture antifeu. Même si les flammes ne sont plus visibles, ne retirez pas le couvercle ou la couverture du caquelon à fondue avant qu'il n'ait totalement refroidi. Si le couvercle ou la couverture est enlevé(e) alors que le caquelon est encore chaud, l'huile/la graisse dans le caquelon pourrait recommencer à brûler.



• **AVERTISSEMENT ! Danger de mort suite à des brûlures.** Ne laissez pas les enfants sans surveillance à proximité du caquelon à fondue. Toute utilisation inadaptée pourrait entraîner une chute et provoquer de graves brûlures dues à la graisse, l'huile, le bouillon ou le fromage.



• **ATTENTION !** Éviter les brûlures. Ne touchez pas le métal des fourchettes à fondue lors de l'utilisation de l'appareil. Manipulez les fourchettes par la poignée.



• **ATTENTION !** Éviter les brûlures. Ne touchez pas la plaque, le caquelon à fondue et le support à fourchettes, car ils sont brûlants. Pour les retirer de l'appareil, utilisez des gants de cuisine et les placer sur un dessous-de-plat résistant à la chaleur.

• N'utilisez pas d'ustensiles en métal pour enlever la poussière ou la graisse de la plaque, des caquelons à raclette ou du caquelon à fondue. Ceci pour éviter d'endommager le revêtement antiadhésif. Utilisez un chiffon ou du papier humide pour enlever la poussière ou la graisse de la plaque, des caquelons à raclette ou du caquelon à fondue.

4) NETTOYAGE ET MAINTENANCE

- Nettoyez l'appareil après chaque utilisation.
- Tournez le thermostat en position MIN, retirez la fiche de la prise de courant et laissez refroidir entièrement l'appareil (\pm 30 minutes).
- Ne jetez pas la graisse liquide ou l'huile dans les canalisations. En se solidifiant, la graisse pourrait les boucher. Apportez ces déchets au centre de recyclage.
- N'immergez jamais l'appareil dans de l'eau ou tout autre liquide.
- Nettoyer le boîtier et l'intérieur avec un chiffon humide.
- Nettoyez la grille, le caquelon à fondue, les caquelons à raclette, les fourchettes à fondue et le support pour fourchettes à fondue dans de l'eau chaude, avec du liquide vaisselle.
- N'utilisez jamais de produits de nettoyage agressifs ou abrasifs, une éponge à récurer ou de la paille de fer, cela endommage l'appareil, la cuve intérieure et le revêtement antiadhésif.
- Essuyez soigneusement la base, la grille, le caquelon à fondue, les caquelons à raclette, les fourchettes à fondue et le support pour fourchettes à fondue.
- Réassemblez l'appareil en remettant en place la grille amovible.
- Ne rangez pas les accessoires en métal dans le caquelon à fondue amovible, cela pourrait endommager le revêtement antiadhésif.
- Ne nettoyez pas la grille, le caquelon à fondue, les caquelons à raclette, les fourchettes à fondue et le support pour fourchettes à fondue dans le lave-vaisselle. Pour une durée de vie optimale des revêtements antiadhésifs et éviter une décoloration éventuelle des matériaux, il est conseillé de laver ces éléments à la main dans une eau chaude et savonneuse.
- Si le revêtement antiadhésif a été endommagé par abrasion avec des accessoires, ne pas le laver au lave-vaisselle car cela ne fera qu'aggraver le problème.
- Rangez l'appareil dans un endroit sec.

5) SPÉCIFICATIONS

- Tension d'entrée : 220 - 240 V~, 50/60 Hz
- Puissance : 1100 W
- Longueur de câble : 1,1 m
- Capacité du caquelon à fondue : 1,3 l (indicateur de remplissage maximal)
- Poids : 2,9 kg
- Dimensions : 26 x 40 x 28 cm (H x l x P)

6) ENTREPOSAGE ET TRANSPORT

- Avant d'entreposer l'appareil, celui-ci doit d'abord être nettoyé comme indiqué dans ce mode d'emploi. L'appareil doit être entreposé dans son emballage d'origine.
- Entrezposez toujours l'appareil dans un endroit sec et bien aéré et hors de portée des enfants.
- Protégez l'appareil contre les vibrations et les chocs pendant le transport.

L'ensemble des contenus et spécifications mentionnés dans ce manuel sont susceptibles de modifications sans avis préalable.

INSTRUCTIONS POUR LA PROTECTION DE L'ENVIRONNEMENT

(DEEE, la directive concernant les déchets d'équipements électriques et électroniques)



Votre produit a été fabriqué en utilisant des matériaux de haute qualité et des composants qui peuvent être recyclés et réutilisés. A la fin de sa durée de vie, ce produit ne doit pas être jeté dans les ordures ménagères, mais il doit être remis à un point de collecte spécial pour le recyclage des équipements électriques et électroniques. Ceci est indiqué dans le mode d'emploi et sur l'emballage par un conteneur de déchets marqué d'un symbole de croix. Les matières premières utilisées sont appropriées pour le recyclage.

En recyclant les appareils usagés ou les matières premières, vous apportez une contribution importante à la protection de notre environnement. Informez-vous auprès de votre municipalité concernant le point de collecte le plus proche.

BEDIENUNGSANLEITUNG: MAGNANI – 3-IN-1 FONDUE, RACLETTE UND GRILL

MODEL: MI-HA-FRTO1-B

INHALTSVERZEICHNIS

- 1) Verpackungsinhalt
- 2) Sicherheitshinweise
- 3) Installation und Verwendung des Produkts
- 4) Pflege und Reinigung
- 5) Technische Daten
- 6) Lagerung und Transport



1) VERPACKUNGSIHALT

- Raclette-Grill
- Antihafbeschichteter Fonduetopf (1 x)
- Antihafbeschichtete Raclette-Pfännchen (8 x)
- Fonduegabeln (6 x)
- Ringhalterung für Fonduegabeln (1 x)
- Bedienungsanleitung

2) SICHERHEITSAUWEISUNGEN

Vor Gebrauch des „Magnani 3-in-1 Fondue, Raclette und Grill“ (nachfolgend als „Gerät“ bezeichnet) immer die folgenden grundlegenden Vorsichtsmaßnahmen beachten.

WARNHINWEIS!



Einige Teile und Zubehörteile dieses Geräts können heiß werden. Berühren Sie diese Teile nicht, um Verbrennungen zu vermeiden.

Allgemeine Informationen

- Lesen Sie diese Anweisungen sorgfältig durch und bewahren Sie sicher auf. Wenn Sie dieses Gerät an andere Personen weitergeben, geben Sie bitte auch diese Bedienungsanleitung mit.
- Verwenden Sie dieses Gerät nur entsprechend der Anweisungen in dieser Bedienungsanleitung.
- Dieses Gerät kann von Kindern ab 8 Jahren und von Personen mit körperlichen, sensorischen oder mentalen Einschränkungen sowie mangelnder Erfahrung und Wissen verwendet werden, sofern sie zuvor entsprechend von einer für ihre Sicherheit verantwortlichen Person in der Verwendung des Geräts unterwiesen wurden. Kinder dürfen mit dem Gerät nicht spielen. Reinigung und Wartung dürfen nicht von Kindern unter 8 Jahren ausgeführt werden. Ab 8 Jahren müssen sie beaufsichtigt werden.
- Halten Sie das Gerät und Stromkabel von Kindern unter 8 Jahren fern.
- Das Gerät ist nur für den häuslichen oder ähnlichen Gebrauch bestimmt, nicht für die professionelle Nutzung.



- **WARNHINWEIS!** Lassen Sie kein Verpackungsmaterial achtlos herumliegen. Kinder könnten es als gefährliches Spielmaterial verwenden. **Erstickungsgefahr!**

Strom und Wärme

- Prüfen Sie vor dem Einsatz, ob die Netzspannung identisch mit der auf dem Typenschild des Geräts angegebenen Netzspannung ist.
- Vergewissern Sie sich, dass Ihre Hände trocken sind, bevor Sie das Gerät, Stromkabel oder Stecker berühren.

- Stecken Sie den Netzstecker in eine geerdete Steckdose, die jederzeit leicht zugänglich ist.



• **WARNHINWEIS!** Decken Sie den Netzstecker oder das Netzkabel niemals mit Tüchern, Vorhängen oder anderem Material ab, um Überhitzung und mögliche Brandgefahr zu vermeiden.

- Achten Sie darauf, dass das Gerät und das Netzkabel nicht an Hitzequellen wie heiße Kochplatten oder offenes Feuer gelangen.
- Das Gerät muss seine Hitze ableiten können, um einer Brandgefahr vorzubeugen. Stellen Sie deshalb sicher, dass das Gerät genügend Platz um sich herum hat (mindestens 20 cm von allen Seiten) und platzieren Sie das Gerät nicht gegen und/oder auf oder in die Nähe von brennbaren Materialien.



• **WARNHINWEIS!** Das Gerät darf nicht abgedeckt werden, um Überhitzung und mögliche Brandgefahren zu vermeiden.

- Überprüfen Sie das Netzkabel regelmäßig auf Schäden.
- Verwenden Sie das Gerät nicht, wenn das Netzkabel Anzeichen von Schäden aufweist, wenn das Gerät auf den Boden gefallen ist oder andere Anzeichen von Schäden aufweist.
- Schalten Sie das Gerät aus und ziehen Sie den Netzstecker, wenn Sie beim Gebrauch Fehler entdecken oder Beschädigungen feststellen und wenn das Gerät nicht benutzt oder gereinigt wird.
- Achten Sie darauf, dass niemand auf das Netzkabel treten oder es einklemmen kann.
- Das Netzkabel darf nicht über scharfen Kanten hängen. Halten Sie es von heißen Objekten und offenen Flammen fern.
- Beim Einstecken des Steckers darauf achten, dass er nicht versehentlich herausgezogen werden oder dass man darüber stolpern kann.
- Ziehen Sie den Netzadapter bei Gewitter oder längerer Nichtbenutzung aus der Steckdose.
- Ziehen Sie beim Entfernen des Steckers aus der Steckdose am Stecker, nicht am Kabel.
- Betreiben Sie das Gerät nicht mit einer externen Zeitschaltuhr oder einer separaten Fernbedienung.
- Verwenden Sie falls nötig ein 10-Ampere-Verlängerungskabel. Kabel mit weniger Ampere können durchbrennen.
- Bei Verwendung eines Verlängerungskabels dieses ganz ausrollen.



• **WARNHINWEIS!** Um das Risiko von Brand oder Stromschlag zu reduzieren, muss das Gerät vor Wassertropfen oder Wasserspritzern und feuchten Umgebungen geschützt werden. Halten Sie es von Objekten, die mit Flüssigkeiten gefüllt sind (wie Vasen) fern. Solche Gegenstände sollten nicht auf das Gerät oder in dessen Nähe gestellt werden.

Verwendung

- Verwenden Sie das Gerät nicht in der Nähe von brennbaren Materialien.
- **Lassen Sie das Gerät niemals unbeaufsichtigt, wenn es in Betrieb ist.**
- Dieses Gerät ist kein Spielzeug und sollte unter strenger Aufsicht gehalten werden, um zu verhindern, dass Kinder das Gerät als Spielzeug benutzen.
- Kinder dürfen dieses Gerät nicht ohne Aufsicht reinigen oder pflegen.
- Kinder dürfen niemals Haushaltsgeräte als Spielzeug oder ohne Aufsicht verwenden. Kinder können Gefahren, die von einer falschen Benutzung elektrischer Geräte ausgehen, nicht einschätzen.
- Kinder, die sich in der Nähe des Gerätes aufhalten, müssen stets von einem Erwachsenen beaufsichtigt werden.
- Achten Sie vor der Verwendung immer darauf, dass das Gerät richtig zusammengesetzt ist.
- Stellen Sie das Gerät auf eine flache, stabile Oberfläche, an einem Ort, wo es nicht umfallen kann.
- Lehnen Sie sich nicht auf das Gerät.
- Lassen Sie einen Freiraum von mindestens 20 m um das Gerät herum. Dies verhindert durch Hitze verursachte Schäden.
- Benutzen Sie das Gerät nicht, wenn die Grillplatte und der Fonduetopf nicht eingesetzt sind.
- Berühren Sie es während der Benutzung nicht mit der Hand oder durch andere Mittel.



• Benutzen Sie nicht die Hände oder andere Körperteile, um die Temperatur des Geräts zu fühlen, während es in Betrieb ist.

- Stellen Sie das Gerät nicht woanders hin, wenn es eingeschaltet oder noch warm ist. Schalten Sie das Gerät aus und stellen Sie es erst weg, wenn es abgekühlt ist.
- Verwenden Sie den Fonduetopf, die Grillplatte, die Fonduegabeln oder die Raclette-Pfännchen nicht in einem herkömmlichen Backofen.
- Stellen Sie den Fonduetopf, die Grillplatte, die Fonduegabeln oder die Raclette-Pfännchen nicht auf einen heißen Gas- oder Elektrobrenner.
- Verwenden Sie den Fonduetopf, die Grillplatte, die Fonduegabeln oder die Raclette-Pfännchen nur mit dem

Gerät. Verwenden Sie keine(n) andere(n) Fonduetopf, Grillplatte, Fonduegabeln oder Raclette-Pfännchen.

- Verwenden Sie keine(n) beschädigte(n) oder gesprungene(n) Fonduetopf, Grillplatte, Fonduegabeln oder Raclette-Pfännchen.
- Füllen Sie den Fonduetopf des Geräts nicht höher als die Markierung „MAX“.
- Füllen Sie den Fonduetopf des Geräts nicht niedriger als die Markierung „MIN“.
- Füllen Sie nicht zu wenig und nicht zu viel Bratfett, Frittieröl, Brühe oder Käse in den herausnehmbaren Fonduetopf.



• **WARNHINWEIS! Explosionsgefahr.** Verwenden Sie neues, sauberes Fett oder Öl, das für Fondue geeignet ist. Altes, gebrauchtes oder ungeeignetes Fett/Öl kann sich bei niedrigen Temperaturen entzünden. Wenn das Fett oder Öl zu brennen anfängt, entfernen Sie nie den Fonduetopf. Löschen Sie das Fett oder Öl im Fonduetopf nie mit Wasser, weil eine Explosionsgefahr besteht. Löschen Sie das Feuer mit einem passenden Topfdeckel oder einer Löschdecke. Auch wenn die Flammen nicht mehr sichtbar sind, entfernen Sie nicht den Deckel oder die Decke vom Fonduetopf, bis er ganz abgekühlt ist. Wenn der Deckel oder die Decke entfernt wird, während der Fonduetopf noch heiß ist, kann das Fett/Öl im Fonduetopf erneut zu brennen anfangen.



• **WARNHINWEIS! Lebensgefahr durch Verbrennung.** Lassen Sie Kinder nicht unbeaufsichtigt mit dem Fonduetopf, weil falsche Verwendung dazu führen kann, dass der Topf herunterfällt und dadurch ernsthafte Verbrennungen durch heißes Fett, Öl, Brühe oder Käse entstehen können.

Kühlen Sie bei einer Verbrennung sofort 10 bis 20 Minuten mit lauwarmem Leitungswasser. Nehmen Sie auch möglichst schnell Kleidung und Schmuck ab. Lassen Sie Kleidung in Ruhe, die an der Wunde haftet. Tragen Sie keine Mittel (wie Creme) auf die Verbrennung auf. Bedecken Sie die Wunde vorübergehend mit Plastikklebefolie. Suchen Sie nach dem Kühlen einen Arzt auf:

- wenn Sie Blasen auf Ihrem Gesicht, Ihren Händen, Füßen oder Genitalien haben
- wenn die Verbrennung größer als die halbe Hand der Person ist, die sich verbrannt hat
- wenn der verbrannte Bereich gelblich-weiß, braun oder schwarz ist und nicht wehtut

Bei Verbrennungen von Kindern suchen Sie nach dem Kühlen immer einen Arzt auf.

- Es wird empfohlen, eine hitzebeständige Abdeckung zwischen Tisch und dem Gerät zu legen, damit aufgrund der Wärme keine Spuren auf Ihrem Tisch zurückbleiben.
- Bewegen Sie das Gerät nicht während des Garvorgangs.
- Bewegen Sie das Gerät nicht, wenn der Fonduetopf auf dem Gerät steht. Der Fonduetopf kann von der Grillplatte herunterrutschen.



• Stellen Sie das Gerät nicht woanders hin, wenn es eingeschaltet oder noch warm ist. Schalten Sie das Gerät aus und stellen Sie es erst weg, wenn es abgekühlt ist.

- Die Oberflächen des Geräts werden während der Benutzung sehr heiß. **NICHT BERÜHREN!**
- Verwenden Sie nur hitzebeständige Hilfsmittel mit einem ausreichend wärmeisolierenden Handgriff.
- Bei der Verwendung von Kunststoffutensilien lassen Sie diese nicht im oder auf dem Gerät, wenn es heiß ist!
- Tragen Sie beim Umgang mit dem Gerät während und sofort nach der Benutzung Ofenhandschuhe und benutzen Sie hitzebeständige Utensilien zum Probieren der Nahrung.
- Verwenden Sie keine scharfen Gegenstände im Fonduetopf oder auf der Grillplatte und in den Raclette-Pfännchen. Diese schädigen die Antihafbeschichtung.



• **WARNHINWEIS!** Essen Sie nicht direkt von den Fonduegabeln, um Schnitt- und Stichwunden zu vermeiden. Die Gabeln sind sehr scharf und spitz.

- **WARNHINWEIS!** Zur Vermeidung von Verbrennungen essen Sie nicht direkt von den Fonduegabeln und berühren Sie das Metall nicht, wenn die Fonduegabeln aus dem heißen Fett, Öl, Brühe oder Käse kommen.
- Machen Sie das Gerät nach dem Gebrauch gründlich sauber (siehe „Wartung und Reinigung“).
- Stellen Sie den Fonduetopf, die Grillplatte, die Fonduegabeln oder die Raclette-Pfännchen nicht in kaltes Wasser oder den Gefrierschrank, wenn sie heiß sind.
- Wenn benutzt oder gelagert, legen Sie außer dem Fonduetopf oder der Grillplatte nichts auf das zusammengesetzte Gerät.
- Vermeiden Sie Orte mit Vibrationen, Kälte oder Feuchtigkeit.
- Setzen Sie das Gerät nicht dem direkten Sonnenlicht, Wärmequellen, übermäßiger Feuchtigkeit oder korrosiven Umgebungen aus.
- Setzen Sie das Gerät keiner mechanischen Beanspruchung aus.
- Eine missbräuchliche Verwendung kann das Produkt beschädigen.
- Bitte gehen Sie vorsichtig mit dem Gerät um. Aufpralle oder Stürze, selbst aus geringer Höhe, können das Gerät beschädigen.
- Öffnen Sie das Gehäuse nicht, da dies zu einem Stromschlag führen kann.
- Das Gerät sollte nicht demontiert, repariert oder auf irgendeine Art und Weise verändert werden.

- Das Gerät muss bei jeglicher Beschädigung professionell repariert werden, z. B. bei beschädigtem Netzkabel, verschütteter Flüssigkeit, wenn Objekte in das Gerät gefallen sind, es Regen oder Feuchtigkeit ausgesetzt war, es fallengelassen wurde oder nicht normal funktioniert.
- Verwenden Sie zur Reinigung des Geräts keine scheuernden Reinigungsmittel.
- Reinigen Sie das Gerät nicht mit Fremdkörpern.
- Dieses Gerät ist nur für den Haushalt bestimmt, nicht für den professionellen Gebrauch.



Wichtige Information, folgen Sie diesen Anweisungen

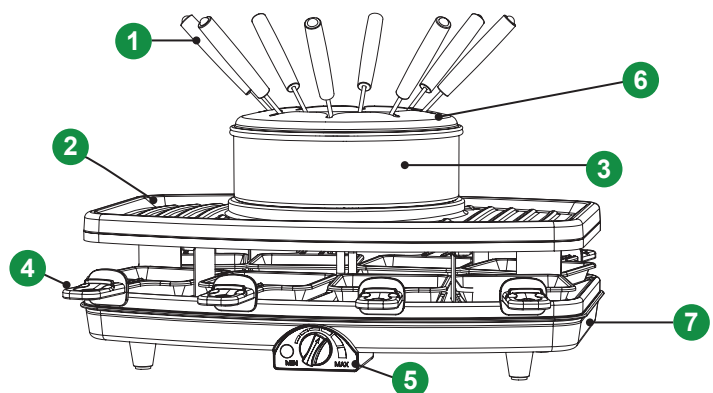
- Dieses Gerät kann von Kindern ab 8 Jahren und von Personen mit körperlichen, sensorischen oder mentalen Einschränkungen sowie mangelnder Erfahrung und Wissen verwendet werden, sofern sie zuvor entsprechend von einer für ihre Sicherheit verantwortlichen Person in der Verwendung des Geräts unterwiesen wurden. Kinder dürfen mit dem Gerät nicht spielen. Reinigung und Wartung dürfen nicht von Kindern unter 8 Jahren ausgeführt werden.
- Verwenden Sie das Gerät nur in Innenräumen, in trockenen Bereichen und nicht in der Nähe von Wasser, anderen Flüssigkeiten oder Feuchtigkeit.
- Das Gerät nicht verwenden, wenn das Kabel oder der Stecker in Wasser oder andere Flüssigkeiten gefallen ist.
- Tauchen Sie das Gerät, das Kabel und den Netzstecker niemals in Wasser oder andere Flüssigkeiten.
- Das Gerät nicht hochnehmen, wenn es in Wasser oder andere Flüssigkeiten gefallen ist. Ziehen Sie sofort den Stecker aus der Steckdose. Das Gerät nicht mehr benutzen.
- Teile des Geräts können heiß werden. Berühren Sie diese Teile nicht, um Verbrennungen zu vermeiden.

3) INSTALLATION UND VERWENDUNG DES GERÄTS

Öffnen Sie die Verpackung vorsichtig, bevor Sie das Gerät herausnehmen. Stellen Sie sicher, dass das Gerät vollständig und unbeschädigt ist. Sollten Teile fehlen oder beschädigt sein, kontaktieren Sie den Lieferanten und verwenden Sie das Produkt nicht. Die Verpackung sollte aufbewahrt oder in Übereinstimmung mit den örtlichen Vorschriften recycelt werden.

Teile und Merkmale des Geräts

- 1 Fonduegabeln (6 Stück)
- 2 Grillplatte (abnehmbar)
- 3 Fondueopf
- 4 Raclette-Pfännchen (8 Stück)
- 5 Thermostatknopf
- 6 Ringhalterung für Fonduegabeln
- 7 Heizplatte

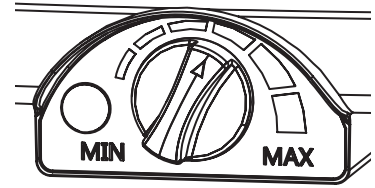


Erste Verwendung

- Nehmen Sie das Gerät und das Zubehör aus dem Karton. Entfernen Sie alle Aufkleber, Schutzfolien oder Kunststoff vom Gerät.
- Bevor Sie das Gerät zum ersten Mal verwenden, reinigen Sie das Unterteil mit einem feuchten Tuch und spülen Sie alle abnehmbaren Teile mit Seifenwasser ab.
- Trocknen Sie gründlich das Unterteil und alle abnehmbaren Teile.
- Verwenden Sie niemals aggressive oder scheuernde Reinigungsmittel, Scheuerschwamm oder Stahlwolle; dies beschädigt das Gerät, den Fondueopf, die Grillplatte und die Raclette-Pfännchen.
- Stellen Sie das Gerät auf eine flache, stabile Oberfläche, an einem Ort, wo es nicht umfallen kann.
- Platzieren Sie die Grillplatte **2** auf der Halterung der Heizplatte **7**. Stellen Sie sicher, dass die Grillplatte horizontal platziert und sicher ist. Stellen Sie den Fondueopf **3** dann so hin, dass das Heizelement bedeckt ist.
- Wenn Sie das Gerät mit dem Fondueopf **3** verwenden möchten, stellen Sie den Fondueopf in die Mitte (runder Kreis) der Grillplatte **2** und bringen Sie die Ringhalterung für Fonduegabeln **6** auf dem Fondueopf an.
- Stellen Sie sicher, dass der Thermostatknopf **5** auf der Position MIN steht.
- Schließen Sie das Gerät an das Stromnetz an.

Ein-/Ausschalter

- Wenn das Gerät mit dem Stromnetz verbunden ist, stellen Sie sicher, dass der Thermostatknopf **5** auf der Position MIN steht.
- Wenn Sie den Thermostatknopf im Uhrzeigersinn drehen, wird die LED-Lampe (links vom Thermostatknopf) rot aufleuchten.
- Zum Ausschalten des Geräts stellen Sie sicher, dass der Thermostatknopf **5** auf der Position MIN steht. Die LED-Lampe wird nicht mehr leuchten.
- Ziehen Sie dann den Netzstecker aus der Steckdose.



Garen mit der Grillplatte

- Stellen Sie vor jeder Verwendung sicher, dass die Heizplatte **7**, der Fonduetopf **3**, die Halterung für Fonduegabeln **6** und die Grillplatte **2** sauber und trocken sind und dass die Grillplatte horizontal platziert und sicher ist.
- Stellen Sie das Gerät auf eine flache, stabile Oberfläche, an einem Ort, wo es nicht umfallen kann.
- Stellen Sie sicher, dass der Thermostatknopf **5** auf der Position MIN steht.
- Heizen Sie die Grillplatte ± 5 Minuten vor, indem Sie den Thermostatknopf **5** im Uhrzeigersinn auf die Position MAX drehen und die LED-Lampe rot aufleuchtet. Stellen Sie sicher, dass der Fonduetopf **3** so auf der Grillplatte steht, dass das Heizelement bedeckt ist.
- **Heizen Sie die Raclette-Pfännchen nicht vor.**
- Es wird empfohlen, eine Schicht Speiseöl auf die Grillplatte zu streichen.
- Wenn Sie das Raclette zum ersten Mal verwenden, können ein leichter Geruch und Rauch auftreten, was ganz normal ist. Der Geruch und Rauch werden nach einigen Minuten verschwinden.
- Wenn das Gerät vorgeheizt ist, drehen Sie den Thermostatknopf auf die gewünschte Temperatur.
- Legen Sie Zutaten in die Raclette-Pfännchen und/oder auf die Grillplatte (siehe „Lebensmittel garen“).
- Stellen Sie die Raclette-Pfännchen auf die Heizplatte unter der Grillplatte, füllen Sie die Raclette-Pfännchen nicht zu voll.
- Das Gerät verfügt über einen Thermostat. Während des Garvorgangs schaltet sich die LED-Anzeige aus, wenn die eingestellte Temperatur erreicht ist und wird sich wieder einschalten, wenn das Gerät aufheizt.

Garen mit dem Fonduetopf

- Stellen Sie vor jeder Verwendung sicher, dass die Heizplatte **7**, der Fonduetopf **3**, die Halterung für Fonduegabeln **6** und die Grillplatte **2** sauber und trocken sind und dass die Grillplatte horizontal platziert und sicher ist.
- Füllen Sie nicht zu viel in den Fonduetopf. Füllen Sie den herausnehmbaren Fonduetopf über der Markierung MIN und unter der Markierung MAX mit Bratfett, Frittieröl, Brühe oder Käse.
- Stellen Sie das Gerät auf eine flache, stabile Oberfläche, an einem Ort, wo es nicht umfallen kann.
- Stellen Sie den Fonduetopf in die Mitte (runder Kreis) der Grillplatte **2** und bringen Sie die Ringhalterung für Fonduegabeln **6** auf dem Fonduetopf an.
- Stellen Sie sicher, dass der Thermostatknopf **5** auf der Position MIN steht.
- Heizen Sie die Grillplatte und den Fonduetopf ± 5 Minuten vor, indem Sie den Thermostatknopf **5** im Uhrzeigersinn auf die Position MAX drehen und die LED-Lampe rot aufleuchtet.
- Wenn das Gerät vorgeheizt ist, geben Sie Zutaten in den Fonduetopf (siehe „Lebensmittel garen“).
- Verwenden Sie nur die mitgelieferten Fonduegabeln.
- Wenn das Gerät vorgeheizt ist, drehen Sie den Thermostatknopf auf die gewünschte Temperatur.
- Das Gerät verfügt über einen Thermostat. Während des Garvorgangs schaltet sich die LED-Anzeige aus, wenn die eingestellte Temperatur erreicht ist und wird sich wieder einschalten, wenn das Gerät aufheizt.

Lebensmittel garen

- Um gleichmäßiger und schneller zu garen, schneiden Sie rohes Fleisch in schmale, dünne Scheiben. Garen Sie rohen Fleisch immer auf der Grillplatte oder im Fonduetopf.
- Wenden Sie Fisch, Meeresfrüchte und Gemüse oft, wenn Sie diese garen. Garen Sie Fleisch gut durch.
- Marinieren Sie Fleisch und Gemüse, bevor Sie es auf der Grillplatte grillen. Passen Sie beim Grillen gut auf, da marinierte Lebensmittel schneller braun werden.



• **WARNHINWEIS!** Garen Sie kein Fleisch in den Raclette-Pfännchen. Vermeiden Sie Kreuzkontamination durch verschiedene Lebensmittelarten.



• **WARNHINWEIS! Spritzgefahr.** Verwenden Sie ein Papiertuch, um Flüssigkeit von Fleisch, Gemüse oder anderen Lebensmitteln zu entfernen, bevor Sie diese auf den Grill oder in das Fett/Öl des Fonduetopfes legen.



• **WARNHINWEIS! Explosionsgefahr.** Verwenden Sie neues, sauberes Fett oder Öl, das für Fondue geeignet ist. Altes, gebrauchtes oder ungeeignetes Fett/Öl kann sich bei niedrigen Temperaturen entzünden. **Wenn das Fett oder Öl zu brennen anfängt, entfernen Sie NIE den Fonduetopf. Löschen Sie das Fett oder Öl im Fonduetopf NIE mit Wasser, weil eine Explosionsgefahr besteht. Löschen Sie das Feuer mit einem passenden Topfdeckel oder einer Löschdecke. Auch wenn die Flammen nicht mehr sichtbar sind, entfernen Sie nicht den Deckel oder die Decke vom Fonduetopf, bis er ganz abgekühlt ist. Wenn der Deckel oder die Decke entfernt wird, während der Fonduetopf noch heiß ist, kann das Fett/Öl im Fonduetopf erneut zu brennen anfangen.**



• **WARNHINWEIS! Lebensgefahr durch Verbrennung.** Lassen Sie Kinder nicht unbeaufsichtigt mit dem Fonduetopf, weil falsche Verwendung dazu führen kann, dass der Topf herunterfällt und dadurch ernsthafte Verbrennungen durch heißes Fett, Öl, Brühe oder Käse entstehen können.



• **VORSICHT!** Verhindern Sie Verbrennungen. Berühren Sie nicht das Metall der Fonduegabeln während der Fonduezubereitung. Halten Sie die Fonduegabeln am Griff fest.



• **VORSICHT!** Verhindern Sie Verbrennungen. Berühren Sie nicht die Grillplatte, den Fonduetopf und die Halterung für Fonduegabeln, da diese sehr heiß sind. Verwenden Sie beim Herausnehmen einen hitzebeständigen Ständer oder Untersetzer und Küchenhandschuhe.

• Verwenden Sie keine Metallgegenstände zum Entfernen von Schmutz oder Fett von der Grillplatte, den Raclette-Pfännchen oder dem Fonduetopf. Dadurch kann die Antihafbeschichtung beschädigt werden. Verwenden Sie ein feuchtes Tuch oder Papier zum Entfernen von Schmutz oder Fett von der Grillplatte, den Raclette-Pfännchen oder dem Fonduetopf.

4) PFLEGE UND REINIGUNG

- Reinigen Sie das Gerät nach jedem Gebrauch.
- Stellen Sie den Thermostatkopf des Geräts auf die Position MIN, ziehen Sie den Stecker aus der Netzsteckdose und lassen Sie das Gerät vollständig abkühlen (± 30 Minuten).
- Gießen Sie kein flüssiges Fett oder Öl in den Abfluss: erkaltetes Fett kann Ihre Rohre verstopfen. Übergeben Sie diese Substanzen zum Recycling an Ihre Sammelstelle vor Ort.
- Tauchen Sie das Gerät niemals in Wasser oder in eine andere Flüssigkeit.
- Reinigen Sie das Gehäuse und das Innere des Geräts mit einem feuchten Tuch.
- Reinigen Sie die Grillplatte, den Fonduetopf, die Raclette-Pfännchen, die Fonduegabeln und die Ringhalterung für Fonduegabeln in warmem Wasser und Geschirrspülmittel.
- Verwenden Sie niemals aggressive oder scheuernde Reinigungsmittel, Scheuerschwamm oder Stahlwolle; dies beschädigt das Gerät und führt zu Kratzern und Schäden an Antihafmaterialien.
- Trocknen Sie das Unterteil, die Grillplatte, den Fonduetopf, die Raclette-Pfännchen, die Fonduegabeln und die Ringhalterung für Fonduegabeln gründlich ab.
- Setzen Sie das Gerät wieder so zusammen, dass die abnehmbare Grillplatte wieder richtig auf dem Gerät platziert ist
- Lagern Sie kein Metallzubehör im Fonduetopf oder auf der Grillplatte und in den Pfännchen, da dies die Antihafbeschichtung beschädigen kann.
- Reinigen Sie die Grillplatte, den Fonduetopf, die Raclette-Pfännchen, die Fonduegabeln und die Ringhalterung für Fonduegabeln nicht im Geschirrspüler. Zur optimalen Gebrauchsdauer von Antihafbeschichtungen und zur Vermeidung möglicher Verfärbungen empfehlen wir Ihnen, diese Teile per Hand in warmem Seifenwasser zu waschen.
- Wenn die Antihafbeschichtung durch das Scheuern des Zubehörs beschädigt wurde, nicht in einer Geschirrspülmaschine reinigen, da dies das Problem nur verschlimmert.
- Lagern Sie das Gerät an einem trockenen Ort.

5) TECHNISCHE DATEN

- Eingangsspannung: 220 - 240 V~, 50/60 Hz
- Strom: 1100 W
- Kabellänge: 1,1 m
- Kapazität Fonduetopf: 1,3 l (Maximum-Fülllinie)
- Gewicht: 2,9 kg
- Maße: 26 x 40 x 28 cm (H x B x T)

6) LAGERUNG UND TRANSPORT

- Wenn Sie das Gerät aufbewahren, sollte es zuerst, wie in der Bedienungsanleitung beschrieben, gereinigt werden. Das Gerät sollte in der Originalverpackung aufbewahrt werden.
- Bewahren Sie das Gerät immer in einem trockenen und gut belüfteten Raum und außerhalb der Reichweite von Kindern auf.
- Schützen Sie das Gerät während des Transports gegen Vibrationen und Stöße.

Die Änderung aller Inhalte und der technischen Daten in dieser Anleitung ist ohne vorherige Ankündigung vorbehalten.

ANWEISUNGEN ZUM SCHUTZ DER UMWELT (EEAG, Rückgewinnung von Elektro- und Elektronik-Altgeräten)



Ihr Produkt wurde aus hochwertigen Materialien und Komponenten hergestellt, die man recyceln und wiederverwenden kann. Am Ende seiner Lebensdauer darf dieses Produkt nicht im normalen Hausmüll entsorgt werden, sondern muss zu einer speziellen Sammelstelle für das Recycling von elektrischen und elektronischen Geräten gebracht werden. Dies wird in der Bedienungsanleitung und der Verpackung durch den durchgestrichenen Abfallbehälter angezeigt. Die verwendeten Rohstoffe sind recyclingfähig.

Durch die Wiederverwertung der Altgeräte oder Rohstoffe leisten Sie einen wichtigen Beitrag zum Schutz unserer Umwelt. Sie können die nächstgelegene Sammelstelle bei Ihrer Gemeinde erfragen.



EU Declaration Of Conformity

We,
Mascot Online BV
Veluwezoom 32
1327 AH Almere
The Netherlands

Declare under our sole responsibility that the product:

- Product Brand: Magnani Italy
- Product Model No: MI-HA-FRT01-B
- Product Description: 3 in 1 Fondue & Raclette Grill
- Product Rating: 220 - 240 V~, 50/60 Hz, Class I, 1100 W

Following the provisions of the Directives:

- Electromagnetic Compatibility (EMC): 2014/30/EU
- Energy Related products (ERP): 2009/125/EC
- Low Voltage Directive (LVD): 2014/35/EU
- Restriction of the use of certain Hazardous Substances in Electrical and Electronic Equipment (RoHS) Directive: 2011/65/EU, with its amendment 2015/863/EU

And standards to which Conformity is declared:

EMC:

- EN 55014-1:2017
- EN 55014-2:2015
- EN IEC 61000-3-2:2019
- EN 61000-3-3:2013 + A1:2019

ERP:

- (EC) No 1275/2008 + (EU) 801/2013

LVD:

- EN 60335-1:2012 + A11:2014 + A13:2017 + A1:2019 + A2:2019 + A14:2019
- EN 60335-2-9:2003 + A1:2004 + A2:2006 + A12:2007 + A13:2010 + AC:2011 + AC:20212
- EN 60335-2-13:2010 + A11:2012
- EN 62233:2008

Date & place of issue: Almere, 01-5-2021

Authorized Signature name: B. van Dijk
Title: Managing Director

