

NOTES:

1. The device is especially designed for pets. This is not a child's toy. Please keep out of reach of children except under adult supervision.
2. Not a chew toy. Do not provide it for heavy chewers. Always supervise your pet while your pet is playing. Please take away the device if it is damaged, broken or falls apart, as this may lead to undesirable injuries.
3. The power core part is not washable, so please keep it away from water.
4. Check the device regularly, in case the core is damaged and the electrical power hurts the dog [Please be careful even the working voltage is very low].
5. Recommended to use the device where the ambient temperature is between 0°C and 40°C.
6. The safety gear is designed for power core protection and it rattles when the ball falls down. Please rest assured that the use of the product.
7. Do not mix old and new batteries or batteries of different brands. Do not mix alkaline, standard, or rechargeable batteries. Only use batteries of same or equivalent type as recommended. Do not use rechargeable batteries.

Start the Ball Rolling.
And Keep the Good Times Rolling.

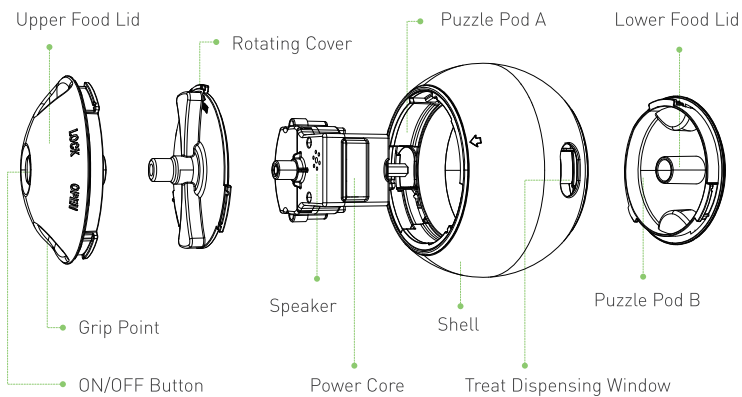
The logo for PETGEEK, featuring the brand name in a bold, white, sans-serif font centered within a light green circular background.

PETGEEK

Foodie Orb
User Manual

Product Overview

Foodie Orb



Accessories

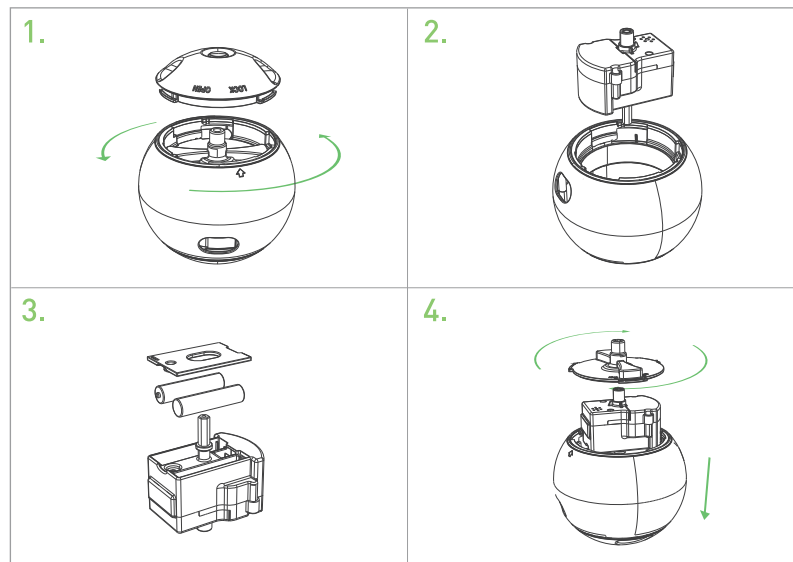


Tech Specs

Dimension (mm)	120 (L) × 120 (W) × 120 (H)	Working Voltage (V)	3
Weight (g)	370	Wattage (W)	MIN 0.5 ; MAX 0.9
Material	ABS Plastic	Battery Type	2 × AAA Battery

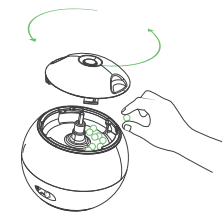
How to install batteries?

1. Twist the upper food lid until it opens and screw the rotating cover of the device;
2. Remove the power core;
3. Unscrew the back of battery box, insert a pair of AAA batteries and tighten the screws;
4. Put the power core back, twist the rotating cover and upper food lid until the device locks in place



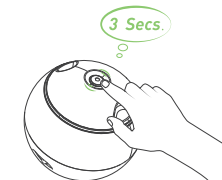
How to fill in the food?

1. Twist the food lid to open it;
2. Add your dog's favorite food into the puzzle pod;
3. Put the lid back and twist it until tight.



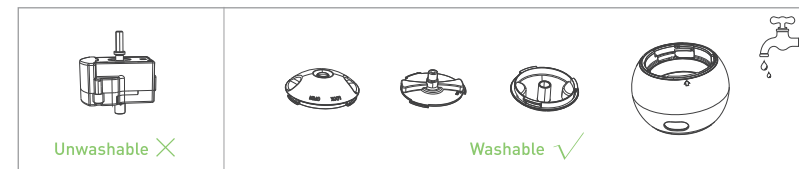
How to start the game?

1. Keep the ON/OFF button long-pressed for 3 seconds, and it will make a sound. Then put the ball on the floor;
2. Time to roll, eat and play!



How to clean?

1. Open the device and remove the power core;
2. Wash and dry the washable parts before using again.



Note:

Recommend to fill it with dry pet food or treat sized up to 0.3 inches in diameter; if the food is stuck inside, please open the device, remove the food and clean it before reuse.