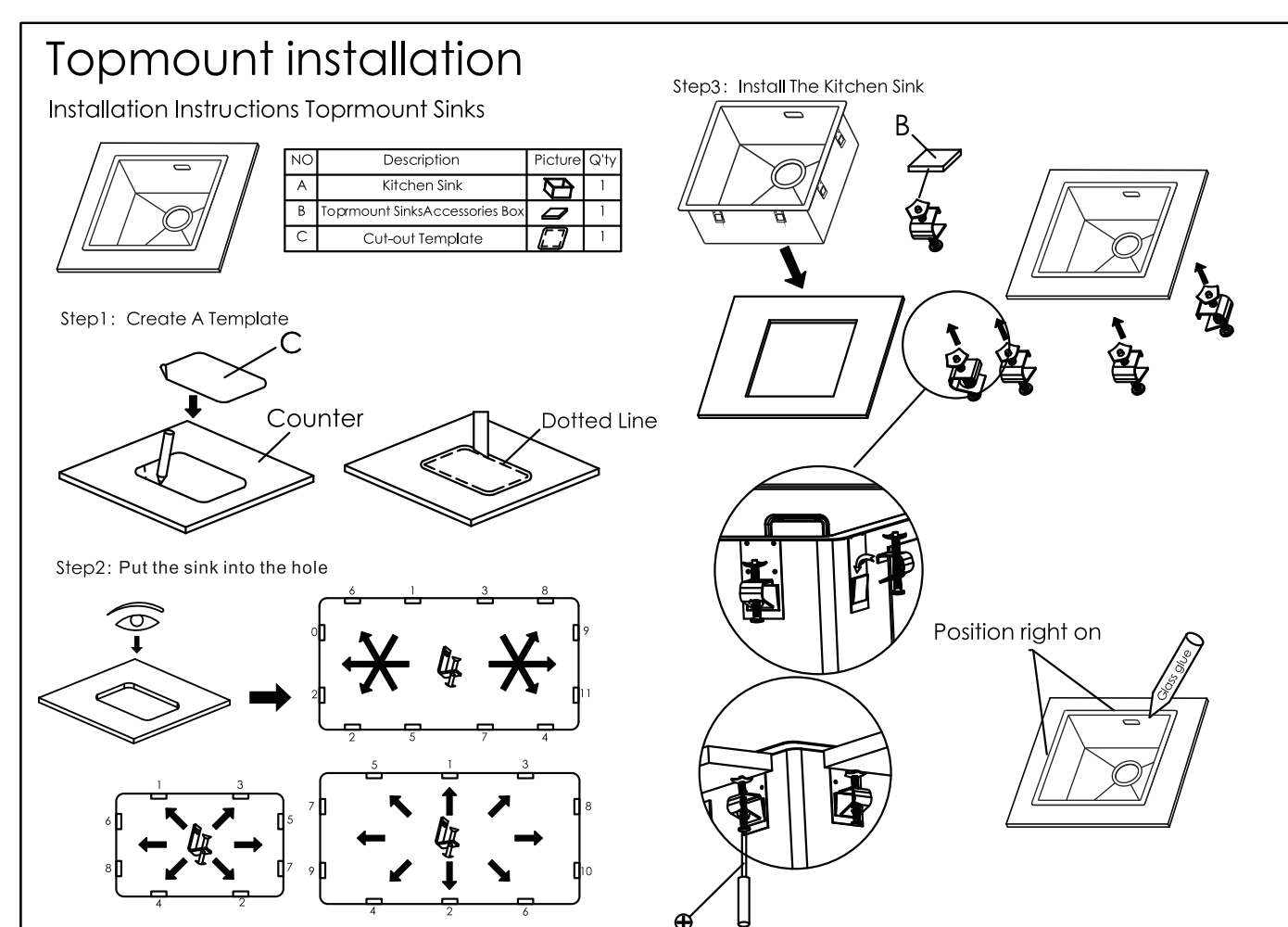
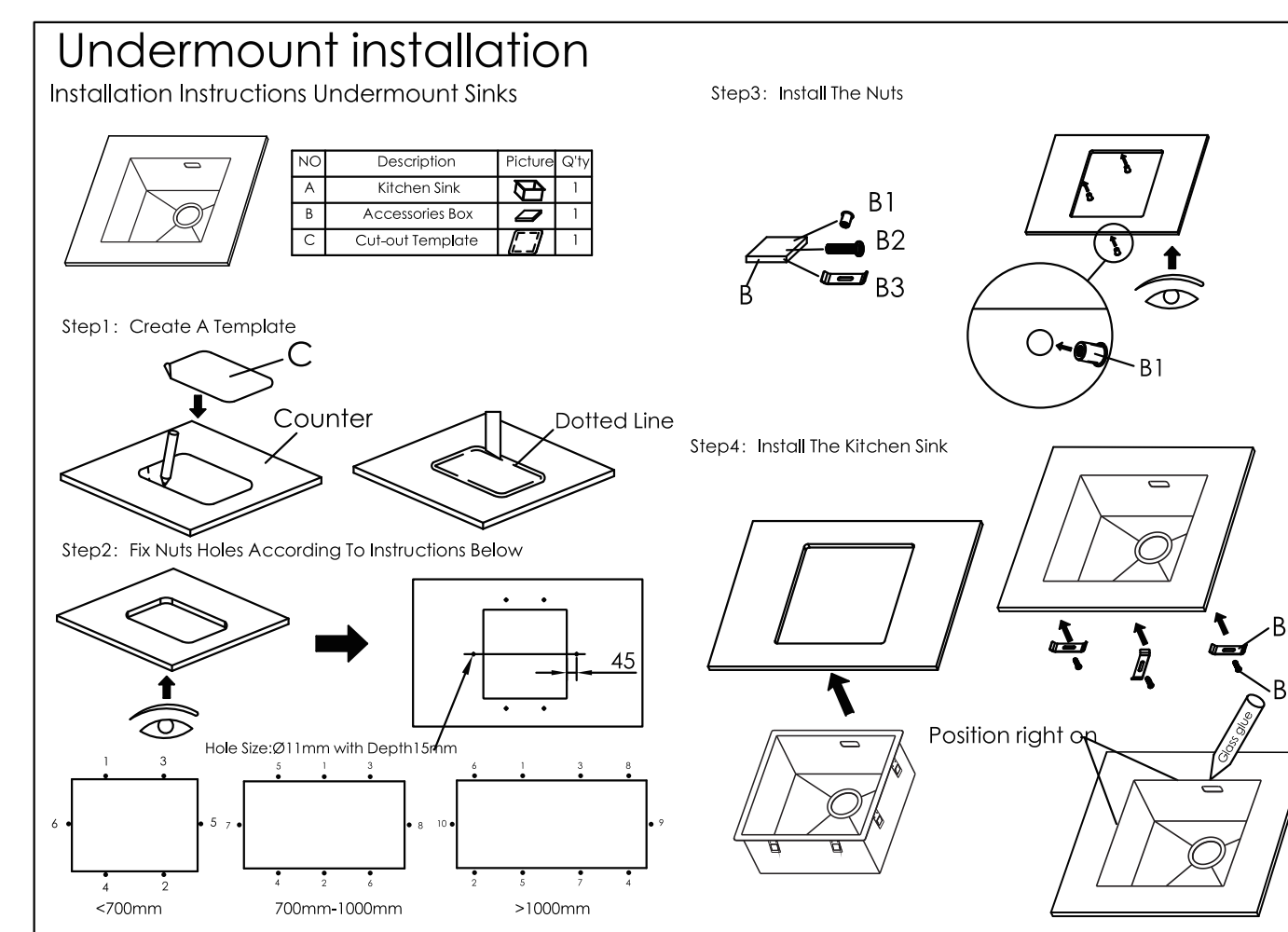


Overall Size



Topmount
Dotted Line Model



For undermount

Please use the inner dimensions of
the sink as reference