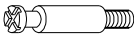




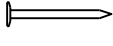










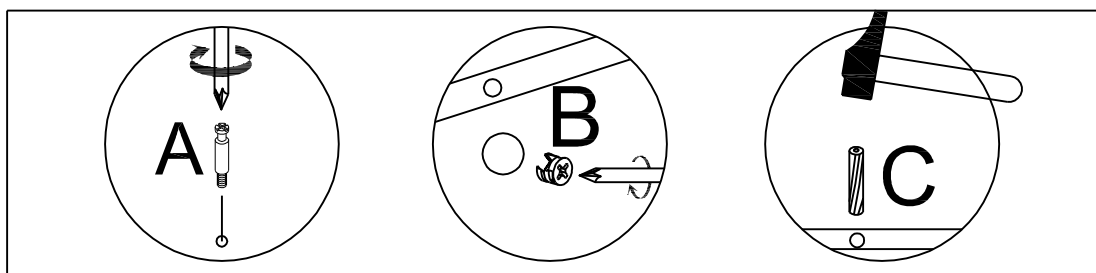
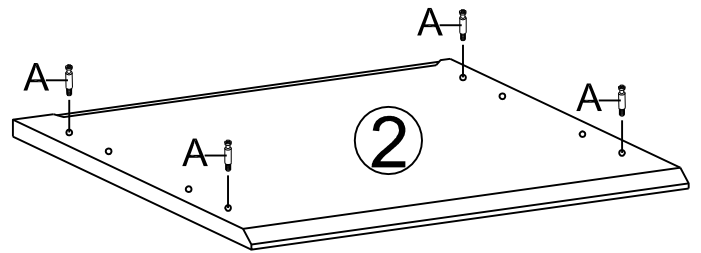
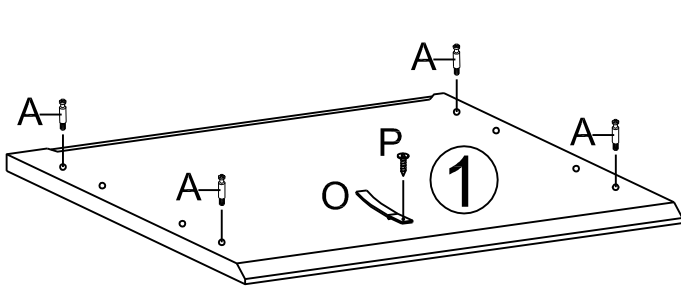
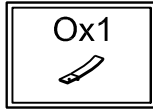
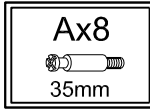


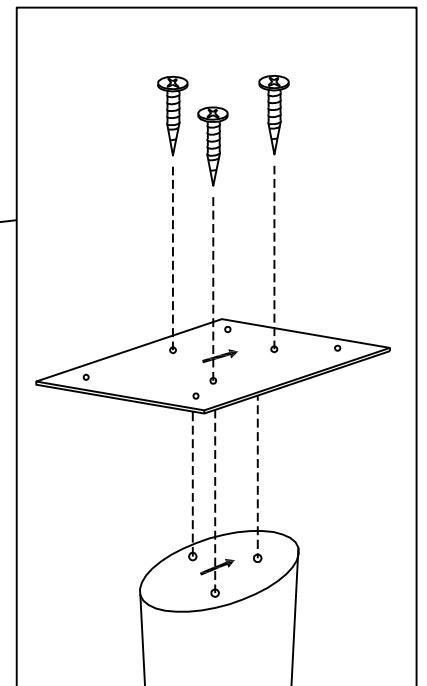
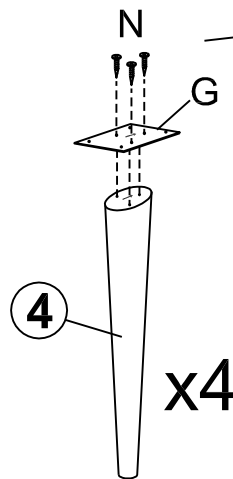
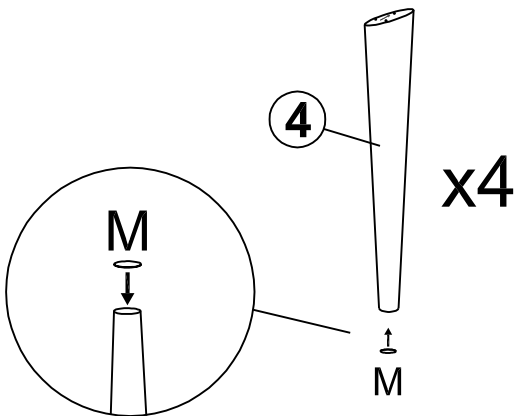
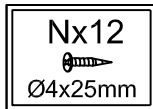
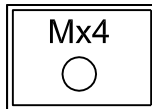
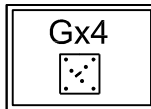
Ax8	Bx8	Cx8	Dx16	Ex8	Fx10	Gx4	Hx1
 35mm	 Ø15x10mm	 Ø6x30mm	 Ø4x10mm	 Ø3x25mm	 Ø1x16mm		 Ø3x16mm
Ix1	Jx8	Kx2	Lx2	Mx4	Nx12	Ox1	Px1
 170mm					 Ø4x25mm		 Ø3x10mm



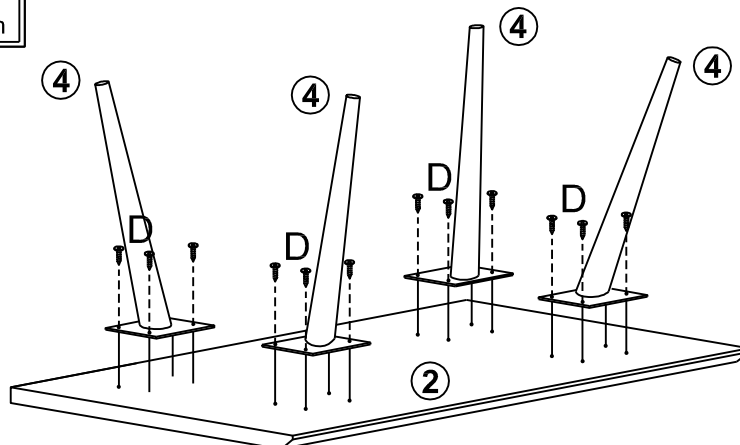
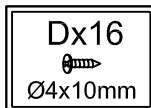
1



2

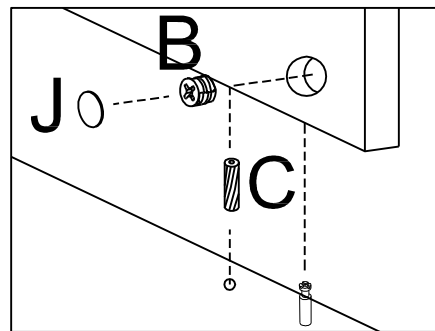
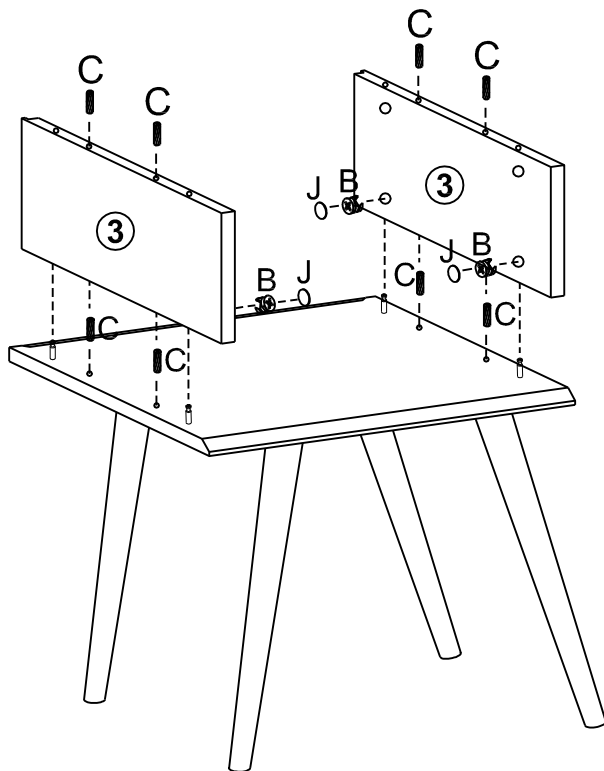
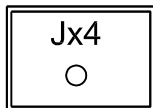
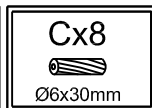
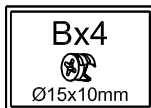


3

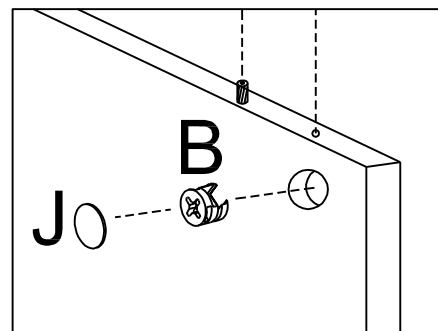
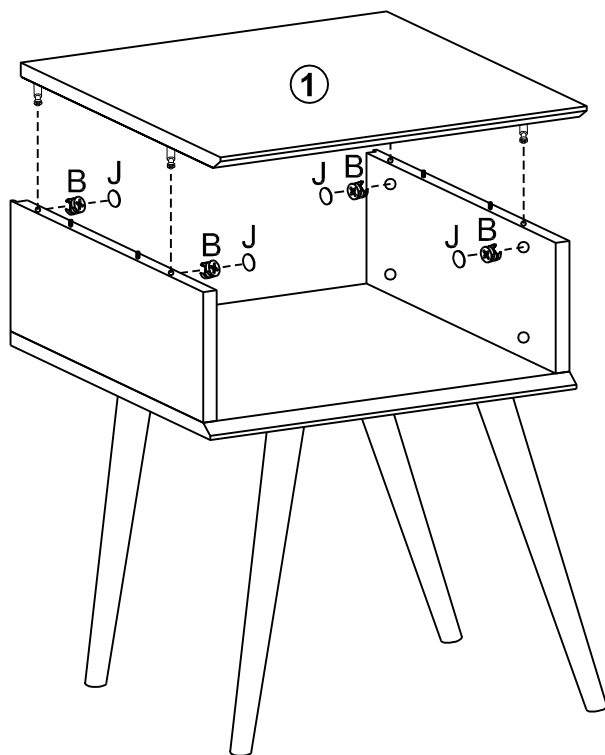
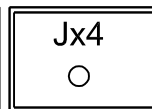


3

4

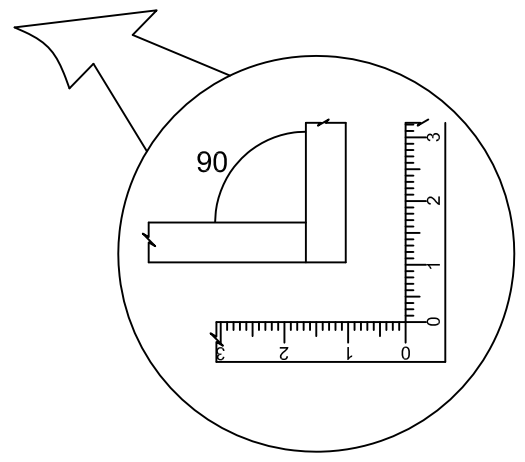
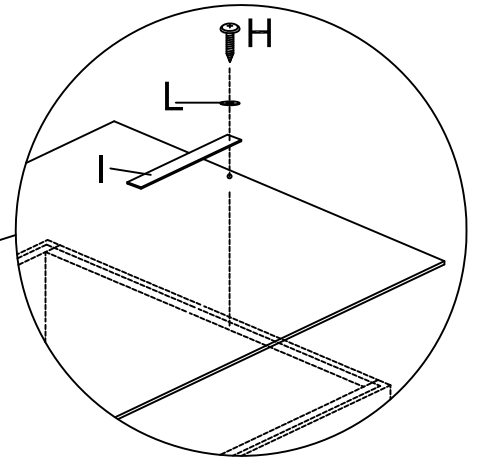
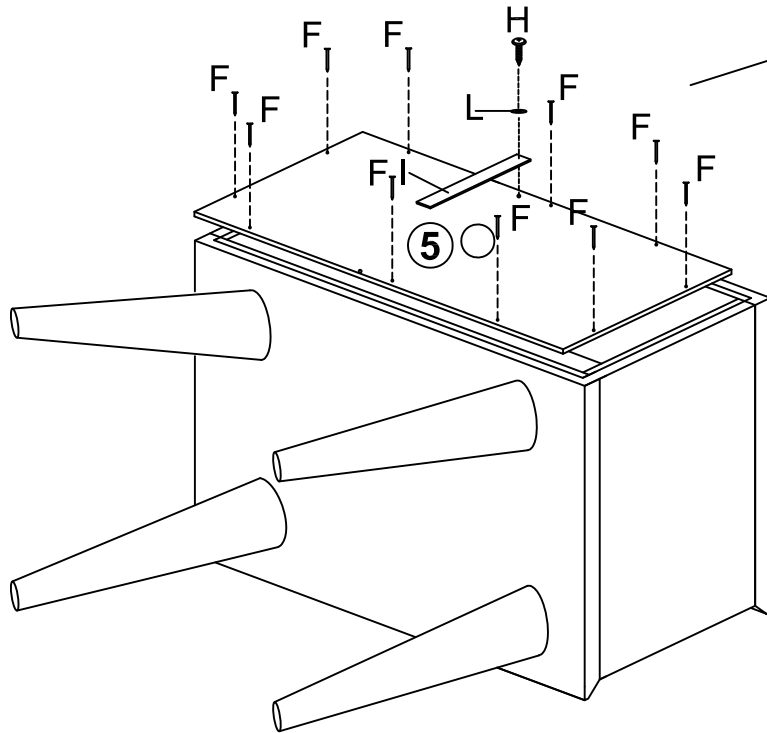


5



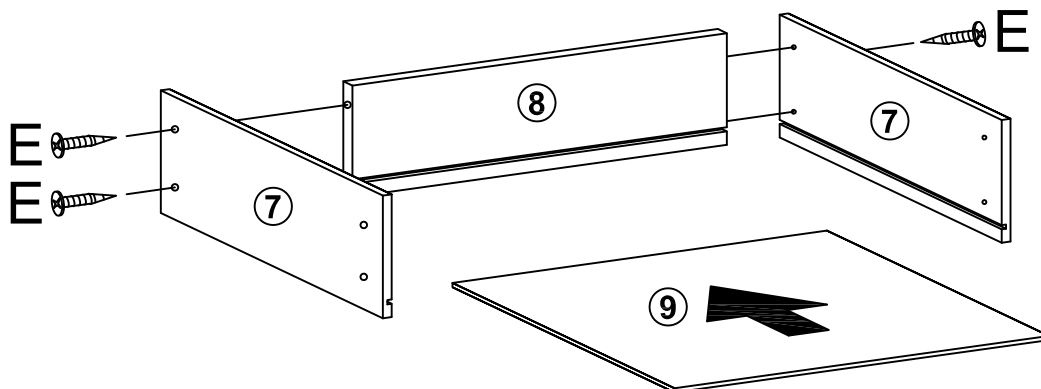
6

Fx10 Ø1x16mm	Hx1 Ø3x16mm	Ix1 170mm	Lx1 ●
-----------------	----------------	--------------	----------

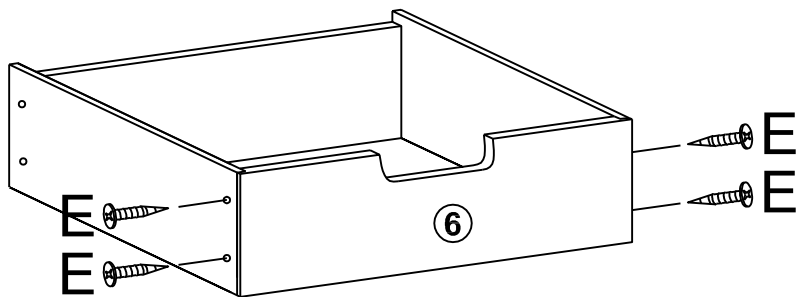
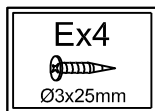


7

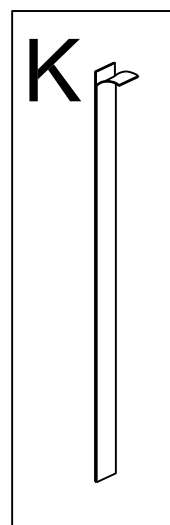
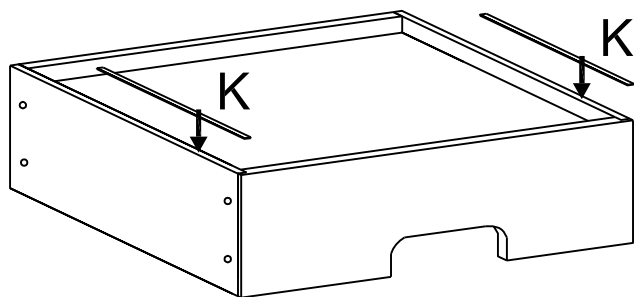
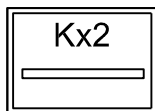
Ex4 Ø3x25mm



8



9



10

