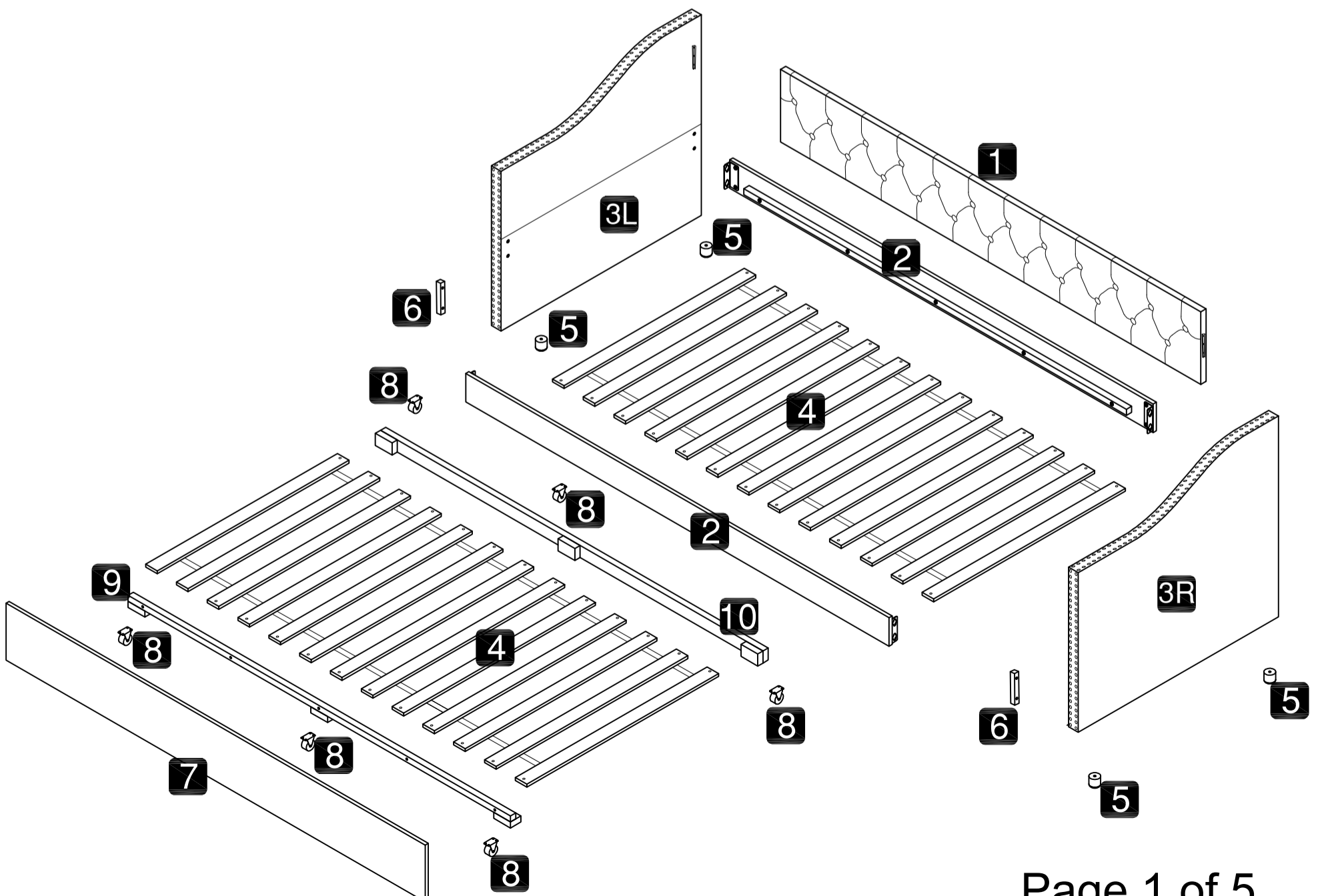
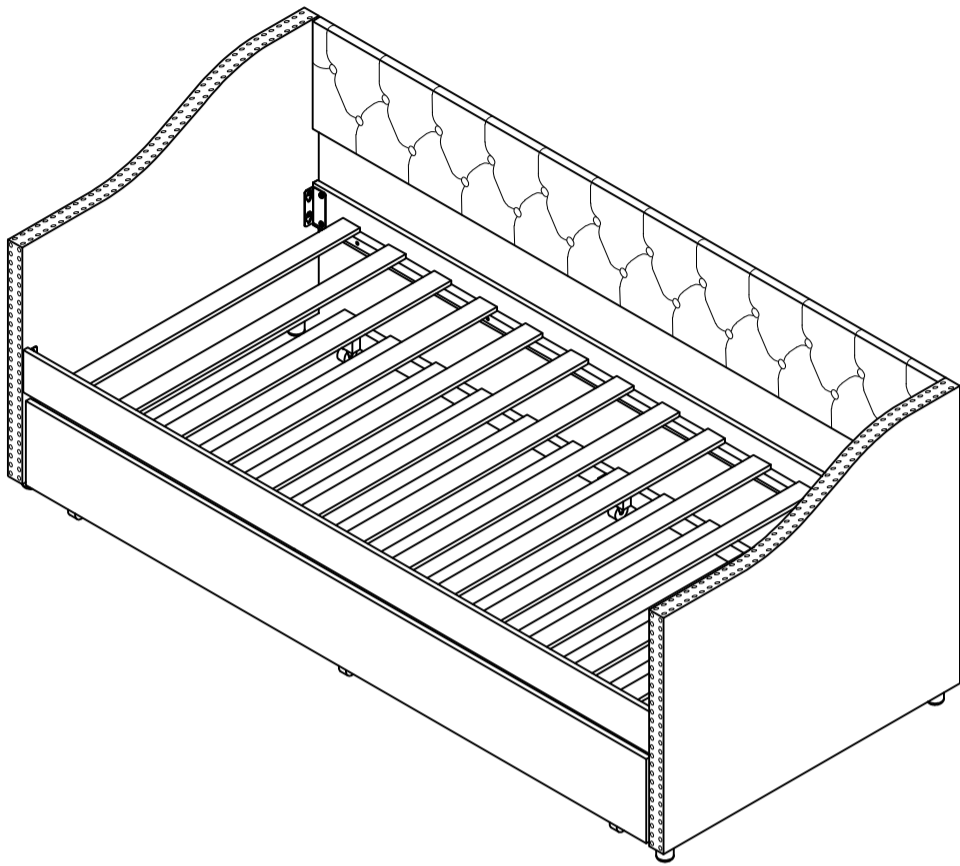


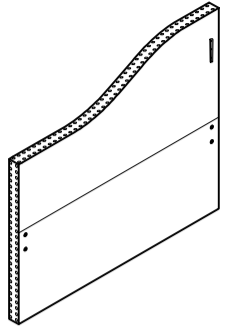
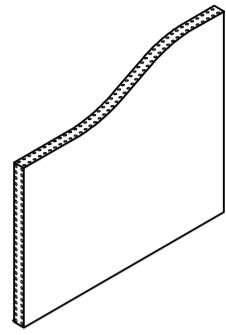
ASSEMBLY INSTRUCTION

TIPS

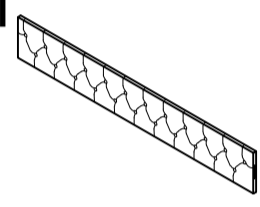

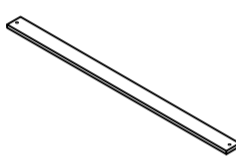
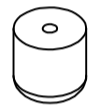
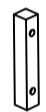
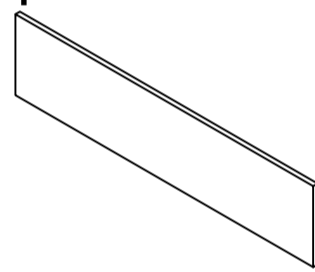

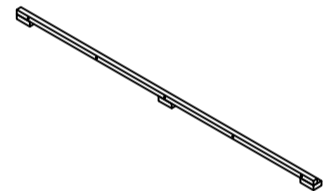
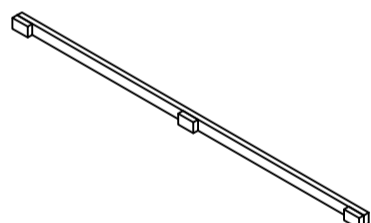
1. Please read the instructions fully before assembly. These instructions include important information which could ensure correct assembly. We have been working on providing high quality products for you. However, in the rare instance that your product is defective, missing parts or there are some issues, please don't hesitate to contact our customer service to submit parts requirements, assembly suggestion, or warranty claims, and we will give the best solution as soon as possible. If necessary, we need you to provide some more clear pictures of the issue.
2. Insert the screws in holes and tighten the screws, but not too tight, 70%~80% is ok, finally tighten all the screws. If some issues happened that some screws can not target to the hole or some parts are difficult to install, please adjust the tightness of the screws.
3. 2 people are recommended to finish



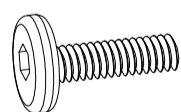



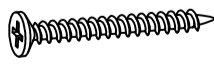
WF297036AAE/AAA

<p>3L × 1</p> 	<p>3R × 1</p> 	
--	---	--

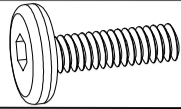


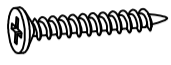

WF297037AAE/AAA

<p>1 × 1</p> 	<p>2 × 2</p> 	<p>4 × 26</p> 	<p>5 × 4</p> 
<p>6 × 2</p> 	<p>7 × 1</p> 	<p>8 × 6</p> 	<p>9 × 1</p> 
<p>10 × 2</p> 			

WF297037AAE/AAA




<p>A × 8</p> 	<p>B × 9</p> 	<p>C × 8</p> 	<p>D × 24</p> 
<p>E × 56</p> 			

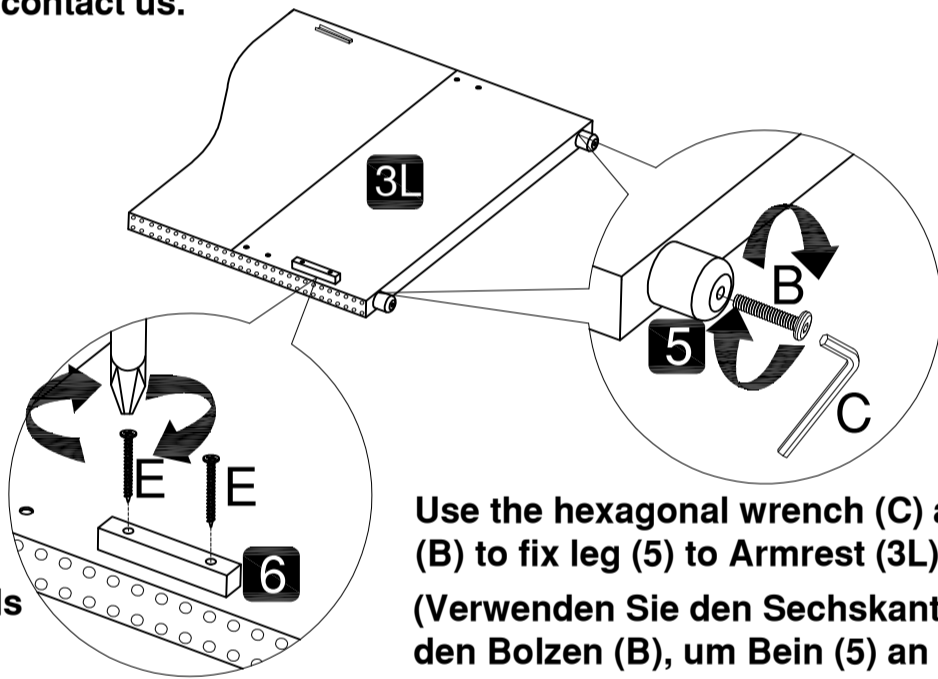
Part List		
NO.	ITEM	QTY
1	Backrest	1
2	Side Rails	2
3	Armrest - 3L (LH) & 3R (RH)	1Pr
4	Slats	26
5	Leg	4
6	Stop Block	1
7	Lower bed face plate	1
8	wheel	6
9	Front positioning strip	1
10	Rear locating strip	1

Hardware List		
NO.	ITEM	QTY
A	Bolts(M8x25mm) 	8
B	Bolts(M6x35mm) 	9
C	Allen Key 	8
D	Screw(4.0x20mm) 	24
E	Screw(4.0x30mm) 	56

Attention: Do not tighten the screws before completing the entire installation. If you have any difficulty with the installation process, please feel free to contact us.

Step 1

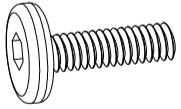

-  ×4
-  ×4
-  ×1

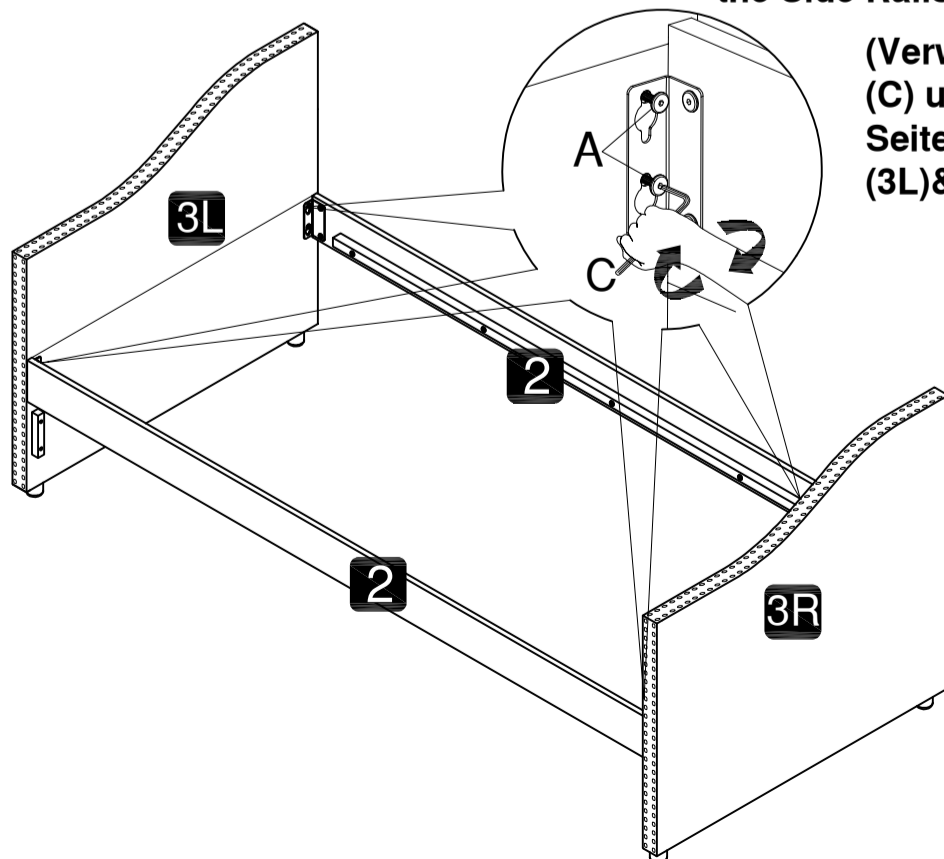


Secure the stop (6) to the handrails (3L) and (3R) with screws (E).
(Befestigen Sie den Anschlag (6) an den Handläufen (3L) und (3R) mit Schrauben (E).)

Use the hexagonal wrench (C) and bolt (B) to fix leg (5) to Armrest (3L)&(3R).
(Verwenden Sie den Sechskantschlüssel (C) und den Bolzen (B), um Bein (5) an Armlehne (3L)&(3R) zu befestigen.)

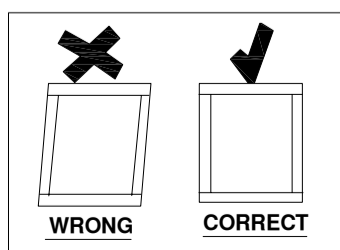
Step 2

-  ×8
-  ×1

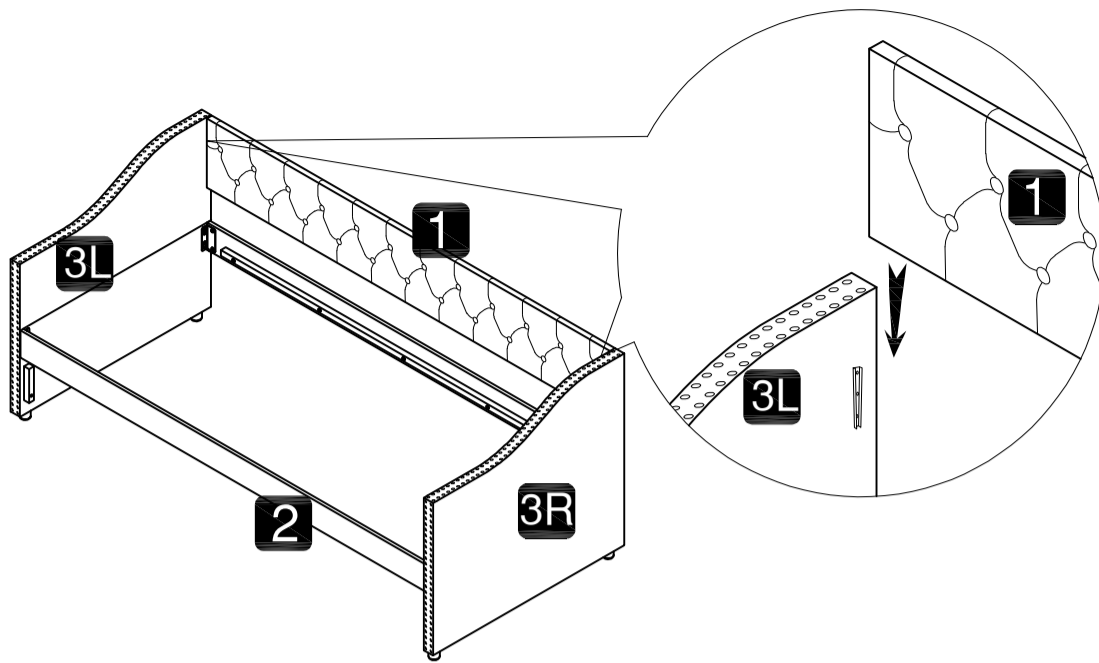


Use the Allen wrench (C) and Bolts (A) to fix the Side Rails to the Armrest (3L)&(3R).

(Verwende den Inbusschlüssel (C) und die Schrauben (A), um die Seitenschienen an der Armlehne (3L)&(3R) zu befestigen.)



Step 3



As shown in the figure, hook the backrest (1) onto the armrest (3L)&(3R).

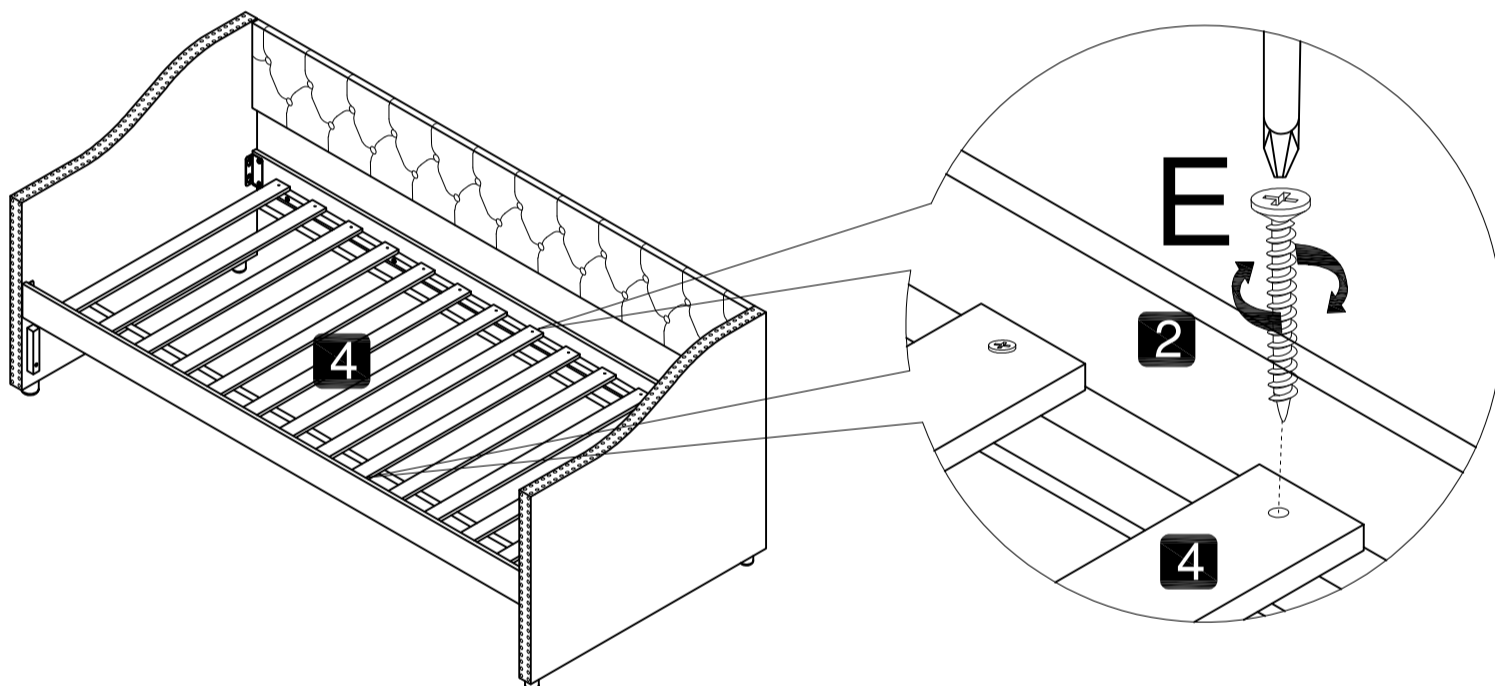
(Wie in der Abbildung gezeigt, haken Sie die Rückenlehne (1) an die Armlehne (3L)&(3R).)

Step 4

Secure Slats (4) to Side Rails (2) with screws (E).

(Sichern Sie Lamellen (4) auf Seitenschienen (2) mit Schrauben (E).)

E  x26



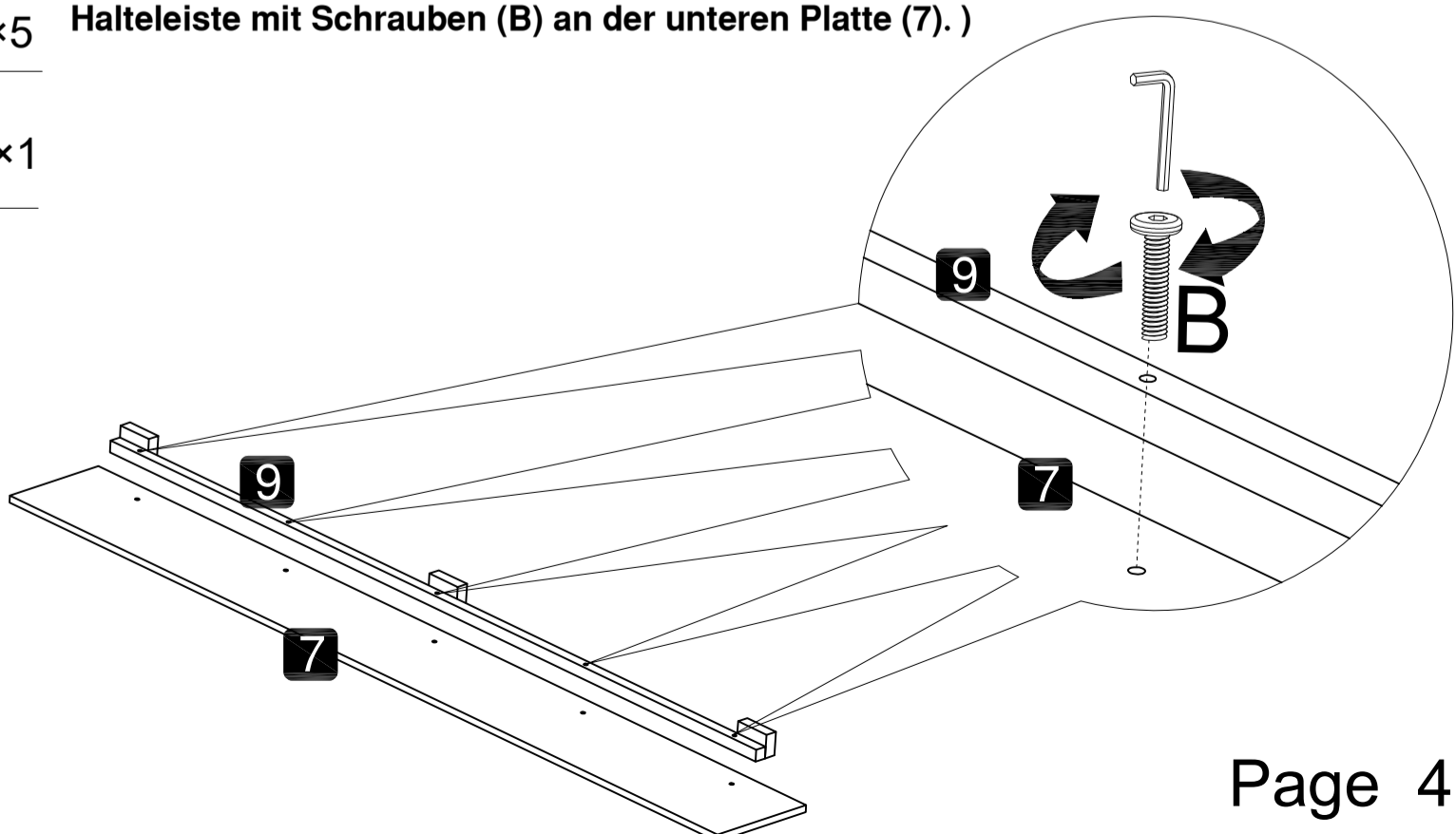
Step 5

Use the hexagonal wrench (C) to fix the front locating strip to the lower panel (7) with bolts (B).

(Mit dem Sechskantschlüssel (C) befestigen Sie die vordere Halteleiste mit Schrauben (B) an der unteren Platte (7).)

B  x5

C  x1

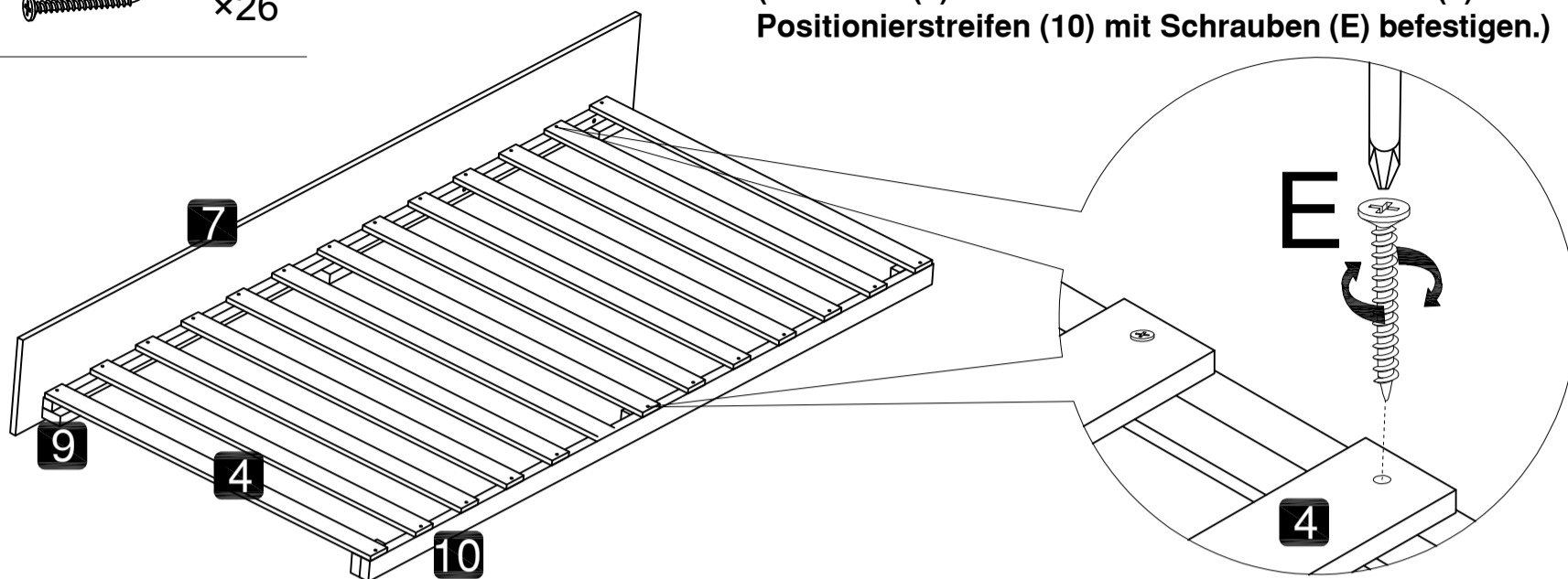


Step 6

E  ×26

Fix Slats (4) to Front positioning strip (9) & Rear positioning strip (10) with screws (E).

(Lamellen (4) am vorderen Positionierstreifen (9) & hinteren Positionierstreifen (10) mit Schrauben (E) befestigen.)

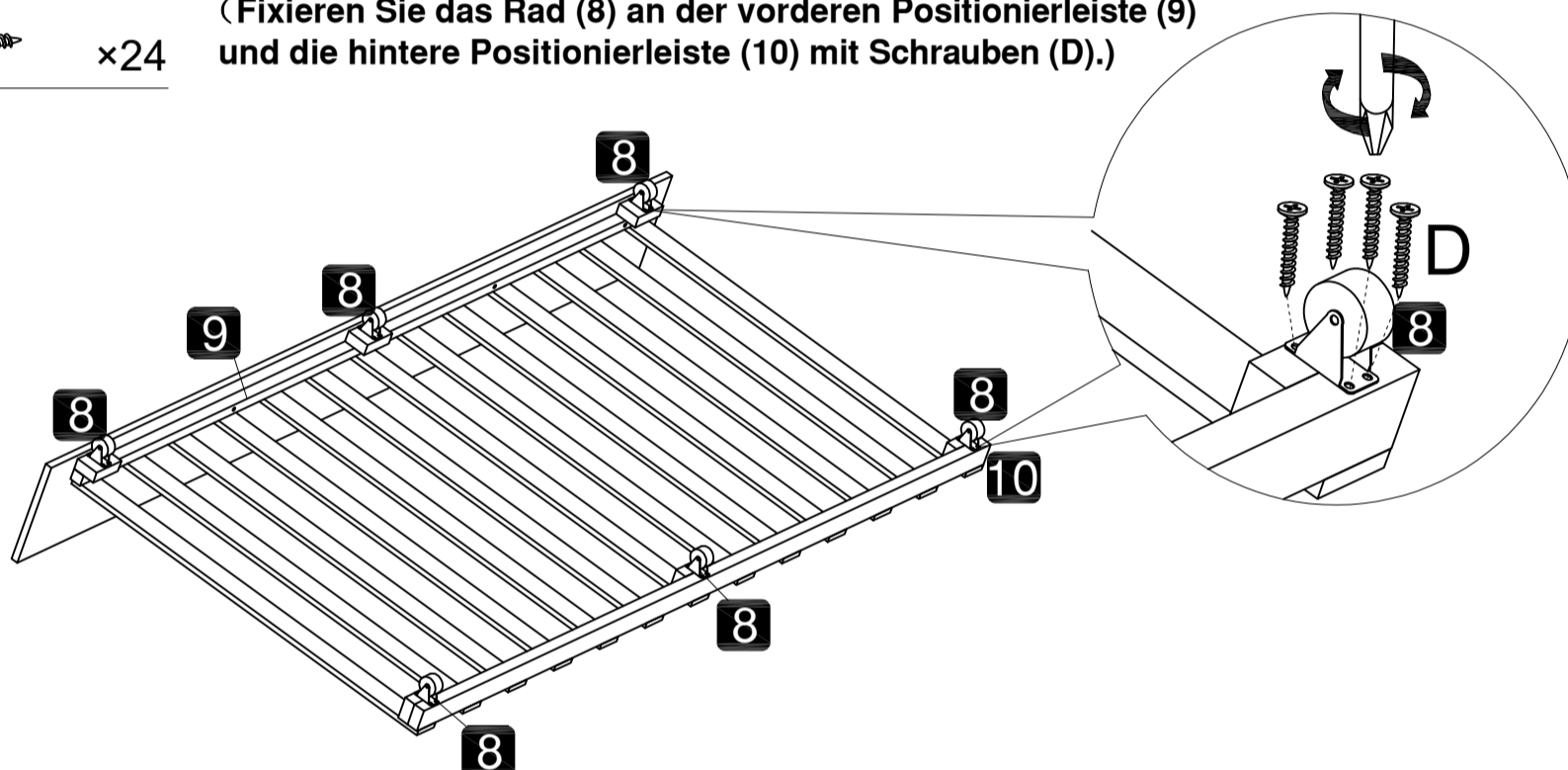


Step 7

D  ×24

Fix the wheel (8) to the front positioning strip (9) and the rear positioning strip (10) with screws (D).

(Fixieren Sie das Rad (8) an der vorderen Positionierleiste (9) und die hintere Positionierleiste (10) mit Schrauben (D).)



Step 8

