



CHAL-TEC GmbH

Wallstraße 16,  
10179 Berlin, Germany  
WEEE-Nr.: DE 46906833

For Great Britain: Importer:  
Chal-Tec UK limited

Unit 6 Riverside business Centre,  
Brighton Road,  
Shoreham-by-Sea,  
BN43 6RE, United Kingdom

Item-Nr.: 10032779

Description: Refrigerator

### Specifications:

Net Volume: 30L

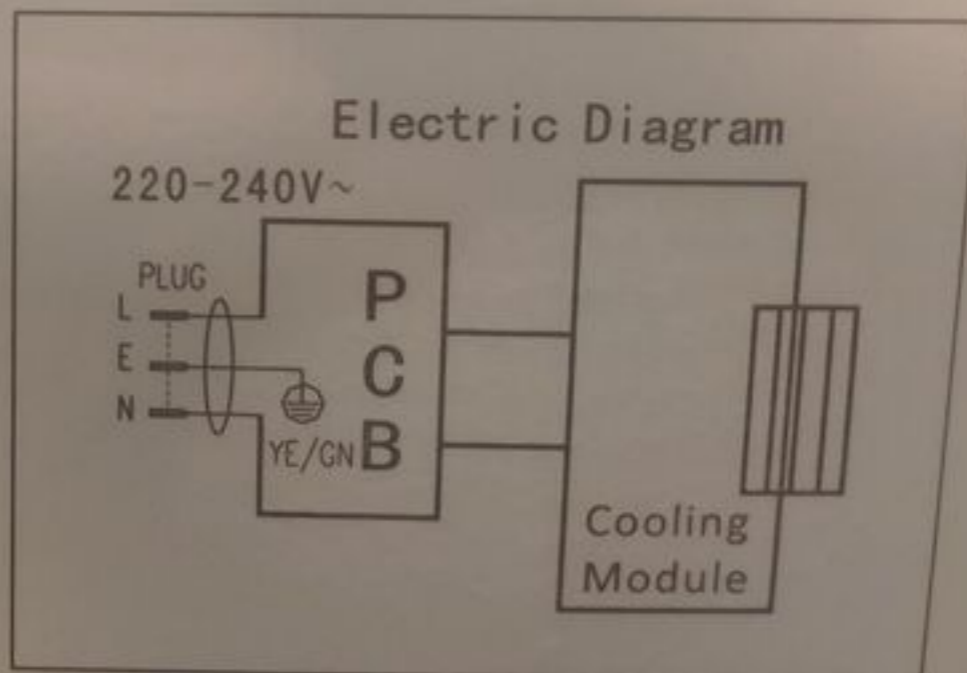
Climate class: N

Voltage: 220-240V~ 50Hz

Rated power: 58W

Coolant: R600a/25g

Foaming gas: cyclopentane



10032779