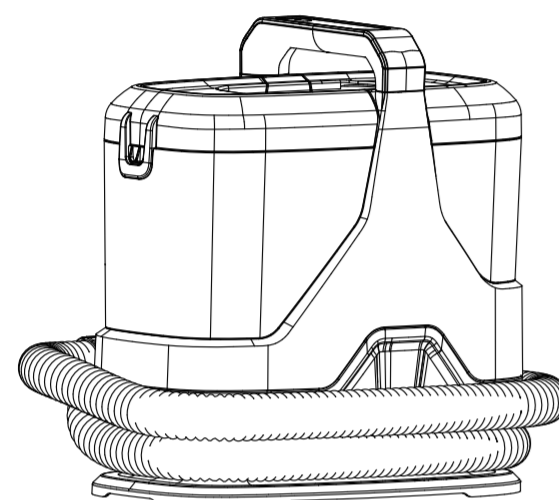


**RYER
Spot Cleaner**

Operation Manual



Attentions

- This appliance is intended for domestic household use only and should not be used for any other purpose or in any other application, such as for non-domestic use or in a commercial environment.
- If the supply cord is damaged, it must be replaced by the manufacturer, its service agent or similarly qualified persons in order to avoid a hazard.
- This appliance can be used by persons with reduced physical, sensory or mental capabilities or lack of experience and knowledge if they have been given supervision or instruction concerning use of the appliance in a safe way and understand the hazards involved.
- Children shall not play with the appliance.
- The plug must be removed from the socket outlet before cleaning or maintaining the appliance.
- Regarding the detailed instructions for the method and frequency of cleaning and the precautions during user maintenance, refer to the section "CLEANING AND MAINTENANCE".
- Following objects are strictly banned, otherwise the vacuum cleaner will be damaged or fire calamity will be caused, which bring such accidents as human body injuries:
 - Don't pick up large or sharp broken objects such as glasses.
 - Don't pick up harming or erodent liquids (solvent, corrosive, detergent...).
 - Don't pick up inflammable or explosive substance such as gasoline or alcohol.
 - Don't pick up/ vacuum burning or glowing objects (cigarettes, matches, hot ashes).

2

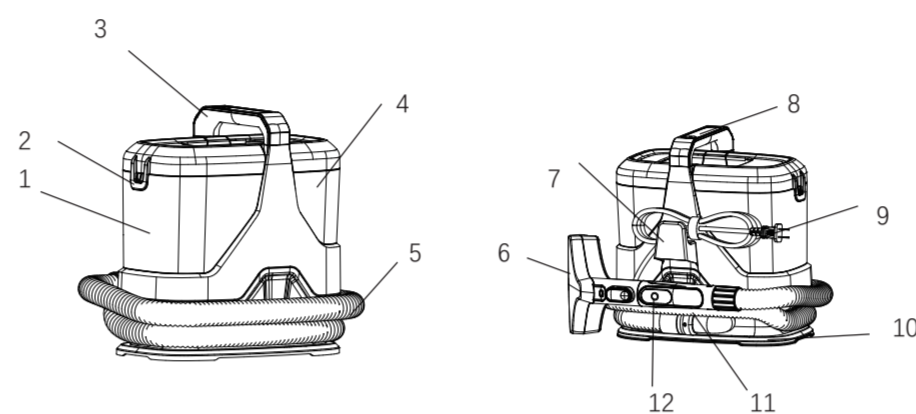
Attentions

- The liquid or steam must not be directed towards equipment containing electrical components, such as the interior of ovens.
- The filling aperture must not be opened during use.
- The appliance has to be unplugged after use and before carrying out user maintenance on the appliance.
- The plug must be removed from the socket-outlet before cleaning or maintaining the appliance.
- The appliance shall not be left unattended while it is connected to the supply mains.
- The appliance is not to be used if it has been dropped, if there are visible signs of damage or if it is leaking.
- Keep the appliance out of reach of children when it is energized or cooling down.
- Do not leave the appliance unattended when it is switched on.
- Do not use the appliance for any purpose other than those described in this instruction manual.
- Always disconnect the appliance from the power supply if it is left unattended and before assembling, disassembling or cleaning.
- Do not unplug by pulling on cord. To unplug, grasp the plug, not the cord.
- Use only original accessories recommended by the
- Do not use outdoors.
- Children should be supervised to ensure that they do not play with the appliance.
- Do not use with any opening blocked; keep free of dust, lint, hair, and anything that may reduce air flow.
- Do not use the appliance to pick up the following items :
 - Dry dust – Lots of rubbish
 - Big plastic bags – Large quantities of powder
 - Metal such as needles, pins, etc. – Large quantities of sands and pebbles

3

Parts Name

Body



- | | |
|----------------------|--------------------|
| 1. Wastewater tank | 7. Power cord hook |
| 2. Looker | 8. Switch |
| 3. Handle | 9. Power cord |
| 4. Clean water tank | 10. Chassis |
| 5. Hose | 11. Hose handle |
| 6. Tough stain brush | 12. Spray button |

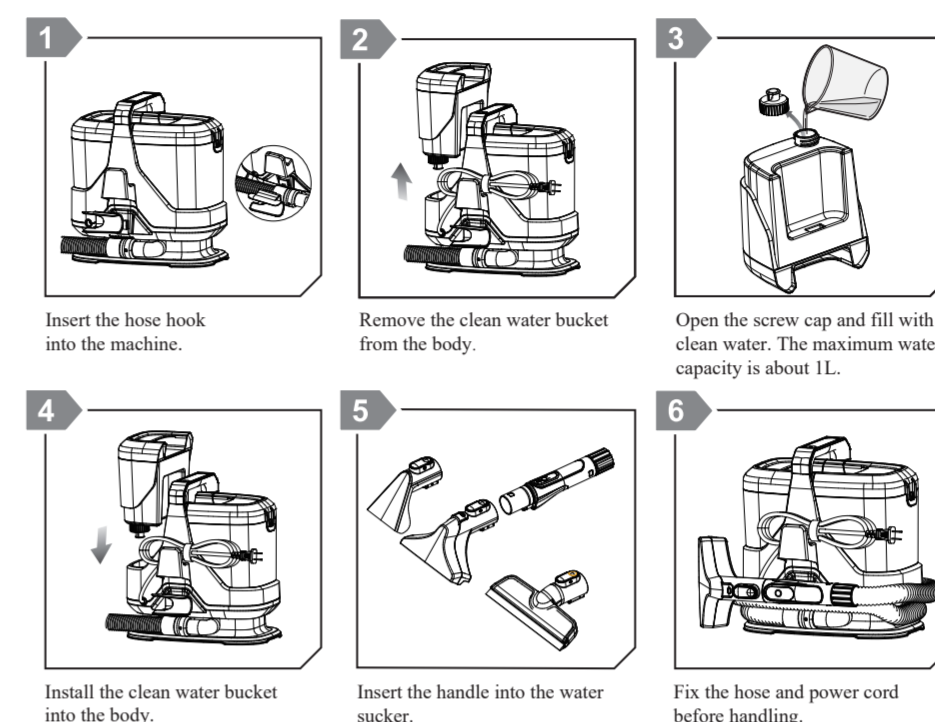
Accessories:



Upholstery nozzle Tough stain brush Wastewater tank brush

4

Preparation

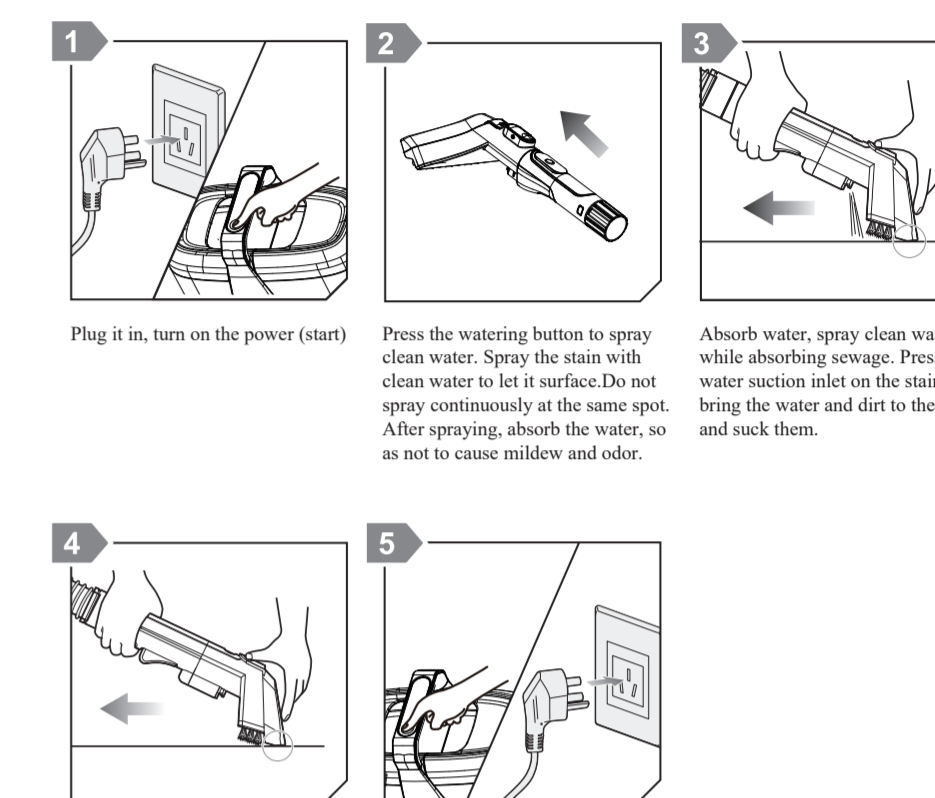


Attention:

Please tighten the screw cap after filling with the clean water.
Please pour away the remain water after using.
Do not shake the clean water tank when install it on the machine.

5

Instructions

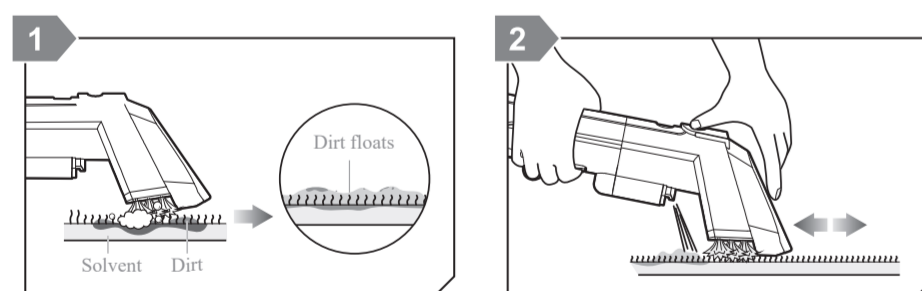


Stop spraying, and absorb the sewage. After using the cloth on which water is easily retained, please blow dry or air dry.

Turn off the power (stop), unplug it. Pour away clean water and sewage, and clean the sewage bucket

6

For stubborn dirt



Apply the cleaning solvent to the carpet and rub the dirt with a brush to lift it up. For the amount and usage of the cleaning solvent, please read the manual carefully and use it correctly.

Recommended Detergent	Not appropriate
<ul style="list-style-type: none"> • Strong alkaline ionized water • Baking soda • Citric acid • Hypochlorous acid • Weak acid electrolytic water Such as detergent producing less foam 	<ul style="list-style-type: none"> • Neutral detergent for kitchen use • Strongly alkaline detergent • Strongly acidic detergent <p>When using a detergent with a lot of foam, the foam might get inside the cleaner.</p>

Remark

Do confirm that wash solvent does not cause damage to carpet before use. When using detergent, first test it on the edge of the fabric being cleaned to make sure that there is no discoloration.

Do not use diluent, aniline, chloroform, and flammable solvents.

Do not spray any liquids such as insecticides, hair care products, or lubricating oil.

Do not use the product to vacuum flammable or combustible substances. (such as kerosene, gasoline, thinner, copy product toner, etc.)

Do not use the product to vacuum oil, smoke or steam.

Do not use the product to vacuum dry dust.

Do not operate this unit near combustible substances such as lit cigarettes or incense sticks, doing so may increase the risk of fire.

Only water (clean tap or recommended Detergent) that is 40°C or cooler should be put into the clean water tank.

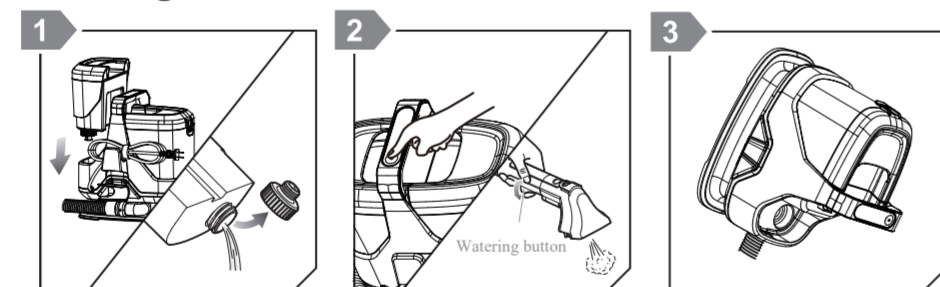
Attention

- Do not put the cleaning solvent in the clean water bucket, make sure the solvent is not harmful to the carpet before use.
- Do not use diluents, aniline, chloroform and flammable solvents.
- For the amount and usage of the cleaning solvent, please read the manual carefully and use it correctly.

7

Cleaning and Maintenance

Cleaning of bucket

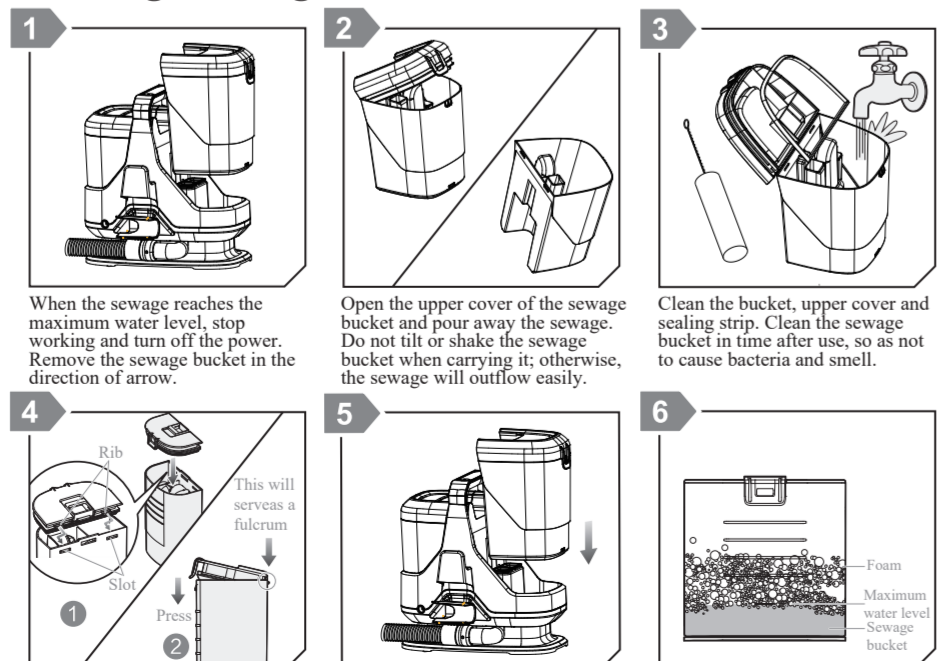


Take out the clean water bucket in the direction of arrow, unscrew the screw cap and pour away the remaining water.

Install the empty bucket and then turn on the power again, press the watering button to remove the remaining water from the machine.

Tilt the machine and pour away the remaining water at the bottom.

Cleaning of sewage



When the sewage reaches the maximum water level, stop working and turn off the power. Remove the sewage bucket in the direction of arrow.

Open the upper cover of the sewage bucket and pour away the sewage. Do not tilt or shake the sewage bucket when carrying it; otherwise, the sewage will outflow easily.

Clean the bucket, upper cover and sealing strip. Clean the sewage bucket in time after use, so as not to cause bacteria and smell.

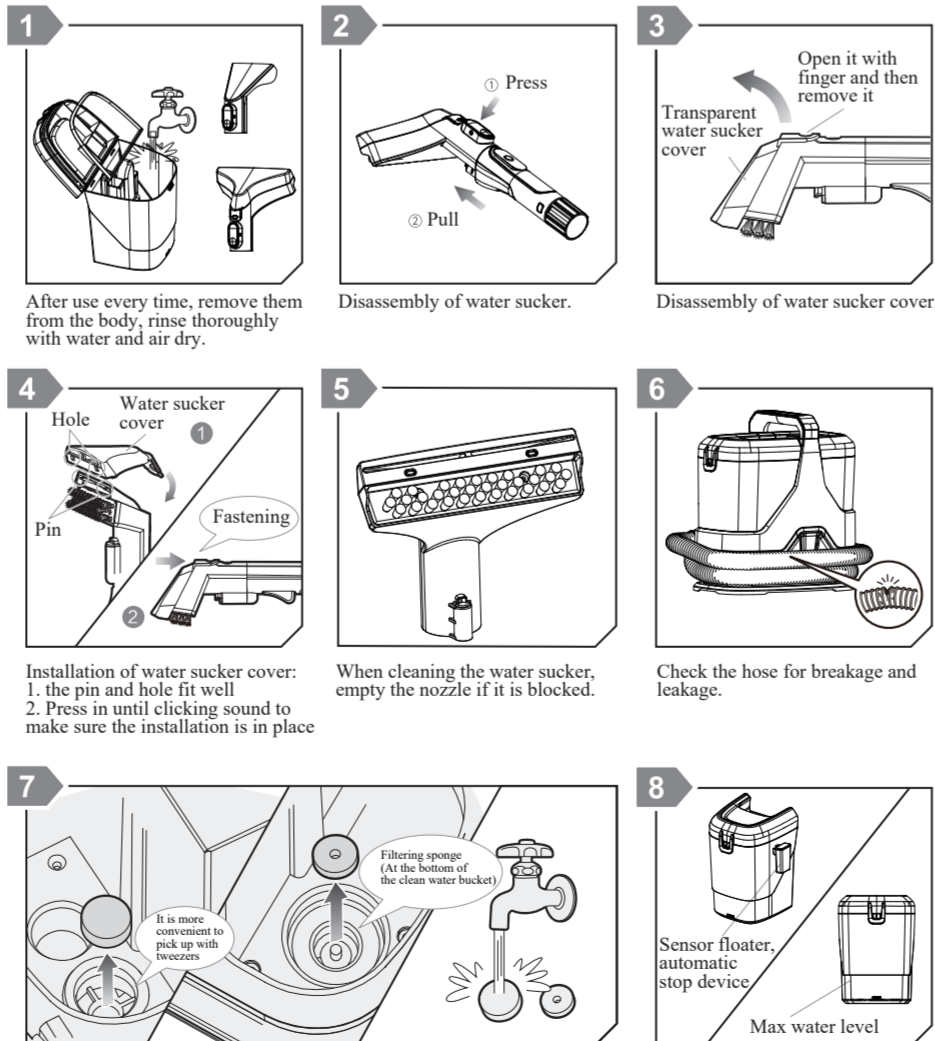
Install the sealing ring, cover and fasten the sewage bucket.

Buckle the sewage bucket into the body. Lock the sewage bucket, do not shake; otherwise, it is easy to leak and affect the cleaning.

When the water exceeds the maximum water level, the machine will automatic stop and the red LED will flash for reminding to clean tank, please stop using, pour away the wastewater and restart the machine.

8

Cleaning and Maintenance



After use every time, remove them from the body, rinse thoroughly with water and air dry.

Disassembly of water sucker.

Disassembly of water sucker cover.

Open it with finger and then remove it

Transparent water sucker cover

Installation of water sucker cover: 1. the pin and hole fit well 2. Press in until clicking sound to make sure the installation is in place

When cleaning the water sucker, empty the nozzle if it is blocked.

Check the hose for breakage and leakage.

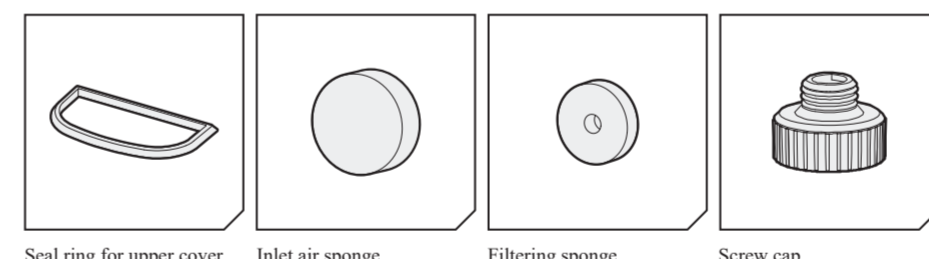
Rinse the inlet air sponge and filtering sponge after use, and replace them if they are damaged.

Pour away the sewage before it exceeds the maximum water level. If the machine continues to be used after the sewage exceeds the maximum water level, the floating ball will work and the suction will stop. When the water flows into the machine, turn off the machine and clear away the water inside the machine, pipe and bucket.

9

Consumables, Fault and Handling

The consumables can be removed and replaced when damaged or lost. Be sure to install and use



Seal ring for upper cover Inlet air sponge Filtering sponge Screw cap

In the event of exceptions in use, read this manual carefully and confirm the following points before repair.

Status	Fault cause analysis	Handling
The machine does not work after the switch is turned on	<ul style="list-style-type: none"> • The plug is not properly connected and loose, resulting in poor contact. • The internal line or power cord is broken. • The machine set overheat and the protective device operates 	Turn off the power and plug it again. Call the repair telephone. Refer to the instructions for protective device.
When the watering button is pressed, there is no water or little water	<ul style="list-style-type: none"> • The nozzle is blocked. • The handle or pump is damaged. 	Remove the water sucker and rinse the nozzle with clean water. Call the repair telephone.
There is no dust collection or the suction is very weak	<ul style="list-style-type: none"> • The power switch is not turned on. • The sewage bucket is full, causing the floating ball to work. • The hose is abnormal. • The sewage bucket is not installed in place. • The inlet air sponge is blocked 	Turn on the power switch. Clean up the sewage and use it again. Check the hose for cracks, breaks and clogs. Install the sewage bucket properly. Clean or replace the sponge.

10