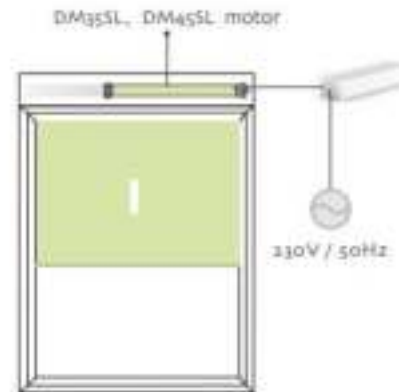


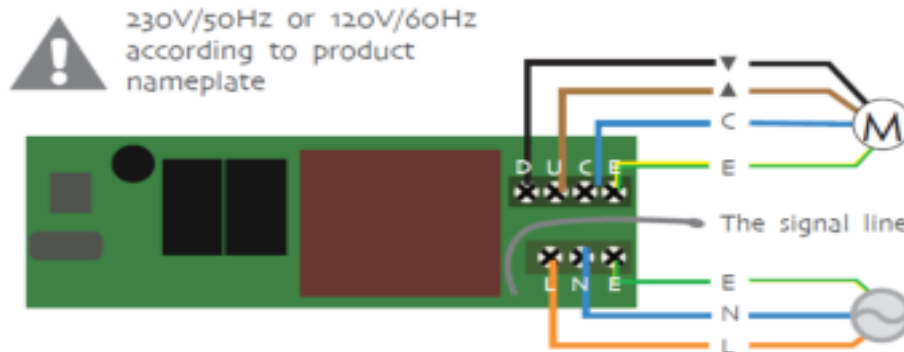
set of 2 wireless Remotes and 1 Receiver



DC50 / DD50H
Receiver



- One receiver per motor
- For motor up to 120N.m
- Work with all Dooya emitters
- Pair and store up to 20 emitters
- Input Voltage: 230V
- Output Voltage: 230V
- Power Output: 500W
- Radio frequency: 433.92MHz
(Bi-directional compatible: DD50H)
- Working Temperature: -10°C - +55°C
- Dimension: 100mm x 27mm x 40.5mm



Black = Down
 Brown = Up
 Blue = Common
 Green/Yellow = Earth
 Blue = Neutral
 Green/Yellow = Earth
 Brown = Live