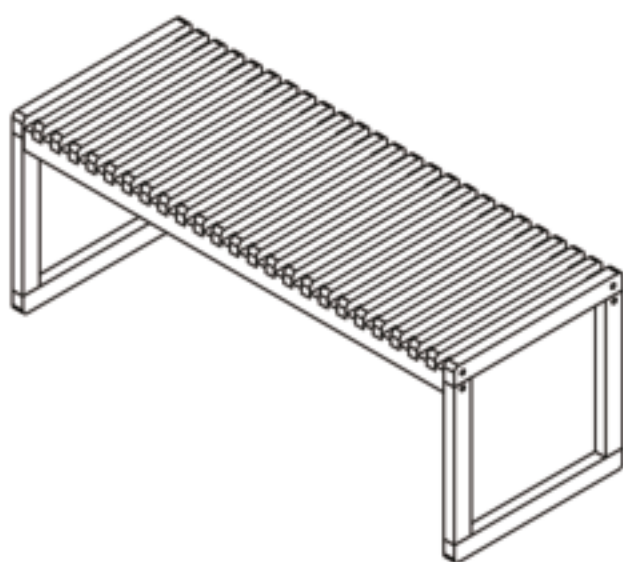
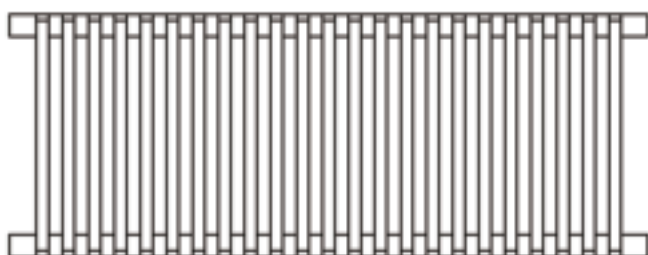


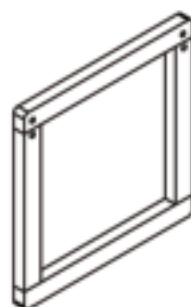
ASSEMBLY INSTRUCTION



①X1



②X2



ⒶX4



ⒷX4



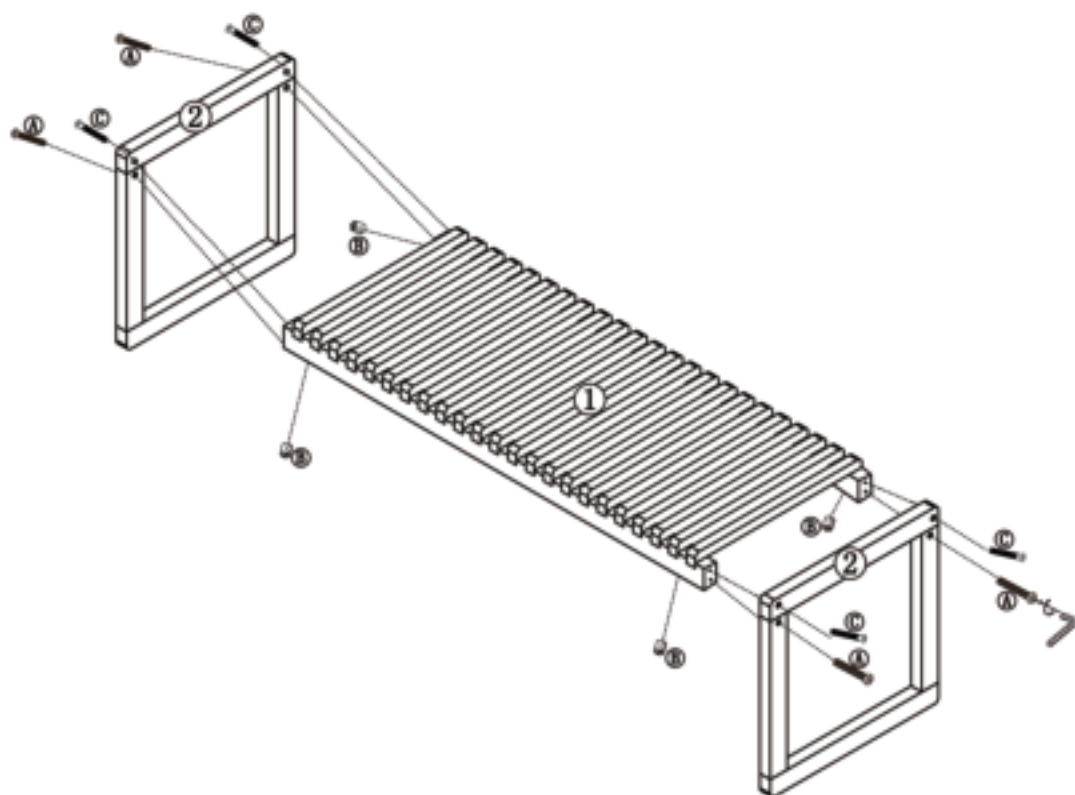
ⒸX4



ⒹX1



1



NOTE: 1. Maximum weight load; 100 kg.

2. Maximum belastning; 100 kg.