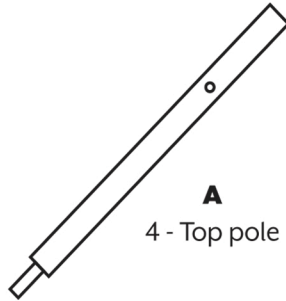


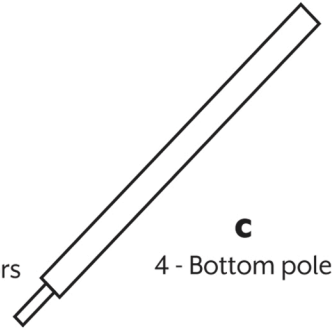
Contents



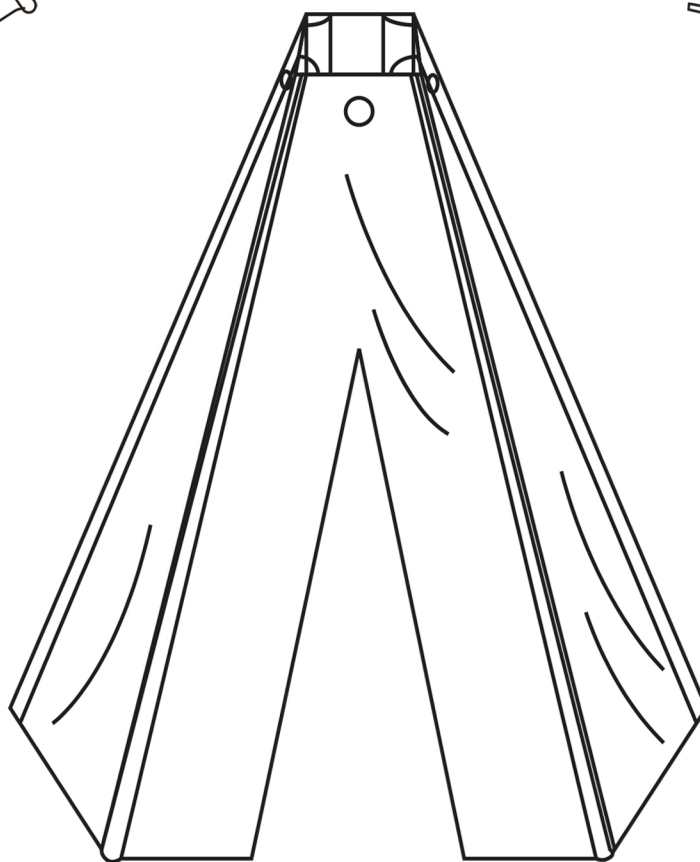
A
4 - Top pole



B
4 - Plastic connectors



C
4 - Bottom pole



D
1 - Teepee Fabric



E
1 - Stringing cord



Toy not intended for children under 36 months
WARNING! Keep away from fire.



No apto para niños menores de 36 meses
ATENCIÓN! Mantener alejado del fuego



Spielzeug nicht für Kinder unter 36 Monaten bestimmt
WARNUNG! von Feuer fernhalten



Giocattolo non adatto ai bambini di età inferiore a 36 mesi
ATTENZIONE! tenere lontano dal fuoco



Jouets non destinés à l'usage d'enfants de moins de 36 mois
AVERTISSEMENT! éloigner du feu



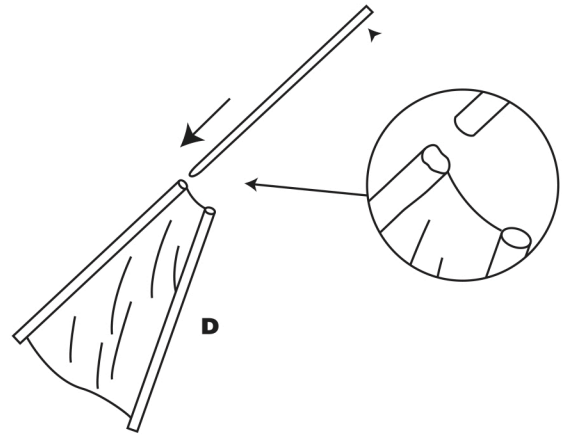
Speelgoed niet geschikt voor kinderen jonger dan 36 maanden
WAARSCHUWING! uit de buurt van vuur houden

Step 1



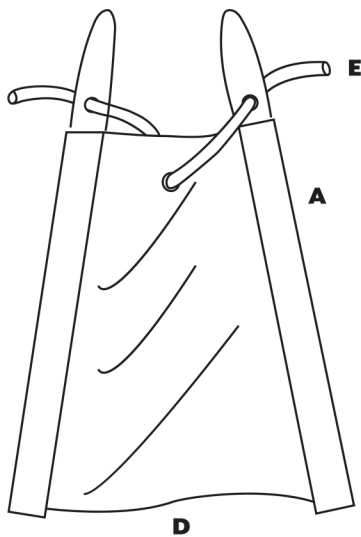
Insert the Top (A) and Bottom poles (C) into the Plastic Connectors (B).

Step 2



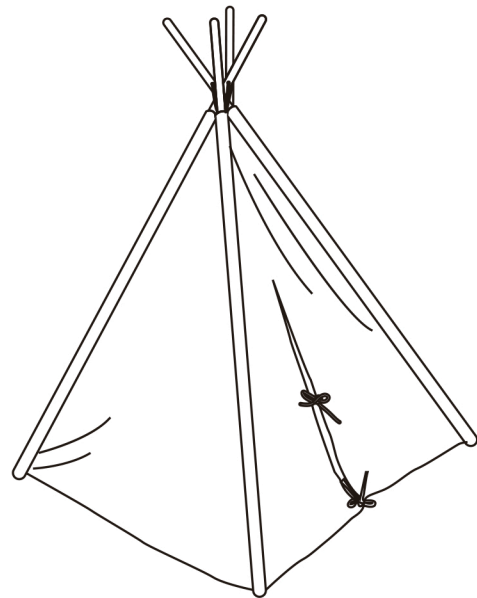
Insert the assembled poles into the channels on the corners of the Teepee fabric (D), making sure that the holes in the top of the poles are at the top of the teepee.

Step 3



Lace the Stringing cord (E) alternately through the holes in the Top poles (A) and the eyelet in the teepee fabric (D) top. Tie the Stringing cord (E) together to secure poles.

Step 4



Spread the assembled teepee bottom corners out to the fullest extent. Your teepee assembly is now complete.