



7 in 2 TB Pro Multiport Hub
Model #: LQ48012

Product Manual

Package Contents
USB-C Pro Multiport Hub x1,
User Manual x1

www.LINQbyELEMENTS.dk

Thank you for purchasing our
7in2 **TB Pro Multiport Hub**.

Please read this user manual
carefully and keep it in a safe place
for future reference. If you need
any assistance, please contact our
support team with your product
model number and order number of
relevant sales channel.

Product Specifications



HDMI Output Port

Up to 4k UHD (3840 x 2160@
60Hz), supports 1440p / 1080p /
720p / 480p / 360p



USB-A Super Speed+

Super Speed USB-A 3.2 Gen 2,
Max data transfer speed 5Gbps
Power Supply up to 4.5W Max.



USB-C PD Port

Charging up to 100W of Power
Delivery 3.0 (Only for laptop
charging)



USB-C TB Pass-through

Thunderbolt™ 3.0 Pass-through,
Support Max 40Gbps, Max 100W



SD & TF Card Slot

Supported memory card capacity
up to 512GB.



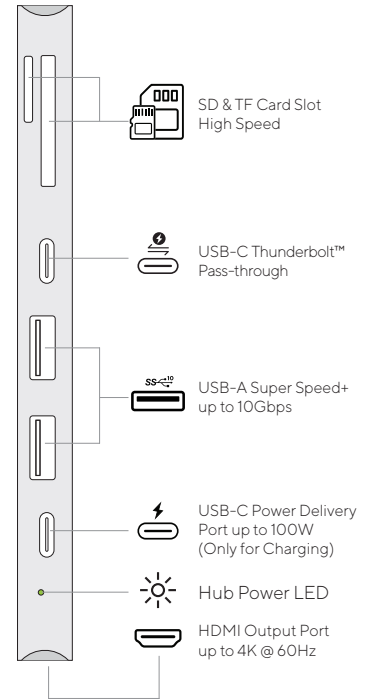
Dual USB-C Connector

Compatible with Thunderbolt 3,
Dedicated design for use with dual
USB TypeC port Macbook.

System Requirements:
MacOSX v10.0 or above operating
systems

Plug and play:
Yes

Overview





Notes

1. Only one hub is included, power adapters, SD/TF memory cards, cables or other accessories are not included.
2. The 100W charging speed can only be acquired when used with a 100W rated USB-C PD cable.
3. The USB Data Ports of this product supports Max. 5V 900mAh total charging output.
4. For more stable connection when using high-power devices, connect a PD Power Adaptor to the USB-C female PD port.
5. The USB-C PD port of this product is only for charging USB-C laptops whose USB-C Port supports USB Power Delivery (PD). The PD USB-C port of this product does not support data transfer.
6. The USB-C Thunderbolt™ 3.0 Pass-through and supports both data & Power Delivery.
7. A 4K capable display and a 4K capable HDMI cable are required to achieve 3840 x 2160 resolution.
8. HDMI 1.4 cables only support 30Hz, HDMI 2.0 cables support 4K up to 60Hz.
9. 4K 60Hz Compatibility requires a DP 1.4 compatible type-C port on your device.

How to Use

Plug the USB-C connector of the Hub into the USB-C port on your USB-C laptop.

1. USB-C Power Delivery: Charge your laptop by plugging the USB-C Charger to the Multiport Hub USB-C Female Power Delivery (PD) port.
2. HDMI Output: Connect to your UHDTV or projector with an HDMI 2.0 cable via the HDMI output port and watch videos from your USB-C laptop on your TV or other HDMI-enabled devices.
3. USB-C Thunderbolt™ Pass-through: Offers a connection with genuine maximum speed and versatility. Transferring data at speeds of up to 40Gbps that also supports power up to 100W and can support 2x 4K Monitors @ 60Hz or even 1x 6K Monitor @ 60Hz!
4. USB-A Super Speed+: Connect your smart phone, tablet, mouse, keyboard, hard drive or other USB peripherals via the USB-A 3.2 ports and transfer data between your computer and connected device.
5. SD/TF Card Reader: Insert your memory card into the SD/TF Card Slot to directly access files stored in the SD/TF card on your USB-C laptop. SD/TF memory cards can be used on the hub simultaneously.



Troubleshooting

if you experience any issues or have any question regarding the hub, please visit the support and FAQ page on our website for most up to date information.

LINQ | Support
<https://linqbyelements.dk/support.html>

Compatibilities

Details regarding compatibility of devices can be found on our website or consult your devices manual.

visit:
www.LINQbyELEMENTS.dk