

# INSTRUCTION MANUAL



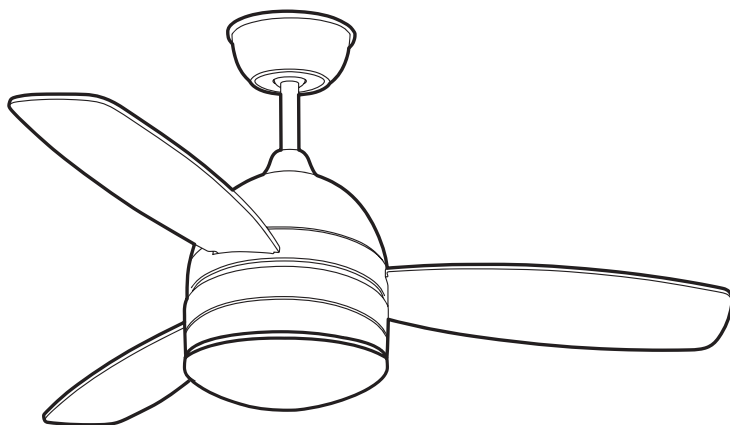
Rotar Fan Brass 102468

Rotar Fan Nickel 102469

Rotar Fan Bronze 102470

Rotar Fan White 102978

Rotar Fan Black 102979



*Enjoy the natural wind*

Please keep this manual.

Be sure to read the instructions for use of this product, install and use this product in accordance with the requirements thereof.

**FittinQ B.V.**

Smaragdweg 52, 5527 LB Hapert, The Netherlands  
www.qazqa.nl

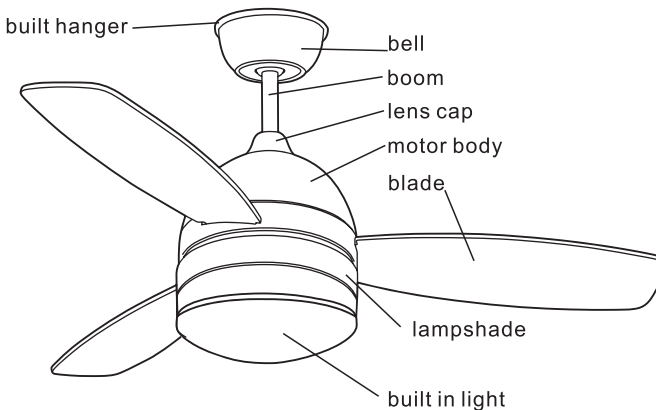
QAZQA

## Safety Precautions

Before using the product, please carefully read this manual, and in strict accordance with the program instructions.

- 1, the product is suitable for AC220V 50HZ special.
- 2, ceiling fan must be connected in compliance with the safety requirements according to national standard power lines. If you lack of electrical knowledge, be sure to ask a licensed professional electrician to install.
- 3, before the ceiling fan installation, removal, be sure to turn off the power, when you install a ceiling fan, each part must be determined lock screws securely.
- 4, ceiling fan must be installed on a solid ceiling, ceiling fan installation position must be able to withstand more than 30KG or more gravity.
- 5, the blade with the roof plane distance not less than 20cm (less than 20cm fans will no wind).
- 6, you must install a contact than 3mm all-pole disconnection switch in the power supply side of the fan (user supplied)
- 7, the installation must be grounded wire, wire positive, negative line order of installation, disassembly must be negative line, the positive wire, grounding wire to disassembly of electrical shock.
8. To avoid personal injury, fan blades should be installed off the floor at least 2.3 m. Do not bend during installation and cleaning blades and leaf frame, the blades maintain balance, keep clean the ceiling fan. Keep foreign objects between rotating blades.
- 9, in order to avoid electric shock or fire accident, prohibited the use of non-provision of the ceiling fan wall switch or remote control.
- 10, to change the direction of the ceiling fan running, turn off the power switch and then adjust the reversing fan to be stopped.
- 11, is strictly prohibited other brands ceiling fan parts and the company's products with the use of essential spare parts and screws installed or modified, or there will be a safety risk.
- 12, when installing multiple ceiling fans, do not replace the use of spare parts, to avoid fan imbalance.
- 13, When selecting bulbs, please note that the maximum single lamp power should not exceed 60W.
- 14, if the electric elements damaged, it must provide the appropriate parts from the manufacturer or Service, and please replace qualified professionals, to avoid a hazard.
- 15, different styles, different structure, installation method slightly different, please refer to the instructions prevail, if in doubt, please consult the factory.
- 16, the appliance is not to be used by persons (including children) with reduced physical, sensory or mental capabilities, or lack of experience and knowledge, unless they have been given supervision or instruction
- 17, children being supervised not to play with the appliance
- 18, **WARNING:** If unusual oscillating movement is observed, immediately stop using the ceiling fan and contact the manufacturer, its service agent or suitably qualified persons.
- 19, the replacement of parts of the safety suspension system device shall be performed by the manufacturer, its service agent or suitably qualified persons
- 20, If the manual is lost, You can go to the seller's office to check the DVD electronic manual or the seller's official website

## Product Parts List

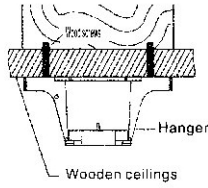
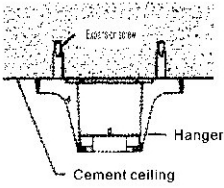


## installation steps

### 1, the installation hanger

Wood ceiling: the wooden hanger screw directly on the lock to a thickness greater than 7 cm square wooden beams.

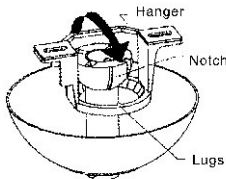
Cement Ceiling:  $\Phi$  8 drill hole with 4 cm deep, with expansion screws hanger lock on it.



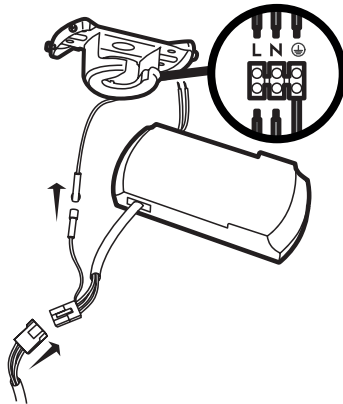
### note

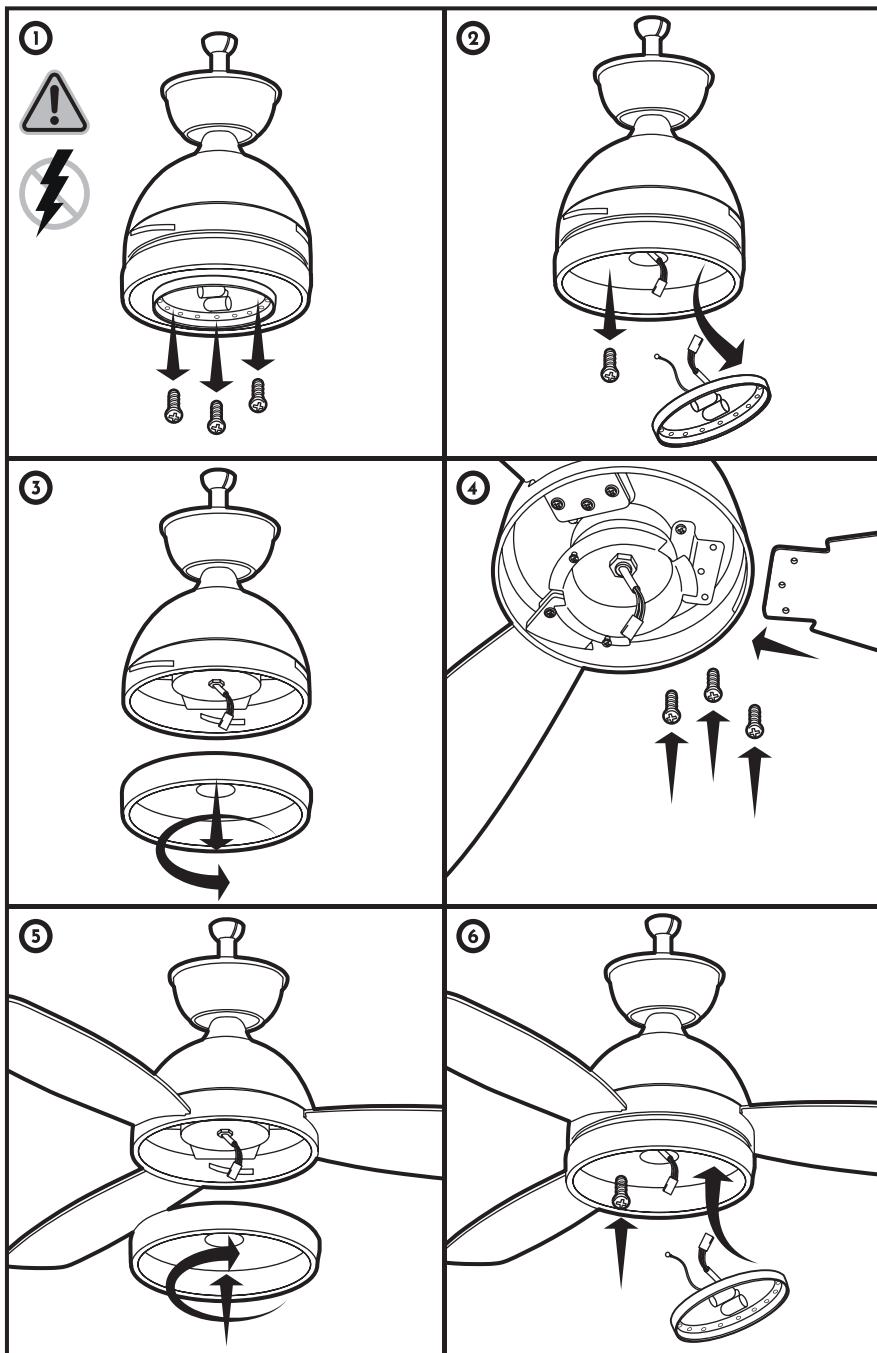
After the hanger fixed, it must be determined to withstand more than 30 kilograms of tension!

### 6, a ceiling fan hung on hangers to ensure lobe groove and hanger lug match.

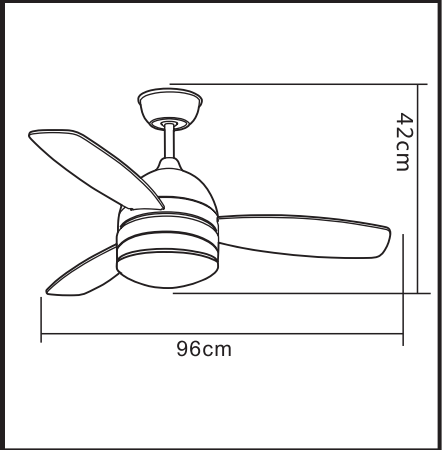
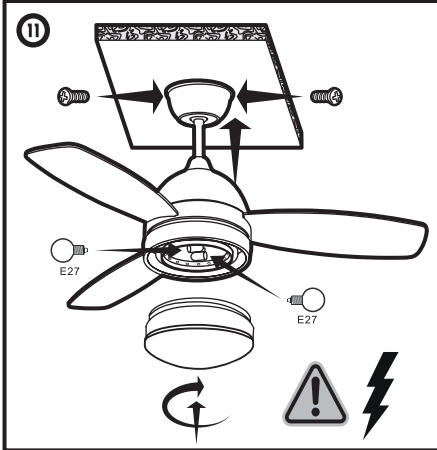
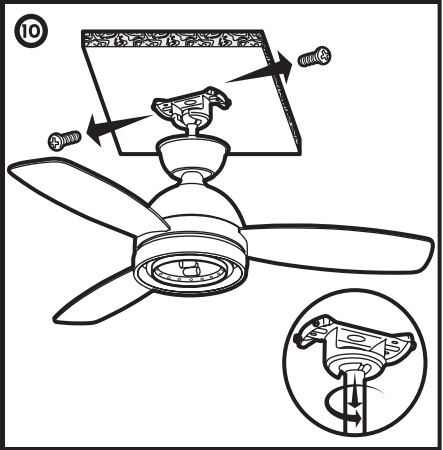
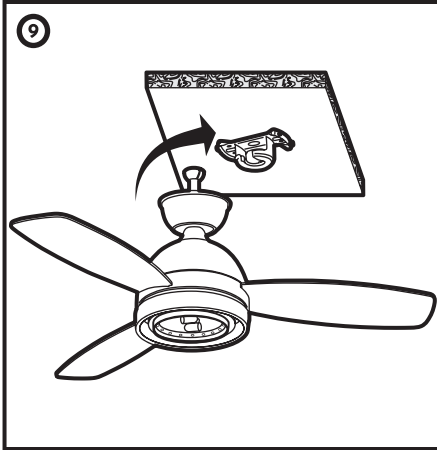
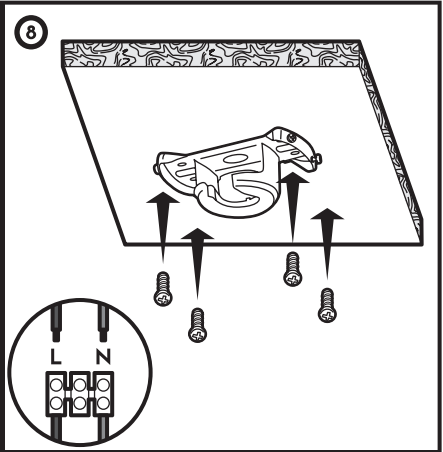
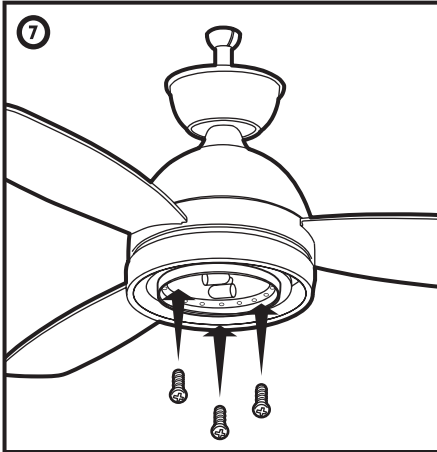


## Receiver installation diagram









## Ceiling Fan FAQs and repair methods

Symptom	Maintenance guide
Fan does not turn	<ol style="list-style-type: none"> <li>1. Check the position of smallpox input power cord has power, the wall switch is turned on</li> <li>2. check the wiring (Special note on a white ceiling fan line is the zero line)</li> <li>3, with a rope and installed a remote control or a wall, there is noopen check rope switch, be sure to pull</li> <li>4. Check the fan remotecontrol switch is turned on. whether thebattery electric remote control.</li> <li>5. Check the reversing switch is pulled in place, you can not pull the reversing switch to the middle position</li> </ol>
Fan noise	<ol style="list-style-type: none"> <li>1. Make surs the fan is net subjected to severe impact before installing</li> <li>2. Cheek whether the locking screw lock blade, leaf frame lock motor screws are tight</li> <li>3. Check whether the collision rotatable member to a non-rotatable member</li> <li>4. Check whether the installation stepless speed control switch, and if so, to replace the capacitor wall control speed.</li> <li>5. Check whether the fan circle screws, washers, wire nuts or other debris</li> </ol>
Oscillating fan	<ol style="list-style-type: none"> <li>1. Check the boomupper and lower ends connecting screws are tight, whether there is card registration lob notch hanger lug (see step 6)</li> <li>2.Cheek whether the locking screw blades, check the motor lock leaf frame screws are tight</li> <li>3.Cheek the lighting installation screws are tight, check the positioning adhesive has not removed</li> </ol>
Bulb does not light	<ol style="list-style-type: none"> <li>1. Check the position of smallpox input power cord has power, the wall switch is turned on</li> <li>2. Check the wiring is correct (Special note on a white ceiling fan line is the zero line)</li> <li>3. fitted with a rope and a remote control or a wall, there is no open check rope switch, be sure to pull</li> <li>4. Check the fan remote control switch is turned on, whether the battery electric remote control.</li> <li>5. Check the light source itself is good</li> </ol>
If the maintenance overhaul by the above methods have problems, please contact our technical staff, please understand the incnvenience!	

### note

Ceiling fans have been manufactured before because many power test, so the probability of the product itself, the problem appears very low, or if the fan doesnot turn light does not appear; or the fan interaction with carnivals and other issues, please be sure to carefully check the wiring is correct under(especially the wall control mode)

# SAFETY INSTRUCTION

Please study the instruction manual and below information carefully before installing or using this product. Please keep this user manual for further reference

1. The luminaires may only be installed by authorized and qualified technicians according to the valid regulations for electrical installation.
2. Maintenance of the luminaires is limited to their surfaces. During maintenance no moisture can come into contact with any areas of the terminal connections or voltage control parts.
3. The electrical supply must be switched off at the outset, preferably by means of a switch in the distribution box, before any installation, maintenance or repair work is undertaken.
4. Exterior lighting must not be installed during rain.
5. Take account of the minimal separation distance from other objects and the room required around the fitting.
6. If in any doubt, consult a professional, taking local installation requirements into account. Some countries stipulate that lighting may be installed only by registered installers.
7. Clamping screws in electrical connections must be adequately tightened. This is particularly the case with 12V low voltage conductors.
8. When replacing a halogen lamp, wait for it to cool, for a minimum of 5 minutes.
9. Clean with a clean, dry cloth or brush, use no solvents or abrasives. Avoid dampness on all electrical components
10. Take account of all available technical information.
11. Take note of the symbols when connecting wires:

**N =Neutral**    **L =Live**     =Earth

12. Meaning of symbols:



For indoor use only, where direct contact with water is impossible



This icon indicates the level of water-proof and dust-proof



Protection Class I: the fitting must be earthed



Protection Class II: the fitting is doubled insulated and does not require earthing



Protection Class III: the fitting is low voltage



Minimum distance from lighted objects (meters)



Only the self-shielded halogen lamp should be used with the luminaire



Strip the wire to the indicated length (mm); different items require different length



Connect using the specified cable; different items require different cables



The type of lamp and maximum size and wattage indicated in each lighting unit must not be exceeded; different items require different kind of light sources with different bulb icons



The armature is designed to work only with the indicated voltage. Different items require different working voltage.



The luminaire can be used in combination with a dimmer



The reference light angle and light space of the luminaire



This luminaire cannot be disposed together with normal domestic waste in standard rubbish can, but you have to bring it to a staging area for electrical waste

**FittinQ B.V.**

Smaragdweg 52, 5527 LB Hapert, The Netherlands  
www.qazqa.nl

QAZQA

