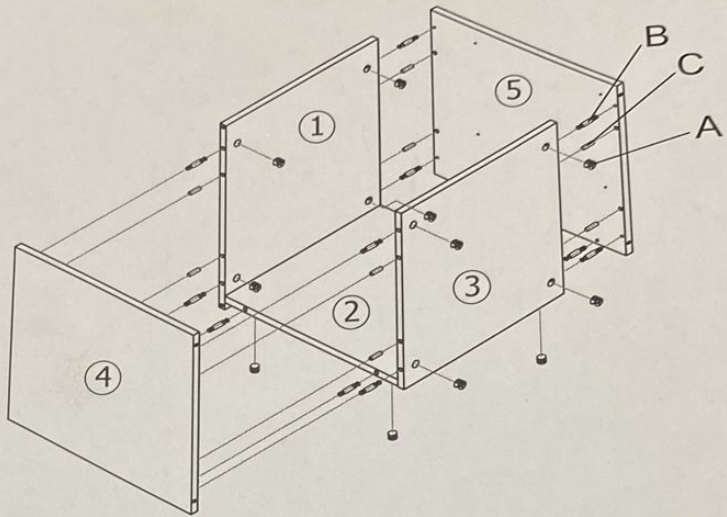


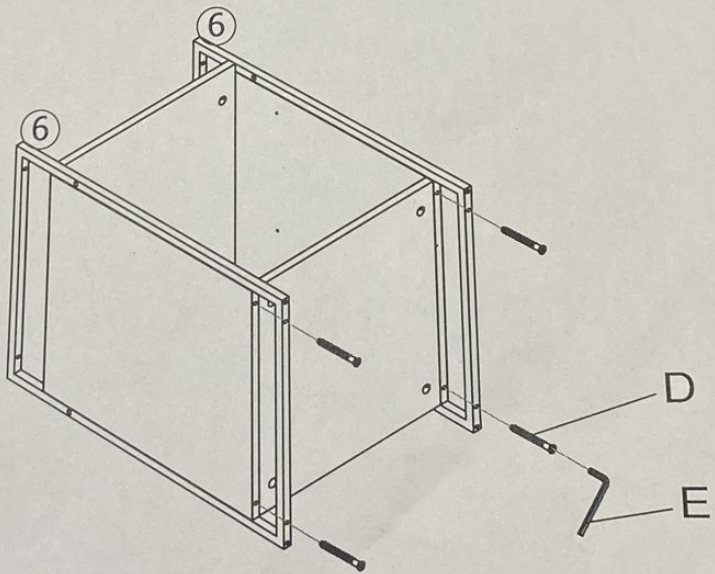
STEP 1

Ax12
Bx12
Cx8



STEP 2

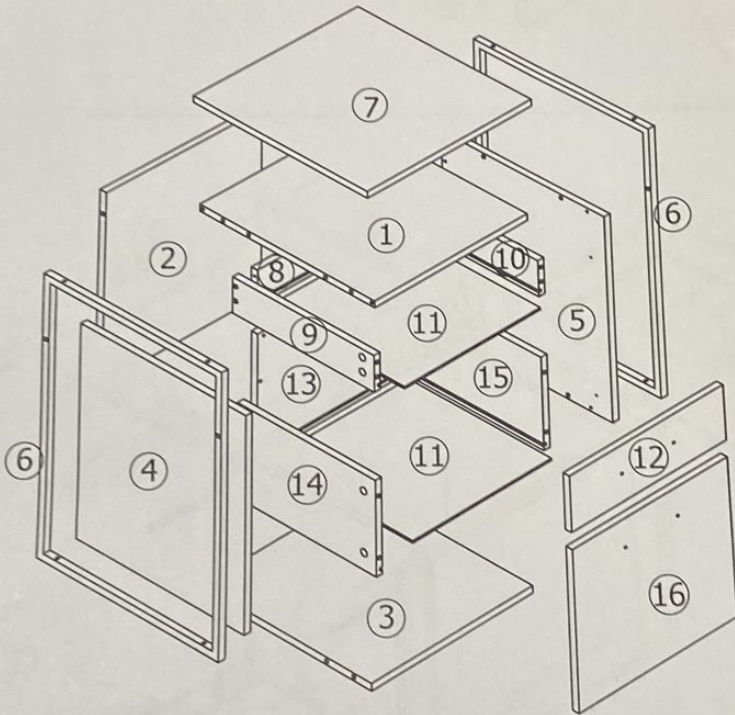
Dx4





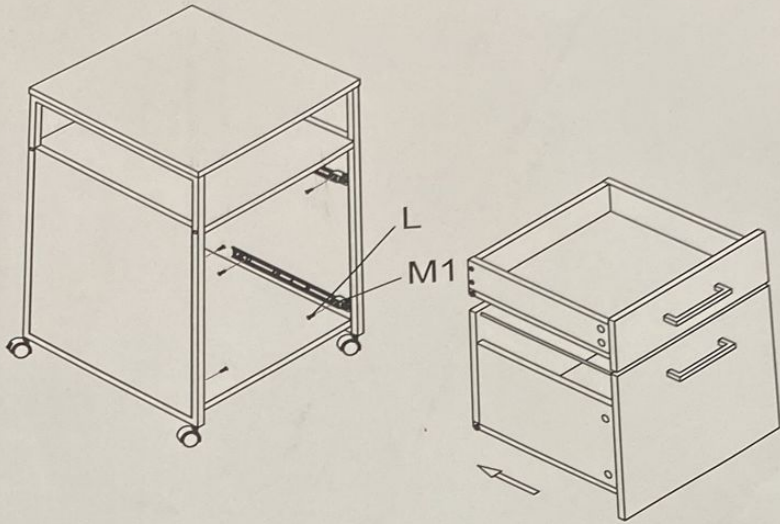
HEFOC-BX-001

A		Ø15x12	20	PCS	J		Ø5x353	2	PCS
B		Ø7x35	20	PCS	K		Ø20	8	PCS
C		Ø8x30	8	PCS	L		Ø3.5x14	16	PCS
D		Ø7x48	8	PCS	M1		14"	2	SETS
E		4mm	1	PCS	M2				
F		M6x25	4	PCS	N			2	PCS
G		Ø4x40	8	PCS	O			2	PCS
H		M4x20	4	PCS	P		12mm	1	PCS
I		128MM	2	PCS	Q				

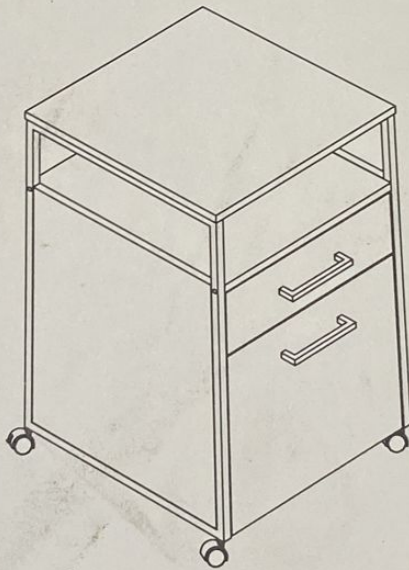


STEP 6

Lx8
M1x4

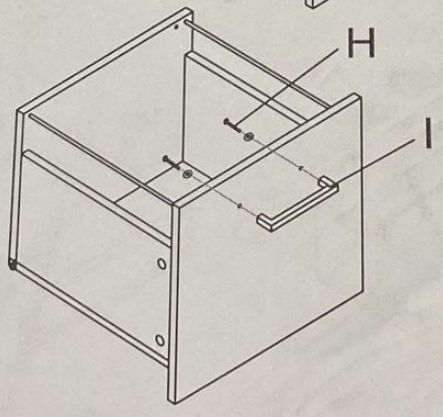
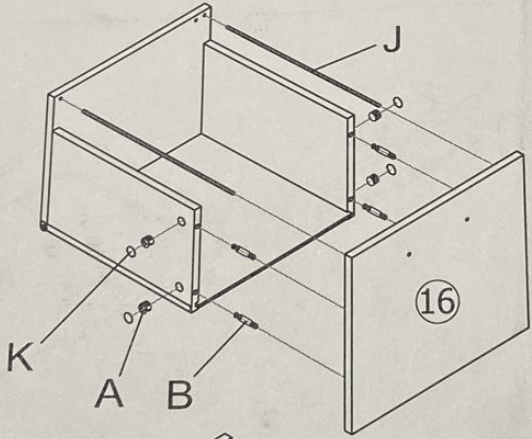
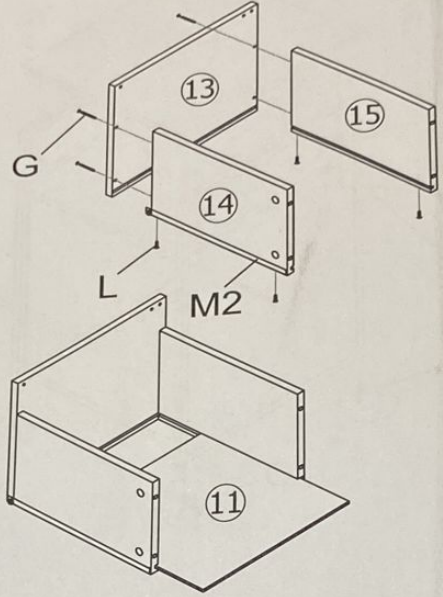


STEP 7



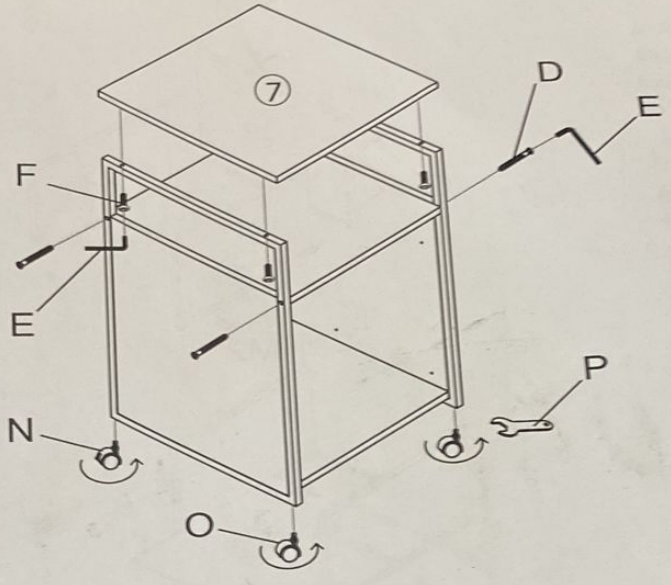
STEP 5

- Ax4
- Bx4
- Gx4
- Hx2
- Ix1
- Jx2
- Kx4
- Lx4
- M2x2



STEP 3

- Dx4
- Fx4
- Nx2
- Ox2



STEP 4

- Ax4
- Bx4
- Gx4
- Hx2
- Ix1
- Kx4
- Lx4
- M2x2

