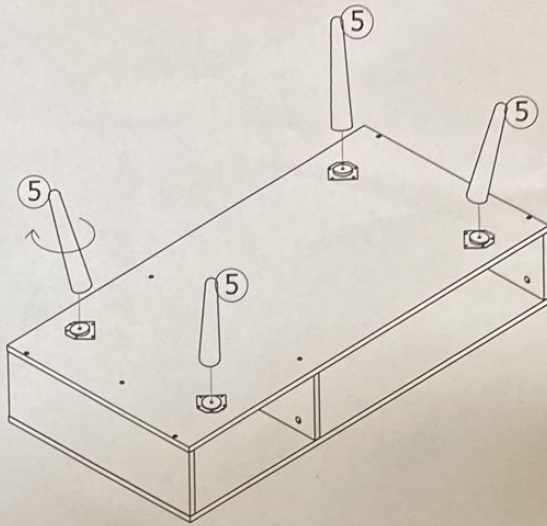
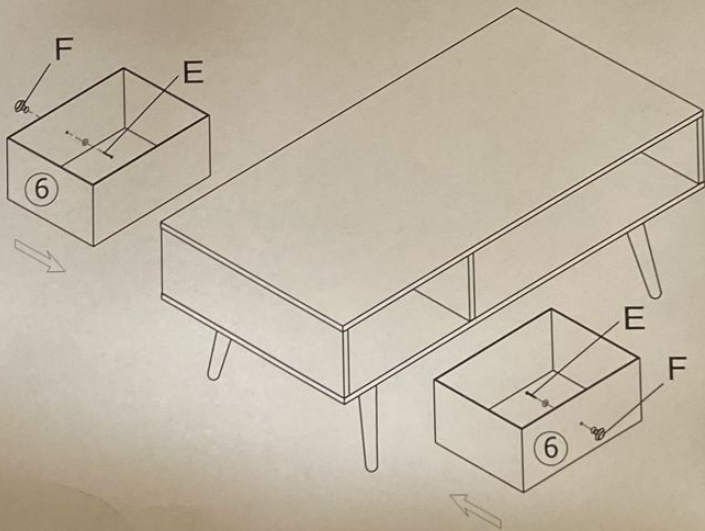


STEP 3



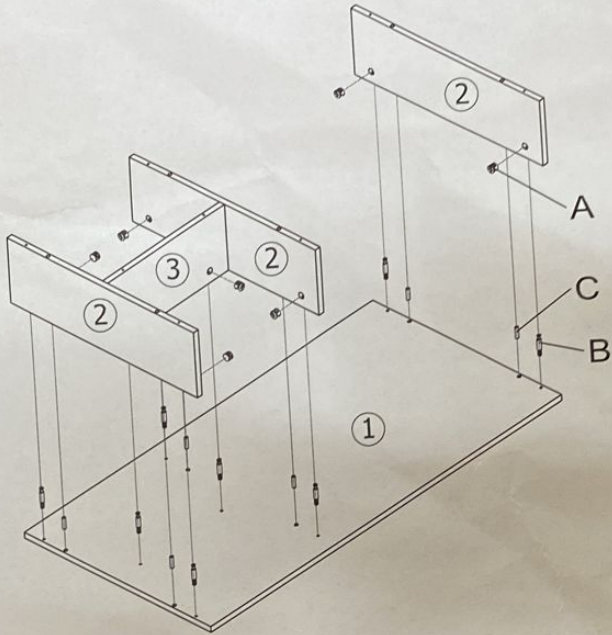
STEP 4

Ex2  
Fx2



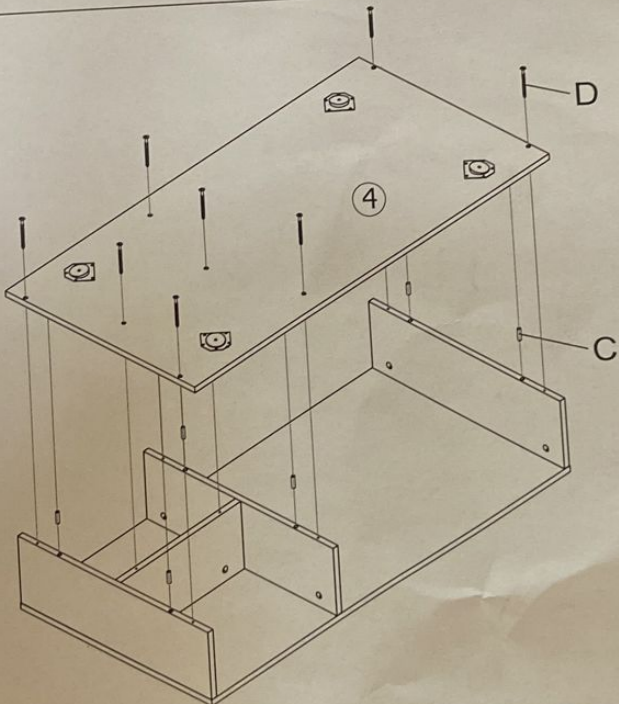
STEP 1

Ax8  
Bx8  
Cx6






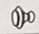


STEP 2

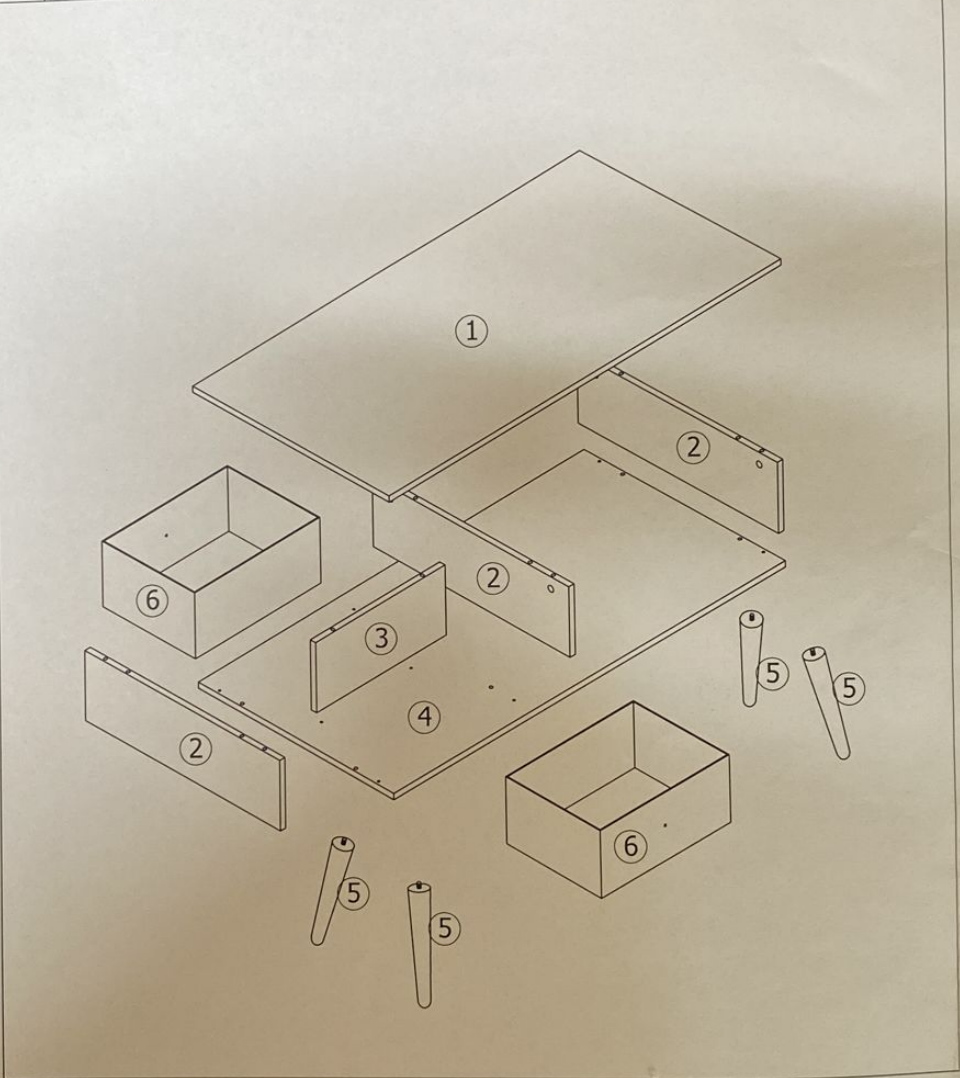
Cx6  
Dx8





HEFKT-BX- 001

A		Ø15x12	8	PCS	E		M4x15	2	PCS
B		Ø7x35	8	PCS	F			2	PCS
C		Ø6x30	12	PCS	G				
D		Ø4x40	8	PCS	H				



STEP 5

