

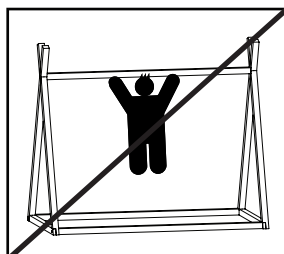
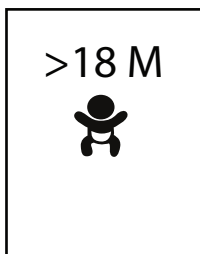
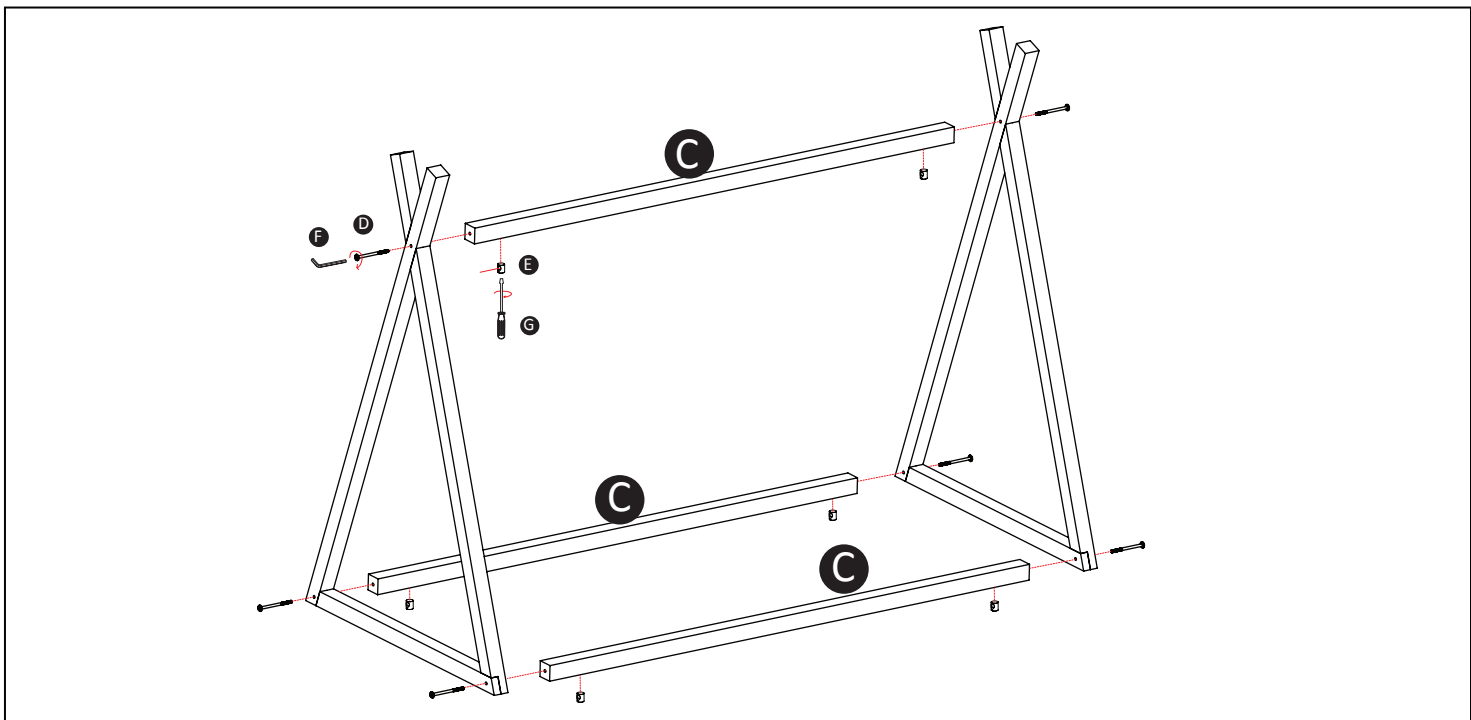
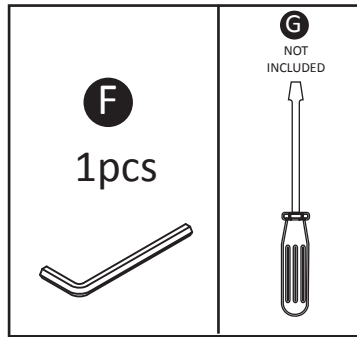
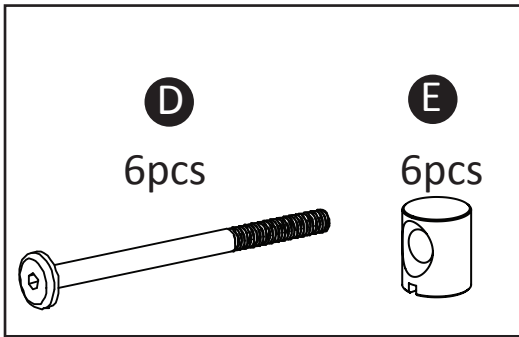
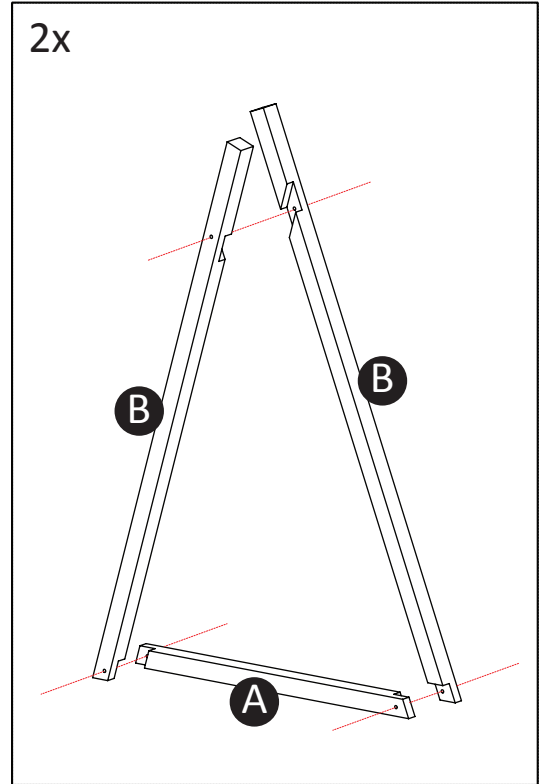
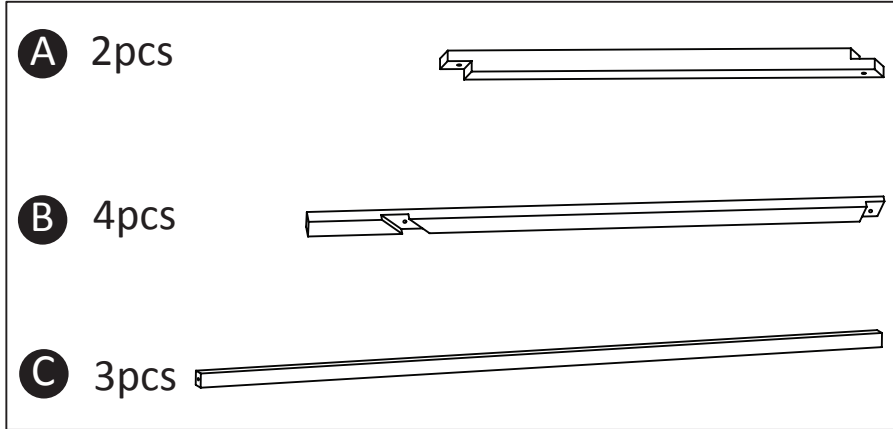


# BxxxTIPI - TIPI BED FRAME BEECH

## Assembly Instructions



NEVER LEAVE THE CHILD UNATTENDED



**CHLDHOME**  
Neerveld 13B  
2550 Kontich  
BELGIUM  
[www.childhome.com](http://www.childhome.com)  
[info@childhome.com](mailto:info@childhome.com)

