

ACCENT E







Product name: Outdoor Gas BBQ

Model No.: UQ-G4726



Assembly & Operation Instruction

PRIOR TO USE:

-  Read the instructions before using the appliance.
-  Only to be used outdoors
-  Do not move the appliance during use
-  Any modification of the appliance may be dangerous
-  Parts sealed by the manufacturer or his agent must not be altered by the user.
-  Do not modify the appliance.

DANGER:

If you smell gas:

1. Shut off gas supply to appliance.
2. Extinguish any open flame, avoid using any electrical appliance.
3. Open lid and ventilate the area.
4. Check gas connections with soap solution.
5. If odor still exists, immediately contact your gas supplier or fire department.


IMPORTANT:


Hazardous fire or explosion may result if these instructions are ignored.


It is the user's responsibility to see that this barbecue is properly assembled, installed, and taken care of. Failure to follow instructions in this manual could result in serious bodily injury and/or property damage.

Any modification of the appliance, misuse, or failure to follow the instructions may be dangerous and will invalidate your warranty.

WARNING:

 Accessible parts may be very hot. Keep young children away.

 Do not store or use petrol or other flammable vapor or liquids in the vicinity.



 This appliance must be kept away from flammable materials during use.

Please keep this manual for future reference

Trade name : JINGDONG RETAIL (NETHERLANDS) B.V.

Address : Joop Geesinkweg 901, 1114AB Amsterdam-Duivendrecht

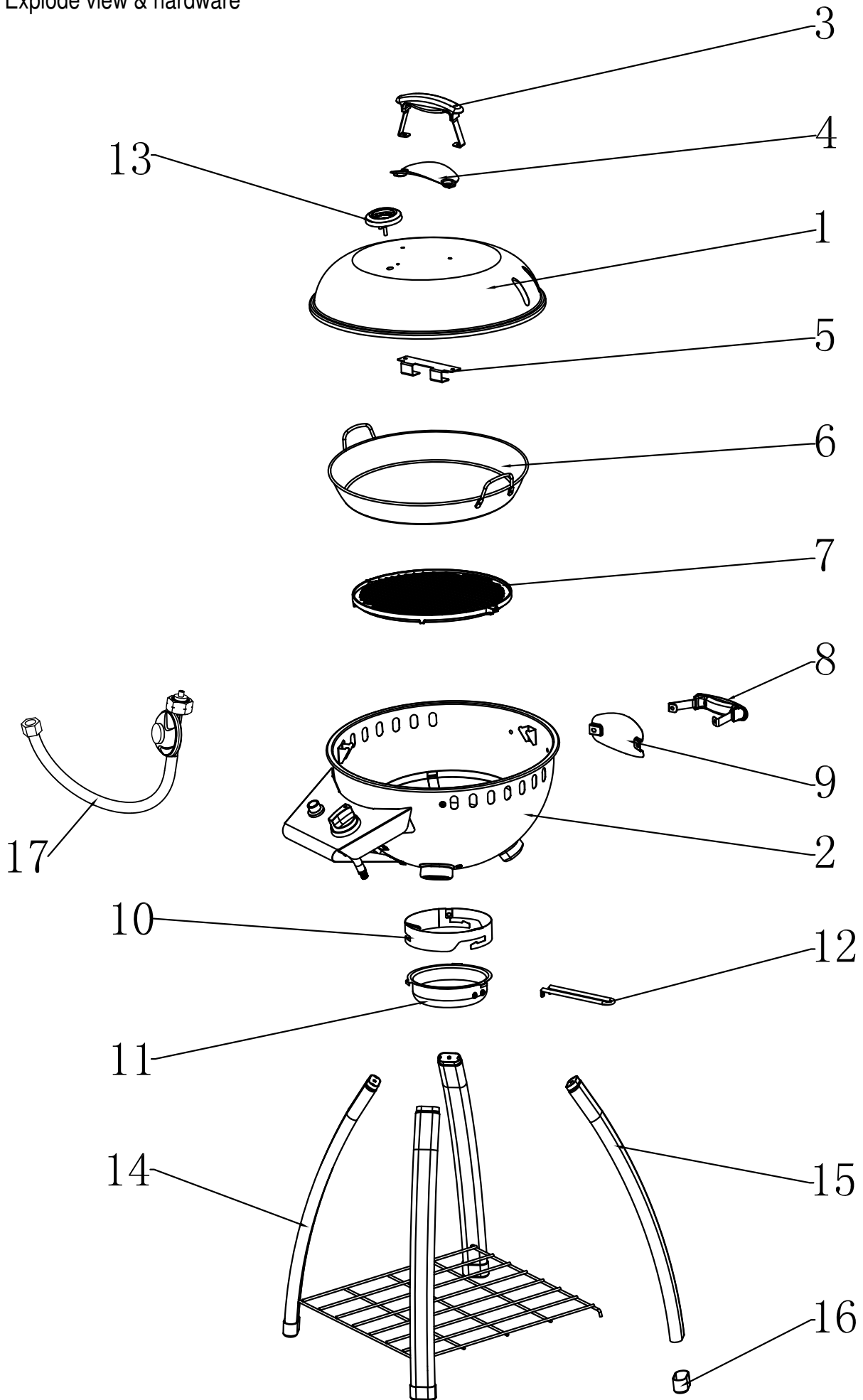
1. Information

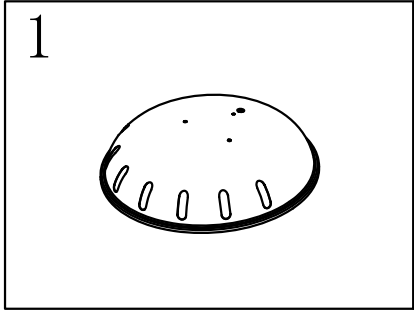
Product Name	Outdoor Cooking Gas Grill
Model Number	UQ-G4726
Cat	I _{3B/P} (30)
Country code	NL
Gas Type and Pressure	Gas type: Butane, propane and their mixtures Use pressure:30mbar
Burner Injector size(Ømm)	0.9mm
Nominal heat input (Hs)(kW)	3KW (218g/h)
 CAUTION:	
USE OUTDOORS ONLY	
READ THE INSTRUCTIONS BEFORE USING THE APPLIANCE	
WARNING: ACCESSIBLE PARTS MAY BE VERY HOT. KEEP YOUNG CHILDREN AWAY	
	

2. Safety instructions

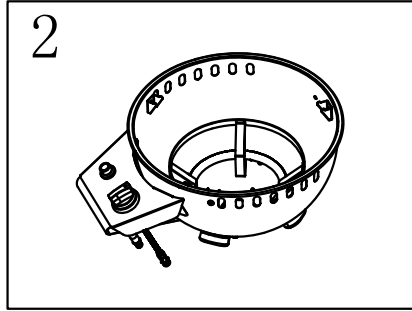
- ⚠ Leak test all connections after each tank refilled or first use after a long period, by which the method is described in the “Operating instructions” part
- ⚠ This Grill is NOT for commercial use.
- ⚠ Never use an LP gas tank with damaged body, valve, collar, or footing.
- ⚠ Do not store a spare LP gas tank under or near this appliance.
- ⚠ The use of alcohol, prescription or non-prescription drugs may impair the ability to properly assemble or safely operate the appliance.
- ⚠ Never use charcoal, lighter fluid, lava rocks, gasoline, kerosene, or alcohol within this product.
- ⚠ Do not store or use gasoline or other flammable liquids or vapors within 25 feet (7.6m) from this appliance.
- ⚠ Minimum clearance from sides and back of unit to combustible construction: 3 feet from side and 3 feet from back. Do not use this appliance under overhead combustible surface.
- ⚠ Do not use the grill unless it's completely assembled and all parts are securely fastened and tightened.
- ⚠ This grill should be thoroughly cleaned and inspected on a regular basis, clean and inspect the hose before each use of the appliance. If there is evidence of abrasion, wear, cuts or leaks, the hose must be replaced prior to the appliance being operated.
- ⚠ Use only factory authorized parts. The use of any part that is not factory authorized is dangerous. This may also void your warranty.
- ⚠ When cooking, fire extinguishing materials shall be readily accessible. In the event of an oil grease fire, do not attempt to extinguish with water. Use type B or type C dry chemical fire extinguisher or smother with dirt, sand or baking soda.
- ⚠ Operate on solid ground only, do not install or use in/on boats or recreational vehicles.
- ⚠ Do not leave a lit grill unattended, especially keep children and pets away from grill at all times.
- ⚠ Do not move the appliance during use.
- ⚠ Always open grill lid carefully and slowly as heat and steam trapped within grill can severely burn you.
- ⚠ Move gas hoses as far away as possible from hot surface and dripping hot grease.
- ⚠ Keep all electrical cords away from a hot grill.
- ⚠ Turn off the gas supply at the gas container after use.
- ⚠ Never cover the entire cooking area.
- ⚠ Never obstruct the ventilation openings of the container compartment.
- ⚠ When handling particularly hot components, protective gloves should be used.
- ⚠ Warning “Do not move the appliance during use.”

3. Explode view & hardware

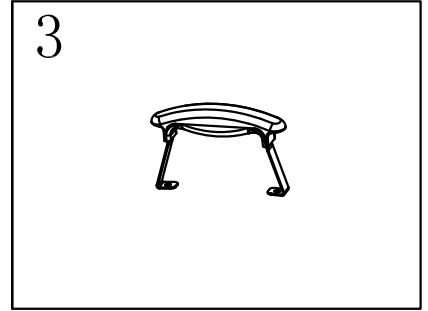




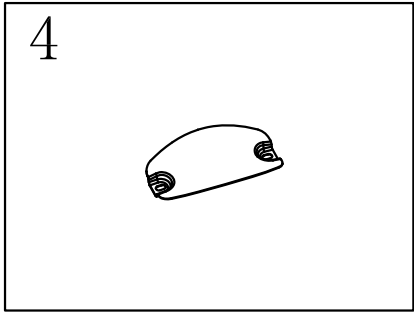
1x



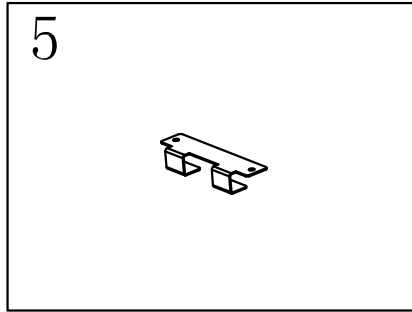
1x



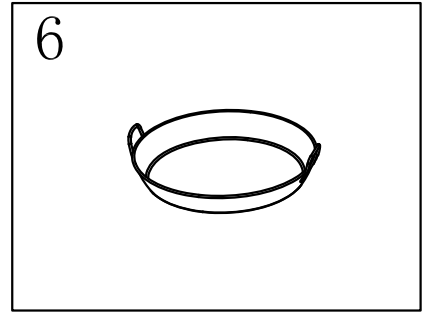
1x



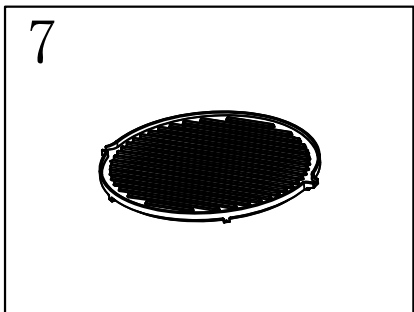
1x



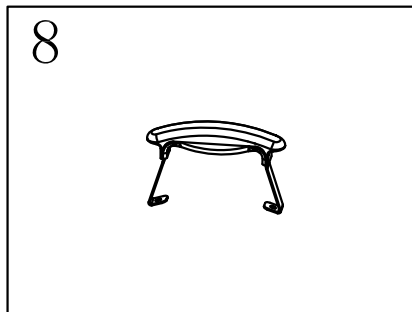
1x



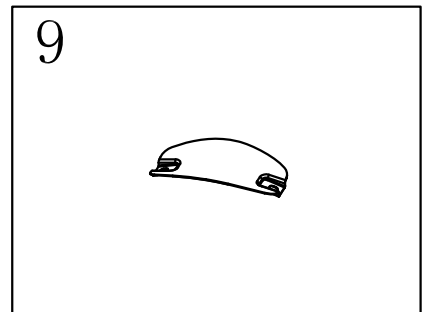
1x



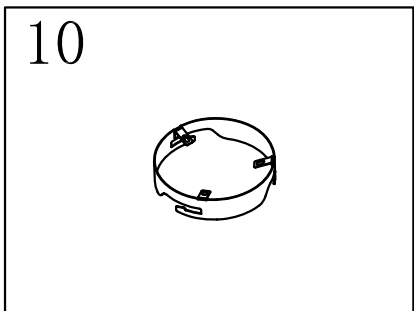
1x



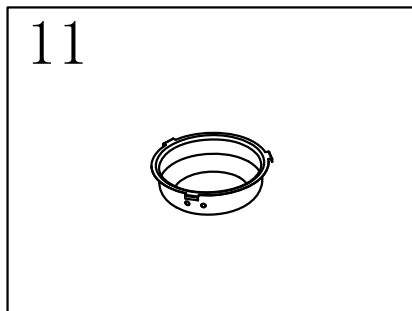
1x



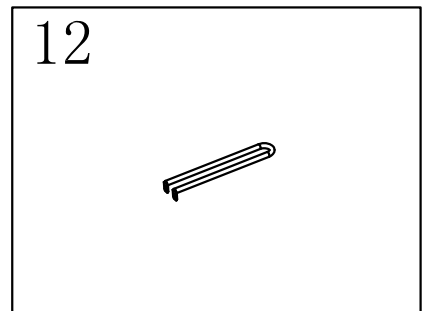
1x



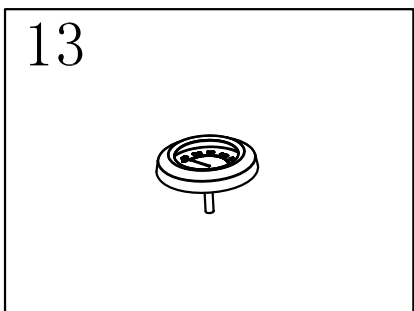
1x



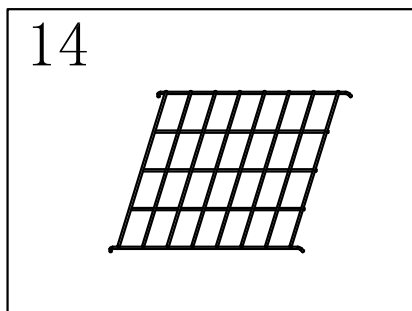
1x



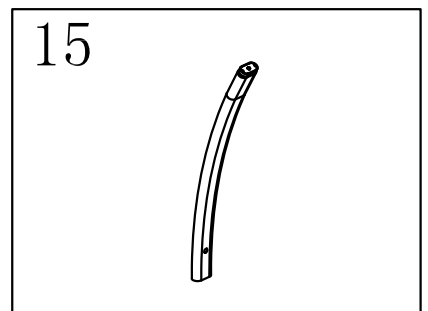
1x



1x

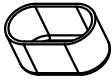


1x



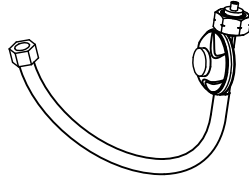
4x

16



4x

17



A



M6*10 (7x)

B



M6 (9x)

C



$\phi 12 * \phi 6.5$ (9x)

D



M6*30 (4x)

E



M6*12 (2x)

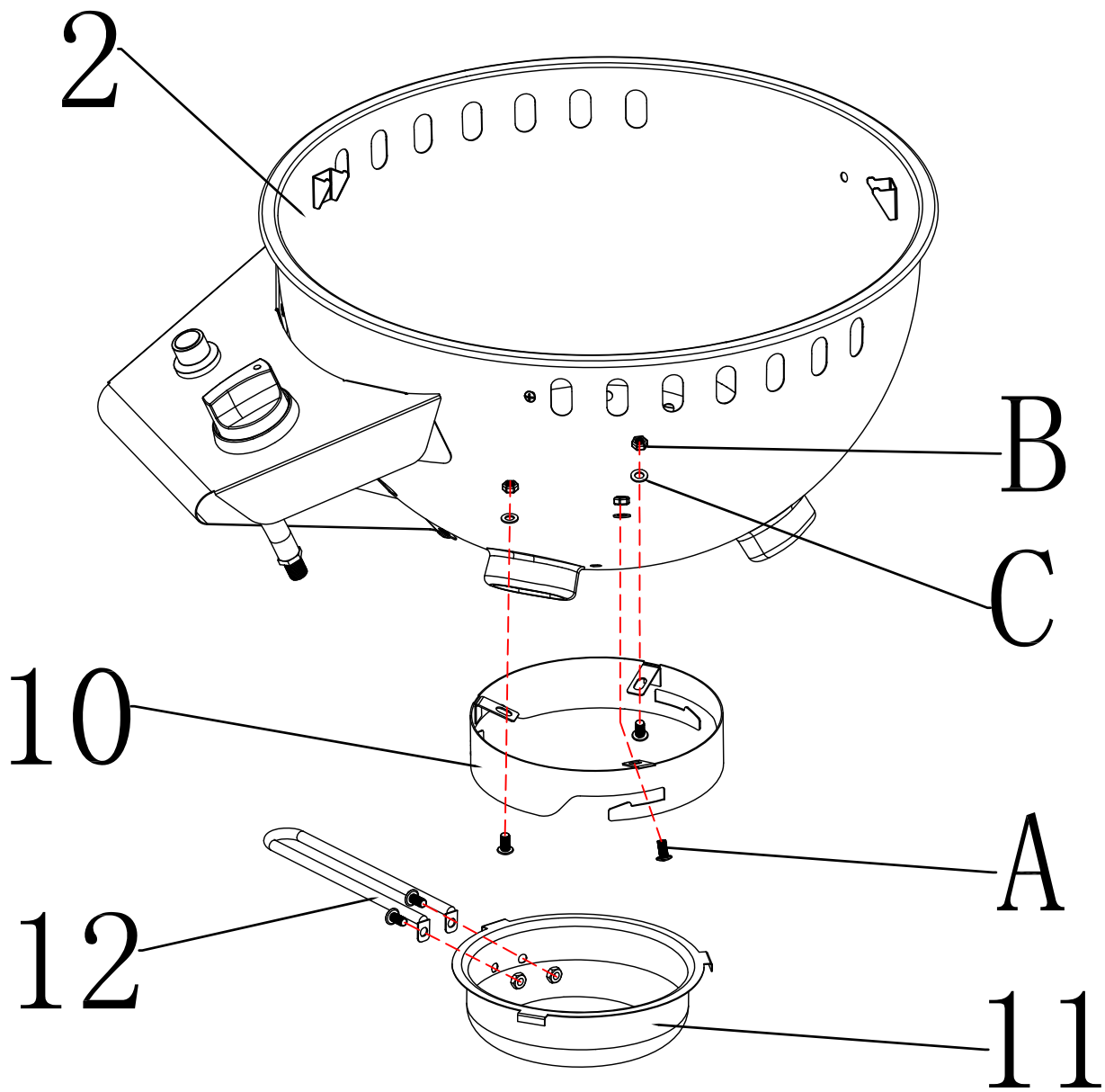
2. Safety instructions

- ⚠ Leak test all connections after each tank refilled or first use after a long period, by which the method is described in the “Operating instructions” part
- ⚠ This Grill is NOT for commercial use.
- ⚠ Never use an LP gas tank with damaged body, valve, collar, or footing.
- ⚠ Do not store a spare LP gas tank under or near this appliance.
- ⚠ The use of alcohol, prescription or non-prescription drugs may impair the ability to properly assemble or safely operate the appliance.
- ⚠ Never use charcoal, lighter fluid, lava rocks, gasoline, kerosene, or alcohol within this product.
- ⚠ Do not store or use gasoline or other flammable liquids or vapors within 25 feet (7.6m) from this appliance.
- ⚠ Minimum clearance from sides and back of unit to combustible construction: 3 feet from side and 3 feet from back. Do not use this appliance under overhead combustible surface.
- ⚠ Do not use the grill unless it's completely assembled and all parts are securely fastened and tightened.
- ⚠ This grill should be thoroughly cleaned and inspected on a regular basis, clean and inspect the hose before each use of the appliance. If there is evidence of abrasion, wear, cuts or leaks, the hose must be replaced prior to the appliance being operated.
- ⚠ Use only factory authorized parts. The use of any part that is not factory authorized is dangerous. This may also void your warranty.
- ⚠ When cooking, fire extinguishing materials shall be readily accessible. In the event of an oil grease fire, do not attempt to extinguish with water. Use type B or type C dry chemical fire extinguisher or smother with dirt, sand or baking soda.
- ⚠ Operate on solid ground only, do not install or use in/on boats or recreational vehicles.
- ⚠ Do not leave a lit grill unattended, especially keep children and pets away from grill at all times.
- ⚠ Do not move the appliance during use.
- ⚠ Always open grill lid carefully and slowly as heat and steam trapped within grill can severely burn you.
- ⚠ Move gas hoses as far away as possible from hot surface and dripping hot grease.
- ⚠ Keep all electrical cords away from a hot grill.
- ⚠ Turn off the gas supply at the gas container after use.
- ⚠ Never cover the entire cooking area.
- ⚠ Never obstruct the ventilation openings of the container compartment.
- ⚠ When handling particularly hot components, protective gloves should be used.
- ⚠ Warning “Do not move the appliance during use.”

1

2	1x
10	1x
11	1x
12	1x

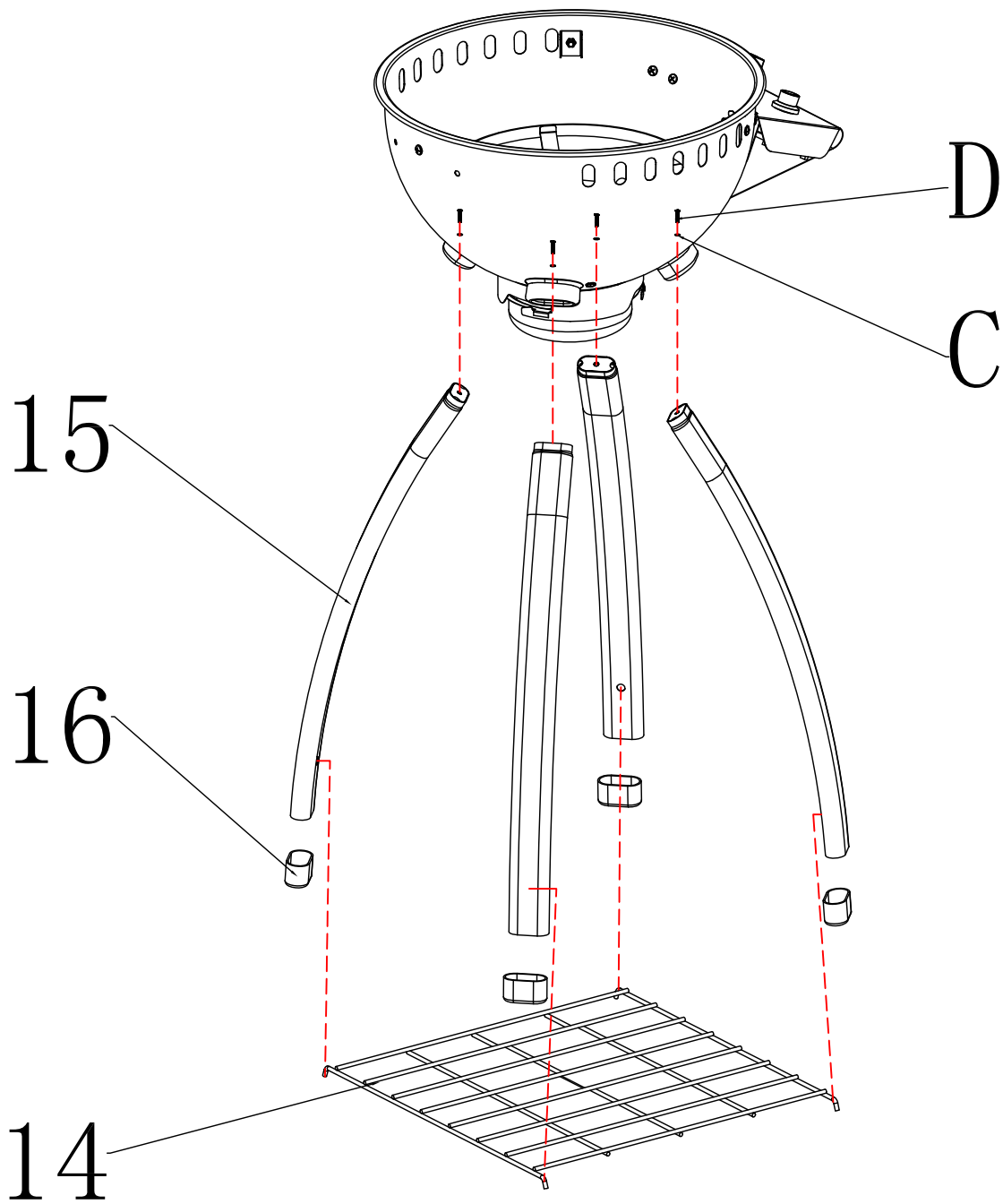
A	5x
B	5x
C	3x



2

14	1x
15	4x
16	4x

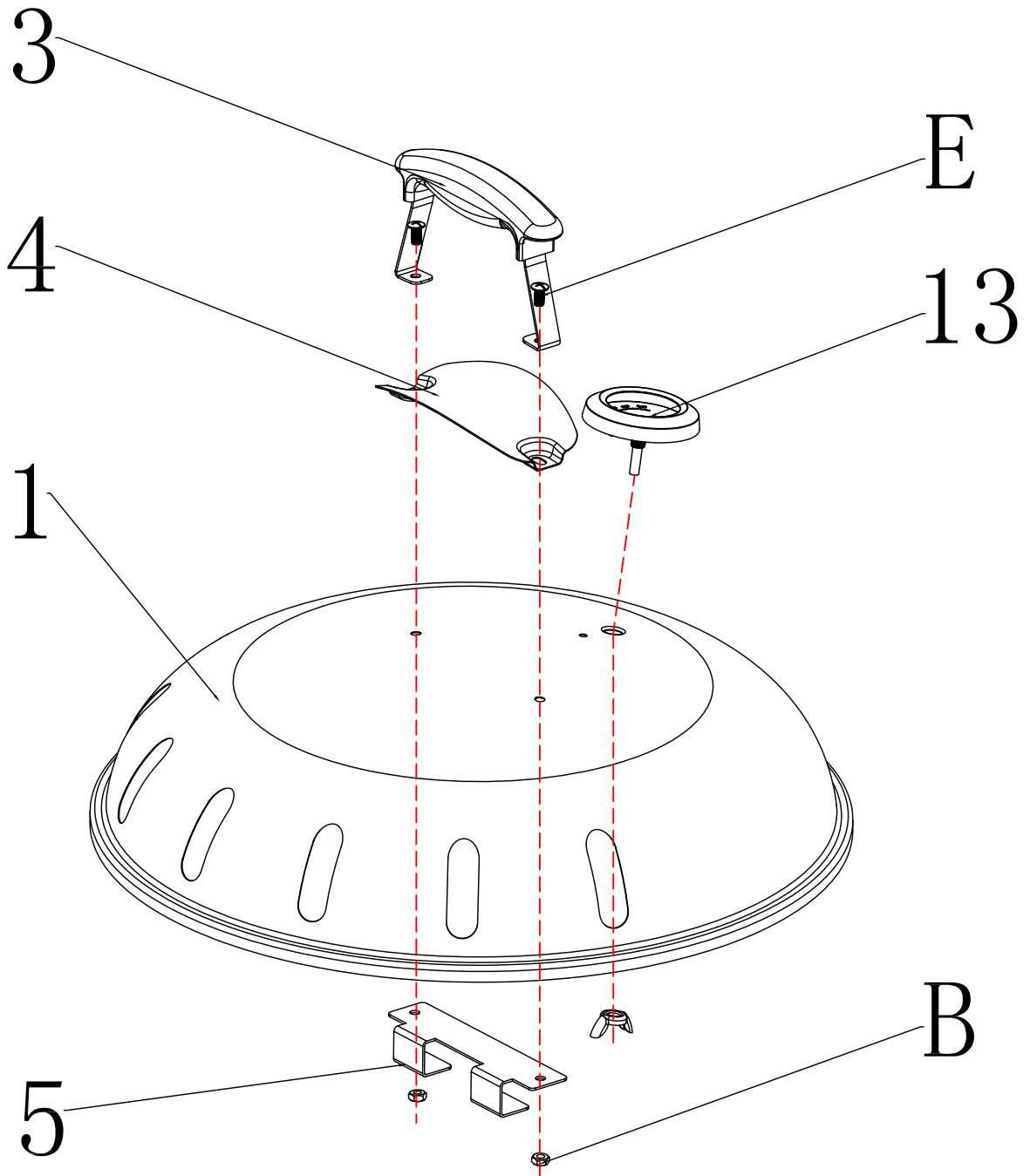
D	4x
C	4x



3

1	1x
3	1x
4	1x
5	1x
13	1x

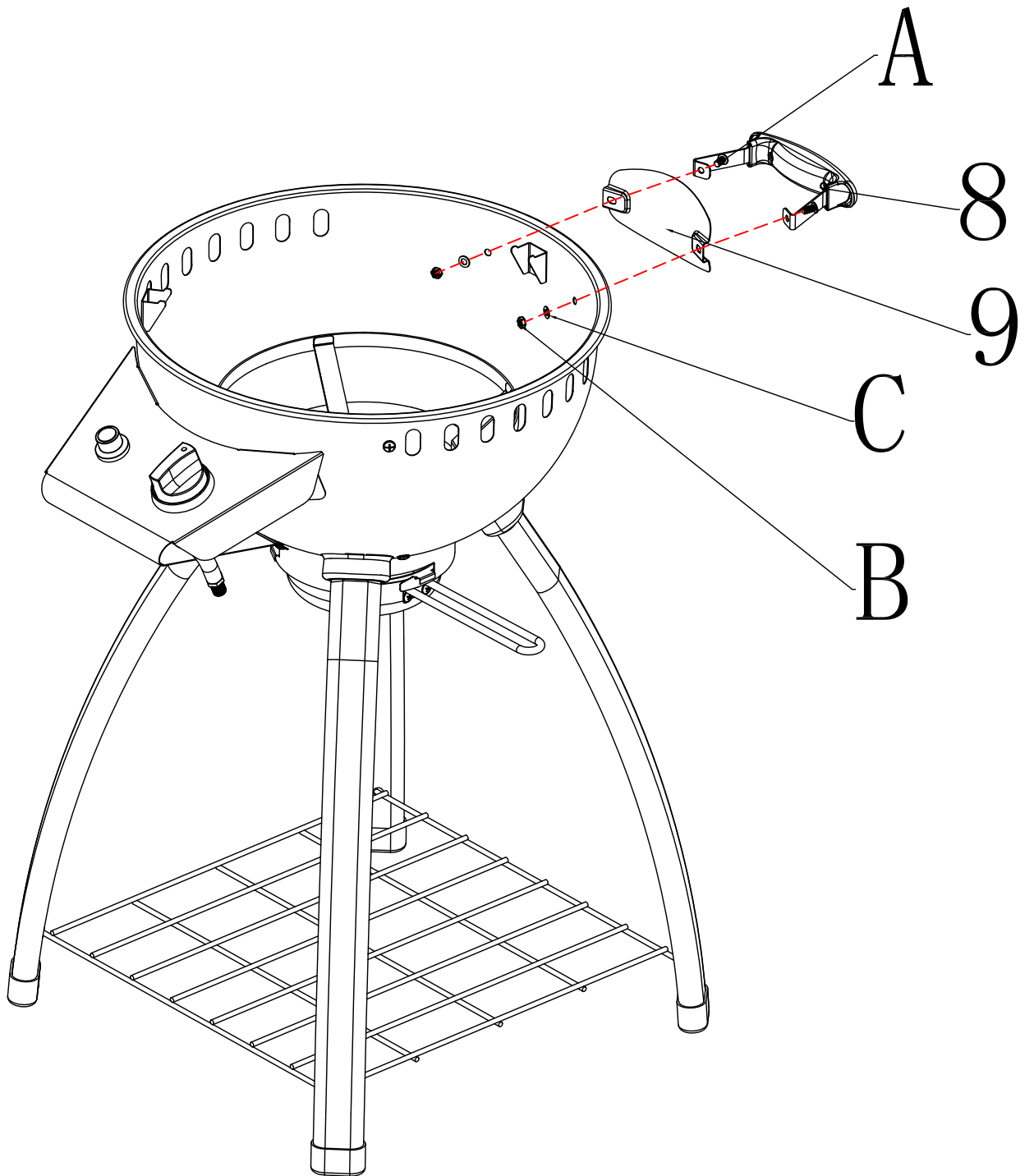
B	2x
E	2x



4

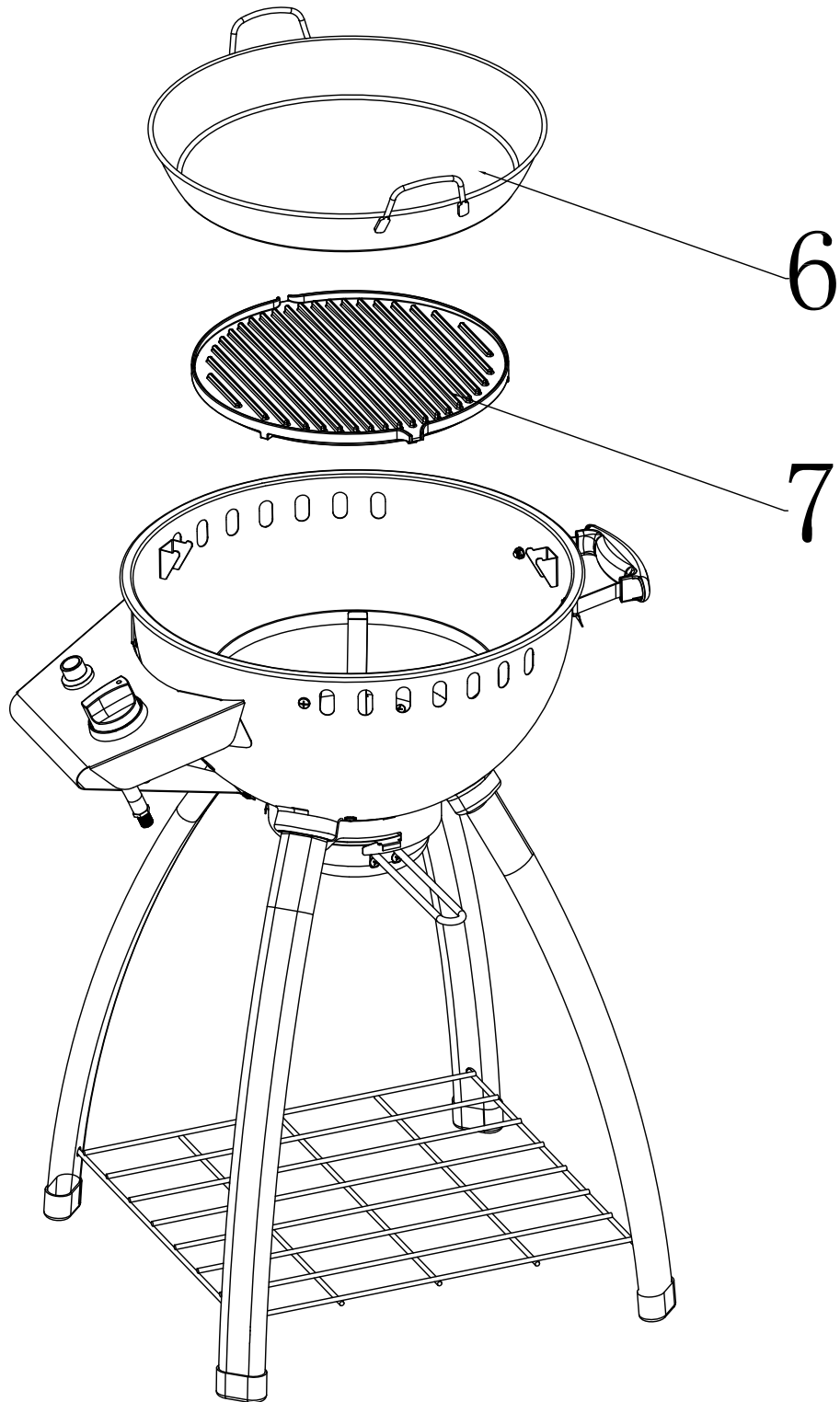
8	1x
9	1x

A	2x
B	2x
C	2x



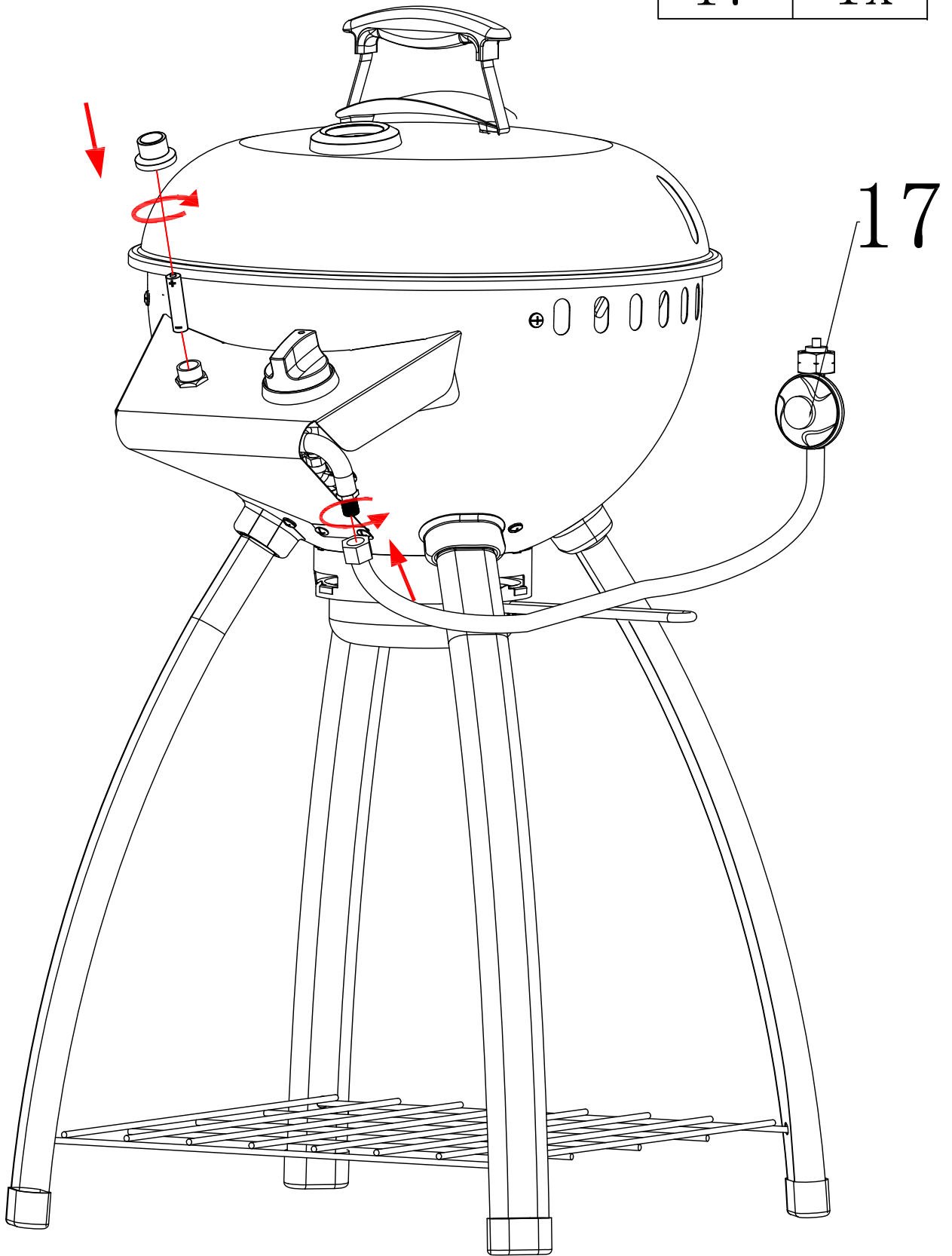
5

6	1x
7	1x

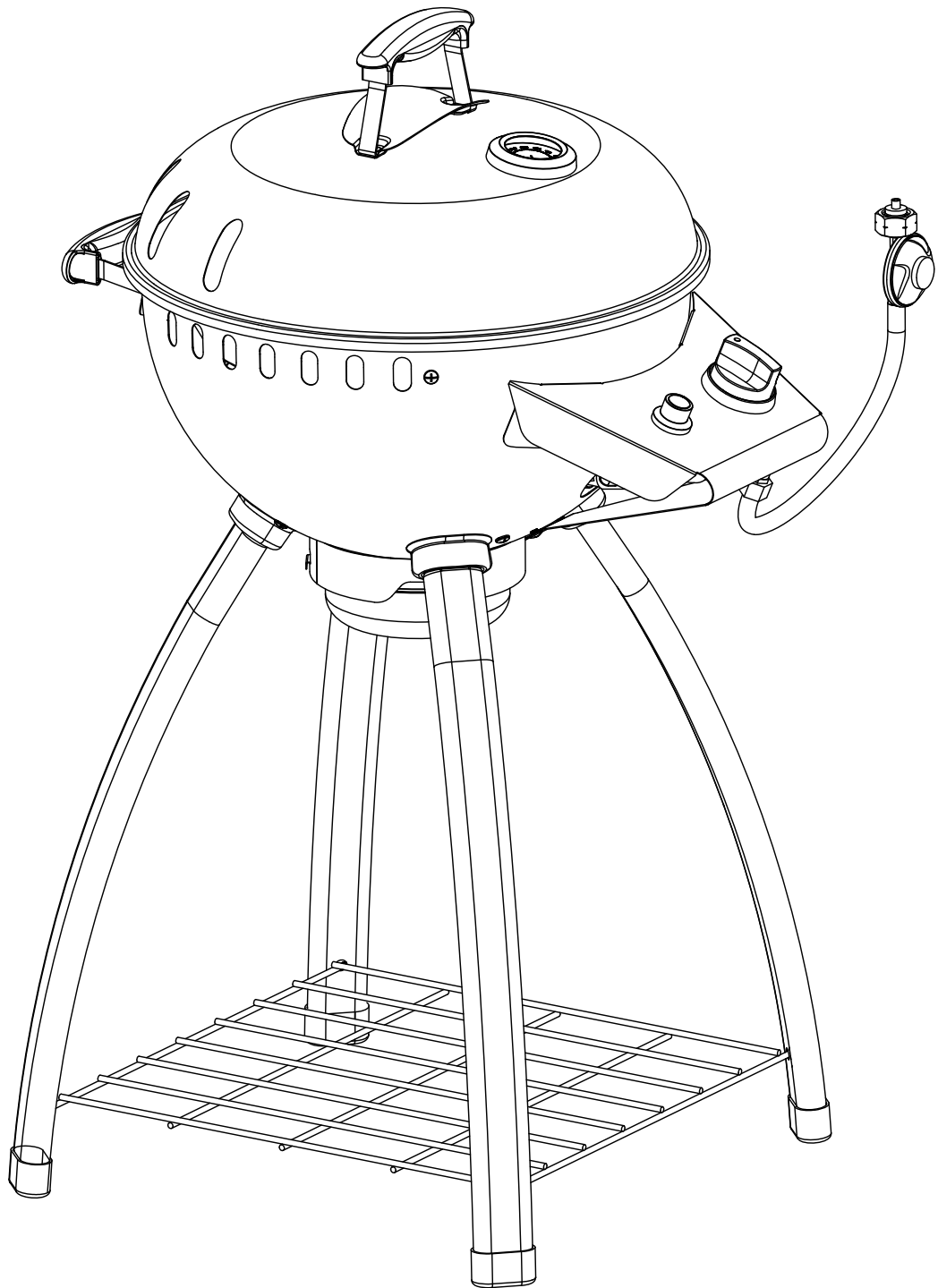


6

17	1x
----	----



7



5. Installing with gas supply system

Important Notes:

- To operate you will need a precision-filled standard G30/G31 grill LP gas cylinder with external valve threads. Use a suitable regulator certified to BSEN 16129:2013.

⚠ Use standard flexible tube with length less than 1.5 m. The tube shall be certified to BSEN 16436-1 and/or local regulation.

Danger: You must have the proper regulator and bottle in order for the barbecue to operate safely and efficiently. Use of an incorrect or faulty regulator is dangerous and will invalidate any warranty.

Connect LP Gas cylinder

Before connecting, be sure that there is no debris caught in the head of the LP tank, head of the regulator valve or in the head of the burner and burner ports.

Connect gas line to tank by turning knob clockwise until it stops, make sure that the tube is not subject to twisting.

The maximum diameter and the maximum height of the cylinder is 300 mm and 600 mm as shown in (Fig.1).



Fig.1

1: maximum diameter

2: maximum height

Pay attention when put the cylinder to the cylinder hole, ensure the hose connect to the cylinder not touch the hot surface. Keep the cylinder stay in place during operation. Never put spare cylinder in the same cylinder enclosure. Never block the way of shut off the cylinder valve.

Warning: Shut off the gas cylinder when you smell gas.

Disconnect LP Gas cylinder

Before disconnecting make sure the LP gas tank valve in "CLOSED"

Disconnect gas line from LP gas cylinder by turning knob counterclockwise until it is loose.

After connecting to gas cylinder, a leak testing is necessary.

Danger: When changing the gas container, care must be taken to keep away from any source of ignition.

Leak Testing (To be performed in a well-ventilated area)

- Confirm all barbecue control knobs are in the off position.
- Open the gas control valve on gas cylinder.
- Check for leaks by brushing soap solution over all gas system joints, including all valve connections, hose connections and regulator connections.
- ⚠ NEVER USE AN OPEN FLAME to test for leaks at anytime.
- If bubbles form over any of the joints, there is a leak. Turn off the gas supply and retighten that joint. Repeat the test. If bubbles form again, stop trying; contact your local dealer for assistance. Leak test annually, and whenever the gas cylinder is removed or replaced.

6. Operating instructions

Warnings

- ⚠ Before proceeding, make certain that you have assembled the appliance according to instructions.
- ⚠ Use your Grill at least 3 feet away from any wall or surface.
- ⚠ Never use your gas grill in a building, garage, shed, breezeway, or any other enclosed area.
- ⚠ Never obstruct the flow of ventilation air around your gas grill housing.

Before lighting

Inspect the gas supply hose prior to turning the gas "ON". If there is evidence of cuts, wear or abrasion, it must be replaced prior to use. Check leakage before use. Do not use the grill if the odor of gas is present.

Preparation before cooking

To prevent foods from sticking to the cooking grill, please use a long handled brush to apply a light coat of cooking or vegetable oil before each barbecuing session. (Note: When cooking for the first time, coating color may change slightly as a result, this is normal and should be expected.)

8. Troubleshooting

In many cases small defects can lead to a malfunction. You will usually be able to deal with these yourself. Please consult the following table before contacting the service department. This may save you a lot of effort and quite often money.

Fault/malfunction	Cause	Remedy
You can smell gas	Is the gas connection leaking?	► Leakage check close gas regulator on the gas bottle; exchange damaged parts immediately.
	Regulator opened?	Set the regulator to OFF .
Burner does not ignite.	Gas tank empty?	Replace the gas tank.
	Tank valve closed?	Open tank valve.
	Burners contaminated?	Clean the burners.
	Ignition battery empty?	Replace the battery.
Large flames and burning at the protection plates.	Are the plates heavily soiled?	Clean plates.
	Grilled food is very greasy?	Use an aluminium foil tray to catch drips.
Temperature is too low	Grill not pre-heated?	Pre-heat for 5–10 min.
	Pre-heat for 5–10 min.	Clean the burners.

Please contact service department directly if you cannot eliminate the error by yourself. Please remember that repairs carried out by non-professionals will invalidate your warranty claim and may cause additional costs.

Disposal

Disposal of the appliance

This appliance must not be disposed of with regular household waste! Dispose of the appliance in the appropriate manner. For more information, consult your community waste disposal service.

Disposing of gas bottles

Bottles which are no longer needed do not belong in household waste; instead, they must be disposed of according to local regulations.

- Bring empty gas bottles to the dealer's collection point or a collection point in your community.

Disposal of the packaging

The packaging consists of cardboard and correspondingly marked plastics that can be recycled.

- Make these materials available for recycling.



9.Limited Warranty

We grant a warranty for the barbecue grill for the duration of one year, starting with the date of purchase. The warranty includes manufacturing deficiencies and defective parts; it extends to the replacement of these parts. Expenses for shipping, installation, replacement of worn parts and other cost are not covered by the warranty.

The warranty lapses in case of mishandling and if any kind of unauthorized modifications are made on the unit.