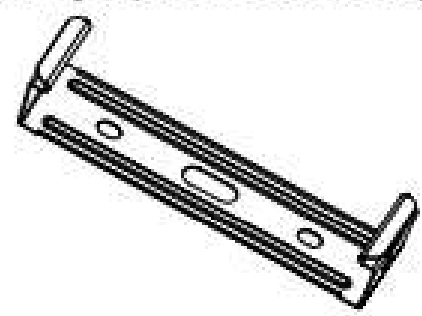
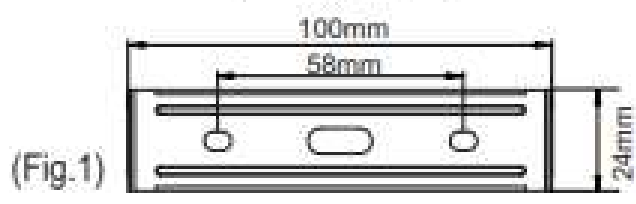


Installation: ⚠ **Warning!** Switch off the power source before installation & maintenance

Step 1: Identify the location and direction of any hidden supply cables or service pipes before drilling fixing holes.

Step 2: Mark and drill mounting holes for the snap-in ceiling clips at the correct spacing - see minimum/maximum spacing (Fig.1).



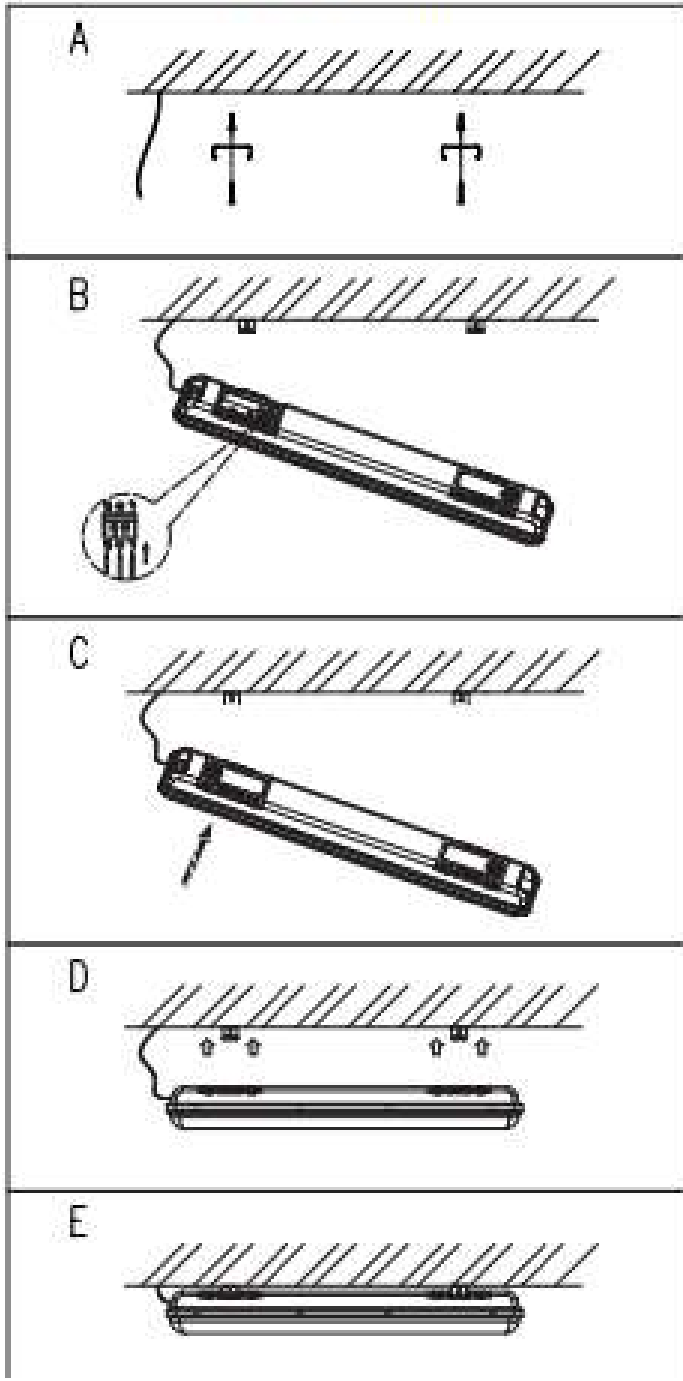
Step 3: Fix the clips securely to the ceiling (A)

Step 4: Using a screw loosen and open the cover for the connection block and wire the main input to the terminal block of the light fitting (B). For detailed wiring instructions see Fig. 2.

Step 5: Close the connection box cover (C) and mount the light fitting onto the metal clips ensuring that it is secured into place (D)

Step 6: Power up the fitting to check that it functions correctly (E)

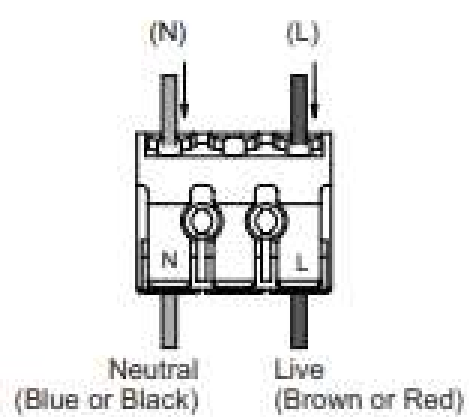
Installation*



(Fig.2) **Wiring Instructions**



POWER SUPPLY



LIGHT FITTING

⚠ **This is a sealed fitting and must not be opened!**

Opening this fitting will void the warranty!