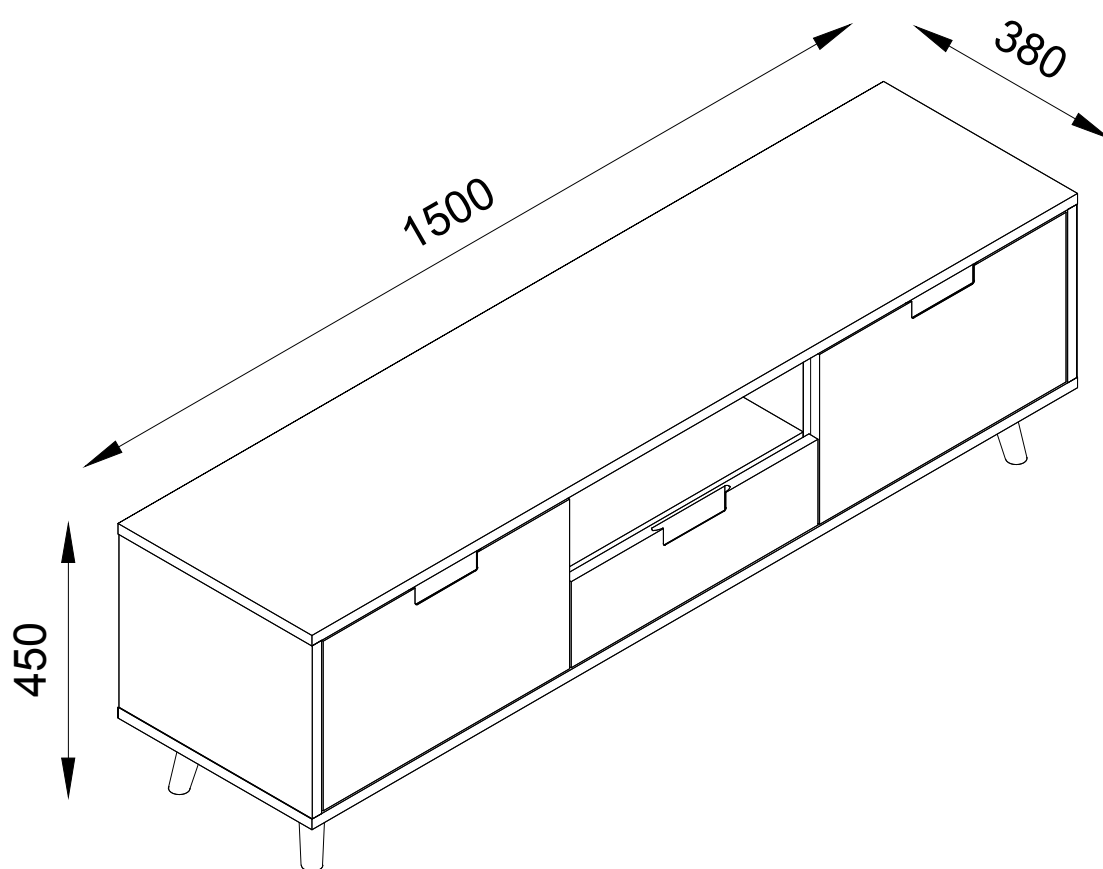
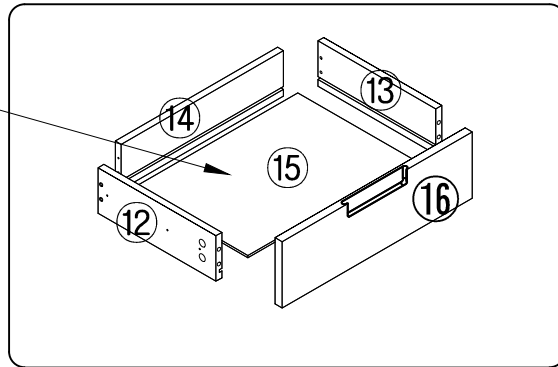
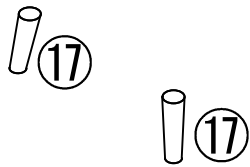
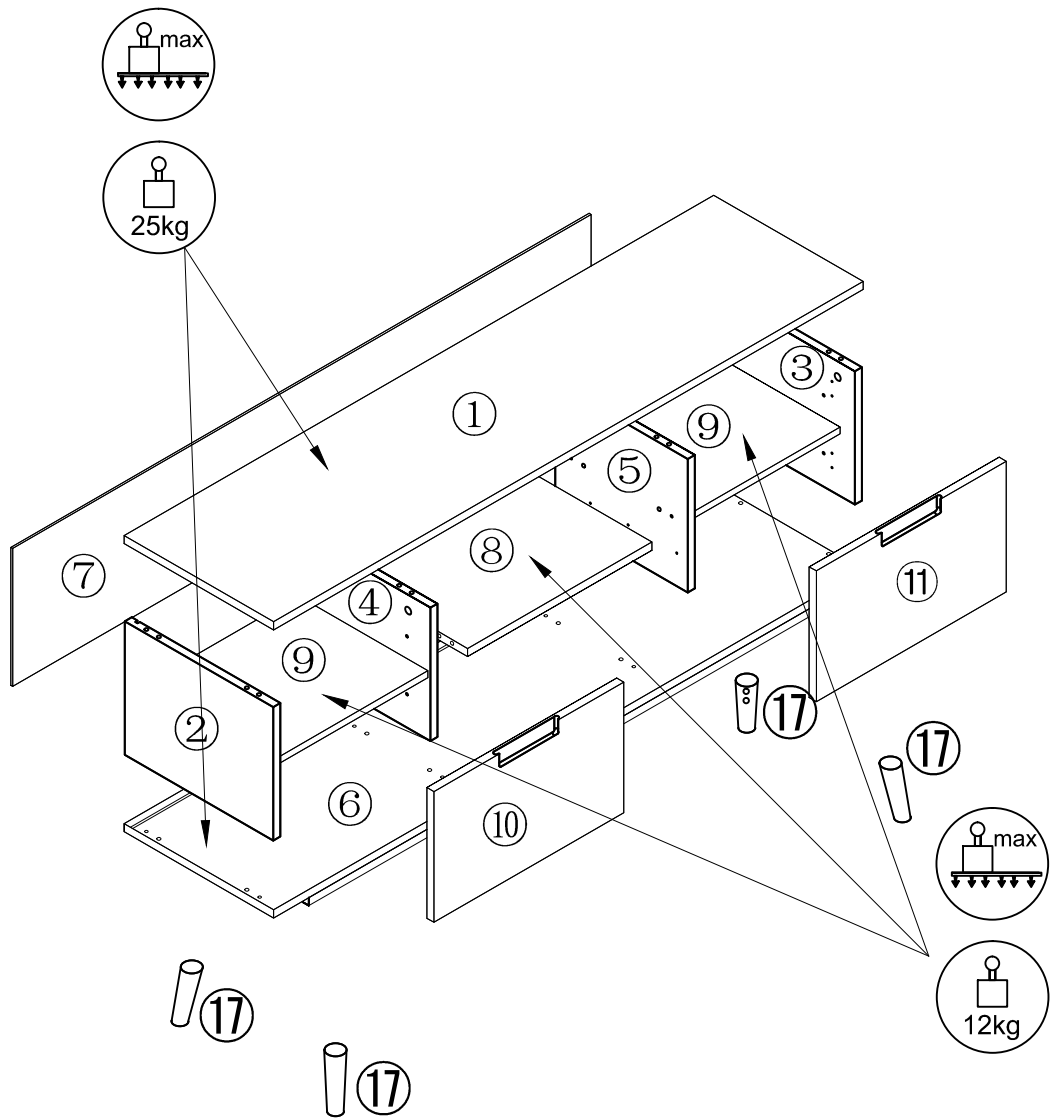


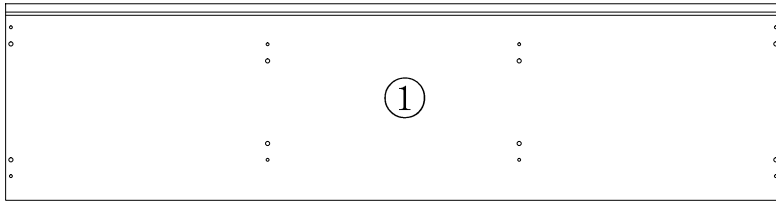
Copenhagen
TV-Bench

2501001

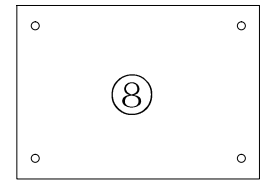
2501002



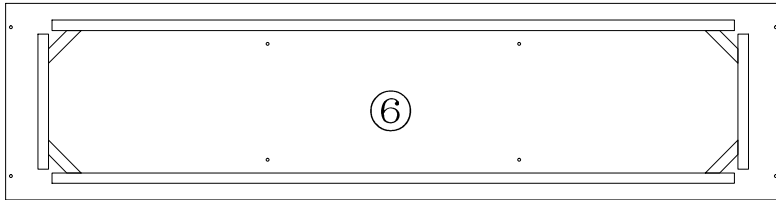




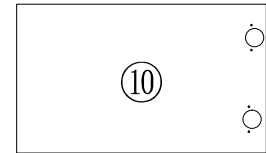
380x1500x18mm(x1)



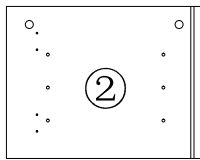
336x469x18mm(x1)



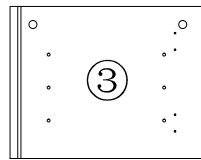
380x1500x18mm(x1)



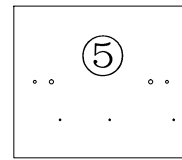
288x483x18mm(x1)



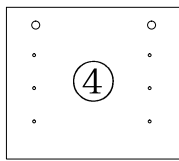
294x378x18mm(x1)



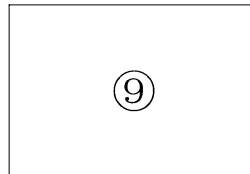
294x378x18mm(x1)



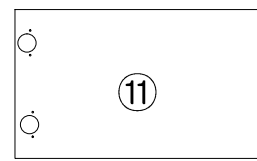
294x337x18mm(x1)



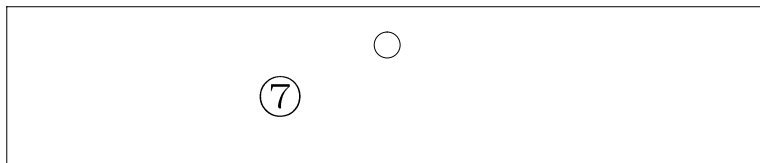
294x337x18mm(x1)



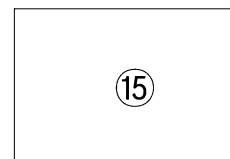
330x476x15mm(x1)



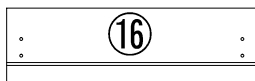
288x483x18mm(x1)



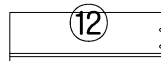
304x1472x3.9mm(x1)



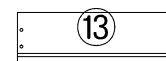
295x423x3.9mm(x1)



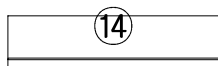
146x484x18mm(x1)



100x300x15mm(x1)






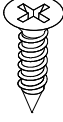

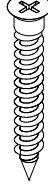
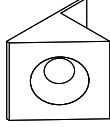
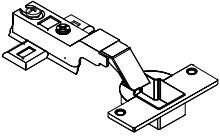
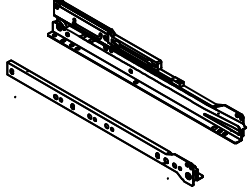
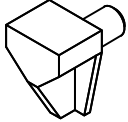




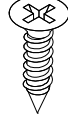
100x300x15mm(x1)



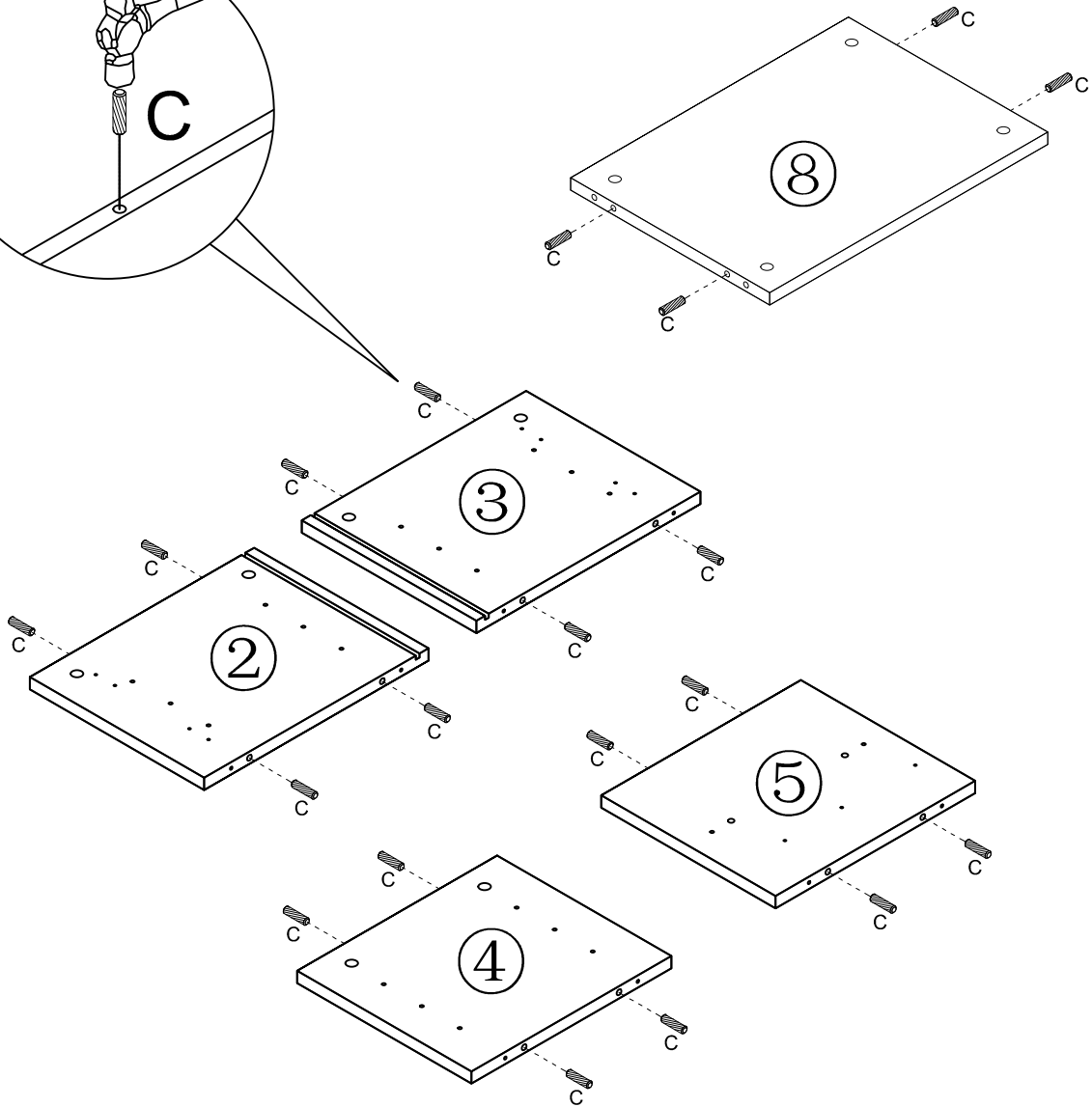
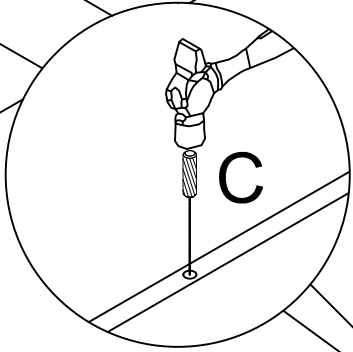
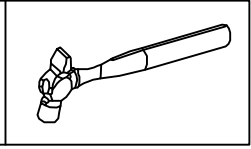
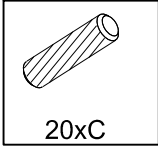
100x413x15mm(x1)



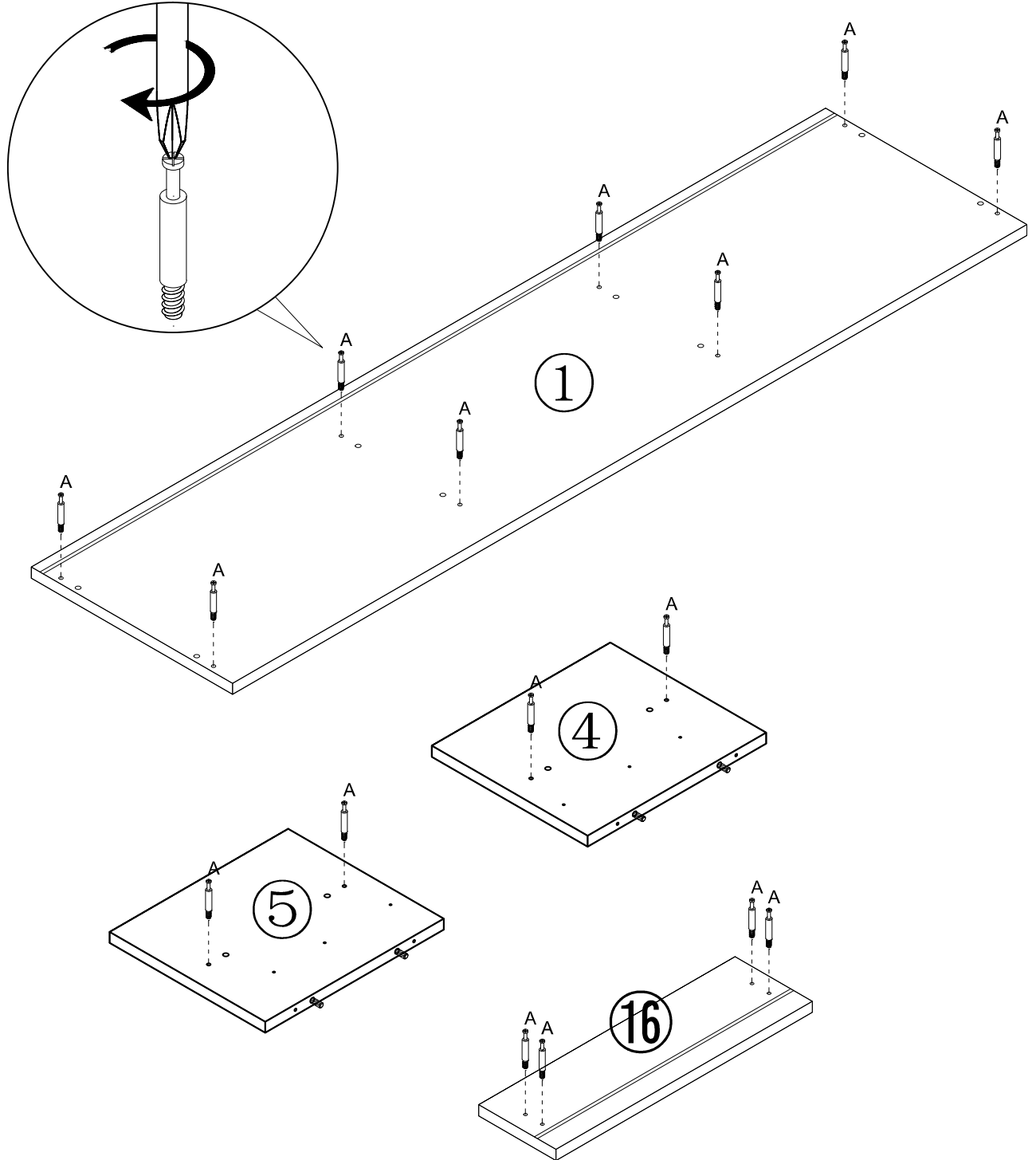
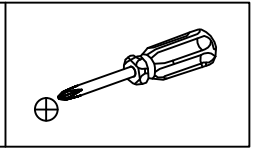
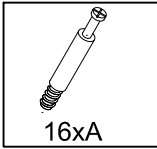
Ø40x120mm(x4)

 <p>φ7x43mm 16xA</p>	 <p>φ15x11.5mm 16xB</p>	 <p>φ8x30mm 20xC</p>	 <p>φ4x16mm 20xD</p>
 <p>φ4x30mm 4xE</p>	 <p>φ5x38mm 8xF</p>	 <p>4xG</p>	 <p>φ35mm 4xH</p>
 <p>L:300mm 1xJ</p>	 <p>φ5mm 8xK</p>	 <p>M6x70mm 8xL</p>	 <p>M4 1xM</p>
 <p>φ18mm 8xN</p>	 <p>φ3.5x12mm 8xP</p>	 <p>φ4x20mm 2xQ</p>	

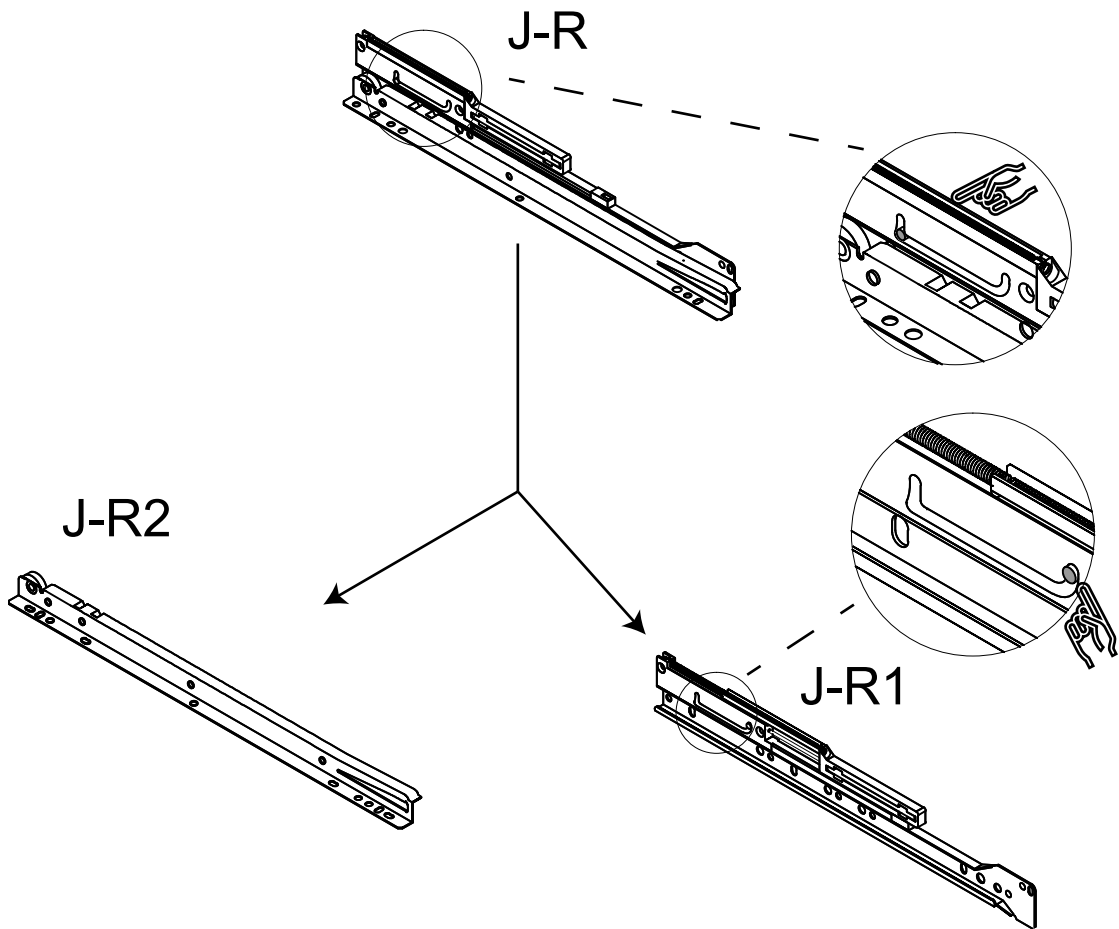
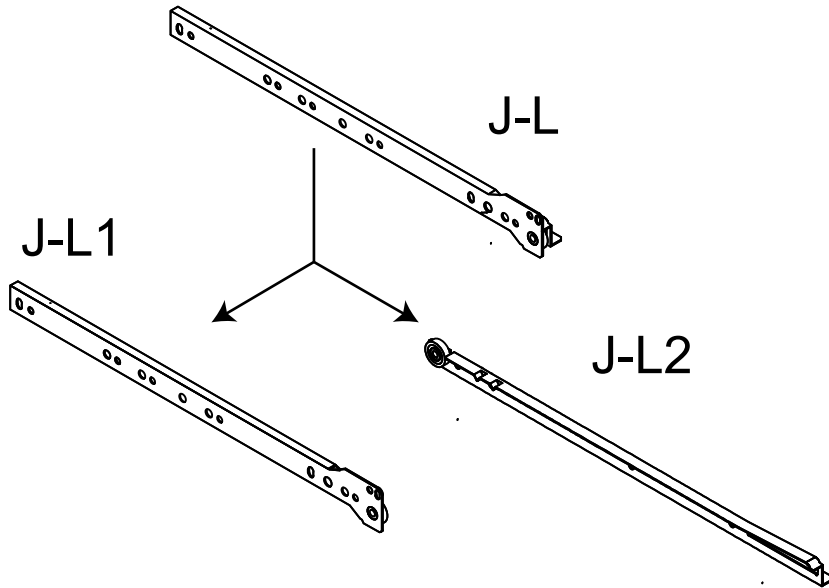
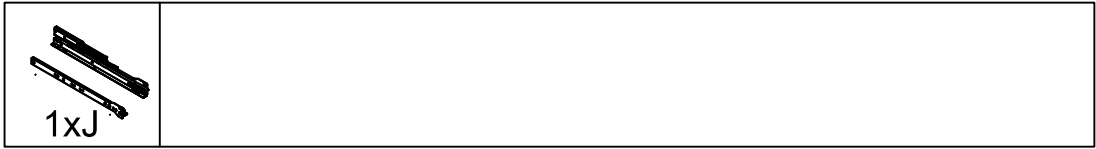
1



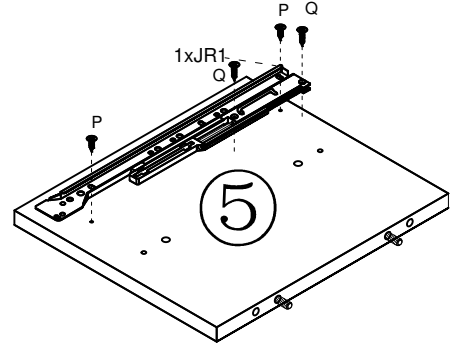
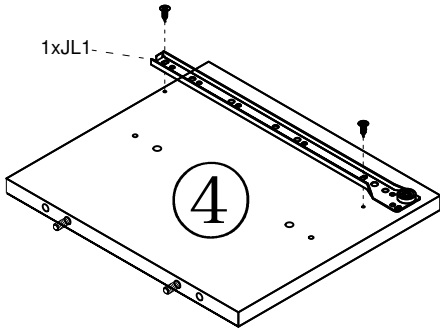
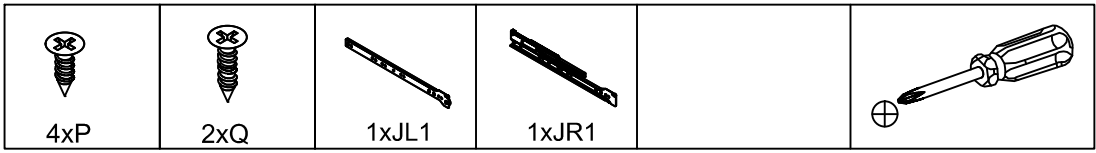
2



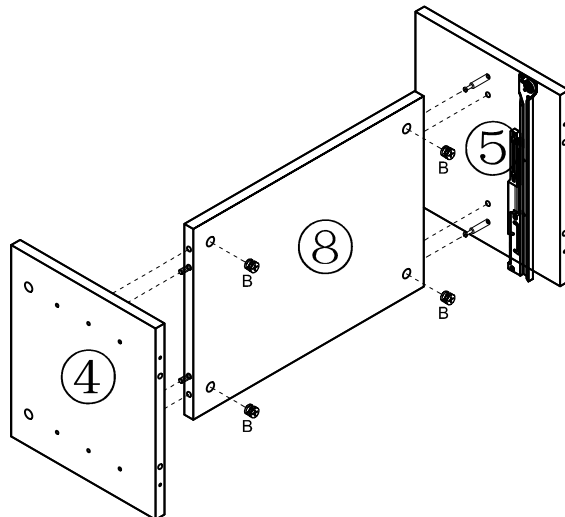
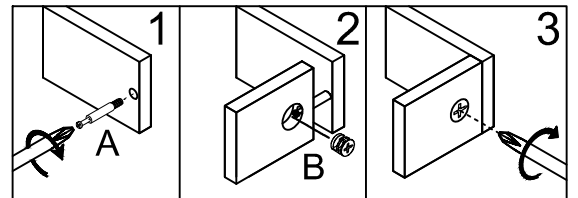
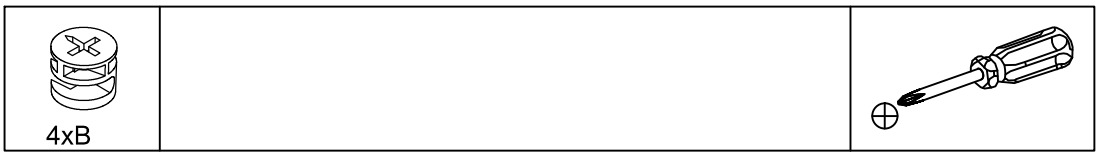
3



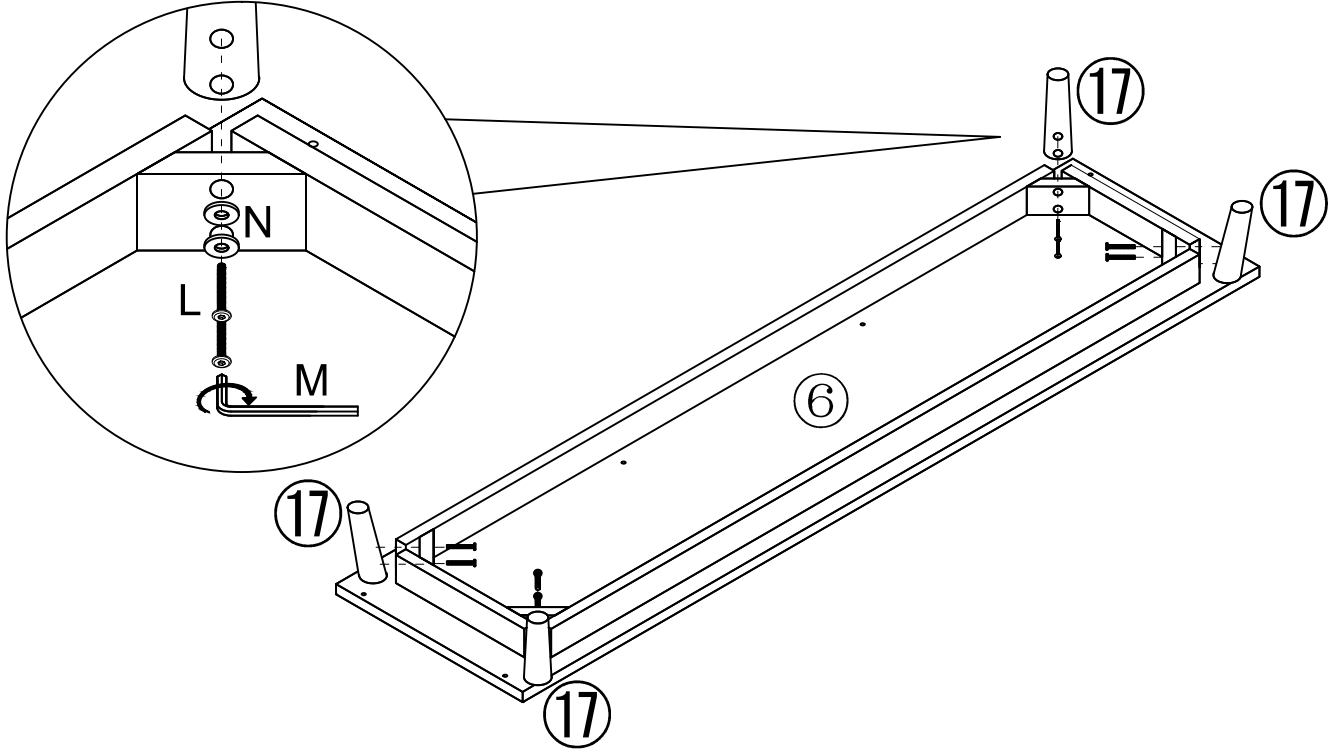
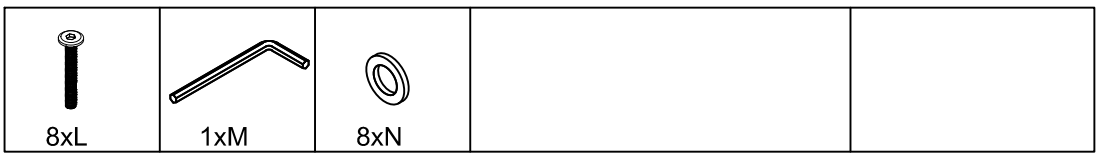
4



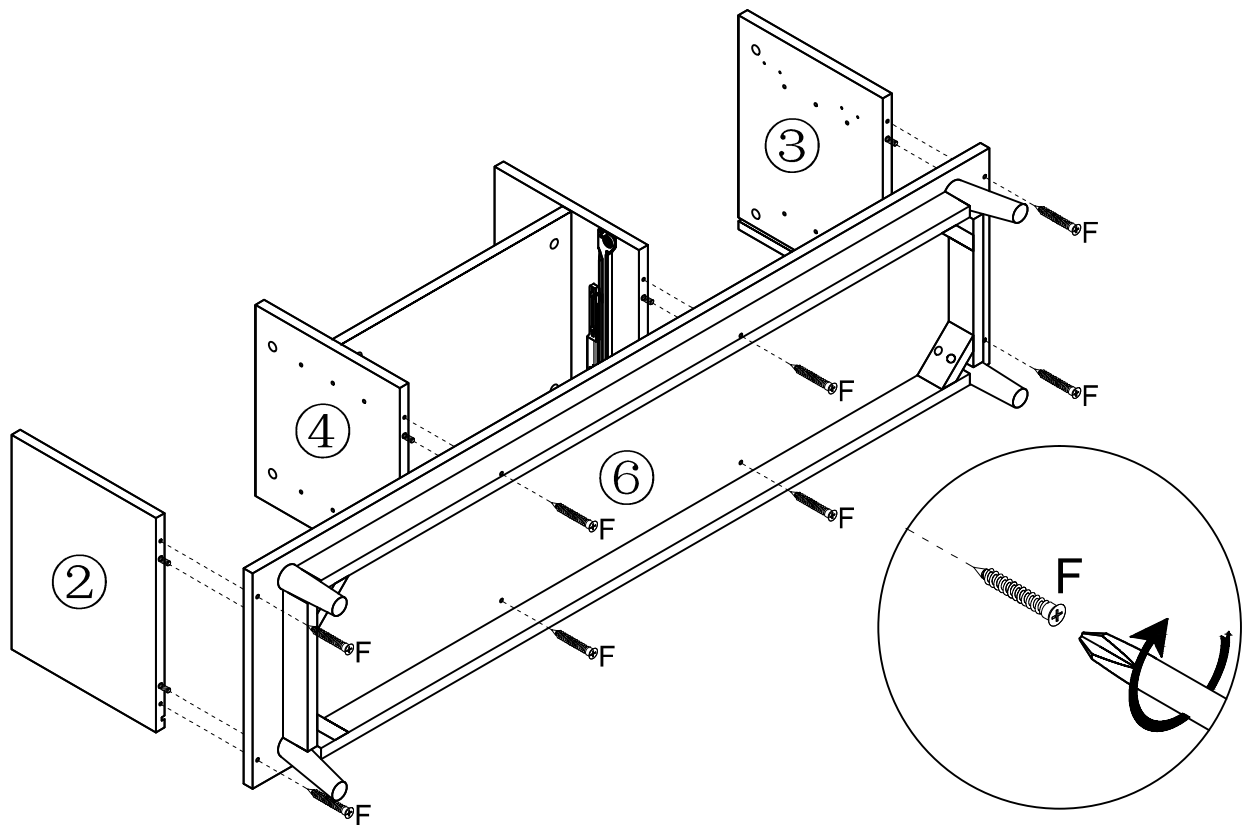
5



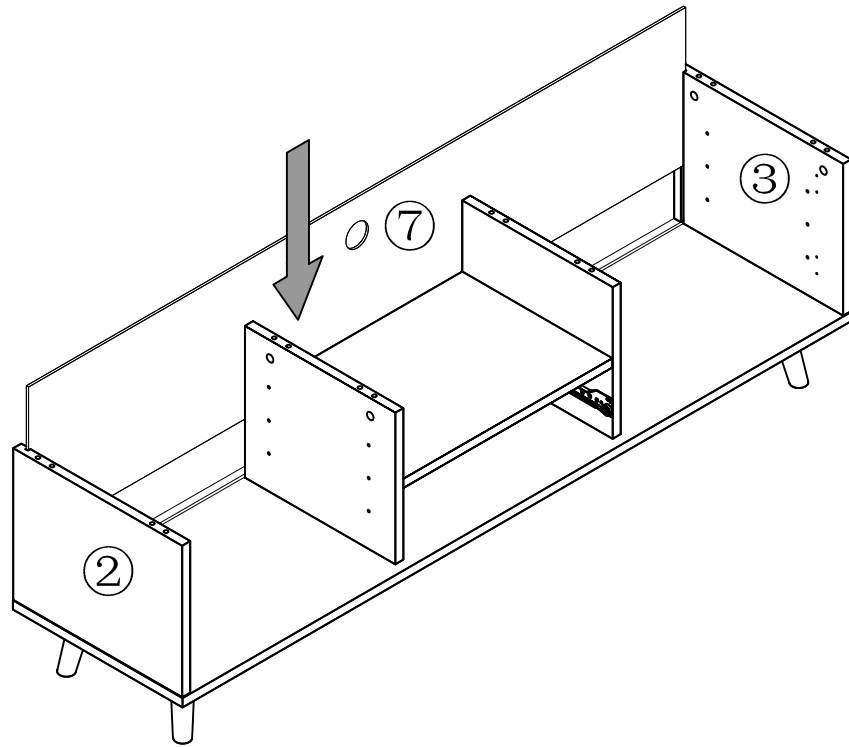
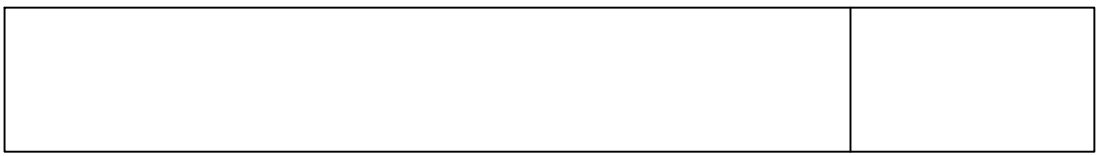
6



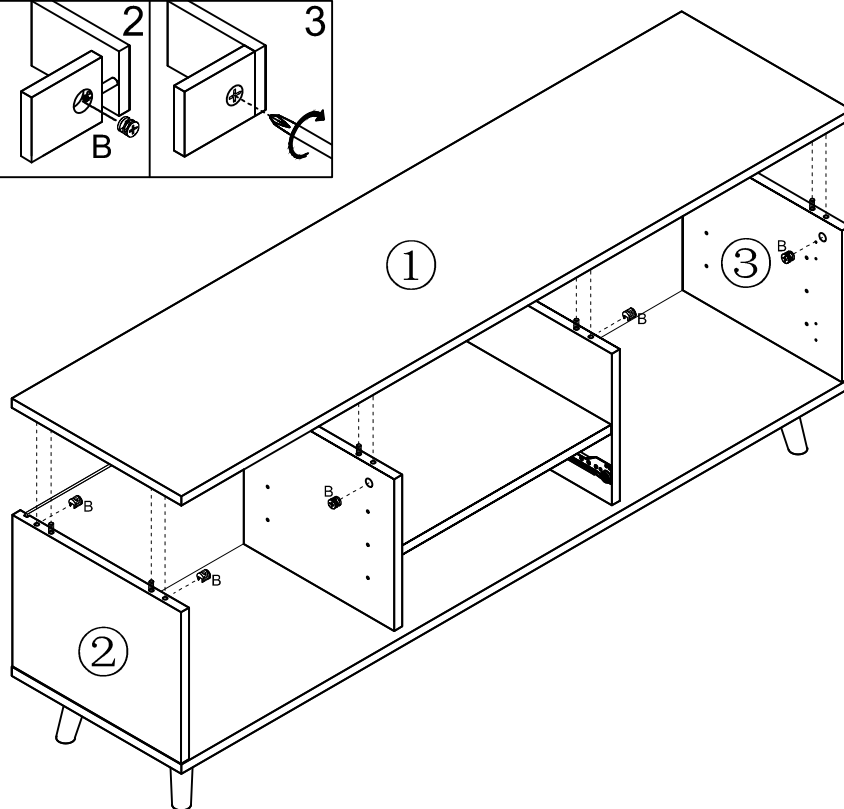
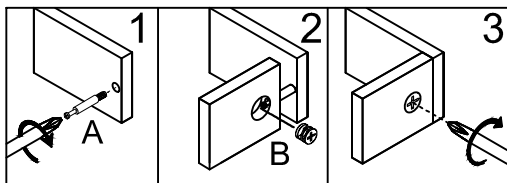
7



8



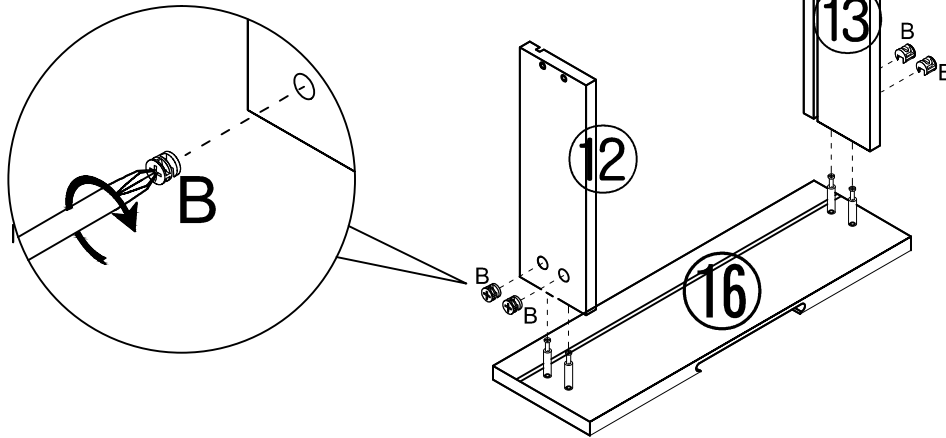
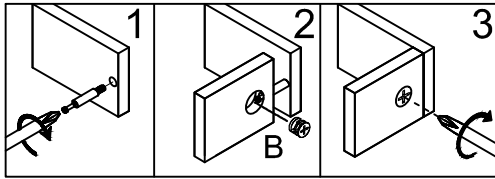
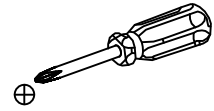
9



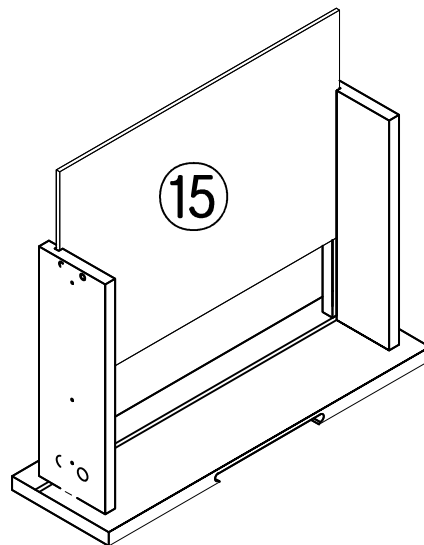
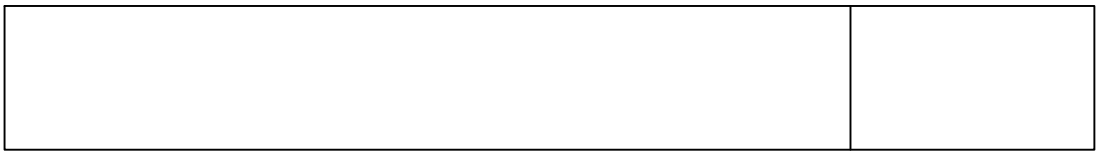
10



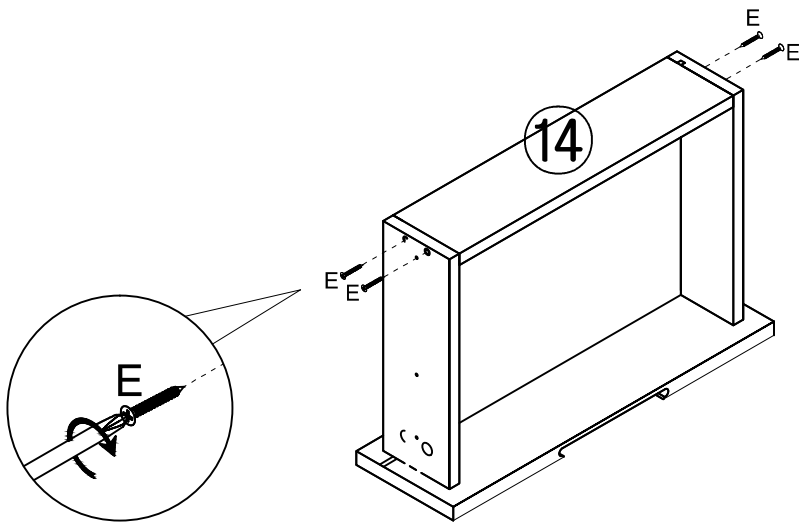
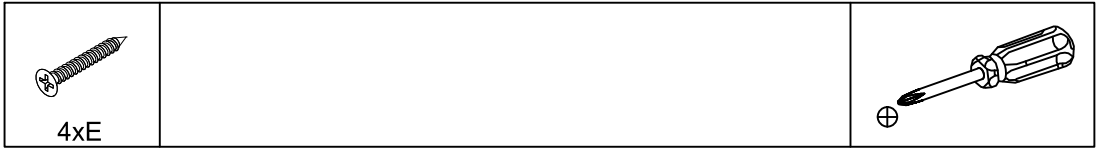
4xB



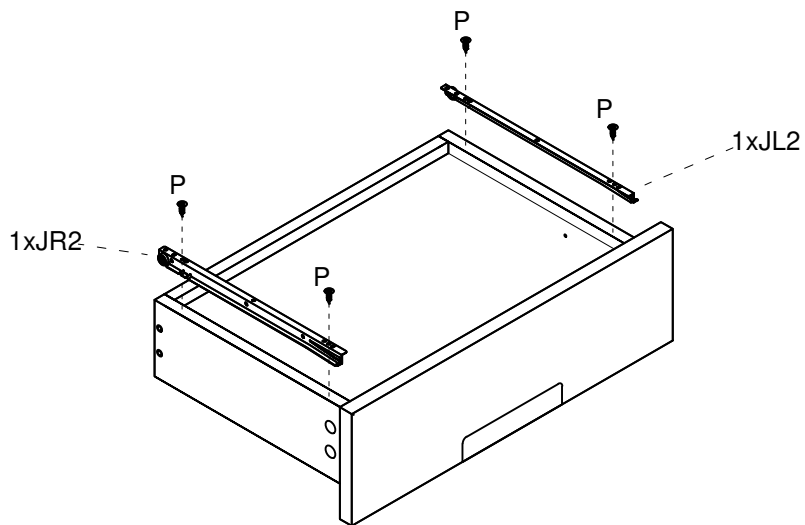
11



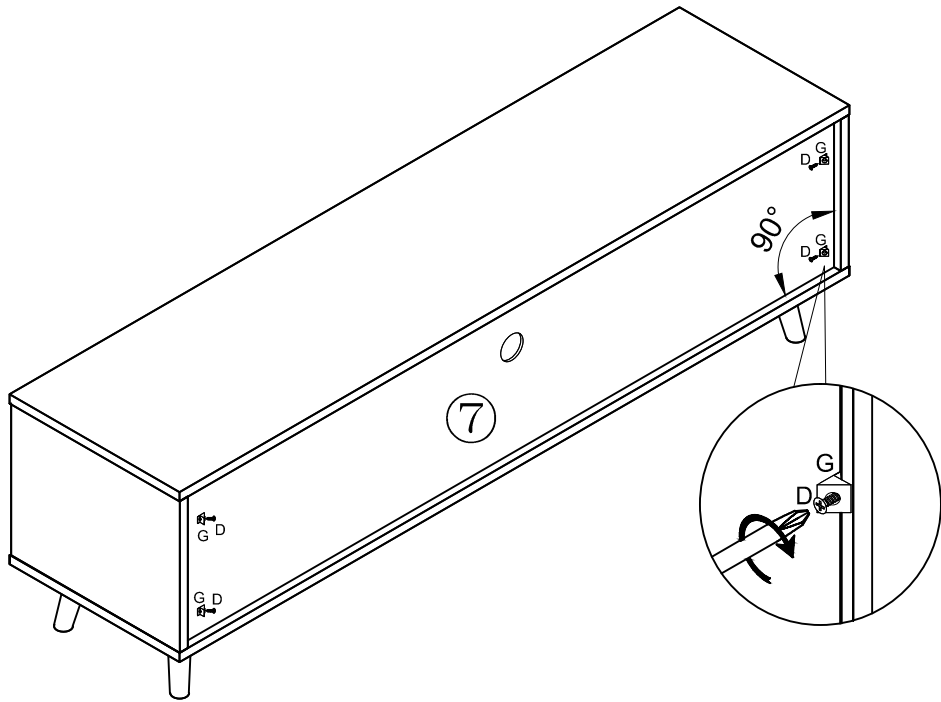
12



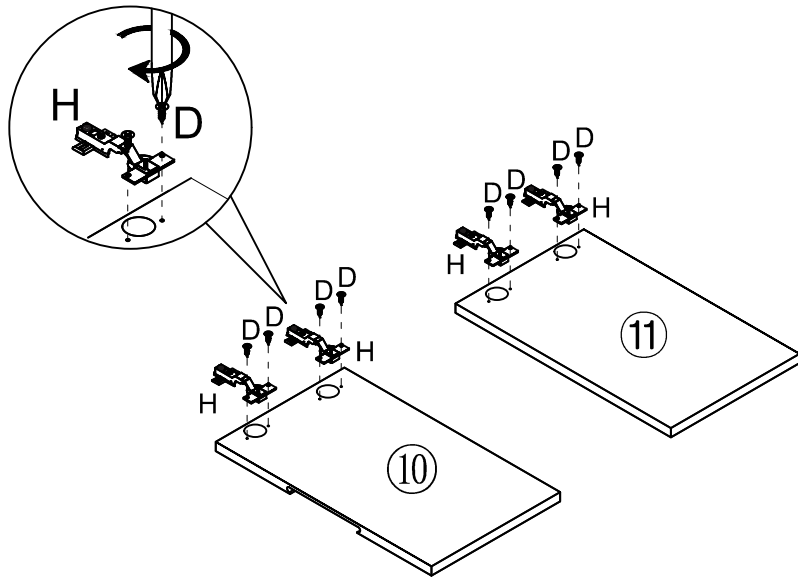
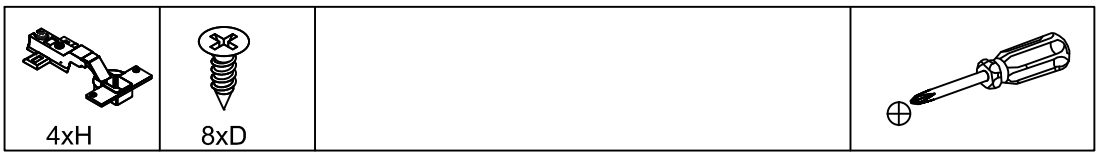
13



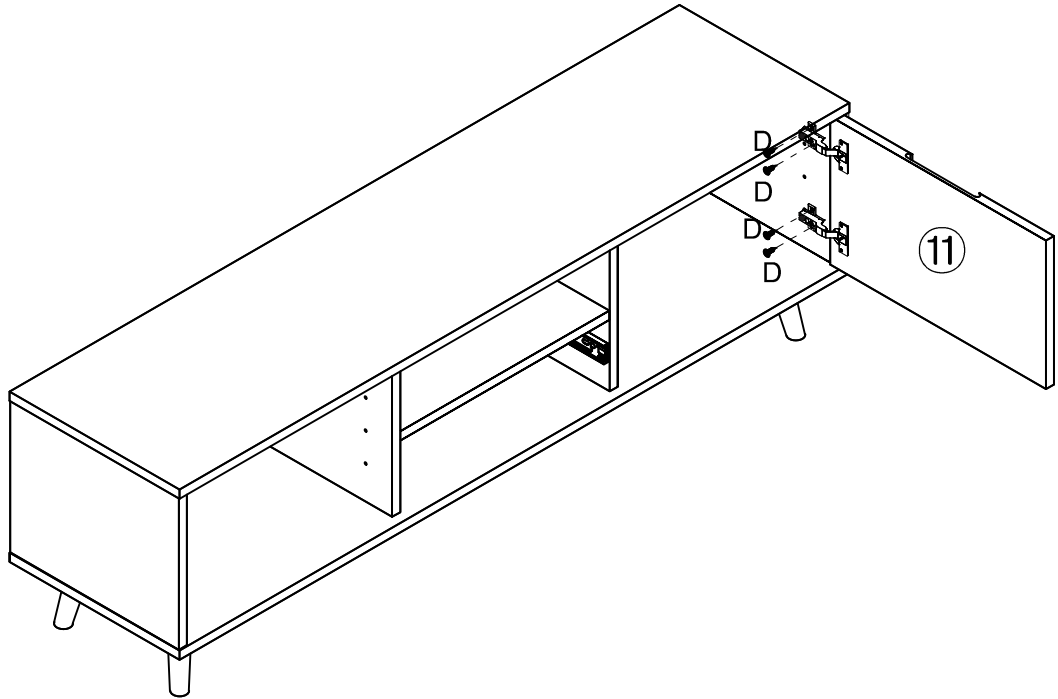
14



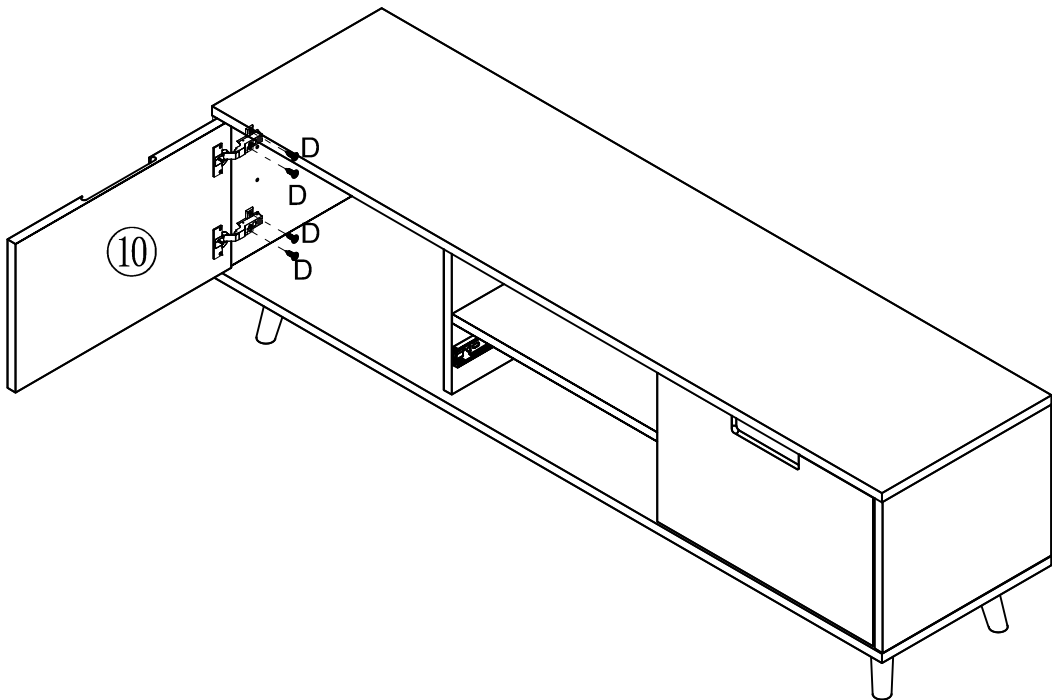
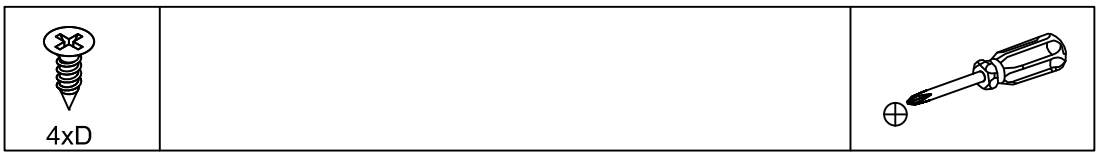
15



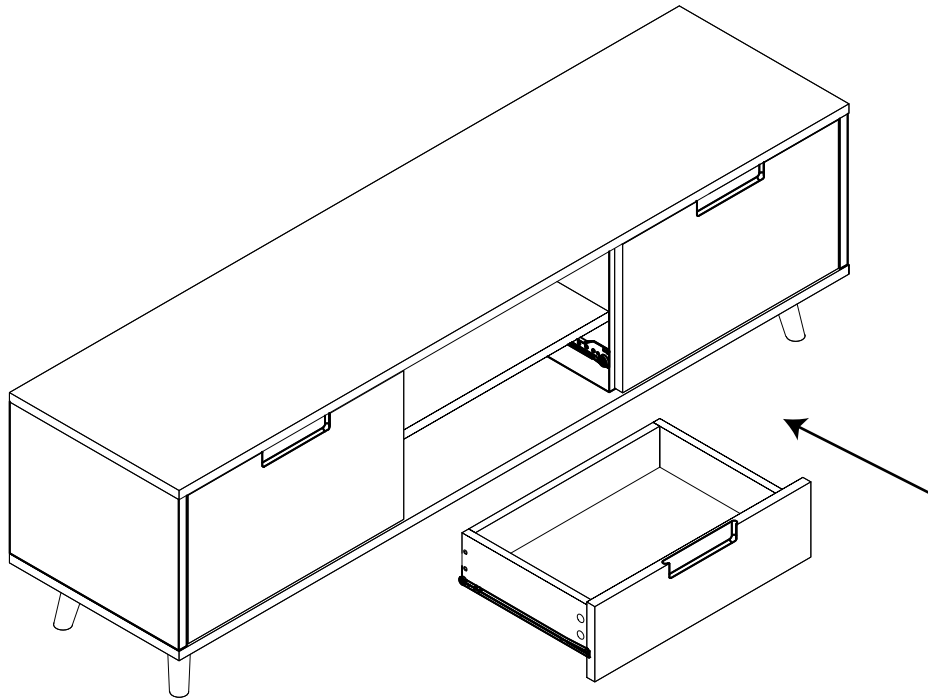
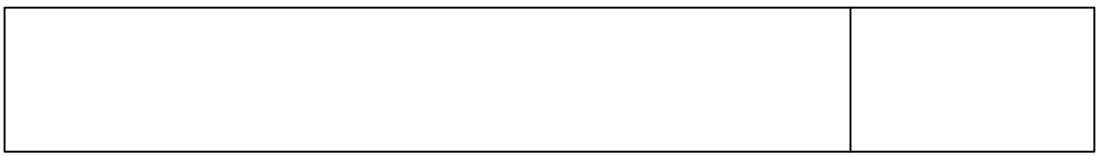
16



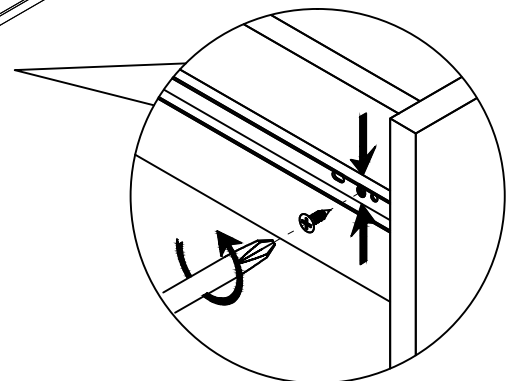
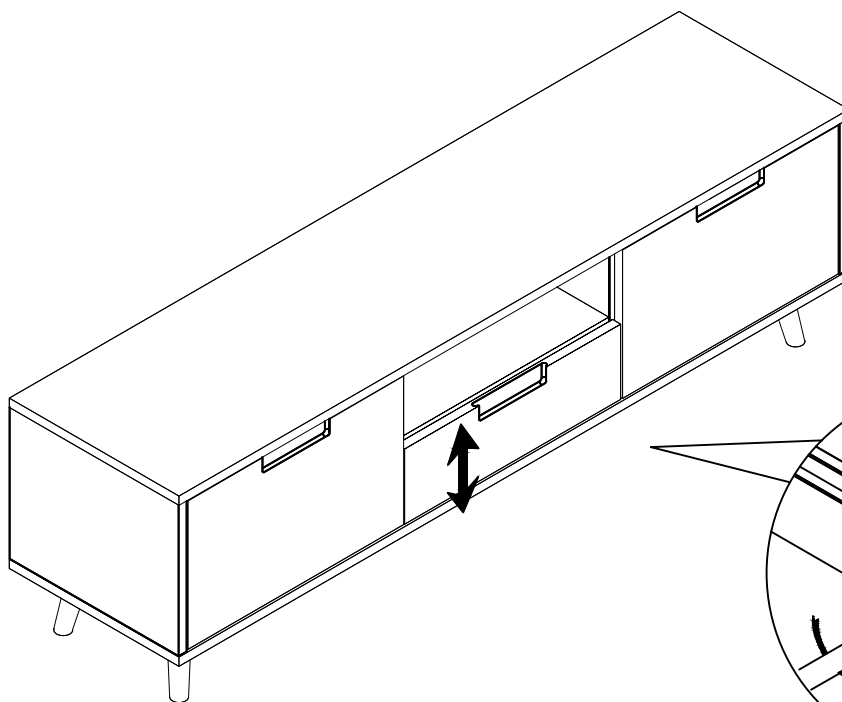
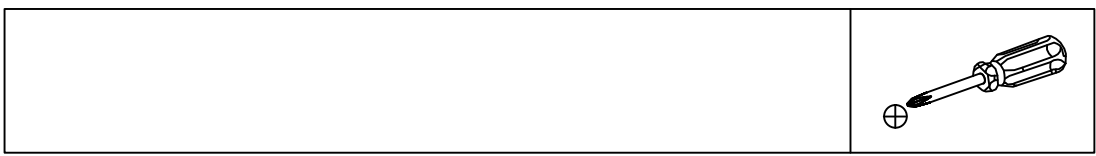
17

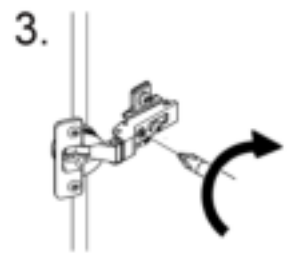
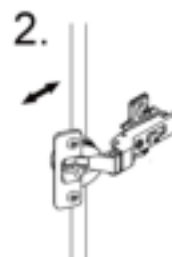
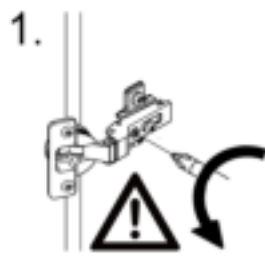
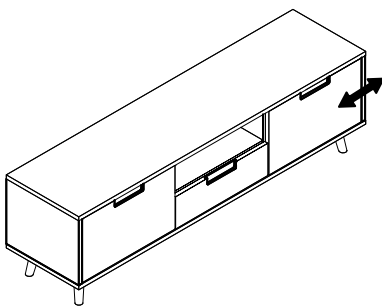
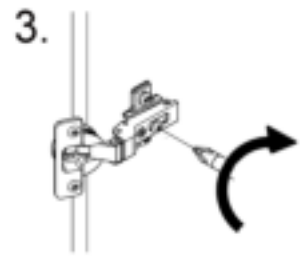
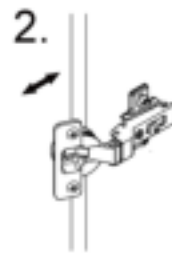
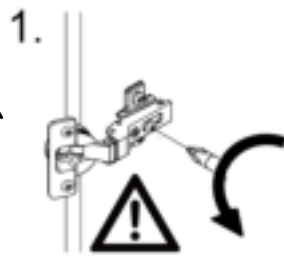
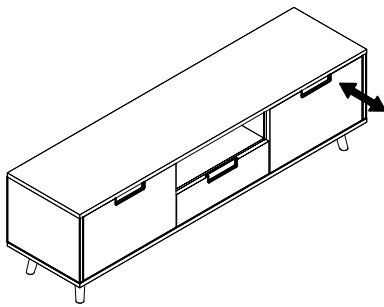
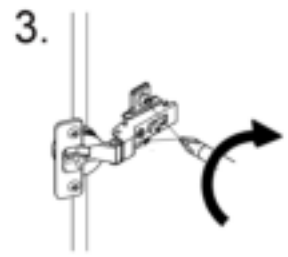
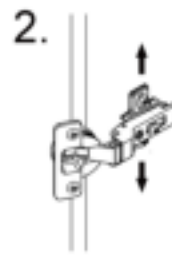
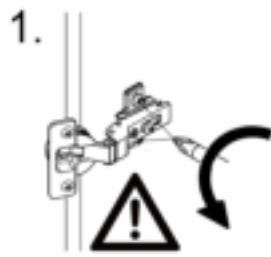
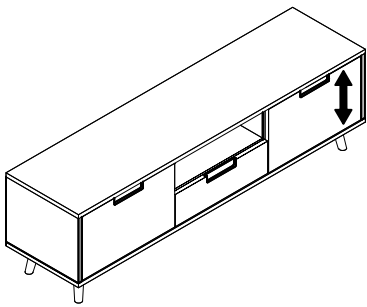


18



19

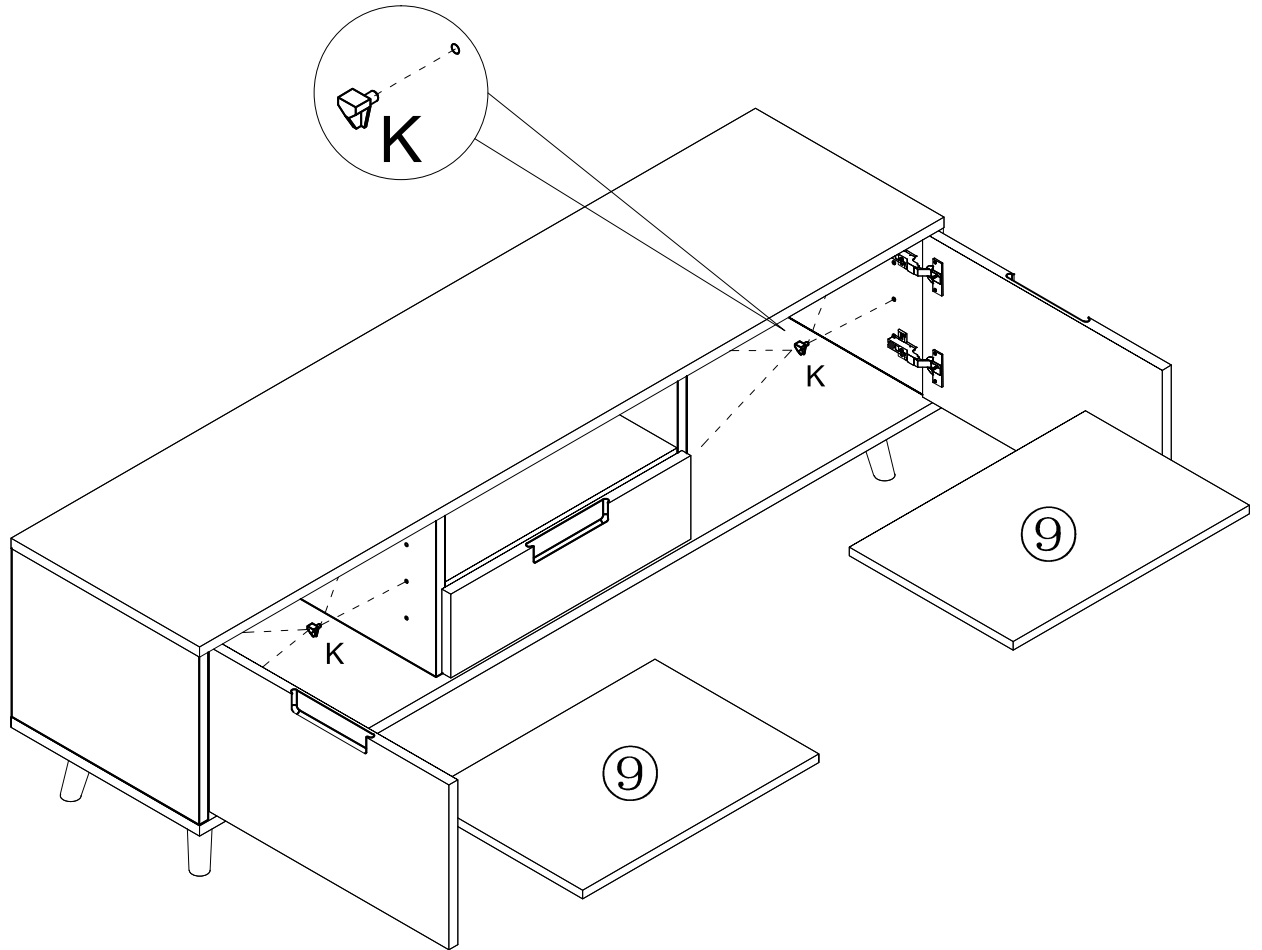




20



8xK



21

