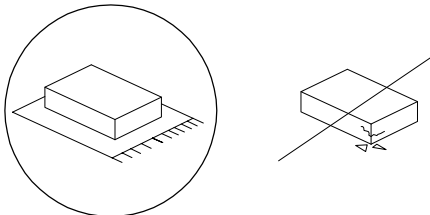


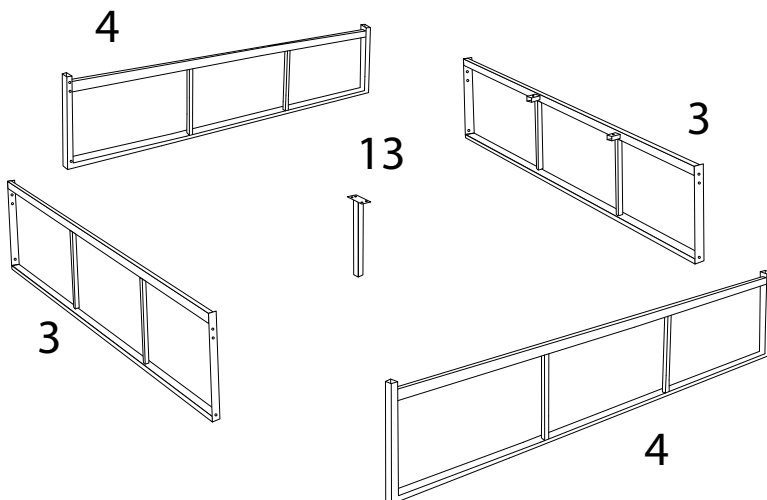
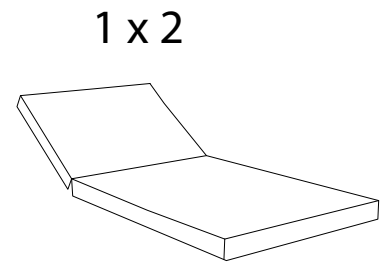
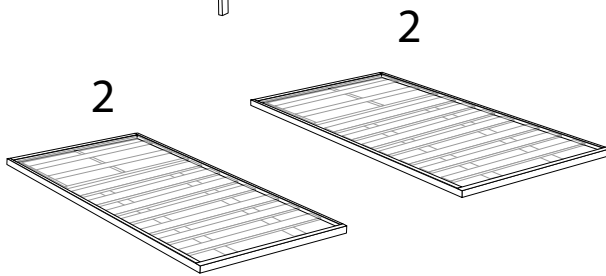
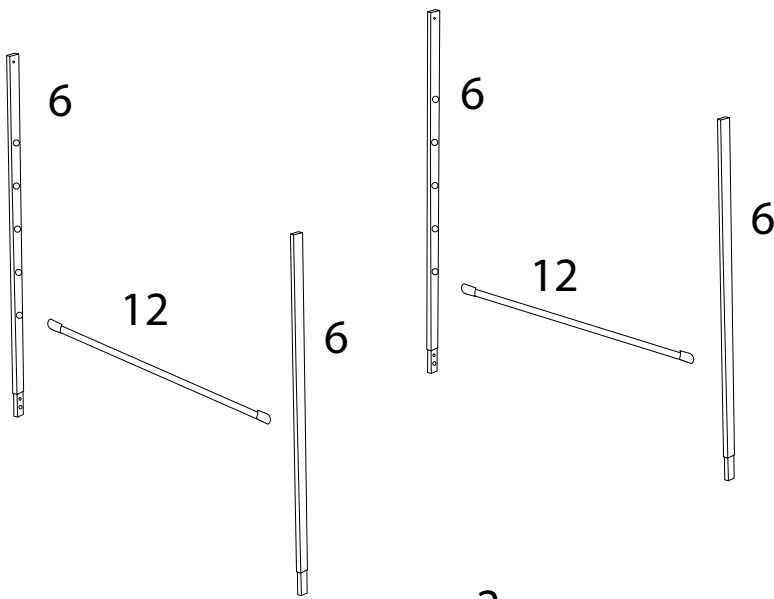
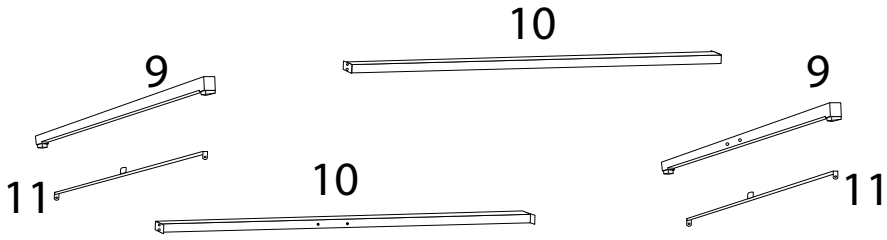
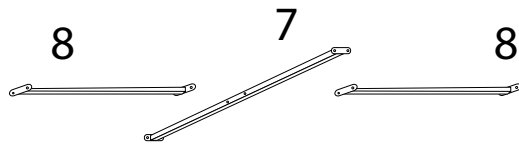
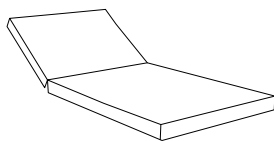

		60'
		
		2

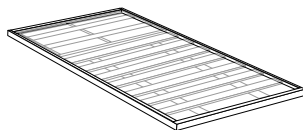


1



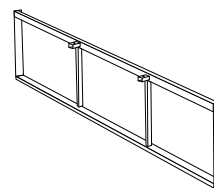
x 2

2



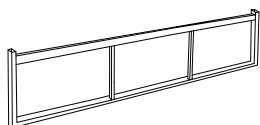
x 2

3



x 2

4



x 2

5



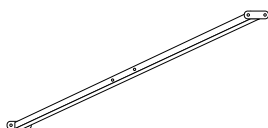
x 2

6



x 4

7



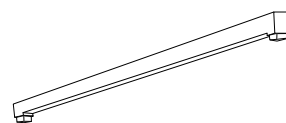
x 1

8



x 2

9



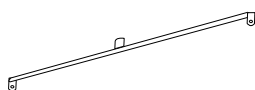
x 2

10



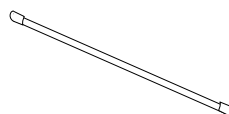
x 2

11



x 2

12



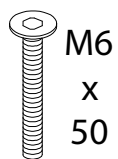
x 2

13



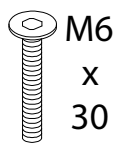
x 1

A



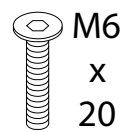
x 2

B



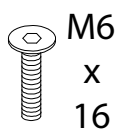
x 16

C



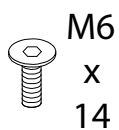
x 8

D



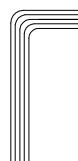
x 24

E



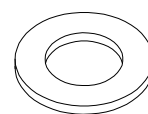
x 4

F



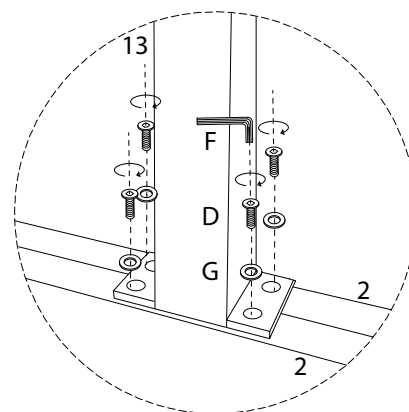
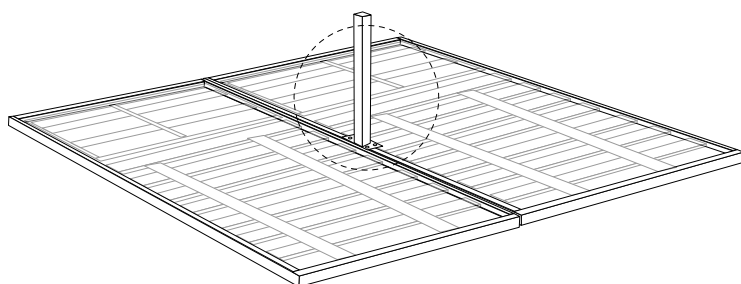
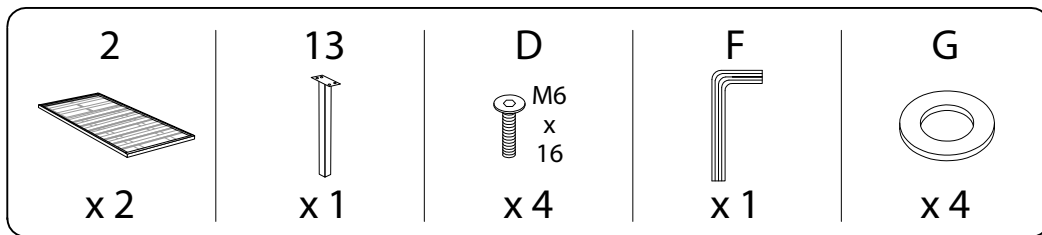
x 1

G

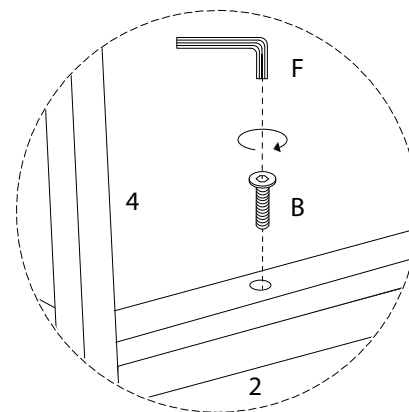
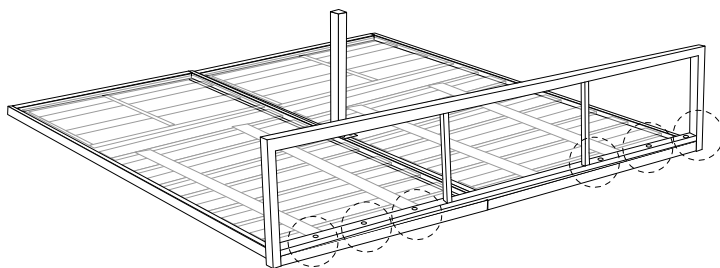
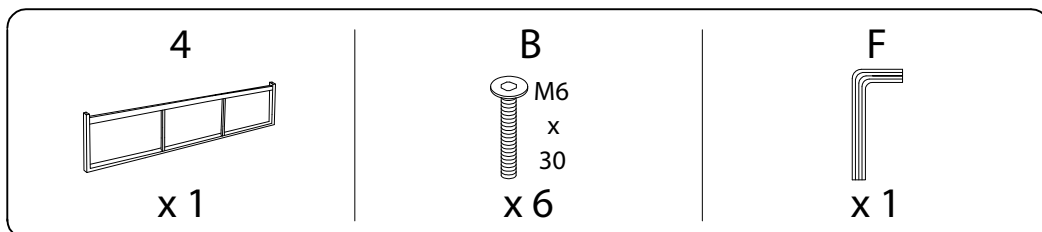


x 34

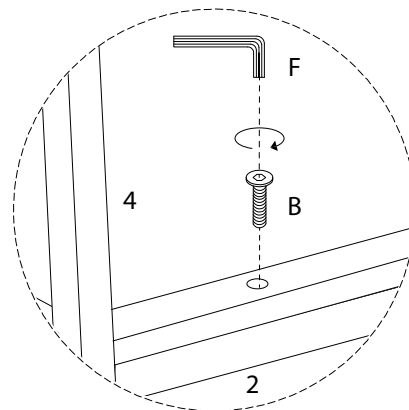
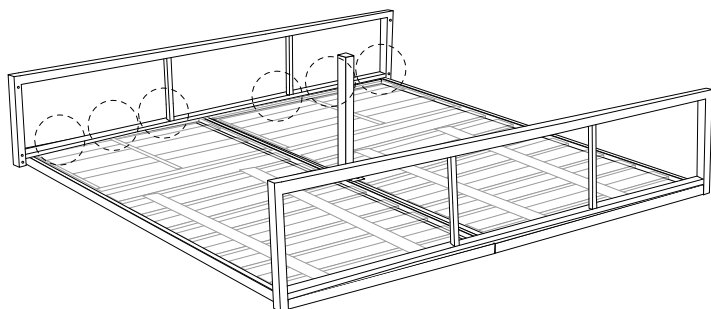
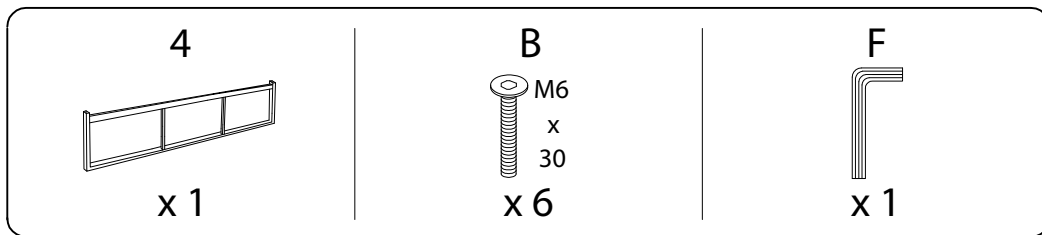
1



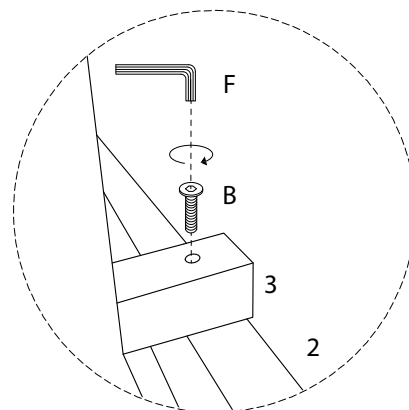
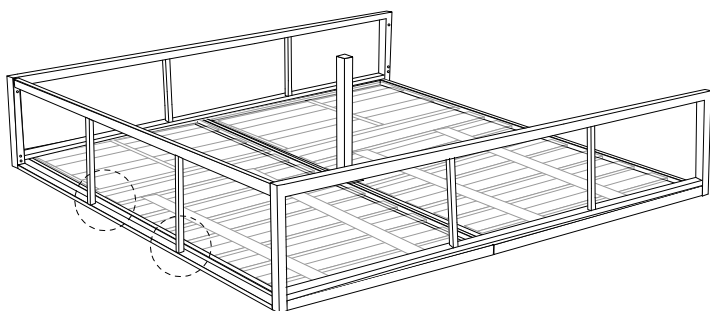
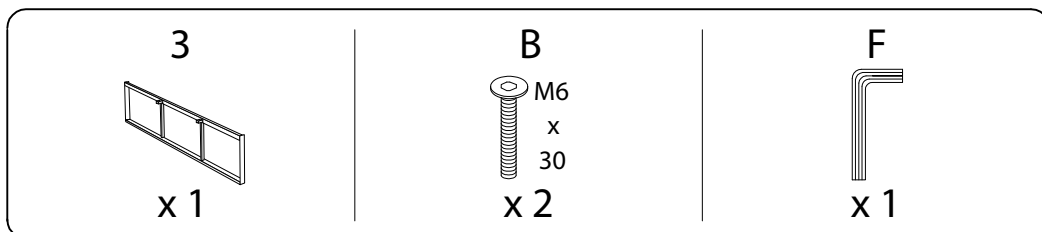
2



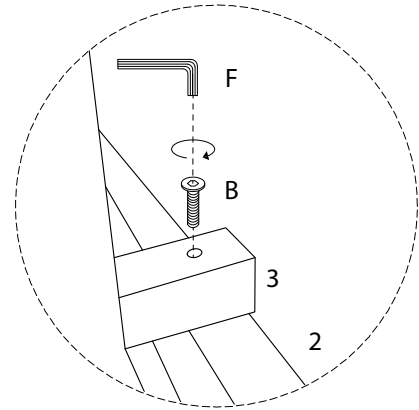
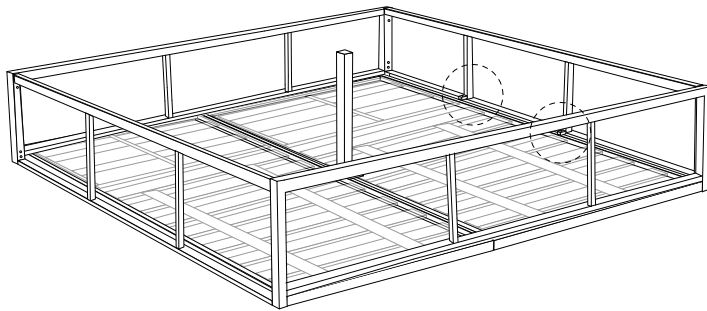
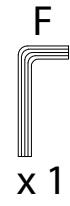
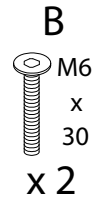
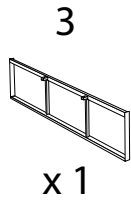
3



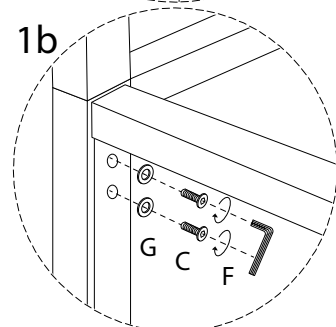
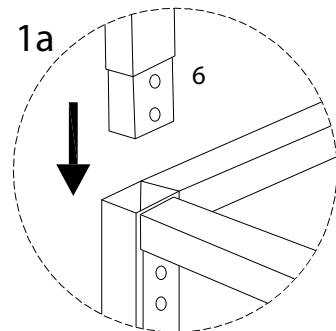
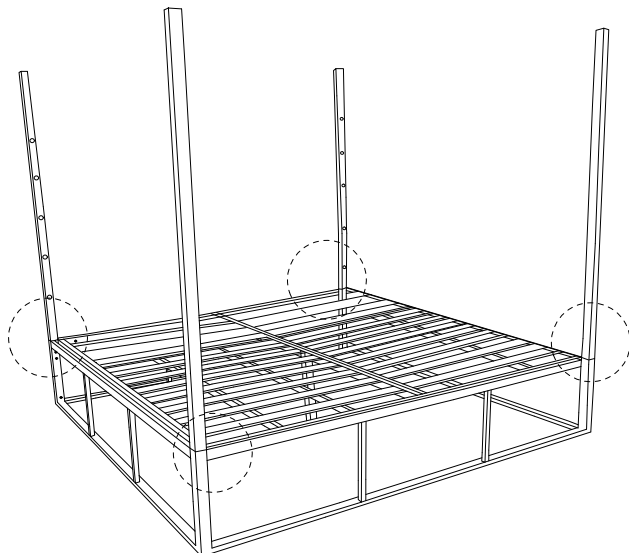
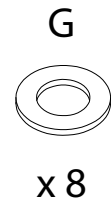
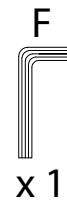
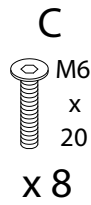
4



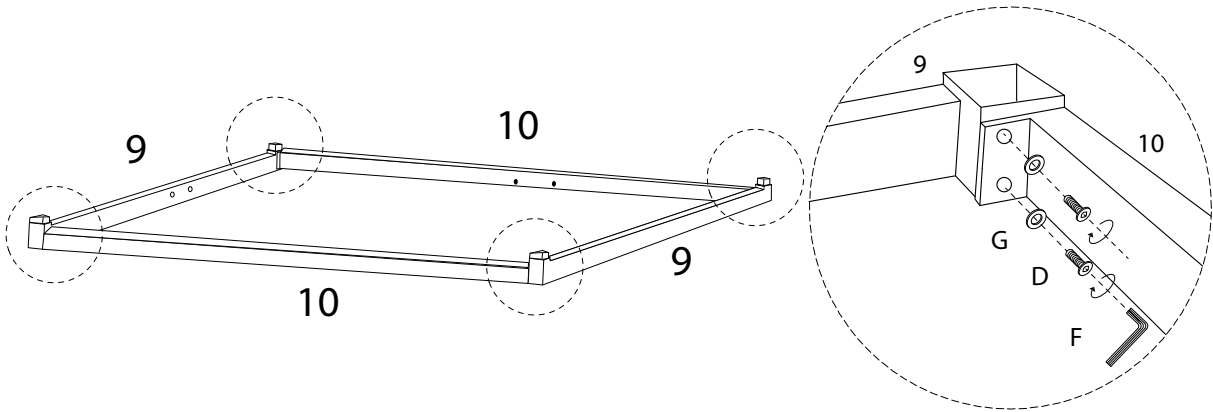
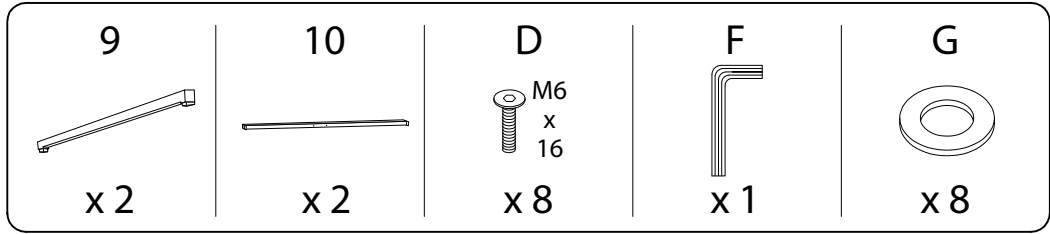
5



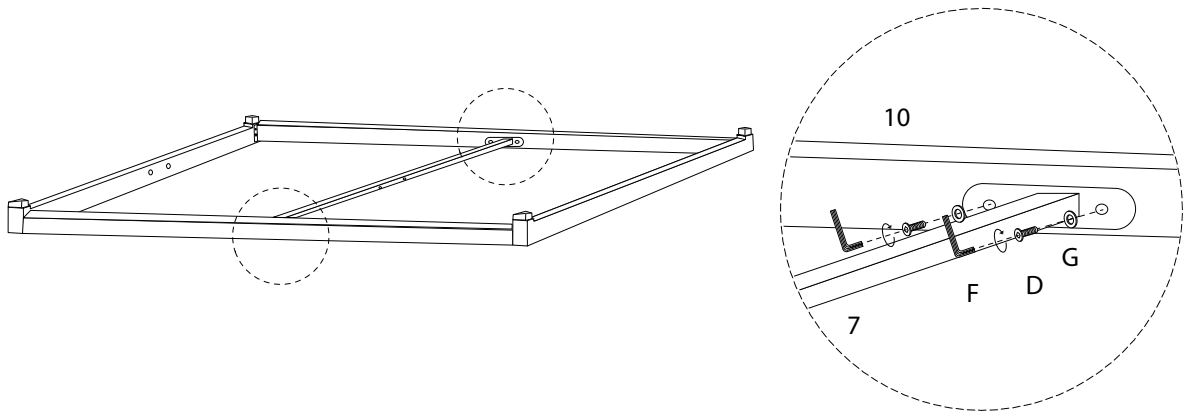
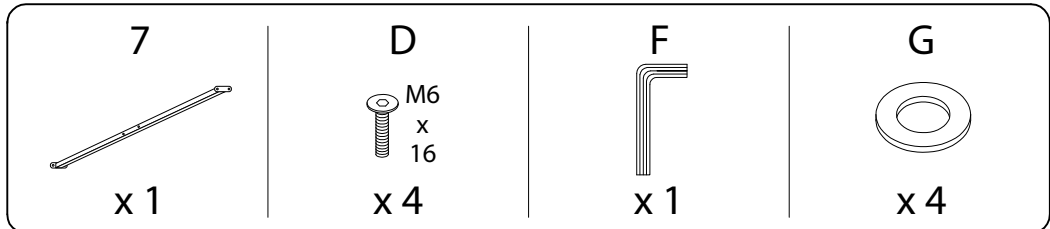
6






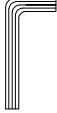
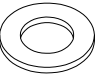
7

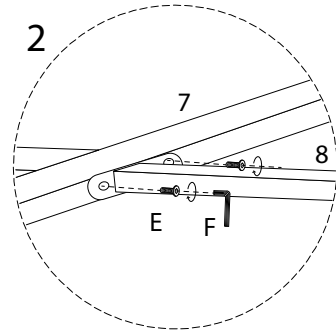
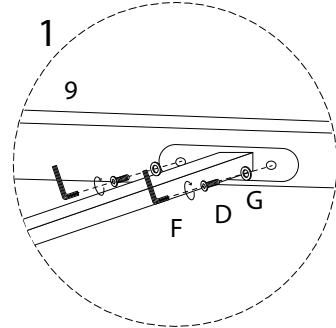
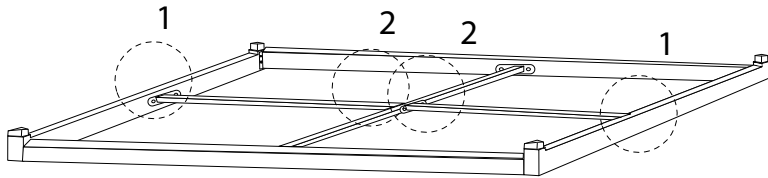


8

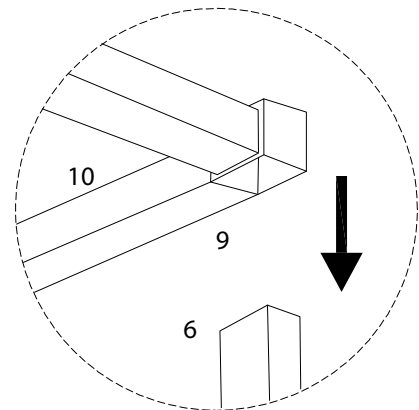
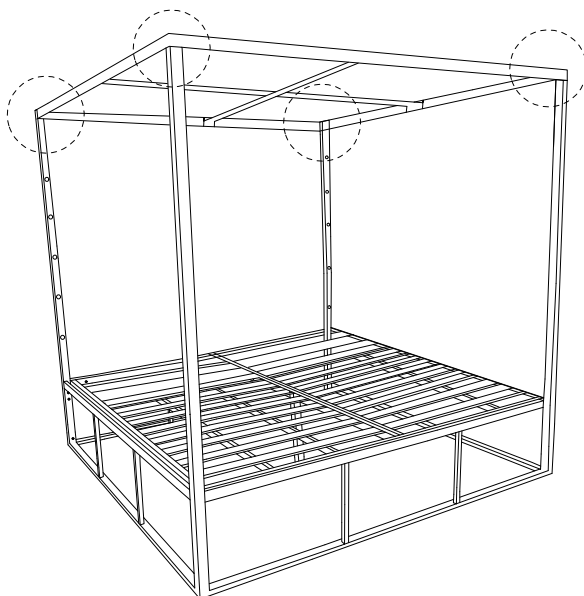


9

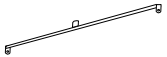
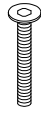

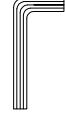
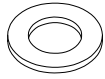
8  x 2	D M6 x 16  x 4	E M6 x 14  x 4	F  x 1	G  x 4
---	--	--	---	---

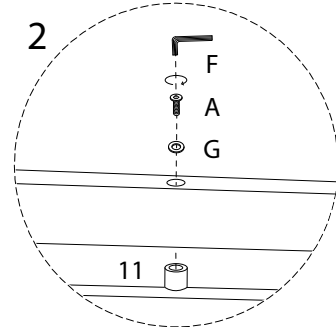
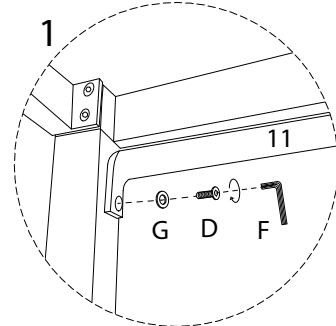
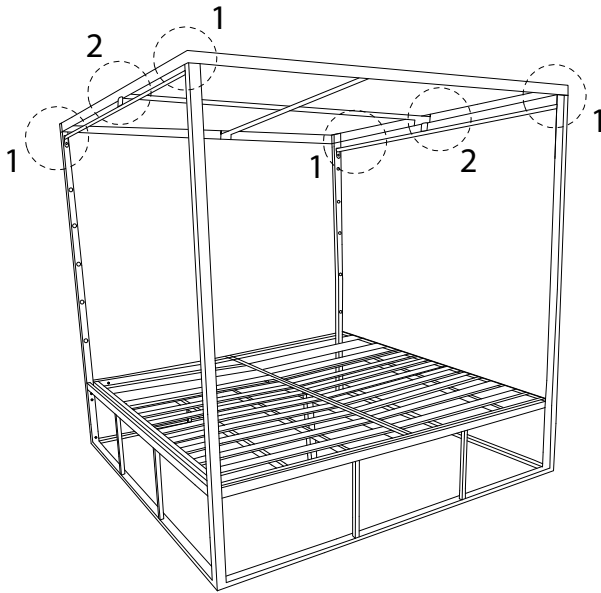


10

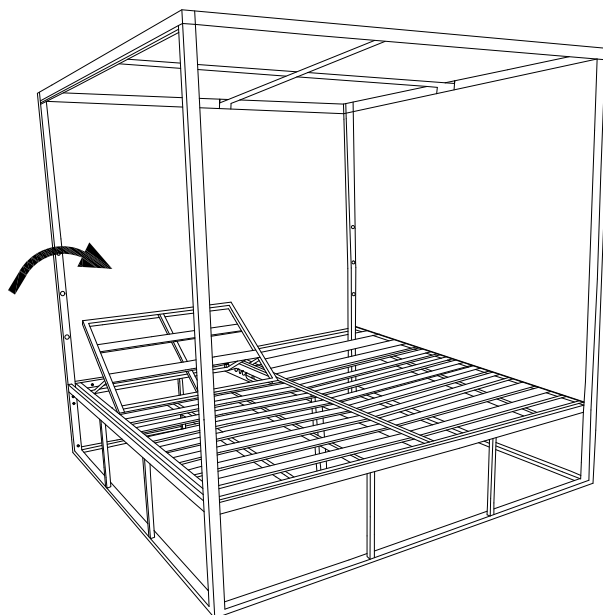


11

11  x 2	A  M6 x 50 x 2	D  M6 x 16 x 4	F  x 1	G  x 6
--	---	---	---	---

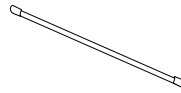


!

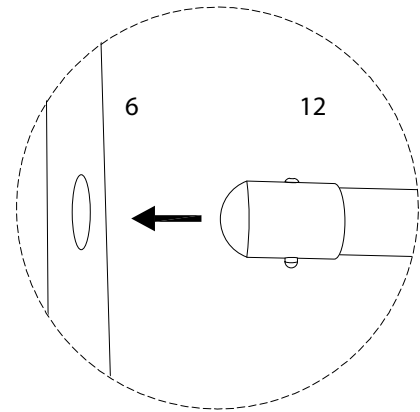
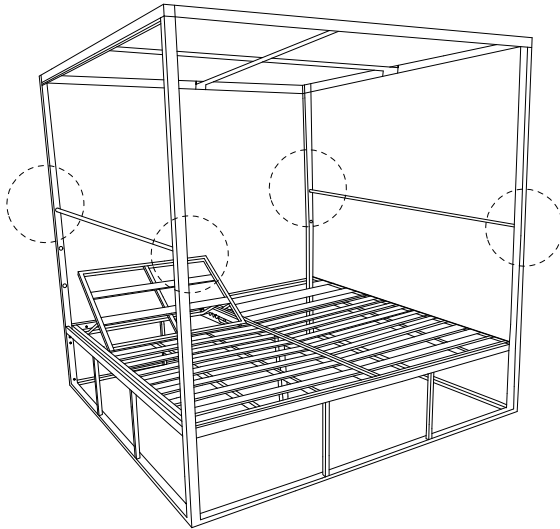


12

12

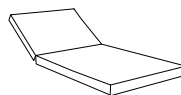


x 2

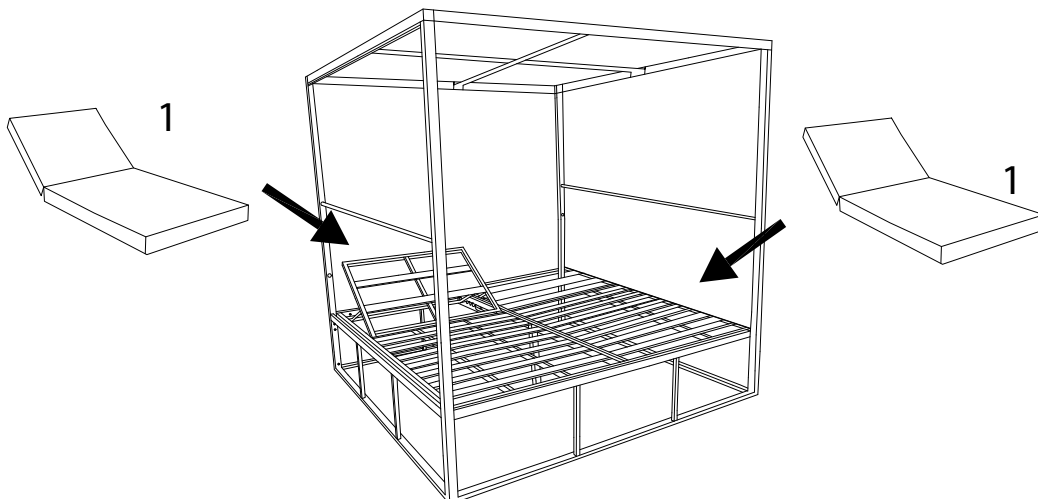


13

1



x 2



14

5



x 2

