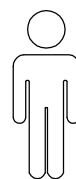
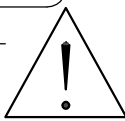
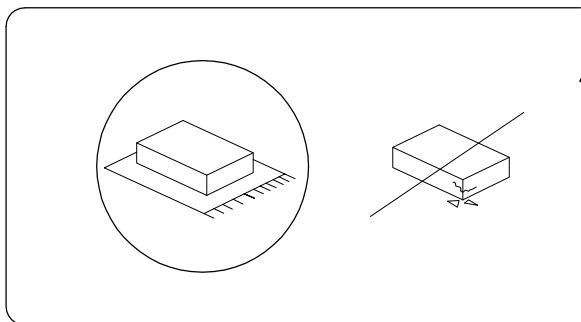
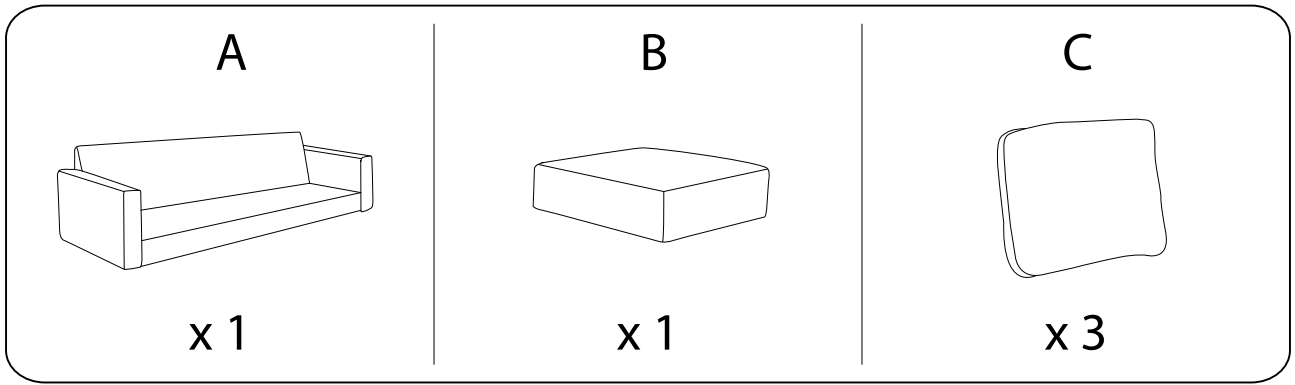


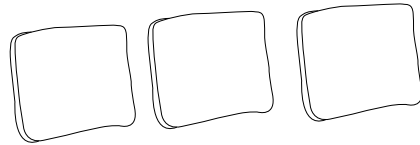
20'



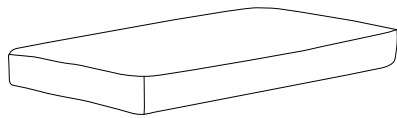
1



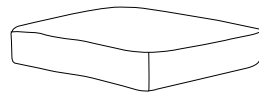
C x 3



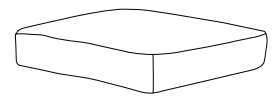
D x 1



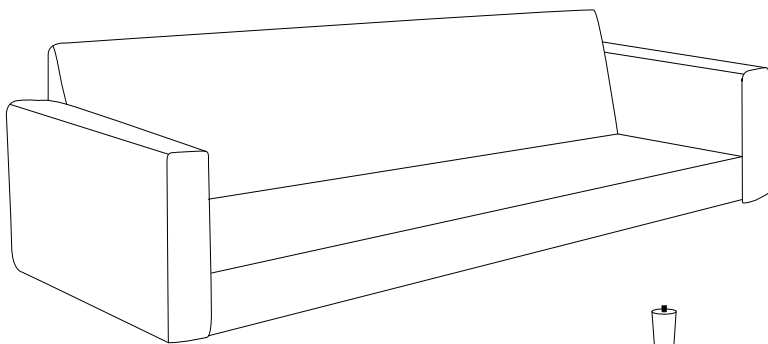
E x 1



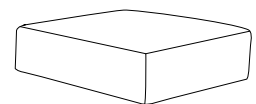
E x 1



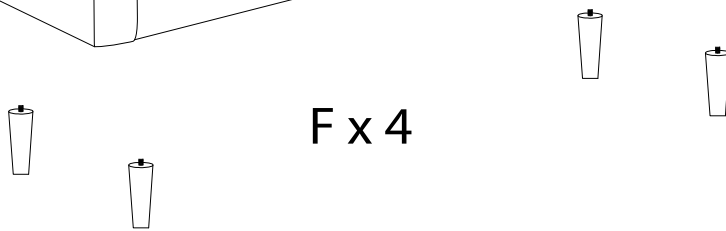
A x 1



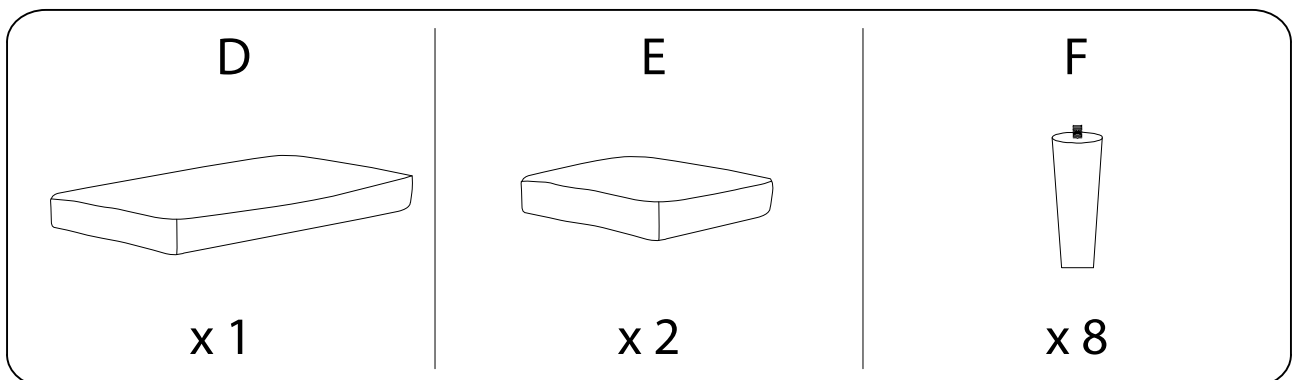
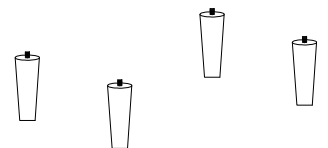
B x 1



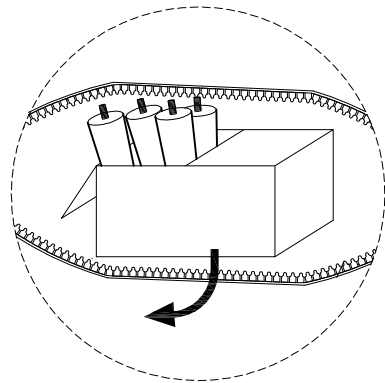
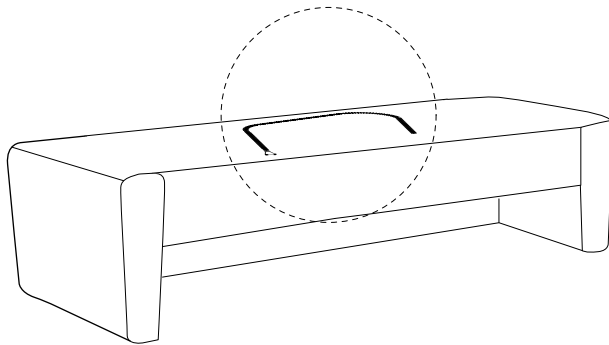
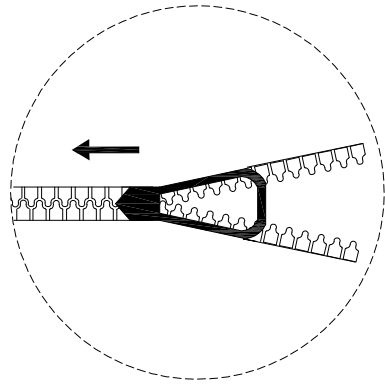
F x 4



F x 4

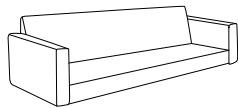


!



1

A

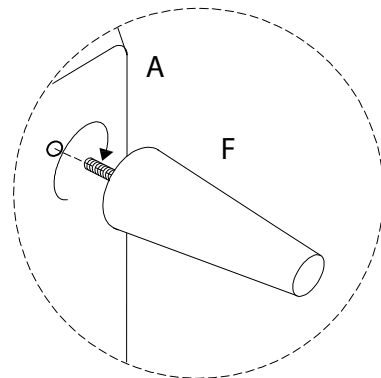
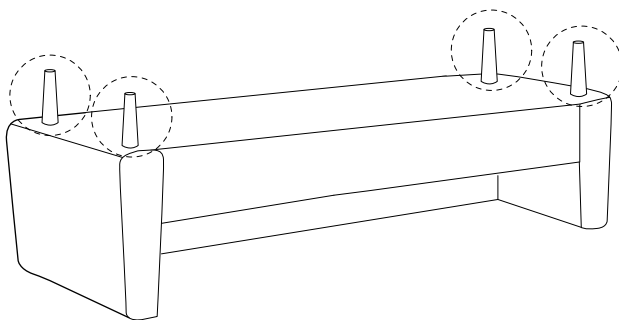


x 1

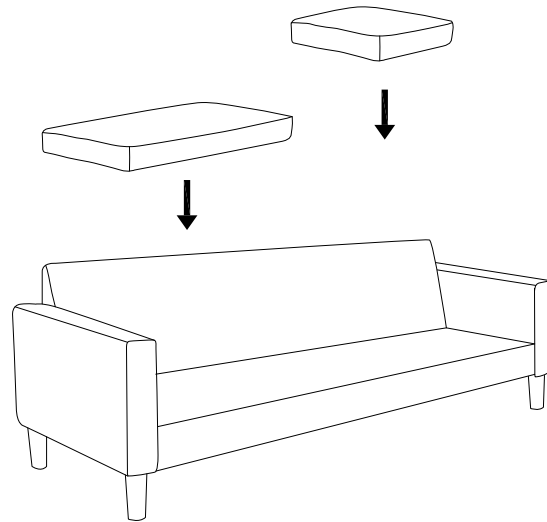
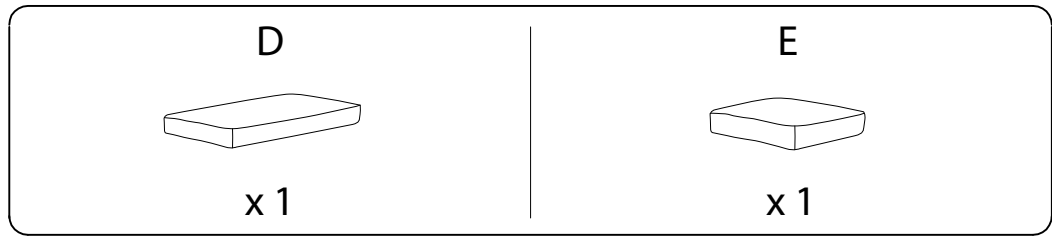
F



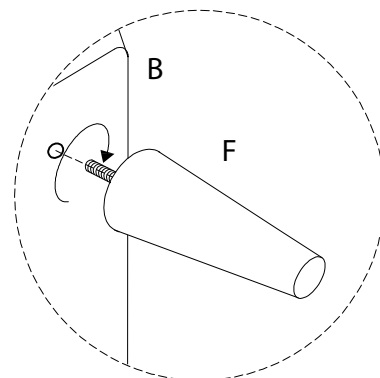
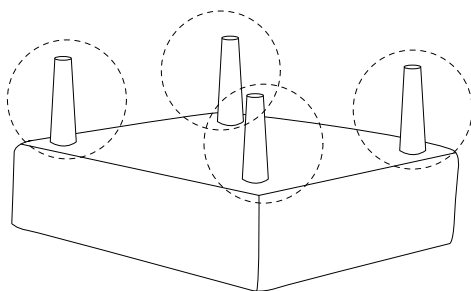
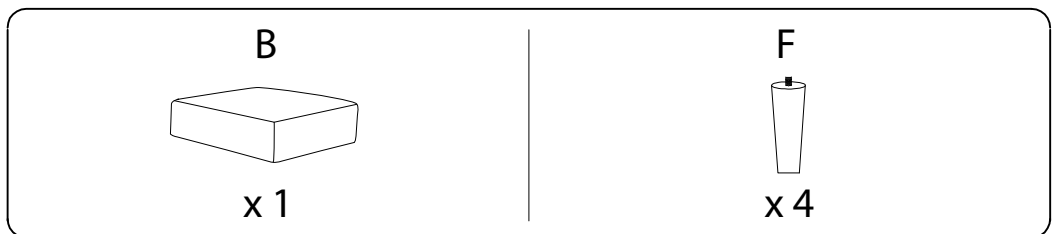
x 4



2

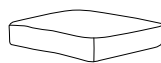


3

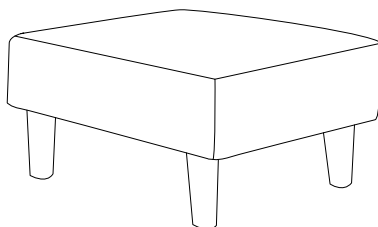
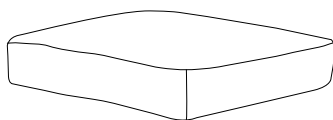


4

E



x 1



5

C



x 3

