

TRIO

LIGHTING FOR YOU



222570231

ELEMENT

230V~50Hz

incl. 1x LED 3W

incl. 2x LED 1,5W

class II

220lm

3000 K

>80 CRI

30000 H

20000x ON/OFF

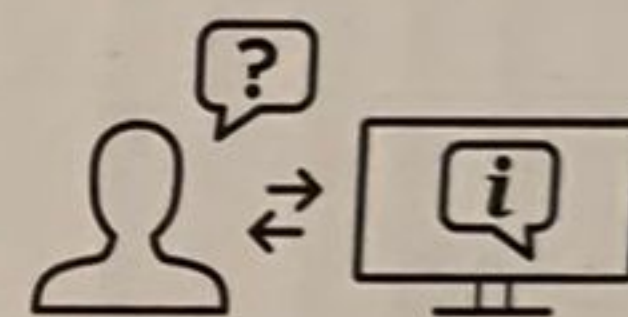
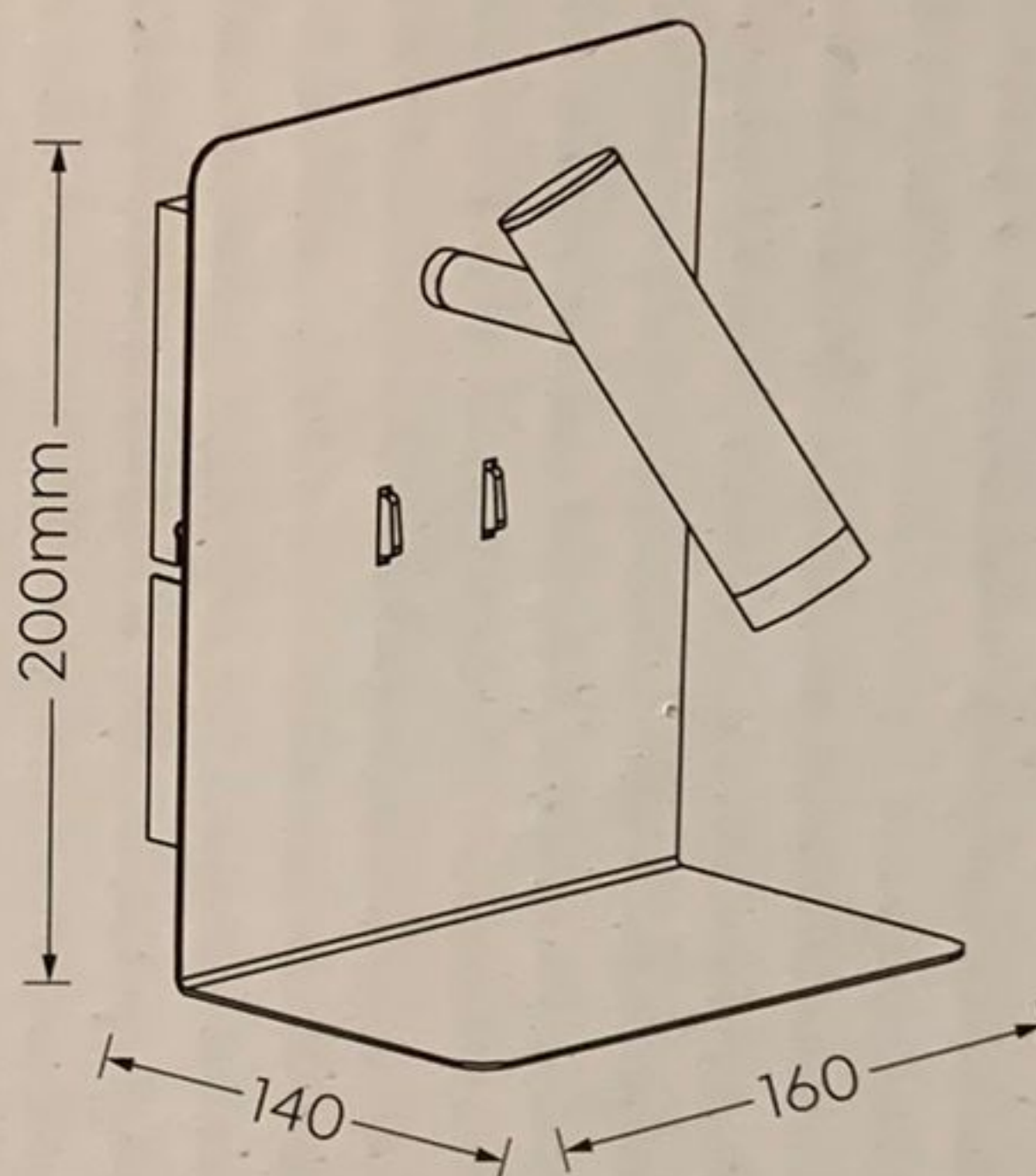
2x 150lm

3000 K

>80 CRI

30000 H

20000x ON/OFF



[trio-lighting.com/
222570231](http://trio-lighting.com/222570231)



www.trio-lighting.com

CE