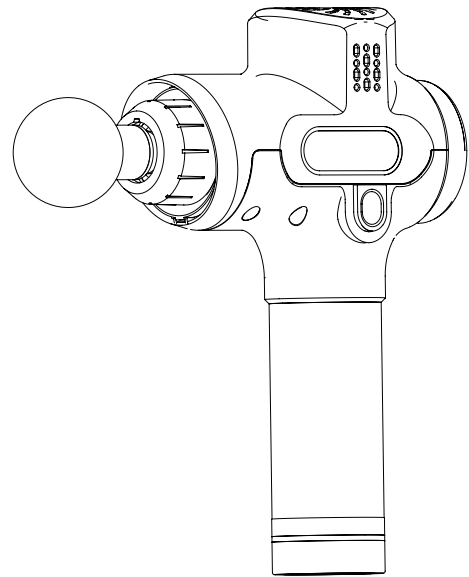


MASSAGE GUN

USER'S MANUAL



DISCLAIMER

PLEASE DO NOT USE THE MASSAGE GUN OR ANY VIBRATION DEVICE WITHOUT FIRST OBTAINING APPROVAL FROM YOUR DOCTOR IF ANY OF THE FOLLOWING APPLY

Fragmany diabetes with complications such as neuropathy or retinal damage, wear of knee-makers, recent surgery epilepsy or migraines, herniated disks, spondylotheists, spondylo-hysts, or spondylosis, recent joint replacements or IUDs, metal pins or plates or any concerns about your physical health frail individuals and children should be accompanied by an adult when using any vibration device, these contra indications do not mean that you are not able to use a vibration or exercise device but we advise you to consult a doctor first

Ongoing research is being done to the effects of vibration exercise for specific medical disorders This will likely result in the shortening of the list of contra indications as shown above. Practical experience has shown that integration of vibration exercise into a treatment plan is advisory in a number of cases, this must be done on the advice of and in accompaniment with a doctor specialist or physiotherapist

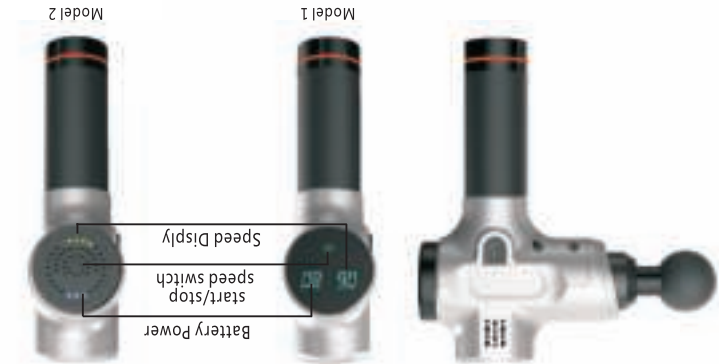
WARRANTY

IF WITHIN ONE YEAR FROM THE DATE OF PURCHASE, THIS PRODUCT FAILS DUE TO A DEFECT IN MATERIAL OR WORKMANSHIP WILL REPAIR OR REPLACE THE PRODUCT OR NECESSARY COMPONENTS, FREE OF CHARGE.

THIS WARRANTY EXCLUDES:

- (a) damage caused by accident, abuse, mishandling, or transport,
 - (b) units subjected to unauthorized repair
 - (c) units not used in accordance with instructions
 - (d) damage exceeding the cost of the product
 - (e) deterioration of the delivered product resulting from abnormal storage and or safeguarding conditions on the client's premises.
 - (f) failure to provide the dated proof of purchase
- Some states and countries do not allow a limitation of damages, so the foregoing limitation may not apply to you. This warranty guarantees specific legal rights, and but other rights may vary from country to country and from state to state. This warranty service is available through the operating policies and international distributors

SPECIFICATIONS



1 Powerful Brushless High-Torque Motor

2 Removable Battery Release with Quiet Glide Technology

3 Rechargeable Lithium-Ion Battery (2+ Hrs of Use Per Charge)

4 Multi-Speed Settings for Optimal Pressure Cordless and Lightweight (2.5 Lbs)

5 Cordless and Lightweight (2.5 Lbs) Includes AC wall charger

6 ON/OFF Power Switch

7 Interchangeable Applicator(s)(x4)

Vibration Speed:

Model1:Level1-20Hz,Level2-26.7Hz,Level3-33.3Hz,Level4-40Hz,Level5-46.7Hz,Level6-53.3Hz

Model2:Level1-30Hz,Level2-40Hz,Level3-53Hz

Charge:

110-240V50/60Hz - 5A-26VDC-1A



USAGE INSTRUCTIONS

PLEASE READ PRIOR TO USE

CHARGING

- + Fully charge battery for up to six hours before first use either attached or detached from the device
- + To charge, connect the dc end of the supplied 24V adapter to the battery's charging port and plug ac side cable into wall outlet
- + LED band on battery lights pulse to show battery level and indicate active charging
- + With battery attached, LED lights on unit flash to show battery level and indicate active charging
- + Full charge is indicated when all LED lights stop flashing and remain fully illuminated
- + Battery may be recharged at any time and at any battery level
- + It is not recommended to fully deplete the battery to the red led level
- + The average run time is 2+ hours depending on speed level and pressure applied during use

OPERATING

- * Align and attach battery into base of unit-ensure it is securely locked in place
- * Power device on by moving the power switch on the bottom of the battery to the on position power device off by moving the power switch to the OFF position
- * With power switch in ON position, press the power button once to level one twice to turn device to level two and three times for level three. Pressing the power button again will turn the device off. The blue LED lights will indicate the corresponding power level
- * With unit off, fully insert applicator by pressing in. Remove by pulling it out
- * Massage desired body part at the desired speed applying pressure as needed
- * To remove the battery, gently press the battery release button with thumb. Firmly pull downwards on the battery handle with the other hand

MAINTENANCE, CLEANING STORAGE

- * Use a slightly damp towel to clean device and a dry with a soft cloth
- * For storage or travel, remove battery and store in supplied carton box

2

DISCLAIMER

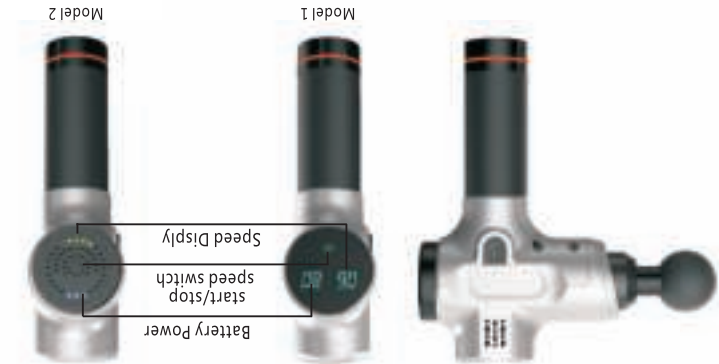
Warnings & Caution

SAFETY INSTRUCTIONS

- * For adult use only
 - * use only on a dry clean surface of the body over clothing by lightly pressing and moving across the body for approximately 60 seconds per region
 - * Do not operate continuously for more than one hour, allow device to rest for 30 minutes before re-using
 - * Do not remove screws or attempt to disassemble
 - * Do not immerse in water, keep away from liquids or heat sources, Keep ventilation ports free from dust and debris
 - * Do not operate continuously for more than one hour, allow device to rest for 30 minutes before re-using
 - * Unplug the charger from device battery after charging or prior to use
 - * For adult use only do not use if injured. Consult your doctor before using this product
- USED IN ACCORDANCE WITH THE FOLLOWING INSTRUCTIONS
- DANGER: TO REDUCE RISKS OF ELECTRIC SHOCK, FIRE, AND PERSONAL INJURY, THIS PRODUCT MUST BE USED IN ACCORDANCE WITH THE FOLLOWING INSTRUCTIONS
- * Do not immerse in water or allow water to enter the ventilation holes of the Massage Gun
 - * Do not place any objects into the ventilation holes of the Massage Gun
 - * Do not drop or misuse the Massage Gun
 - * Only recharge with supplied 26 VDC Massage Gun charger
 - * Carefully examine device and battery before each use
 - * Do not tamper or alter Massage Gun in any way
 - * Never leave the Massage Gun operating or charging unattended

3

SPECIFICATIONS



1 Powerful Brushless High-Torque Motor

2 Removable Battery Release with Quiet Glide Technology

3 Rechargeable Lithium-Ion Battery (2+ Hrs of Use Per Charge)

4 Multi-Speed Settings for Optimal Pressure Cordless and Lightweight (2.5 Lbs)

5 Cordless and Lightweight (2.5 Lbs) Includes AC wall charger

6 ON/OFF Power Switch

7 Interchangeable Applicator(s)(x4)

Vibration Speed:

Model1:Level1-20Hz,Level2-26.7Hz,Level3-33.3Hz,Level4-40Hz,Level5-46.7Hz,Level6-53.3Hz

Model2:Level1-30Hz,Level2-40Hz,Level3-53Hz

Charge:

110-240V50/60Hz - 5A-26VDC-1A

