

COMPUTER DESK

ASSEMBLY INSTRUCTIONS

Thank you for choosing to purchase from Piranha Furniture. We trust everything is as expected, however if there are **ANY** issues at all or you have further questions, please don't hesitate to email us and we will resolve the matter as quickly as possible:

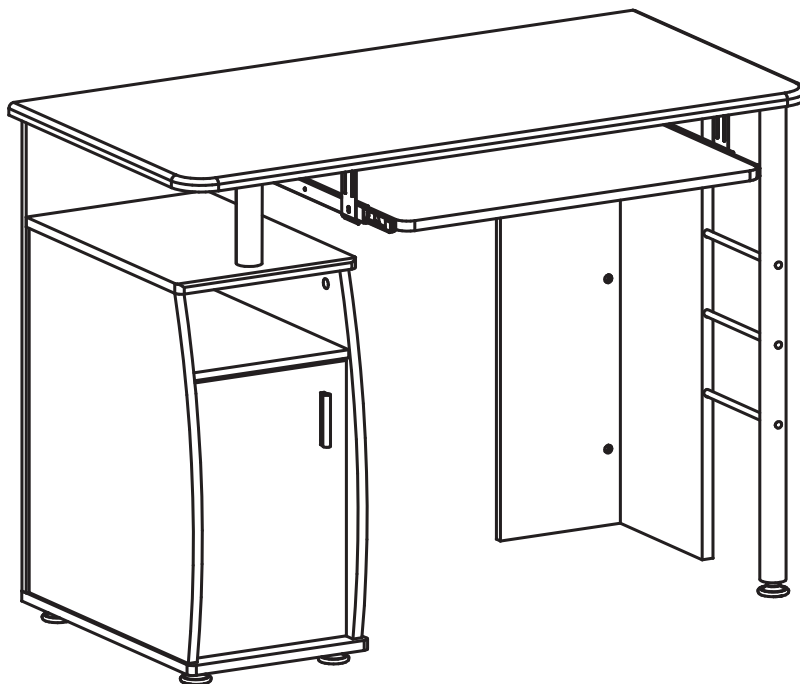
United Kingdom: sales@piranhafurniture.com

Rest of EU: info@piranhaeurope.com

You can contact us through our website www.piranhafurniture.com where you will also find our full range of products.

Please read the assembly instructions carefully before the installation

Retain all packaging as, if required, goods must be returned packed in the original cartons.



MODEL PC1

General Care:

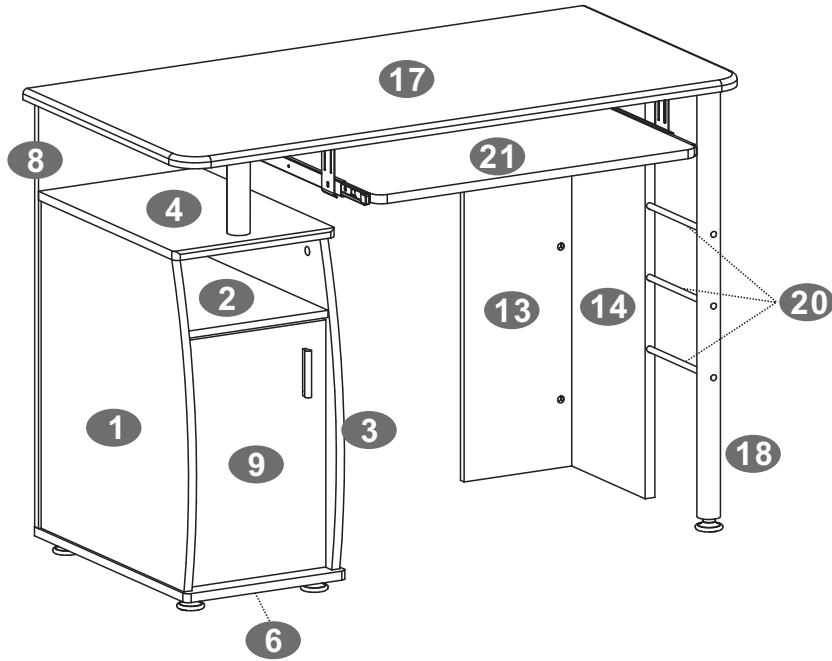
Keep furniture out of direct sunlight. Use mats and coasters to protect surfaces.
Do not place hot or wet items directly onto unprotected surfaces.

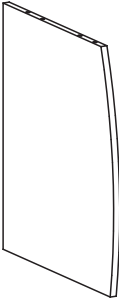
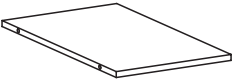
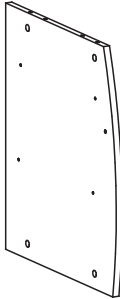
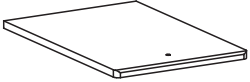
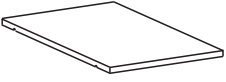
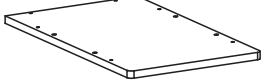
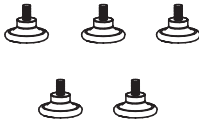
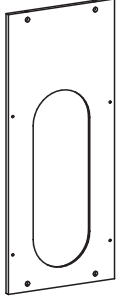
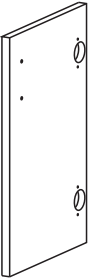
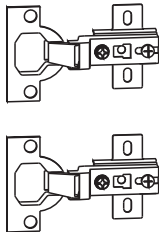


Cleaning:

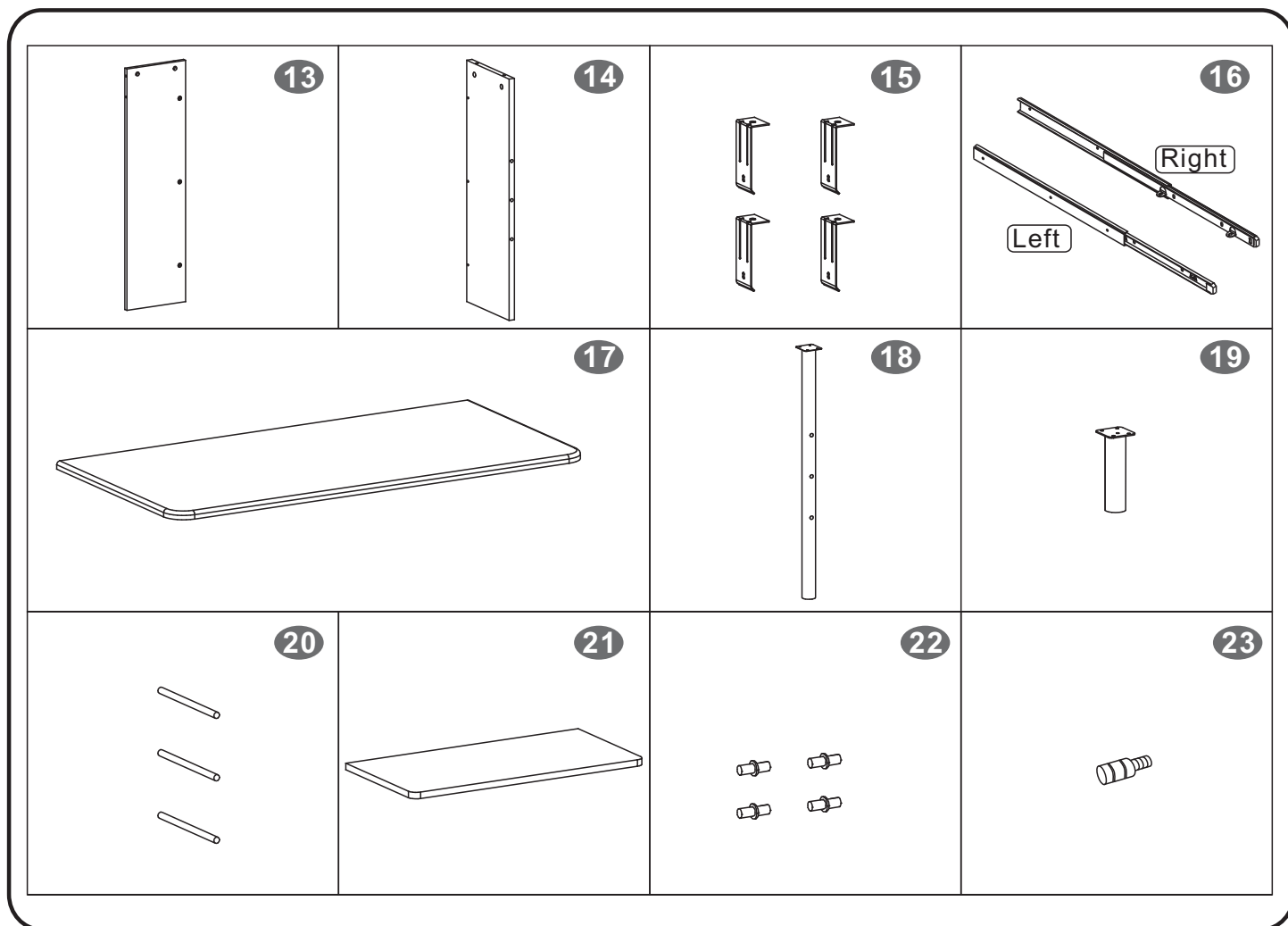
Wipe surfaces with a clean damp (not wet) cloth then dry with a clean lint free cotton cloth.
Glass surfaces may be polished with window or other glass cleaning liquids.



▪PARTS LIST



 <p>1</p>	 <p>2</p>	 <p>3</p>	 <p>4</p>
 <p>5</p>	 <p>6</p>	 <p>7</p>	 <p>8</p>
 <p>9</p>	 <p>10</p>	 <p>11</p>	 <p>12</p>

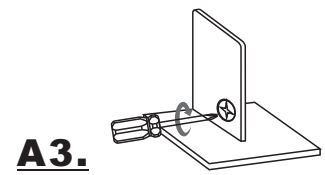
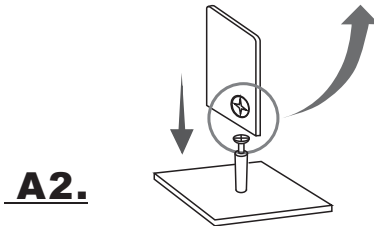
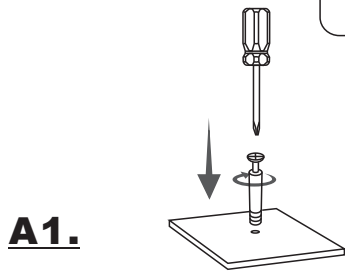
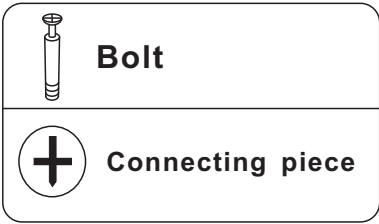


▪SCREWS LIST

PART	QTY.	ITEM	
A	10	6X40 MM	
B	17	6X25 MM	
C	1	6X35 MM	
D	3	6X50 MM	
E	4	6X12 MM	
F	3	6X25 MM	
G	4	5X40 MM	

PART	QTY.	ITEM	
H	12	4X14 MM	
I	8	4X16 MM	
J	2	4X20 MM	
K	4	4X4 MM	
	1		

6X40MM BOLT INSTALLATION AS BELOW:



ASSEMBLY STEPS:

1

22 X4

SCREWS

B 6X25 MM

4PCS

2

23

SCREWS

A 6X40 MM

8PCS

3

6

7 X5

18

4

8

3

6

1 2 3

■ SCREWS

B 6X25 MM

2PCS

5

8

3

■ SCREWS

G 5X40 MM

4PCS

6

13

14

1 2 3

■ SCREWS

B 6X25 MM

3PCS

7

8

12

13

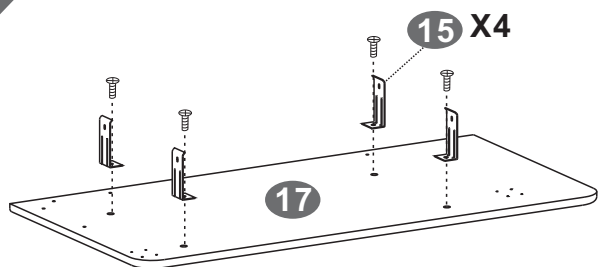
1 2 3

■ SCREWS

B 6X25 MM

4PCS

8



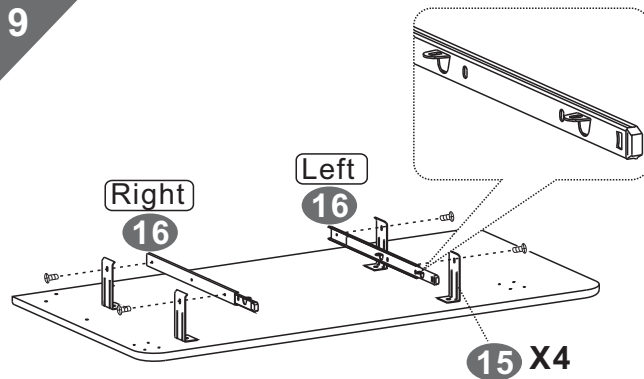
■ SCREWS

E 6X12 MM

4PCS



9



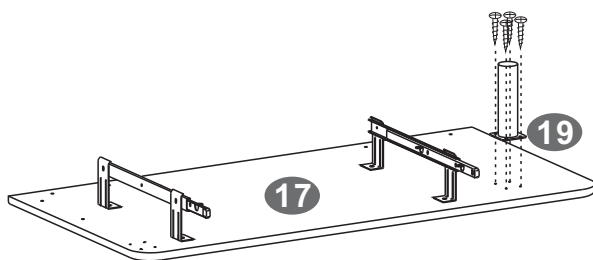
■ SCREWS

K 4X4 MM

4PCS



10



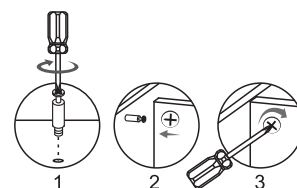
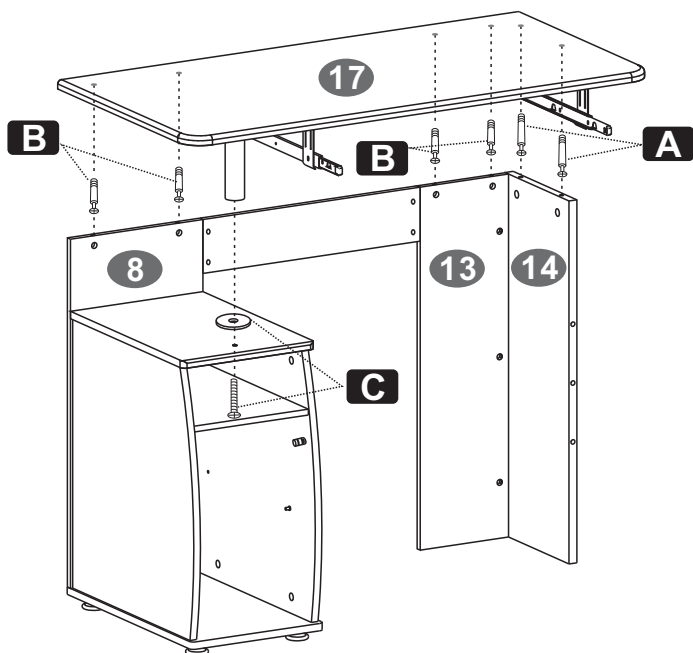
■ SCREWS

H 4X14 MM

4PCS



11



■ SCREWS

A 6X40 MM

2PCS



B 6X25 MM

4PCS

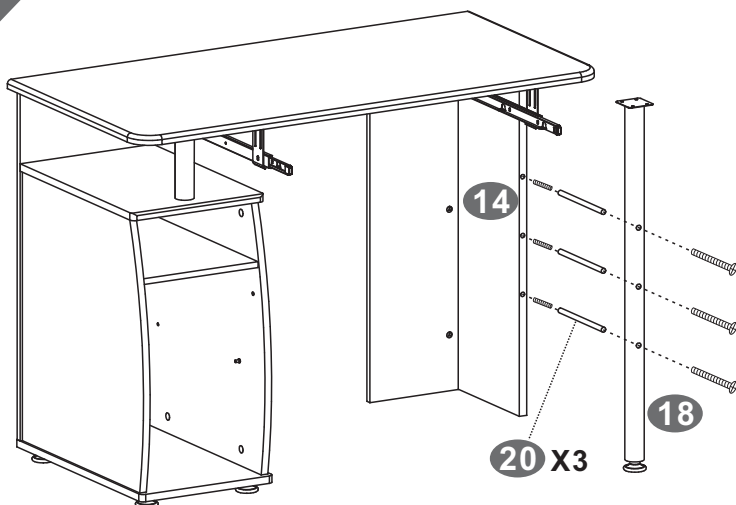


C 6X35 MM

1PC



12



▪ SCREWS

F 6X25 MM

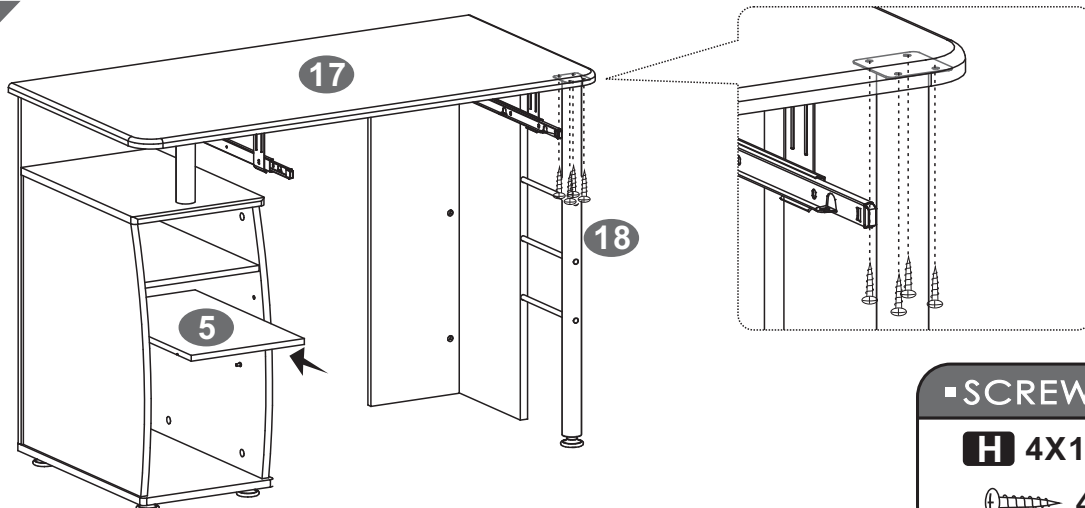
 3PCS

D 6X50 MM

 3PCS



13



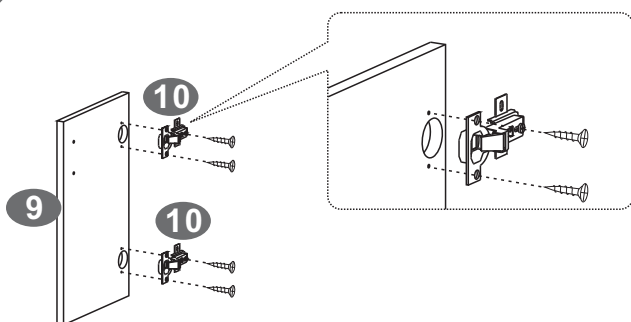
▪ SCREWS

H 4X14 MM

 4PCS



14



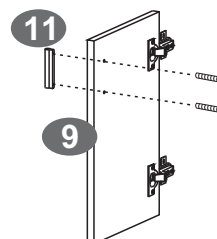
▪ SCREWS

I 4X16 MM

 4PCS



15



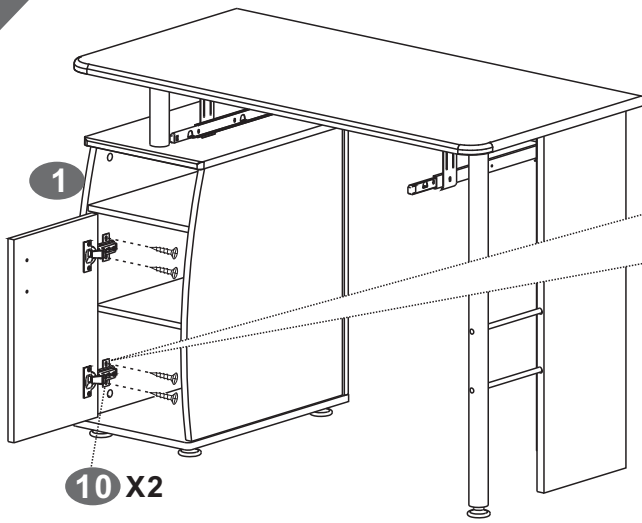
▪ SCREWS

J 4X20 MM

 2PCS



16



Loose screws (A)(B), adjust (C) to change height to ideal place

Adjust (A)(B) to change length to ideal location

10 X2

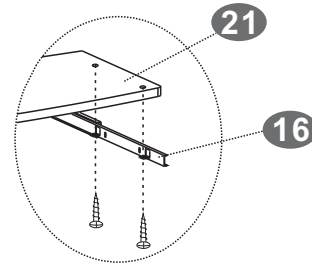
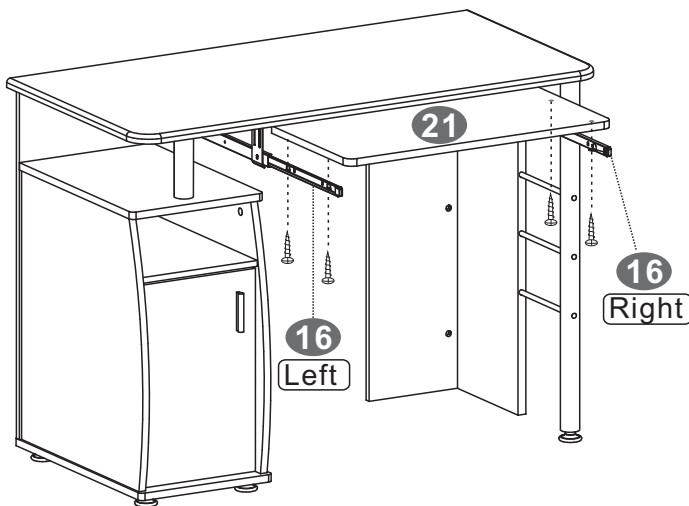
■ SCREWS

■ 4X16 MM

● 4PCS



17



■ SCREWS

■ H 4X14 MM

● 4PCS



18

