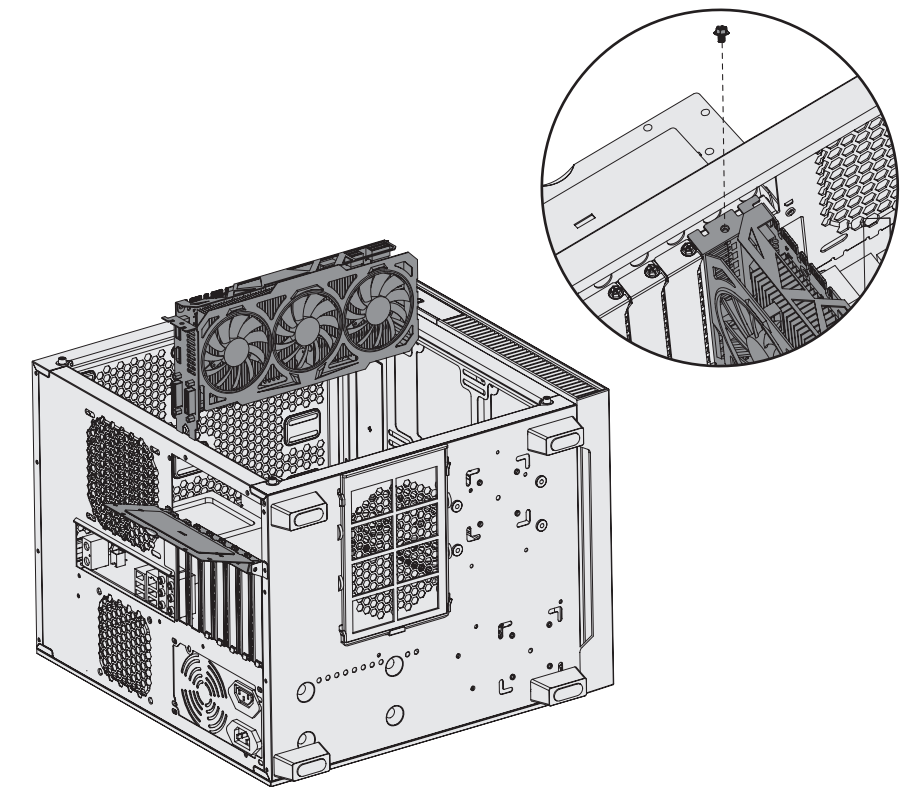
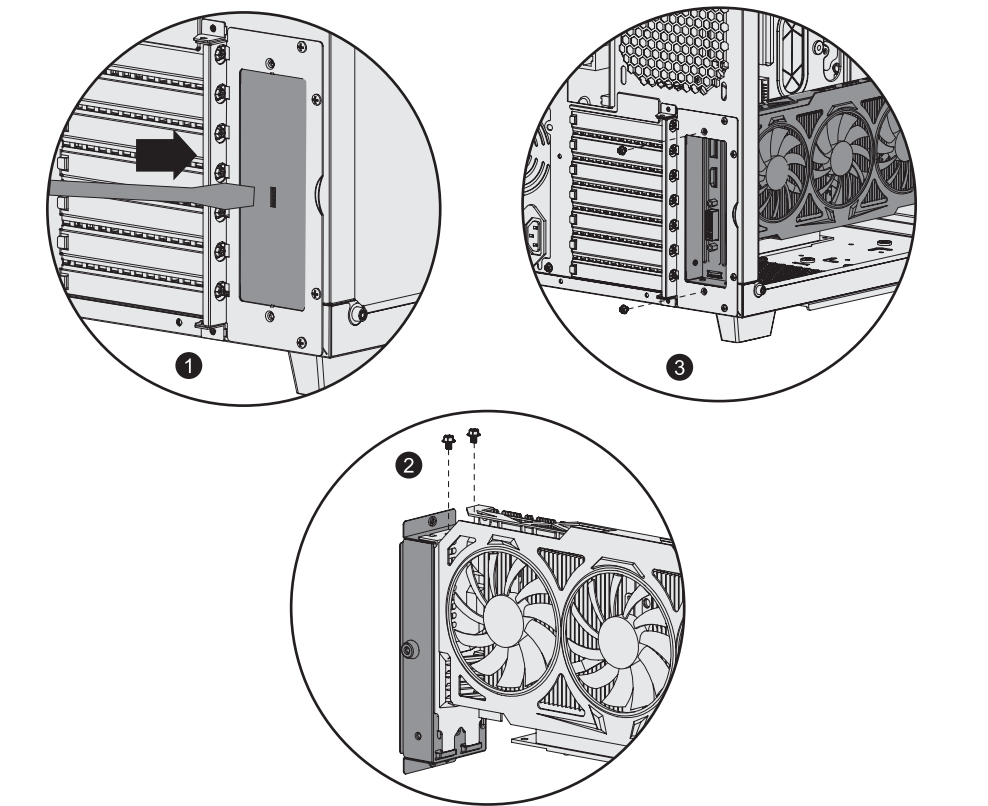


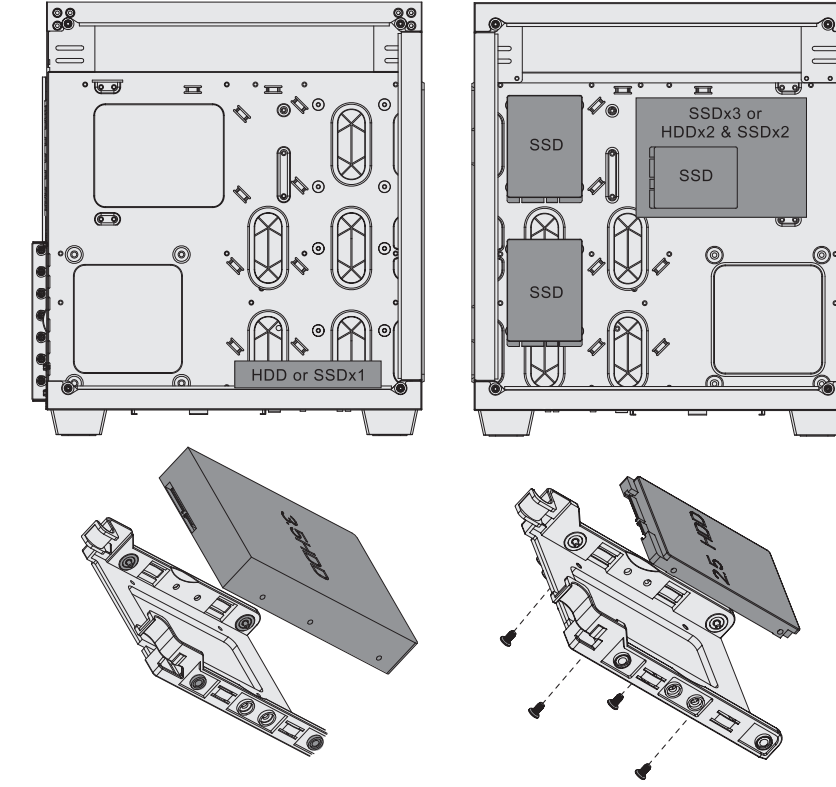
7. Graphic Card



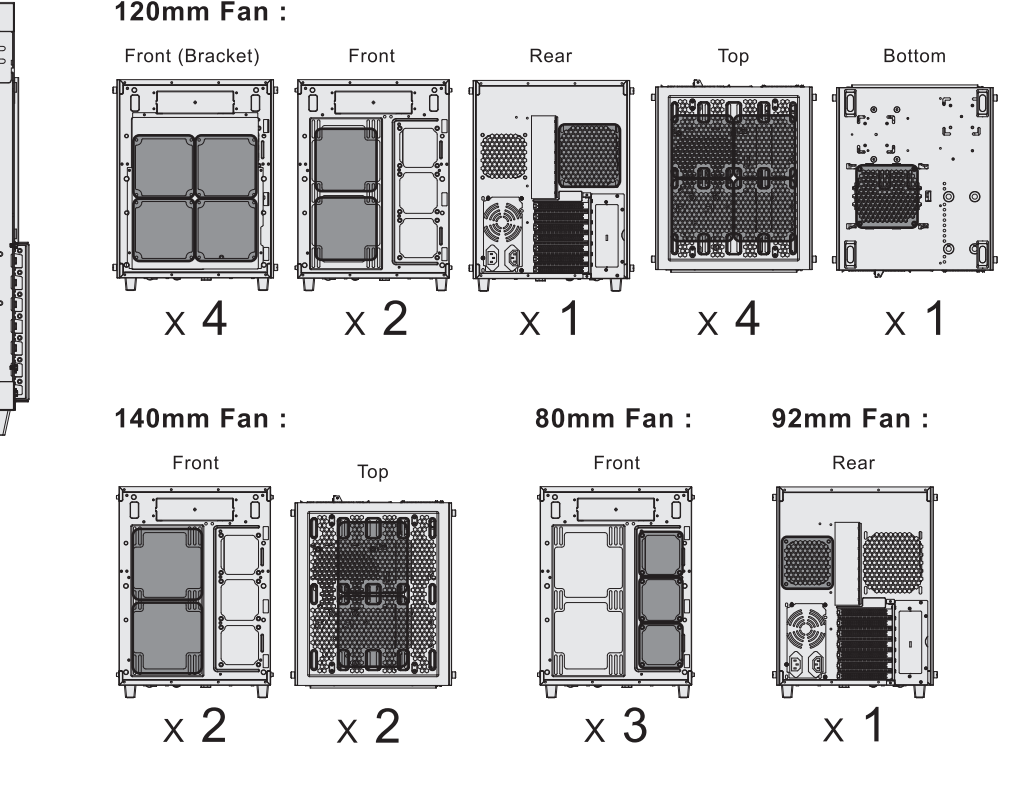
8. Graphic Card (Vertical)



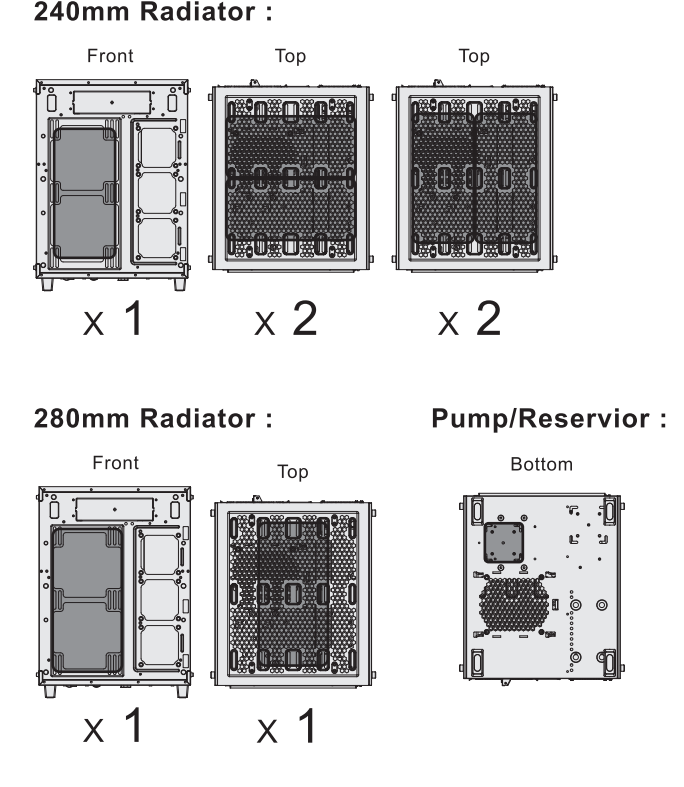
9. 3.5 HDD, 2.5 SSD



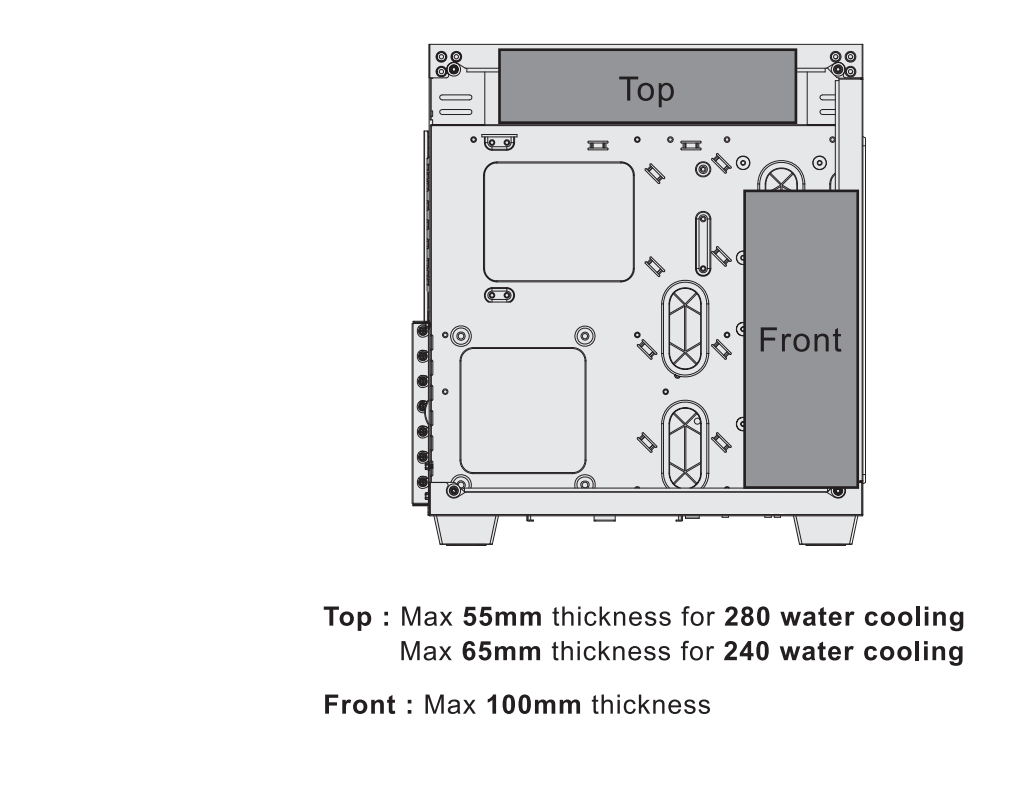
10. Fan installation



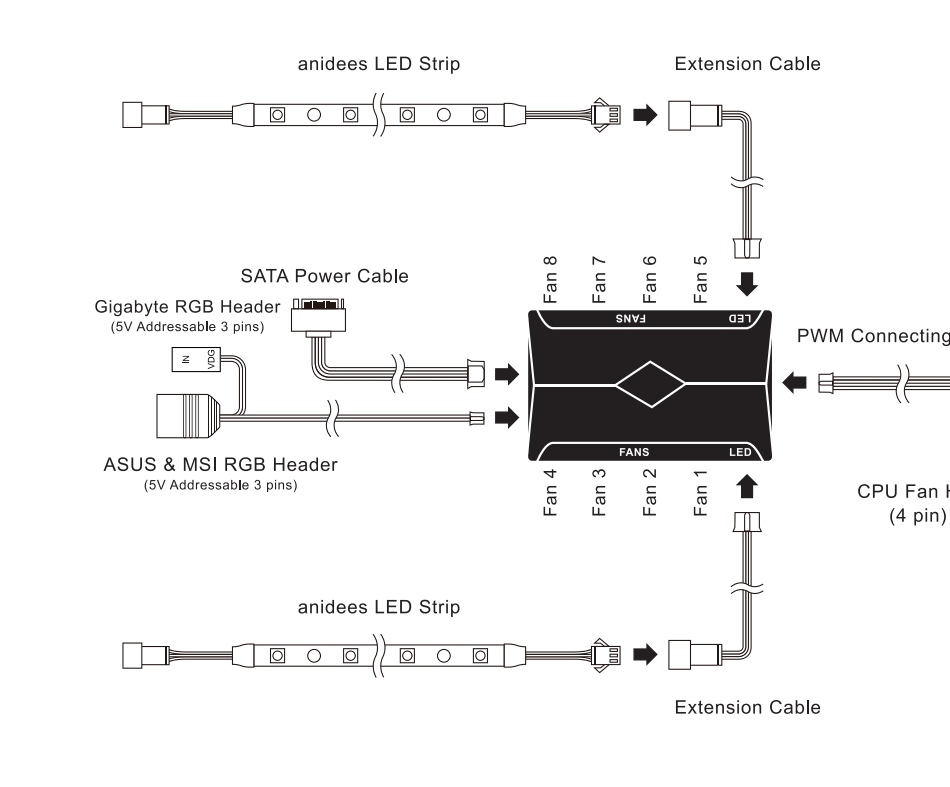
11. Radiator installation



12. Max Water Cooling Compatibility (the total thickness of fan and rad)



13. Installation Diagram :



14. RF Wireless LED / Fan Speed Control

AI AUREOLA V2 & RGB LED STRIP (Available on CUBE AR3 Version)

- LED On / Off
- LED On / Off (Fan Hub connect to RGB Header on motherboard)
- LED Fast / Slow
- Cycling through lighting effects automatically
- Mode 1 - 9
- Brightness Down / Up
- Static White
- Static Red
- Static Green
- Static Blue
- No Function
- Press five time in a row to lock the remote control, unlock to press 5 time again.
- Fan Speed Control Low / Medium / High

*NO Function once PWM works, Fan Hub connect to CPU Fan Header on MB