

Video Extender Rack Mount Kit VE-RMK1U

User Instructions

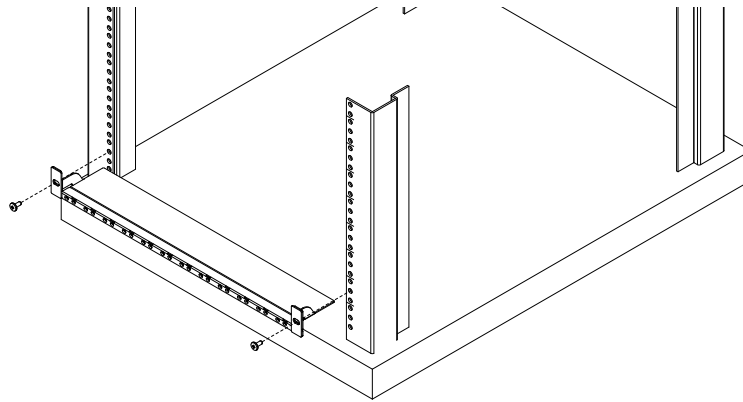
The VE-RMK1U kit provides a mounting frame and accessories to install up to 4 ATEN Video Extenders in 1U of rack space.

Package Contents:

- 1 VE-RMK1U Frame
- 4 1U Mounting Plates
- 5 Plastic Captive Screws
- 6 Hexagon Head Screws
- 12 Countersunk Head Screws

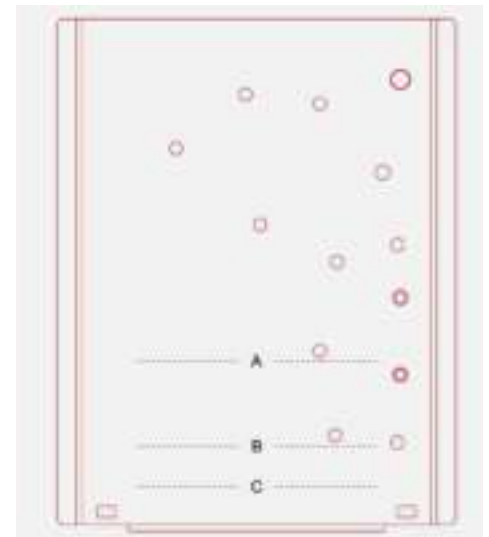
Installation:

1. Position the VE-RMK1U Frame on the front of the rack and align the holes in the mounting brackets with the holes in the rack, then screw the mounting brackets to the rack. Rack screws are not provided.



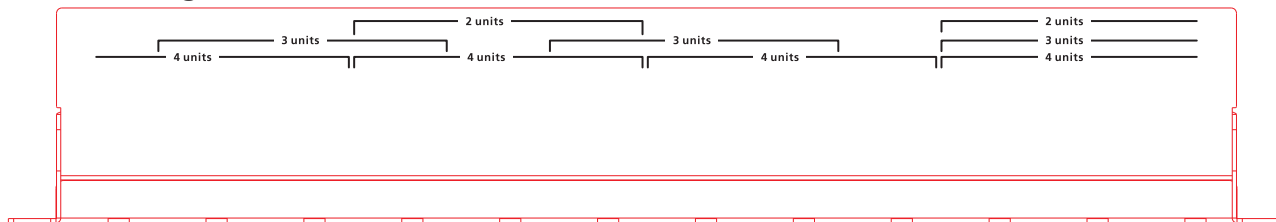
2. Find the letter for your ATEN Video Extender in the table. Aligning the front of the video extender with the letter on the mounting plate will position the holes needed to screw the video extender to the mounting plate. The table's top row shows how many units can be installed in one VE-RMK1U Frame.

Mounting Plate



4 Units		3 Units		2 Units		
A	B	C		C		
CE100	VB802	CE250A	UC4854	CE350	CE750	CS74E
VE560	VE150A	CE700A	VE802	CE370	CE750A	VC880
VE600A	VE170	CS72D	VE812	CE600	CE770	VE300
VE601	VE172R	CS72E	VE814	CE602	CE790	VE500
VE602		UC2322	VE882	CE604	CE800B	VE813
VE800A		UC2324	VE892	CE610	CN8000	VS481A
VE801		UC4852	VS182A	CE624	CS74D	VS481B
VE803						
VE810						

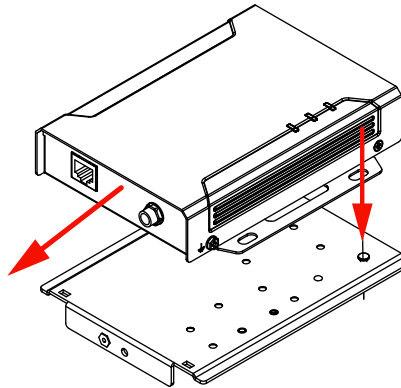
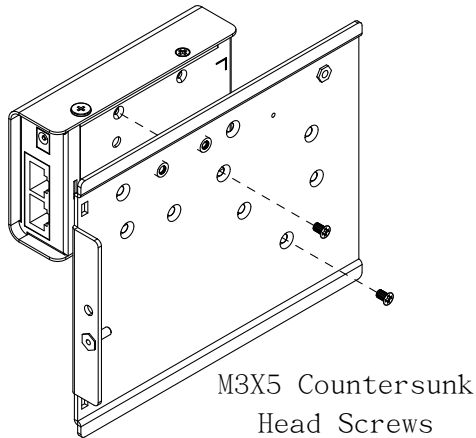
Mounting Positions on Frame



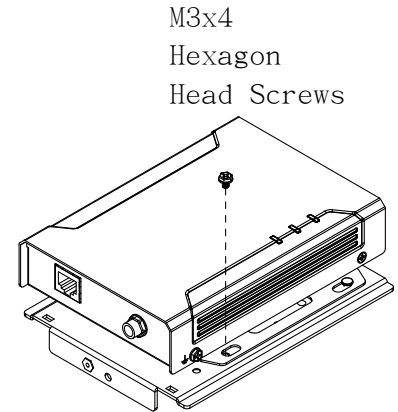
Video Extender Rack Mount Kit VE-RMK1U

User Instructions

3. Align the front of the video extender with the appropriate letter on the 1U Mounting Plate (see step 2), and then screw the video extender to the mounting plate. Two examples are provided.



Step A: Put on plate, fit mounting post, and slide forward.



Step B: Screw device to mounting plate.

4. Slide a 1U Mounting Plate with video extender attached onto a slot in the VE-RMK1U Frame, aligning the screw hole and fitting the notch. Secure the mounting plate to the frame with a Plastic Captive Screw. Repeat the process with each video extender.

