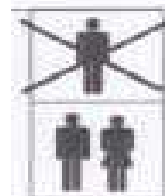
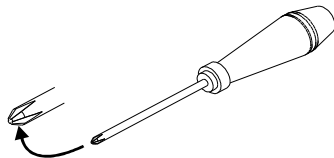
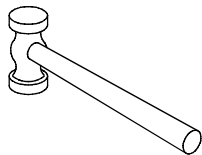
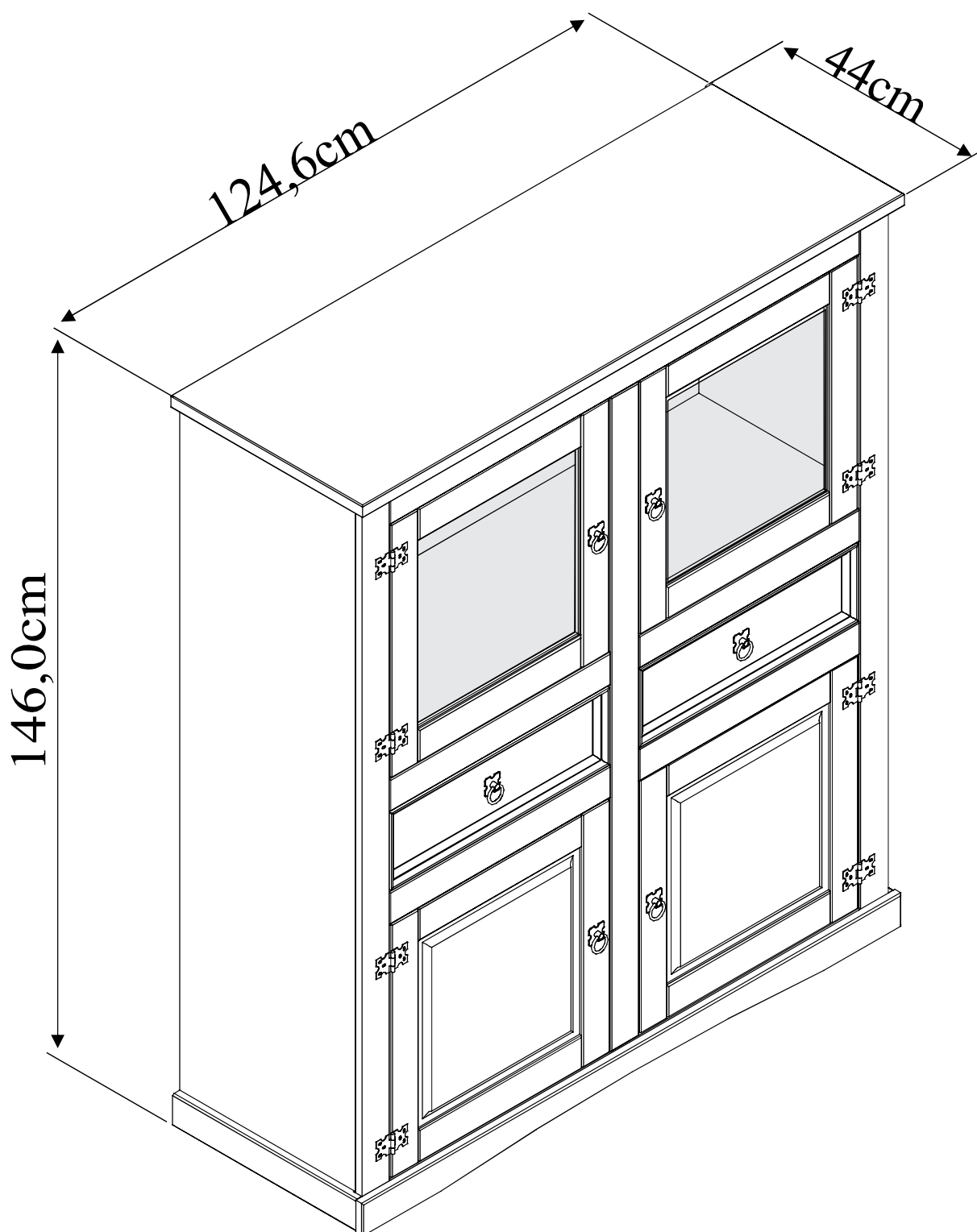
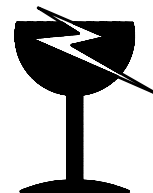
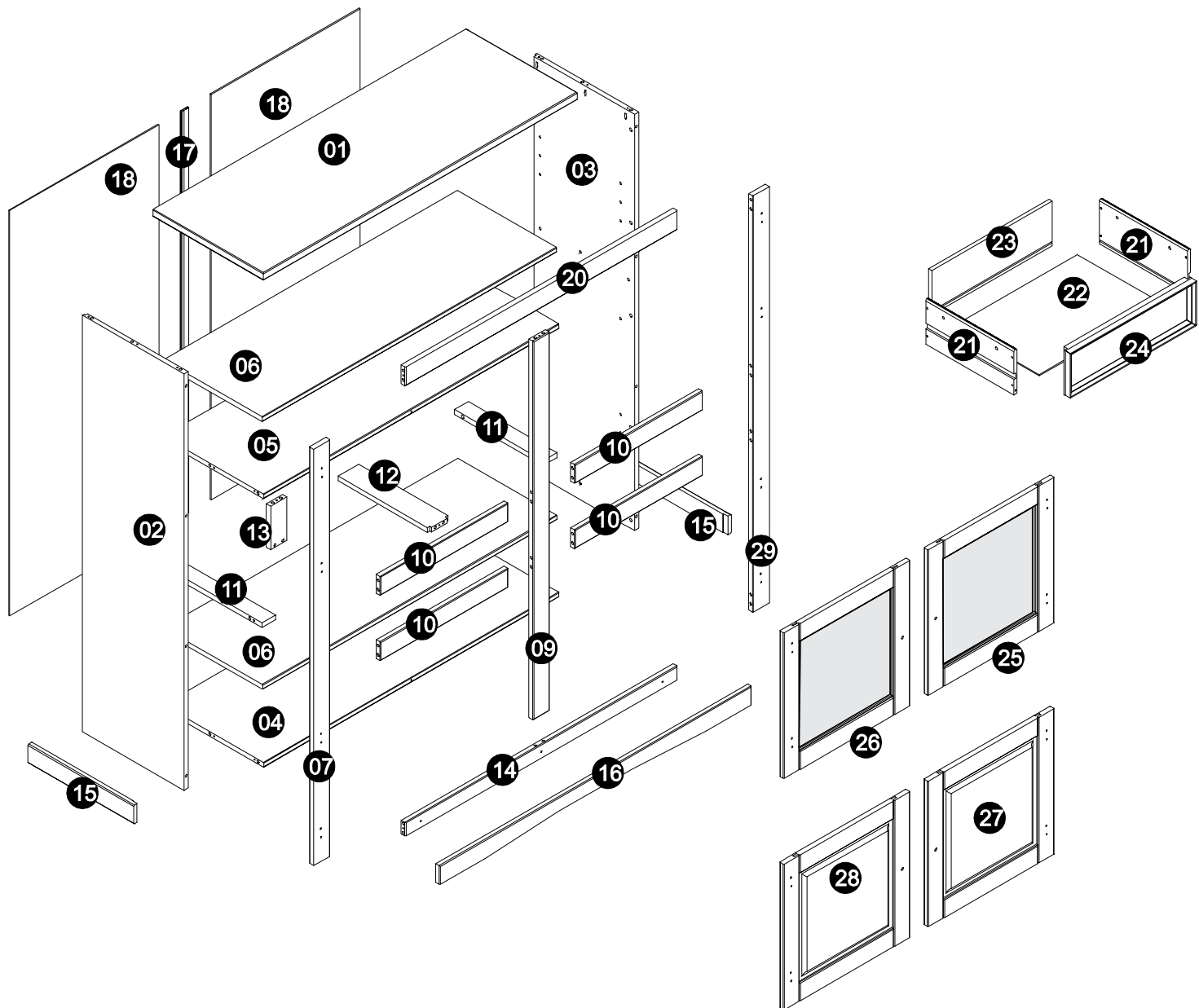


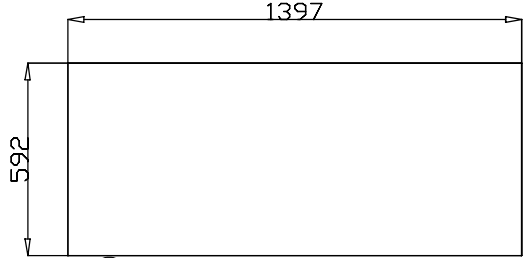
24-43655 / 24-43656 / 24-43657



3:00 h



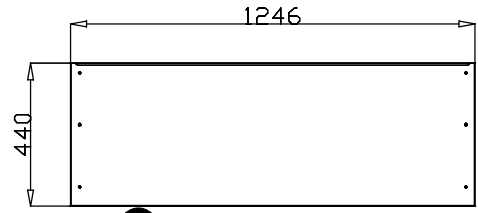




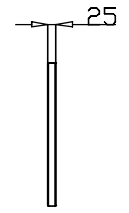
18 2x



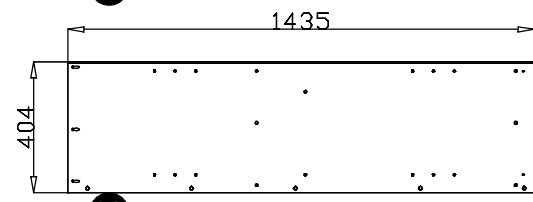
4



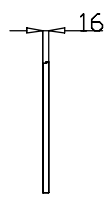
01 1x



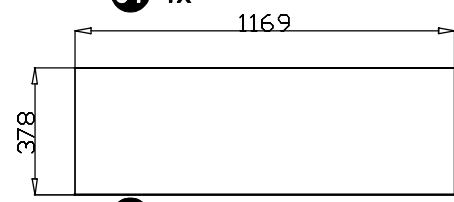
25



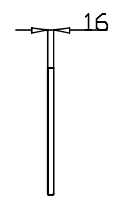
02 1x



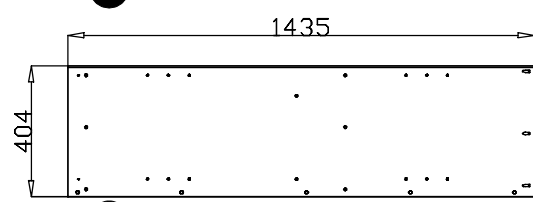
16



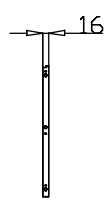
06 2x



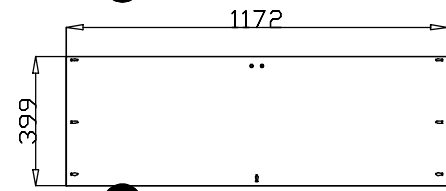
16



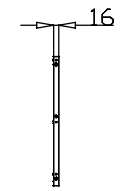
03 1x



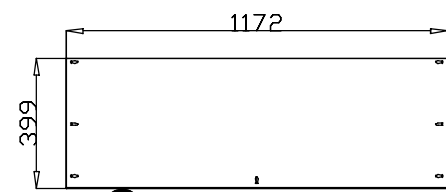
16



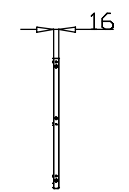
04 1x



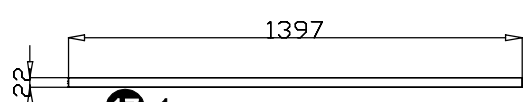
16



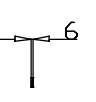
05 1x



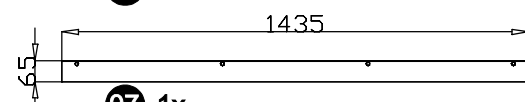
16



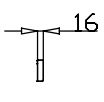
17 1x



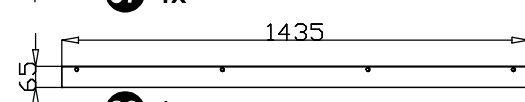
6



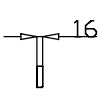
07 1x



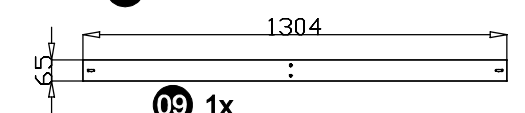
16



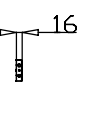
29 1x



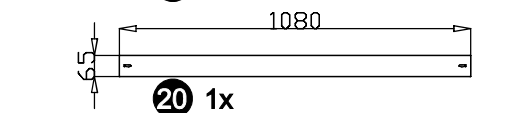
16



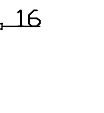
09 1x



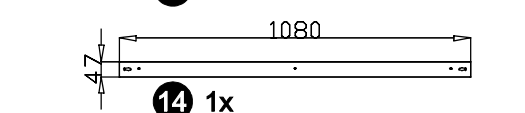
16



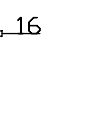
20 1x



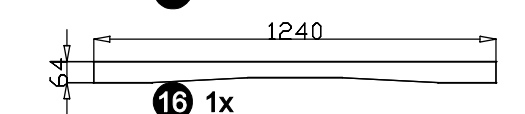
16



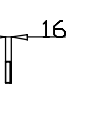
14 1x



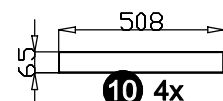
16



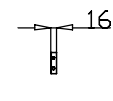
16 1x



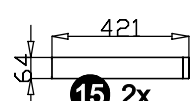
16



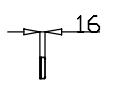
10 4x



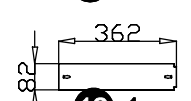
16



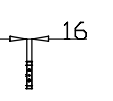
15 2x



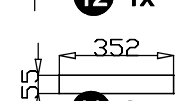
16



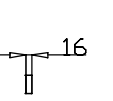
12 1x



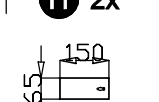
16



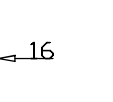
11 2x



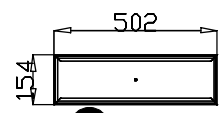
16



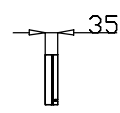
13 1x



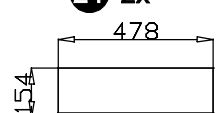
16



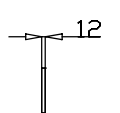
24 2x



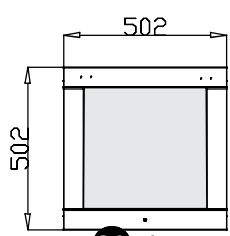
35



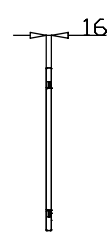
23 2x



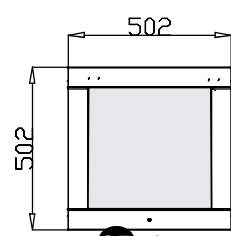
12



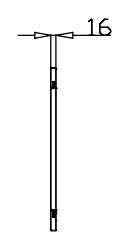
26 1x



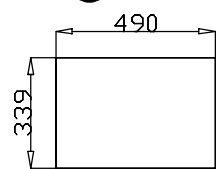
16



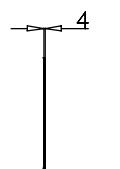
25 1x



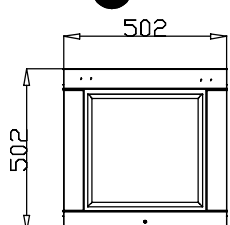
16



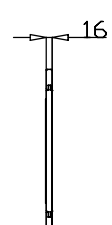
22 2x



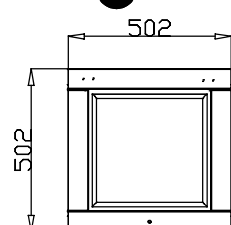
4



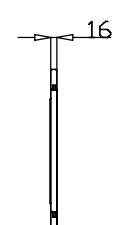
27 1x



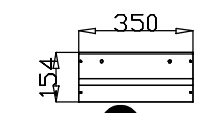
16



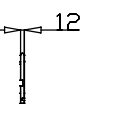
28 1x



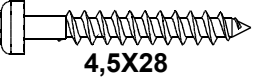



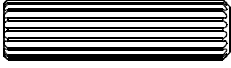
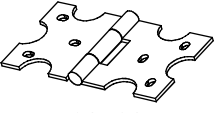
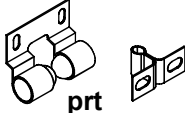
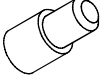


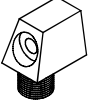

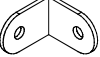

16



21 4x

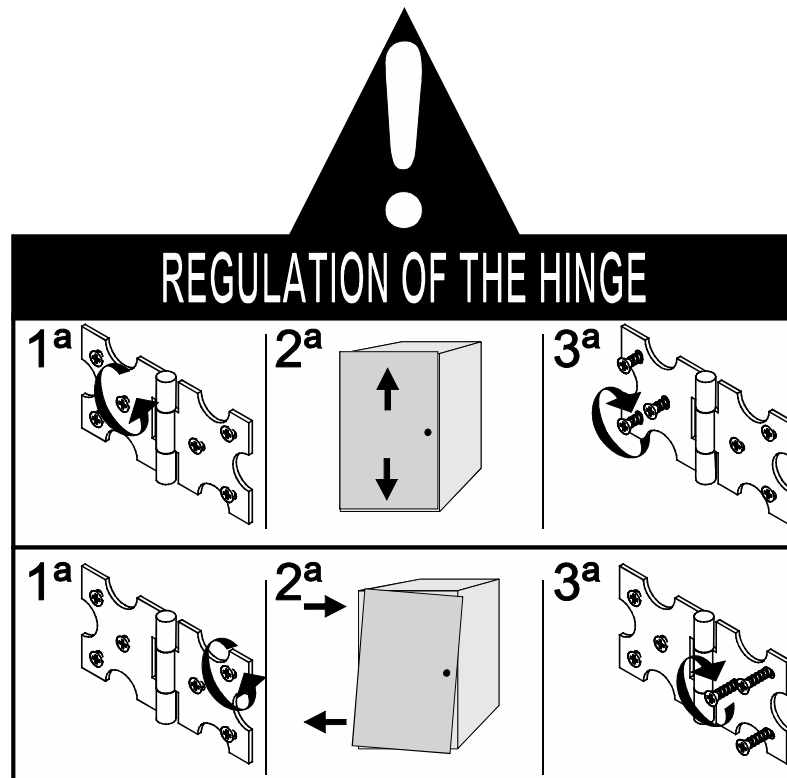


12

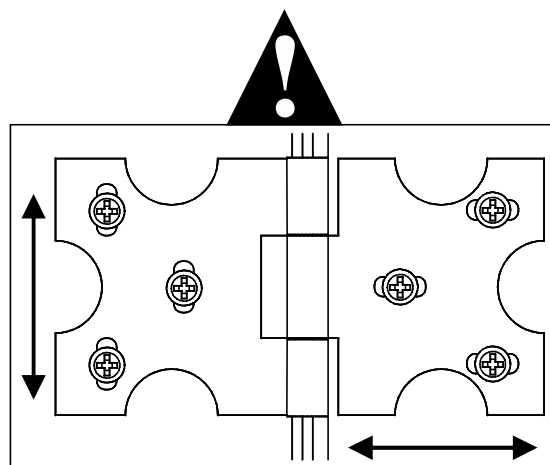
<p>A x 46</p>  <p>4,5X28</p>	<p>B x 52</p>  <p>3,5X14 prt</p>	<p>C x 06</p> 	<p>D x 02</p>  <p>20g</p>	<p>E x 68</p>  <p>8,0x25</p>
<p>F x 08</p>  <p>32x32</p>	<p>G x 04</p>  <p>prt</p>	<p>H x 08</p> 	<p>J x 16</p>  <p>3,0X16 prt</p>	<p>K x 16</p>  <p>3,5X30</p>
<p>L x 16</p> 	<p>M x 06</p>  <p>3,5X25</p>	<p>N x 02</p> 	<p>Z x 50</p>  <p>8 X 8</p>	



Attention / Achtung / Bemaerk



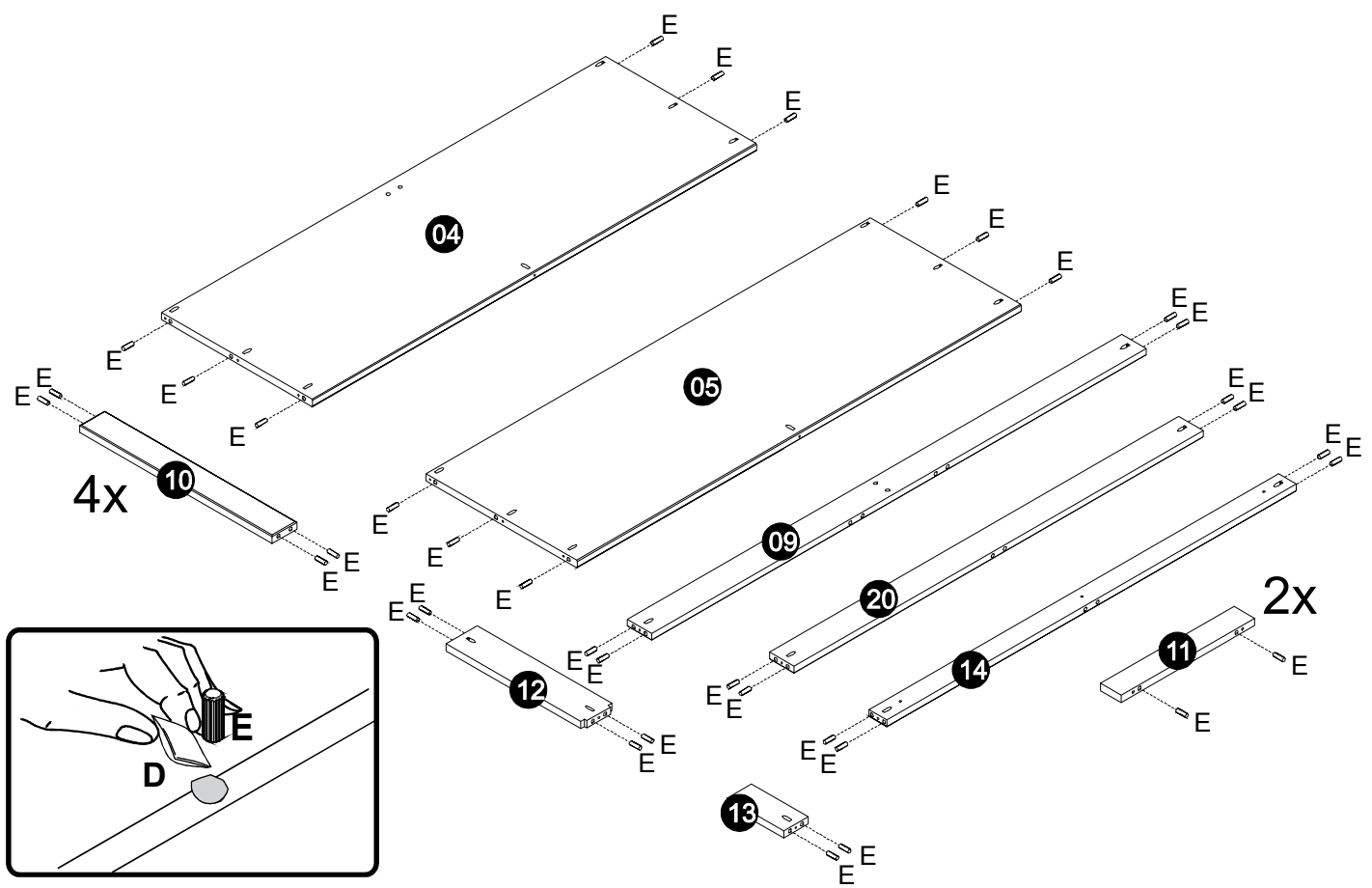
Cabinet
Schrankseite
Skabsside







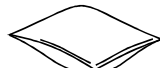
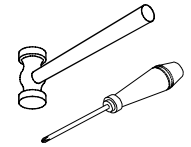
Door
Schranktür
Låge

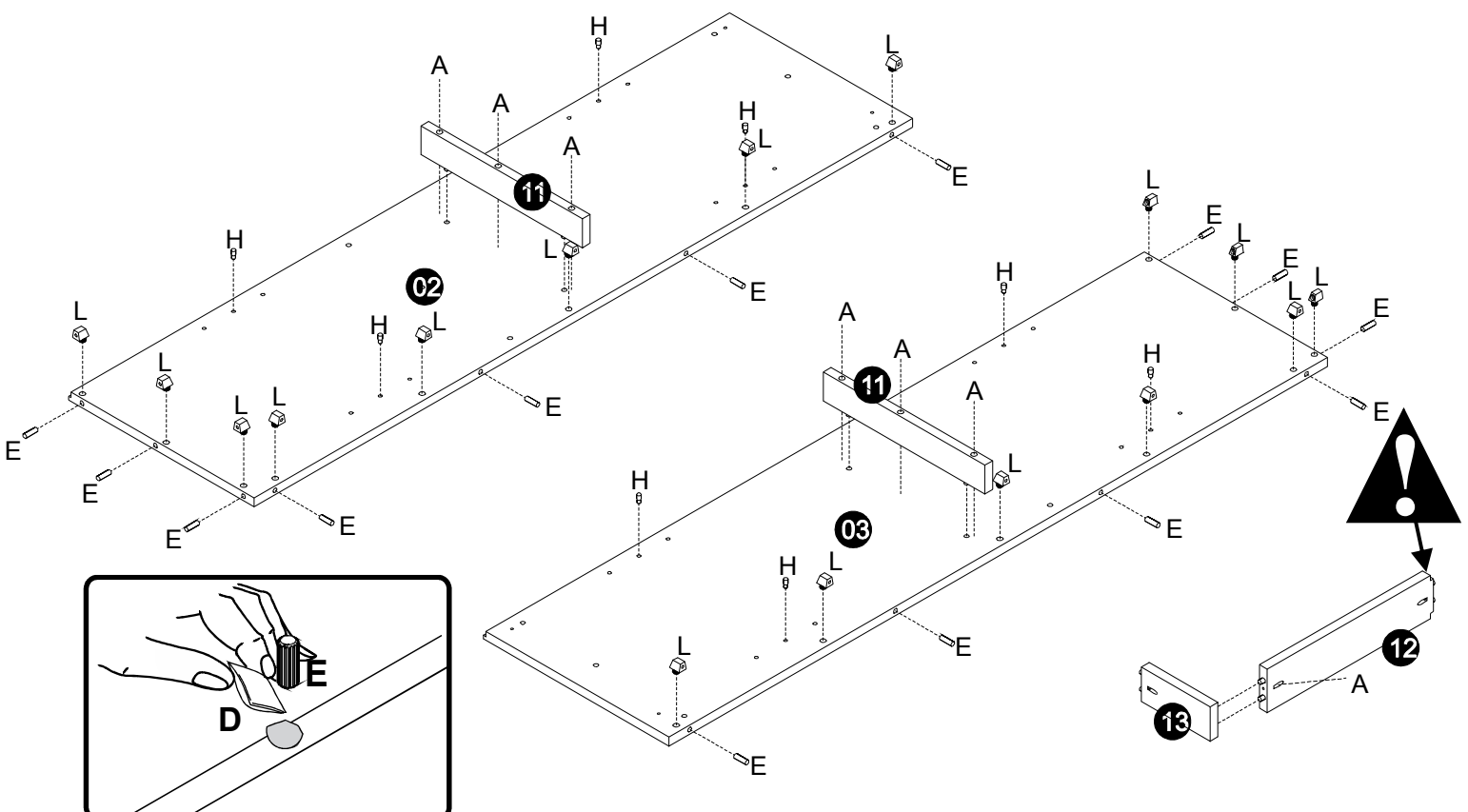
1

D x 01  20g	E x 50  8,0x25	
---	--	--



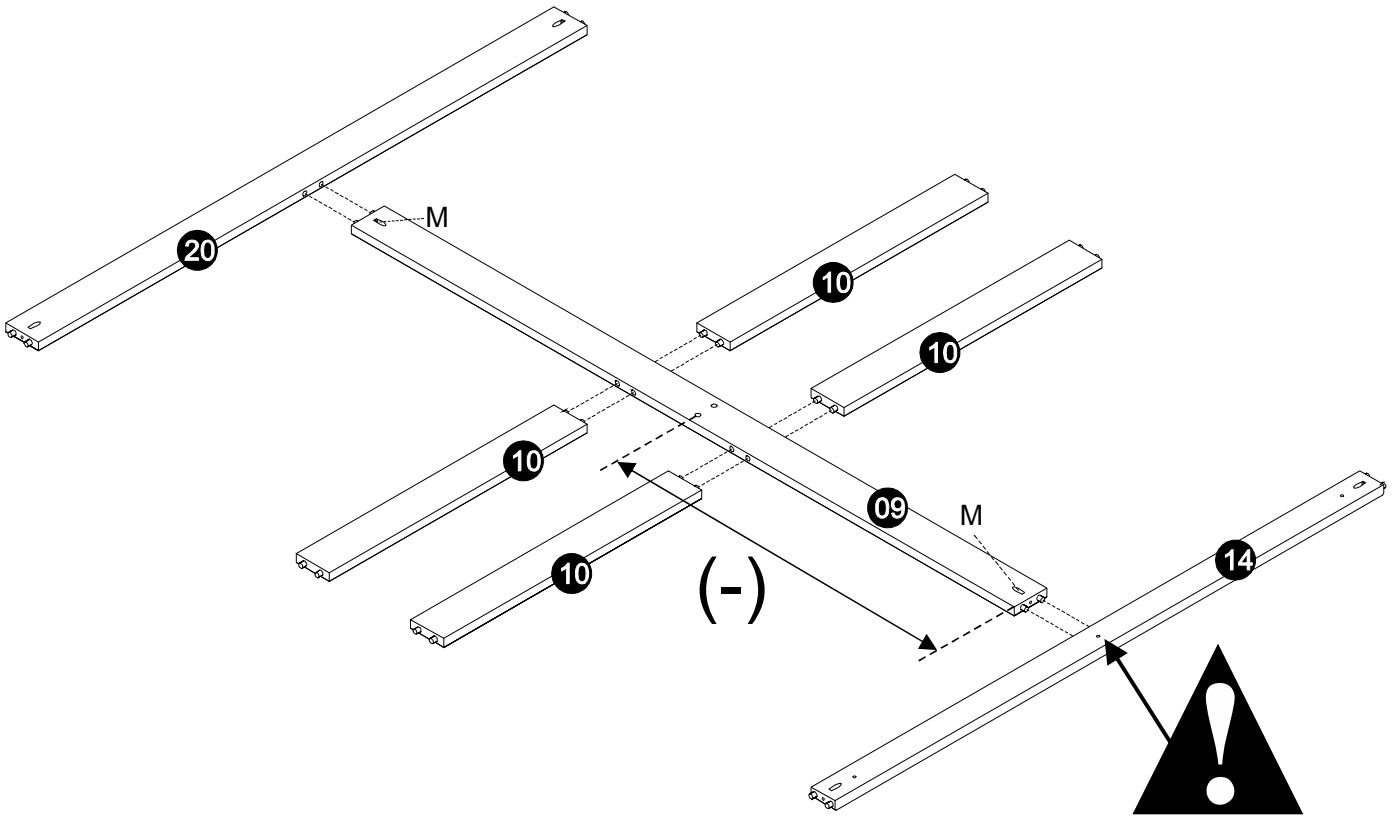
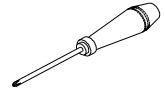
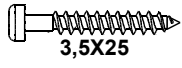
2

A x 07  4,5x28	E x 14  8,0x25	H x 08 	L x 16 	D x 01 	
---	---	---	---	--	---



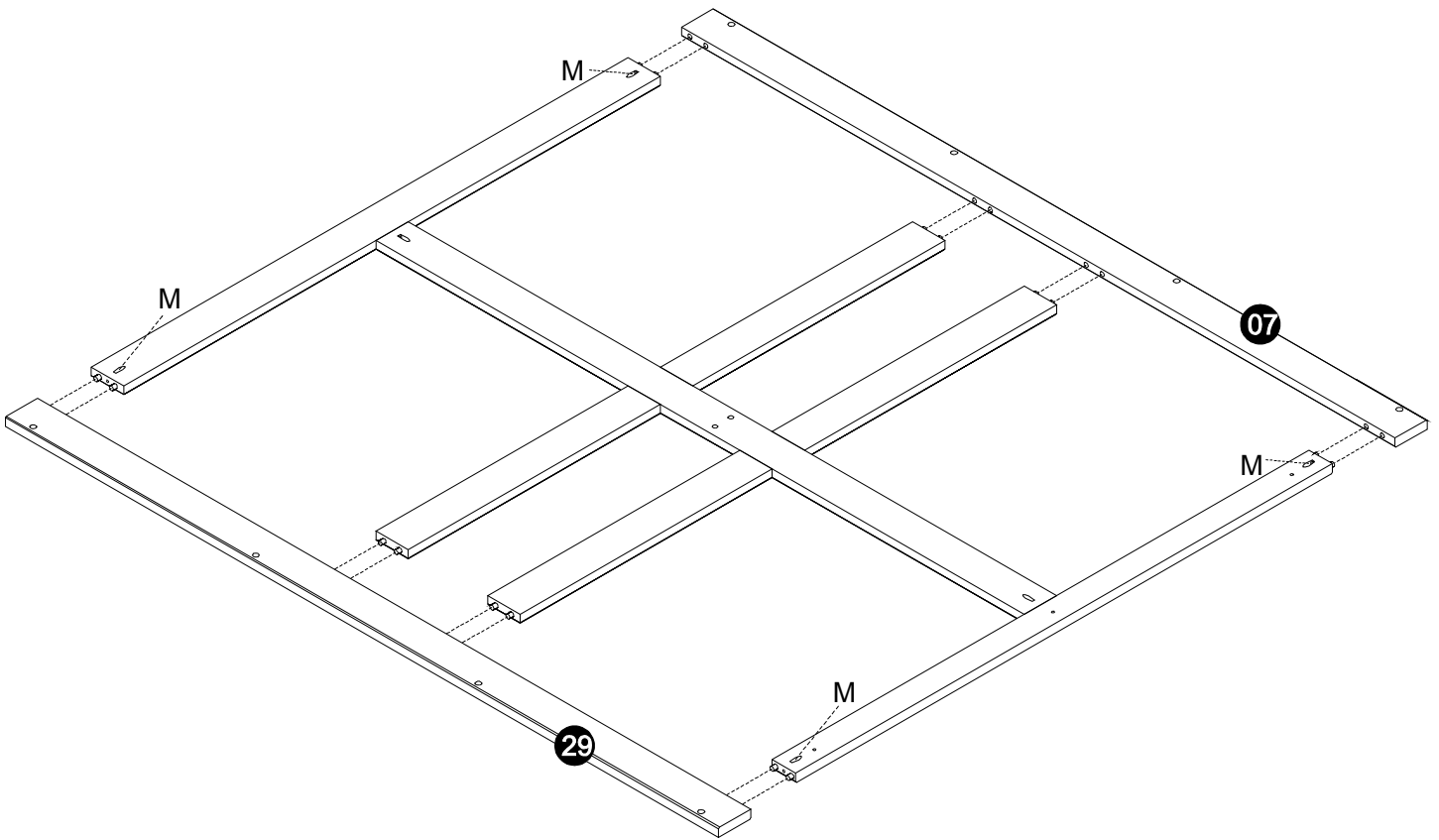
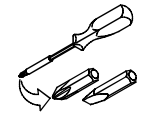
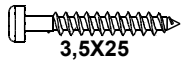
3

M x 02



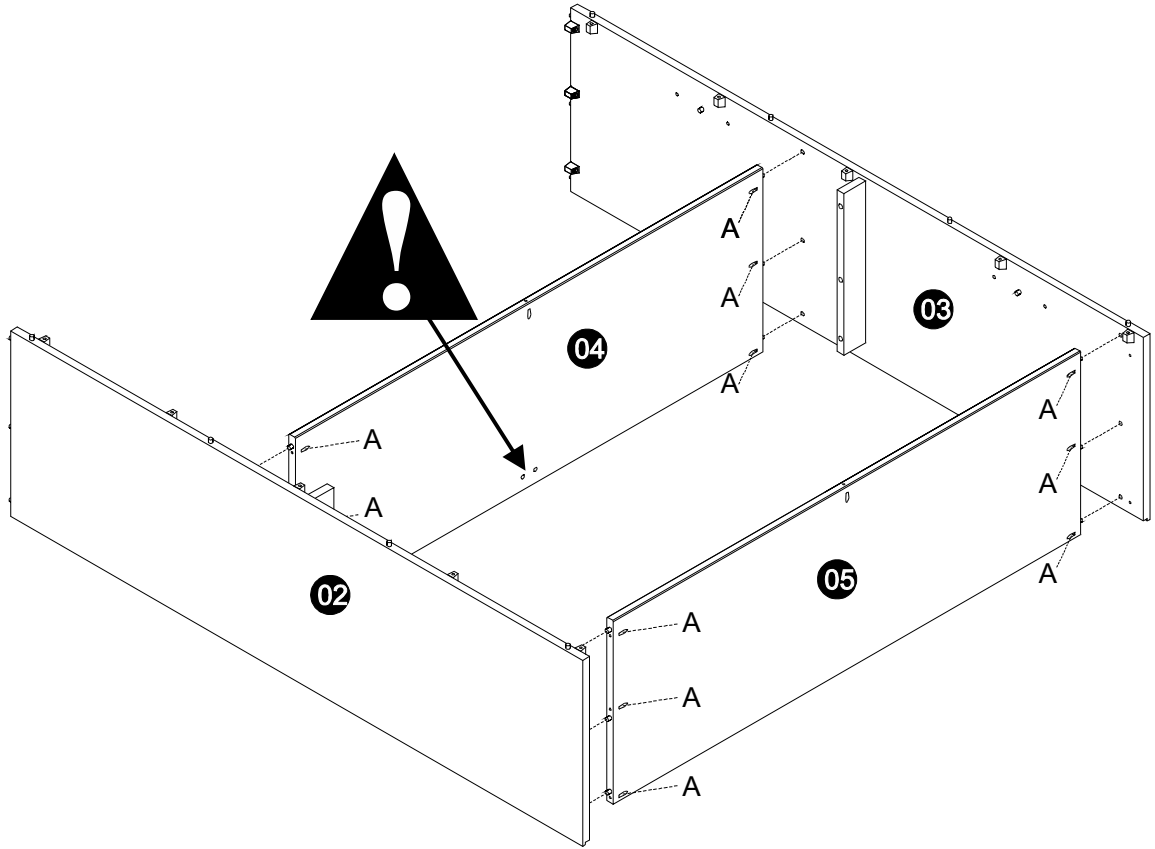
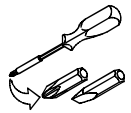
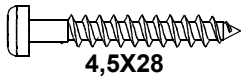
4

M x 04



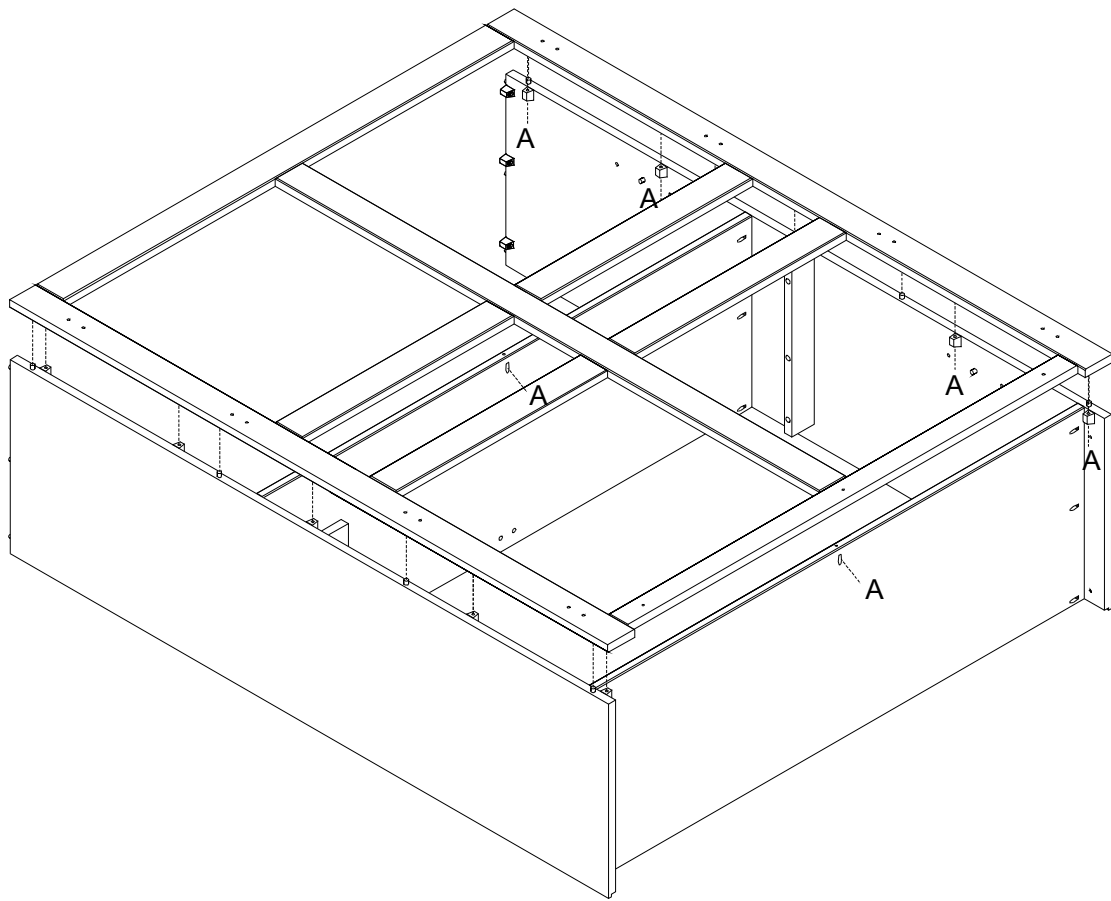
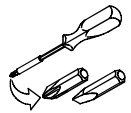
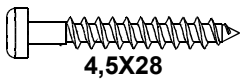
5

A x 12



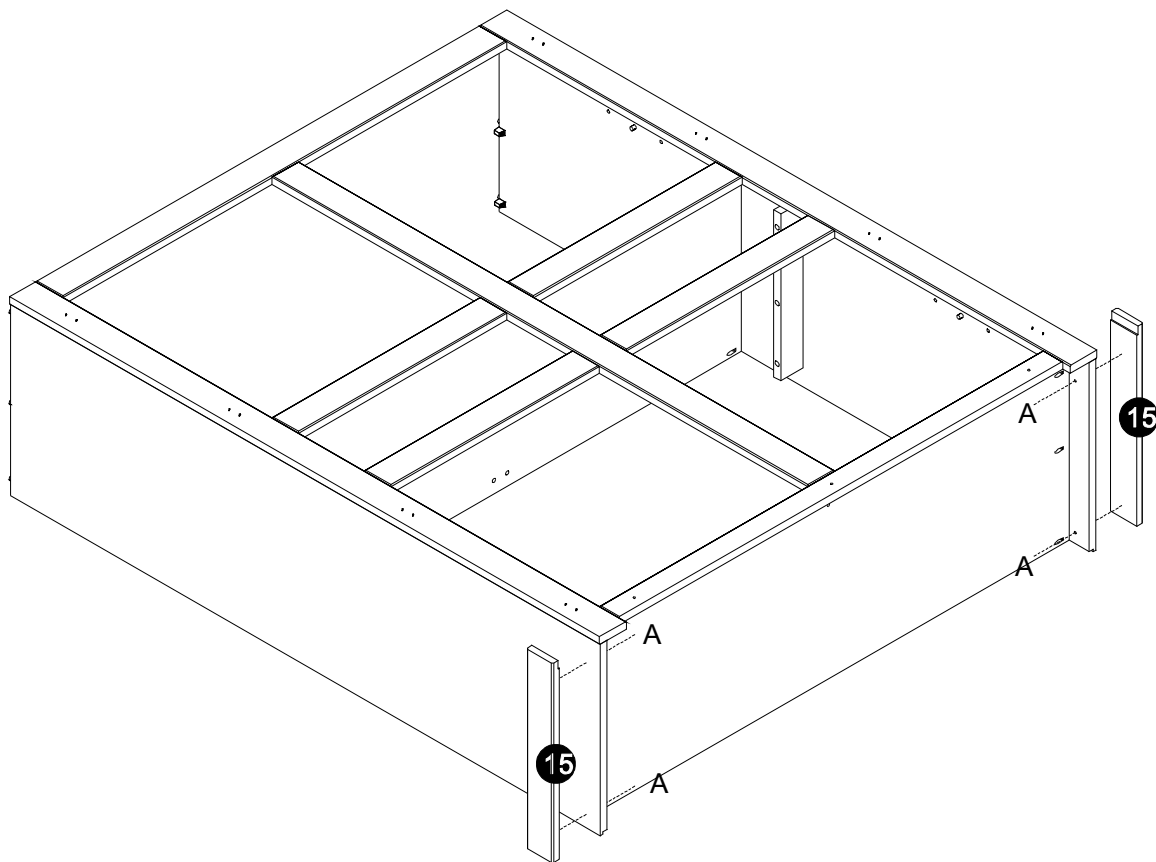
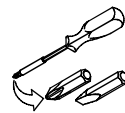
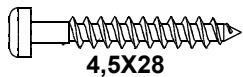
6

A x 12



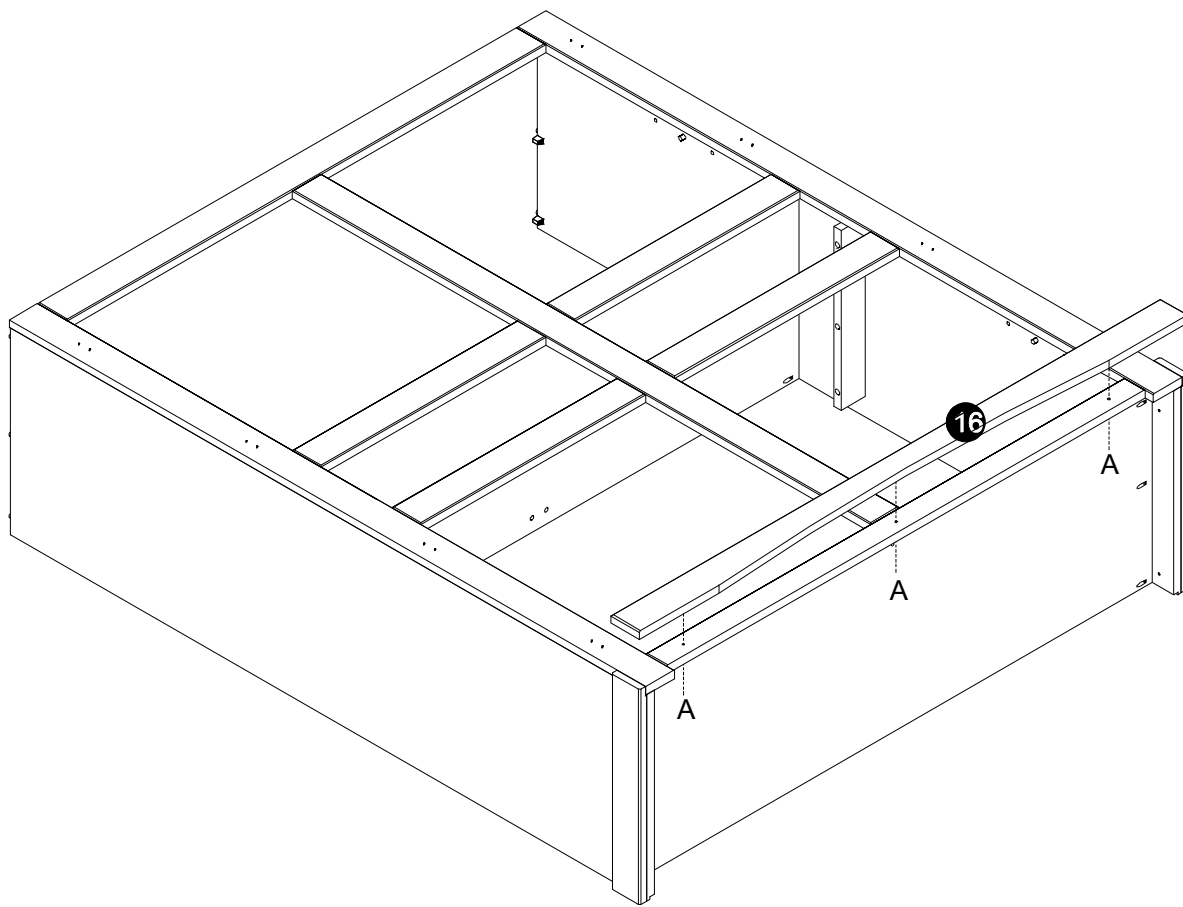
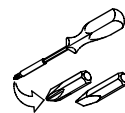
7

A x 04



8

A x 03



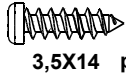
9

A x 08



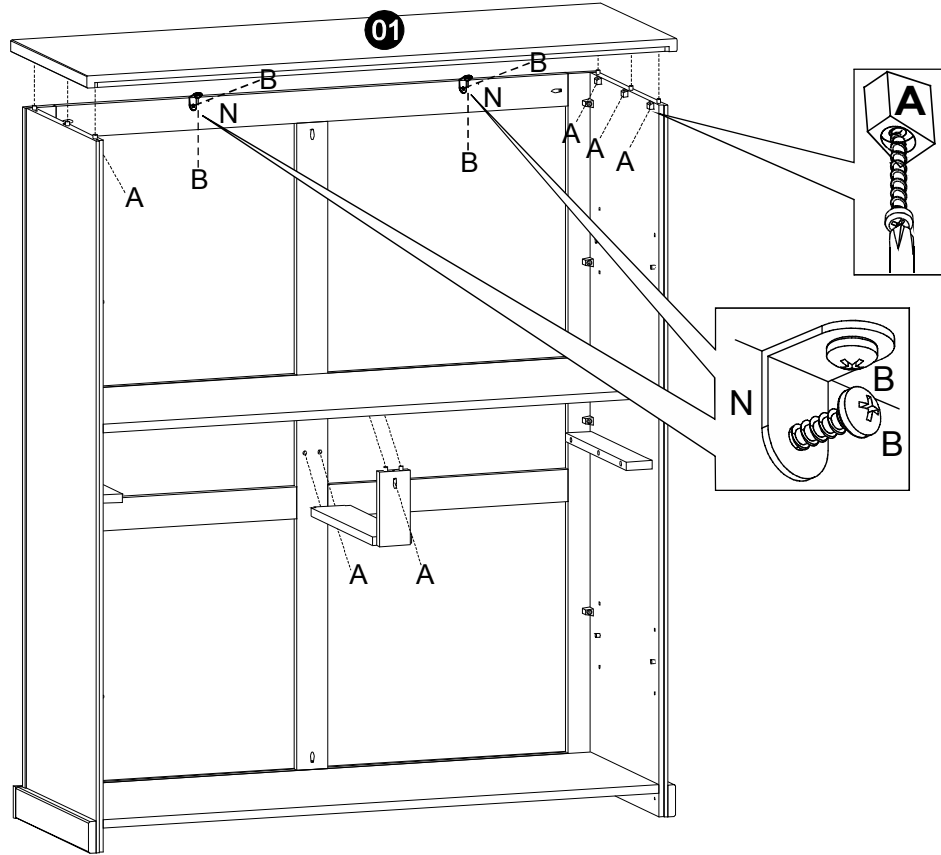
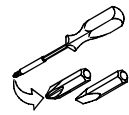
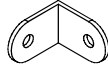
4,5X28

B x 04



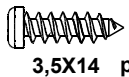
3,5X14 prt

N x 02



10

B x 06



3,5X14 prt

C x 01



F x 02



32x32

G x 01

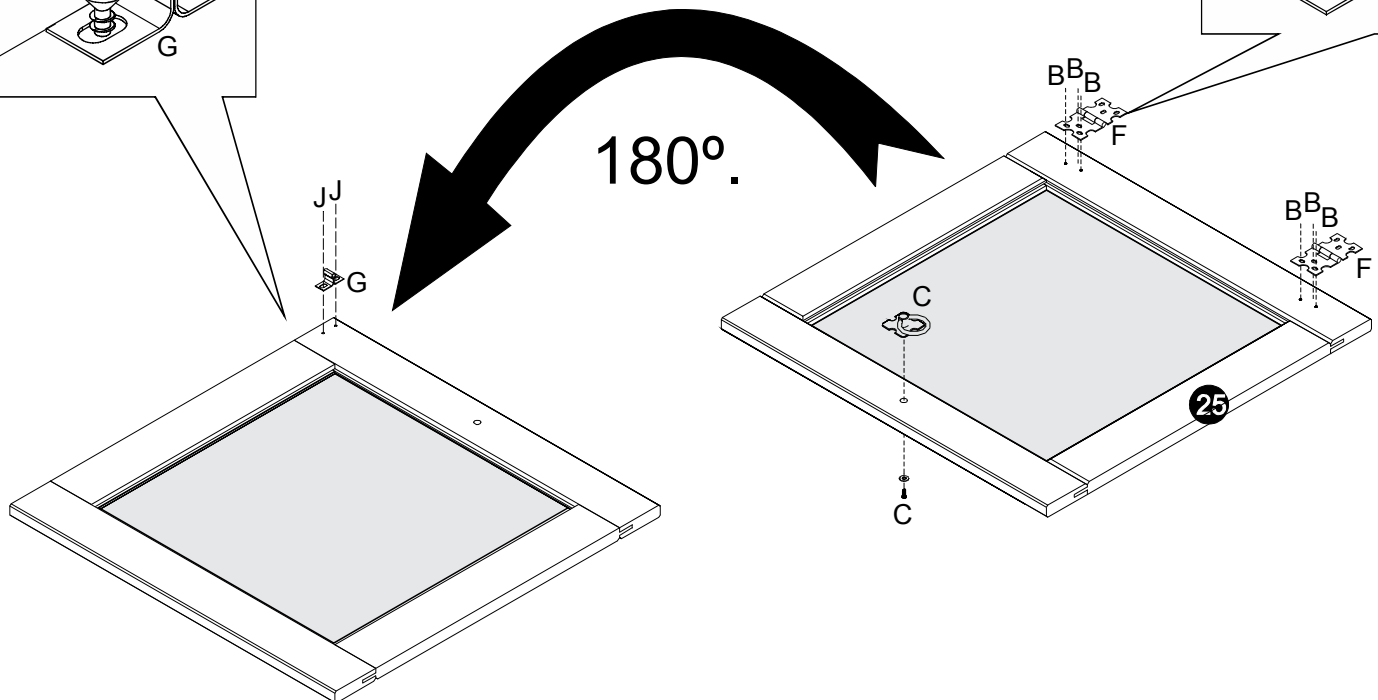
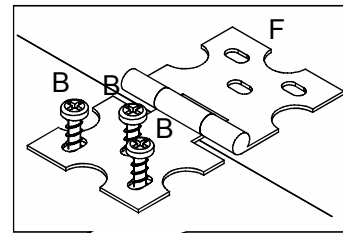
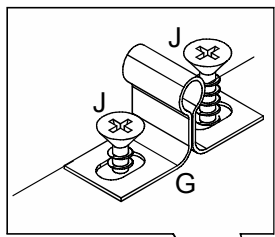
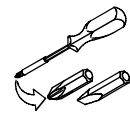


prt

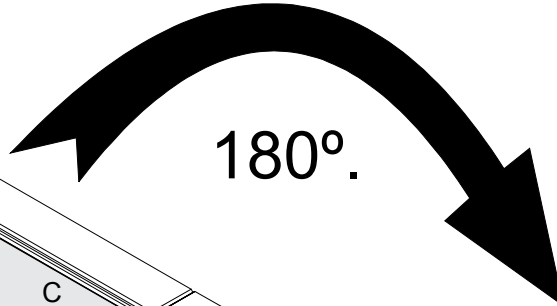
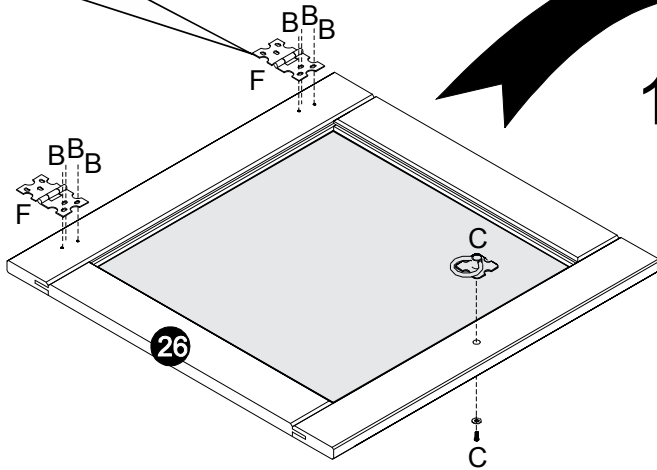
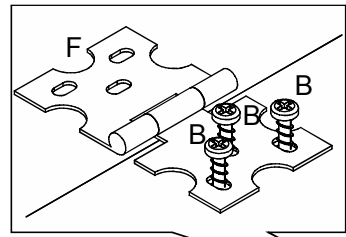
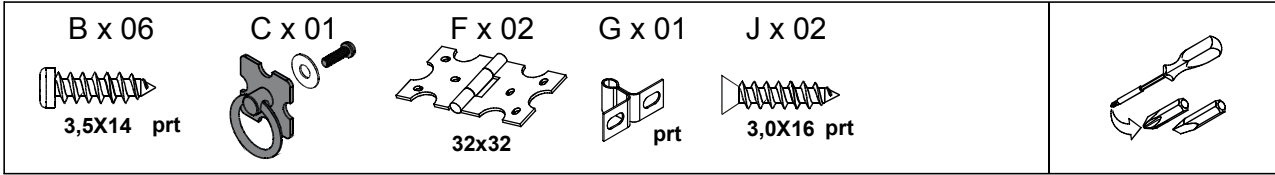
J x 02



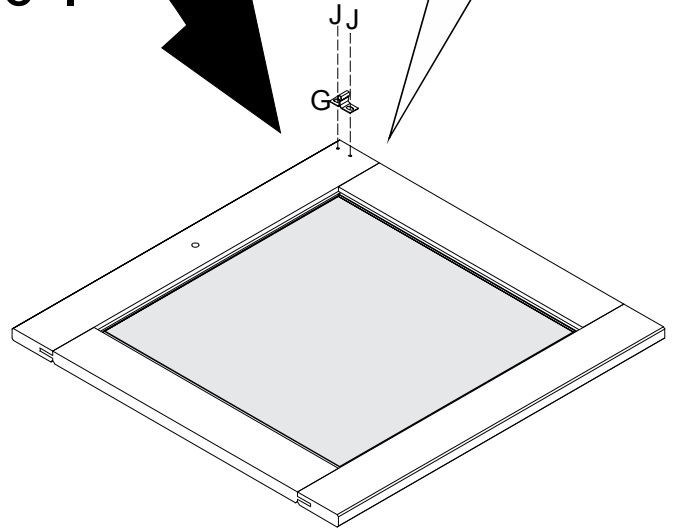
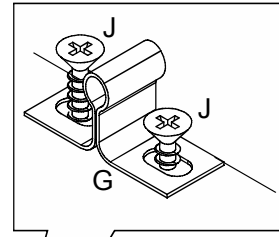
3,0X16 prt



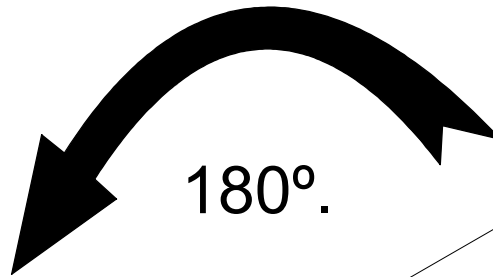
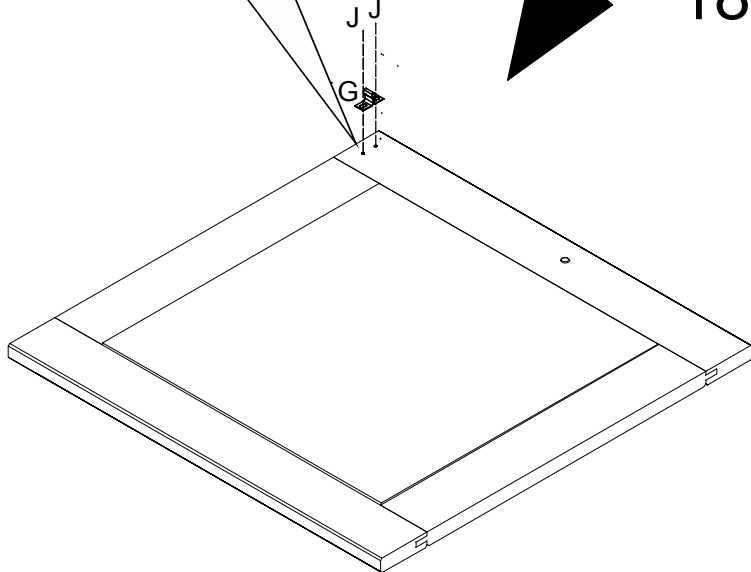
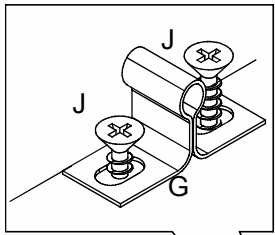
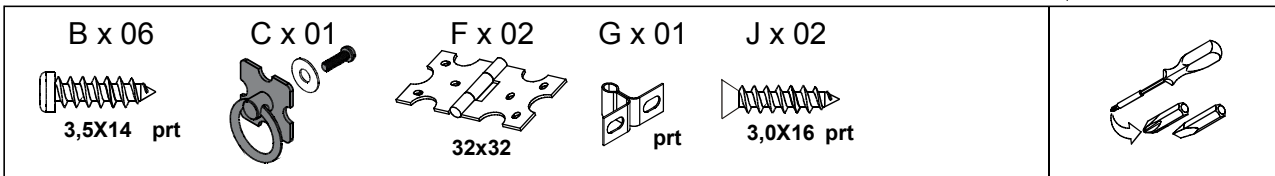
11



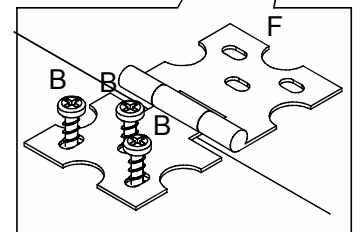
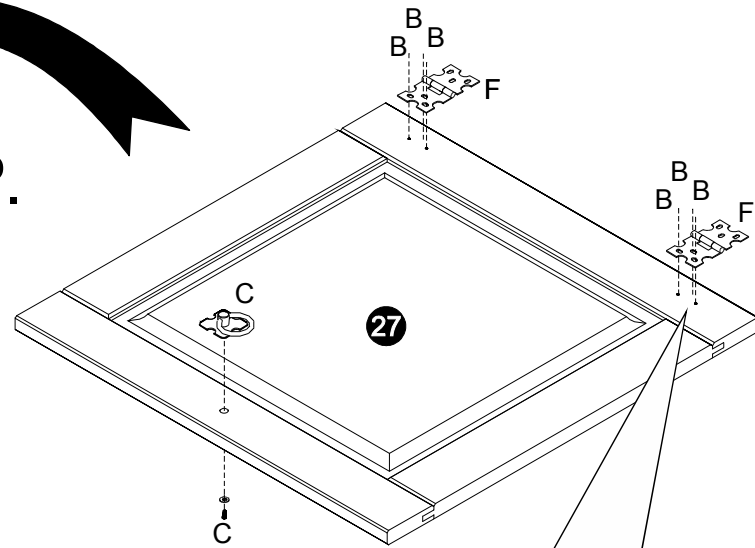
180°.



12

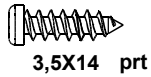


180°.



13

B x 06



3,5X14 prt

C x 01



F x 02



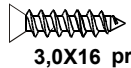
32x32

G x 01

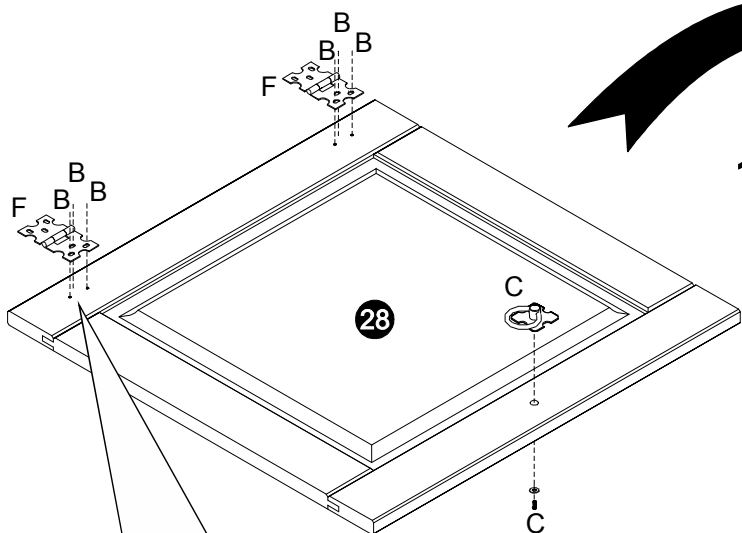
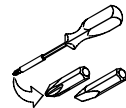


prt

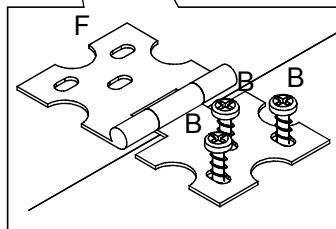
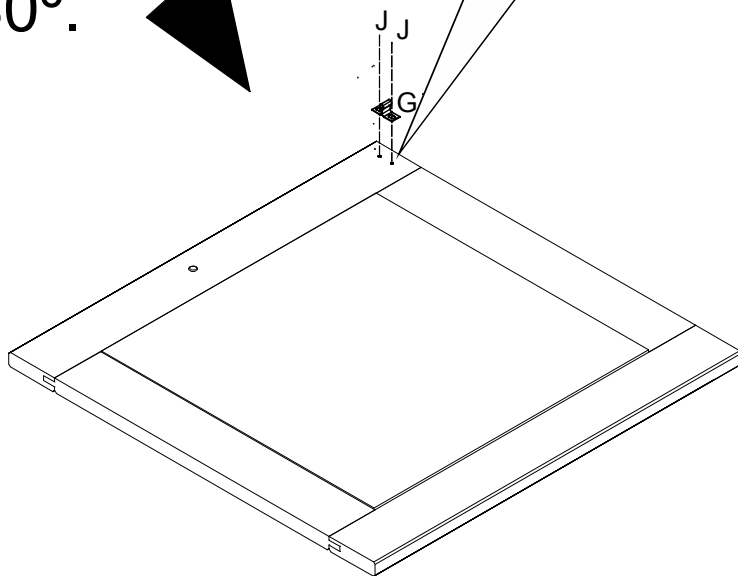
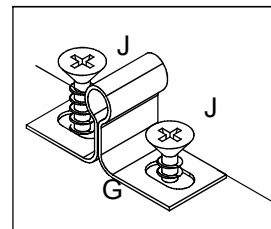
J x 02



3,0X16 prt



180°

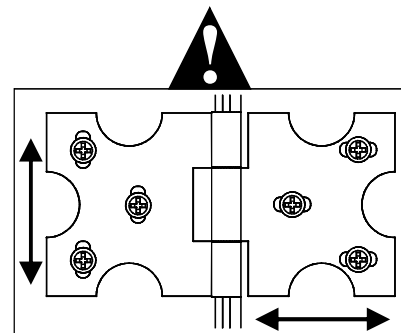
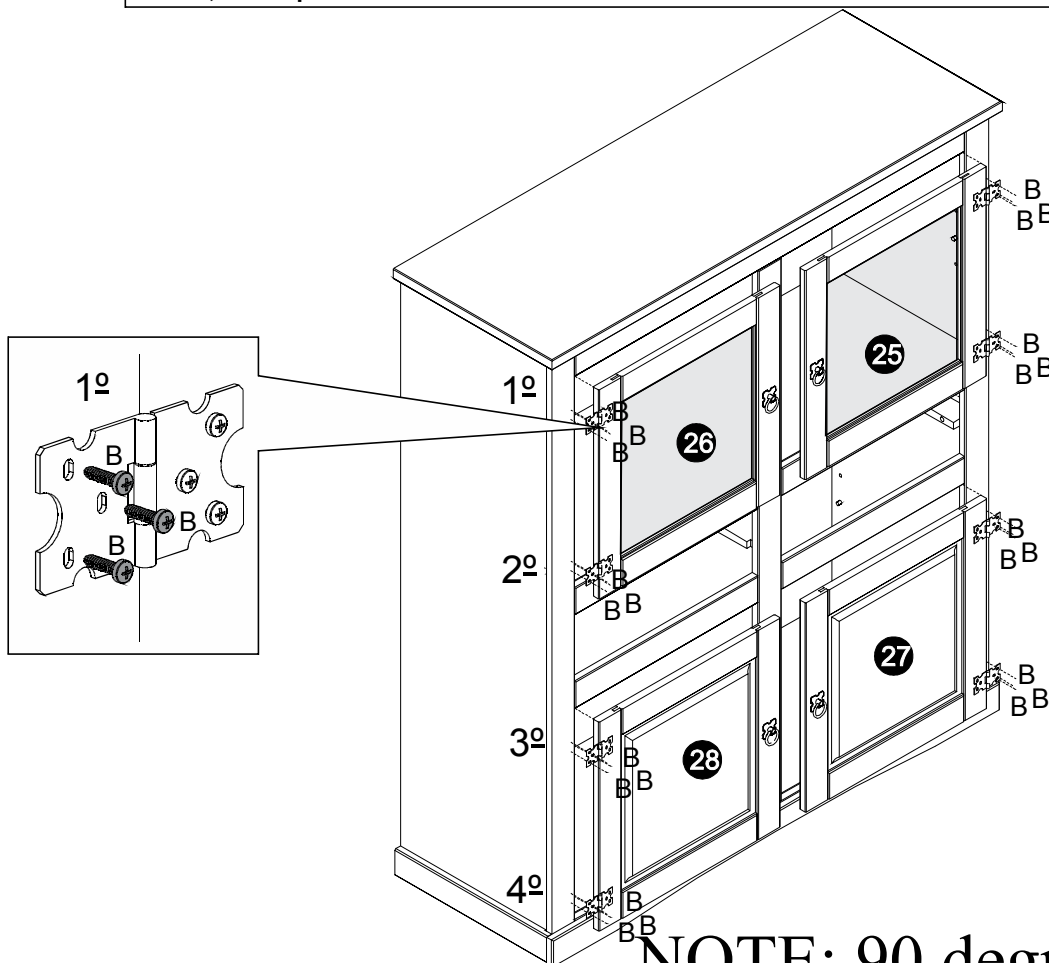
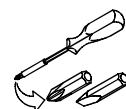


14

B x 24



3,5X14 prt

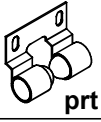


NOTE: 90 degree in this drawing

15

G x 04

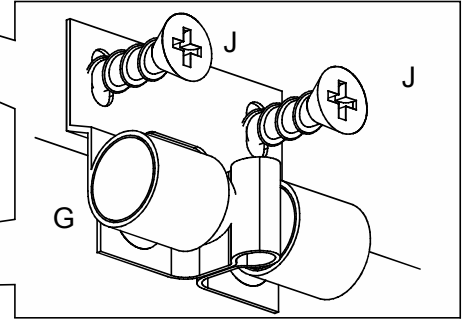
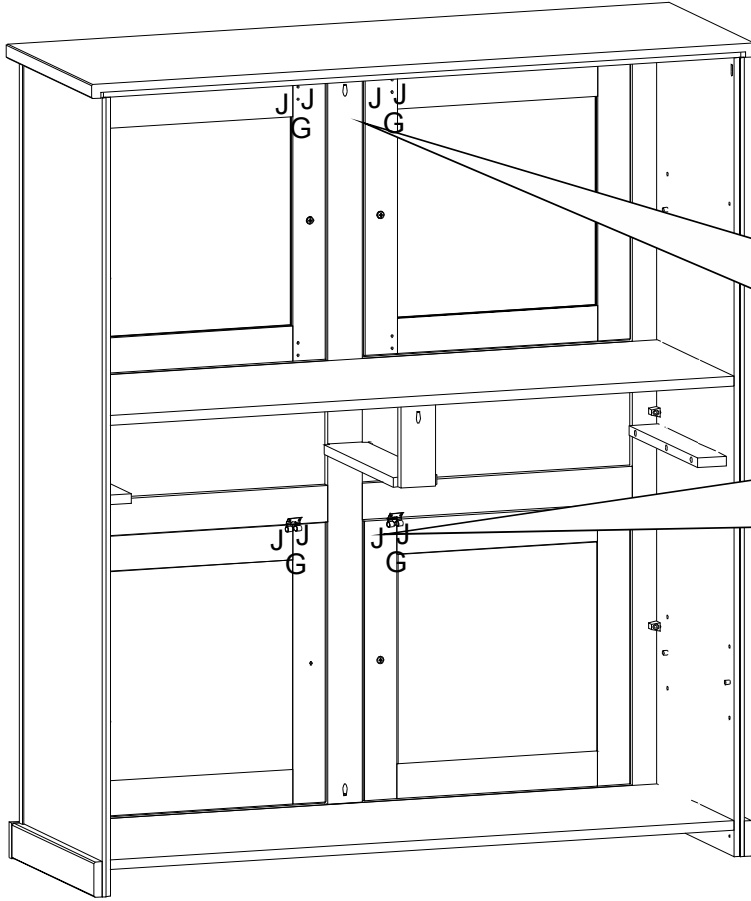
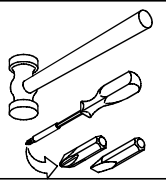
J x 08



prt



3,0X16 prt



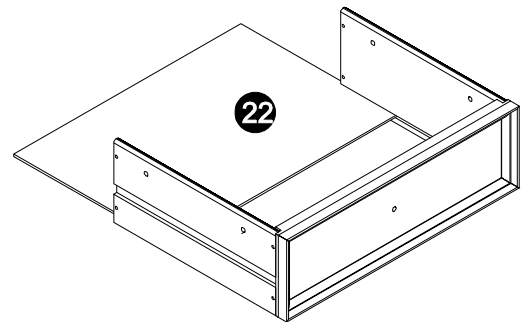
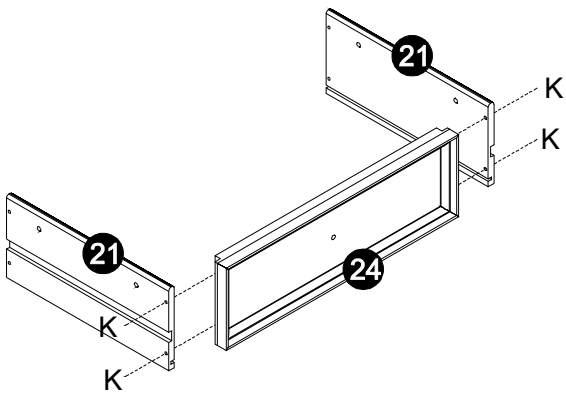
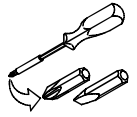
16

C x 02

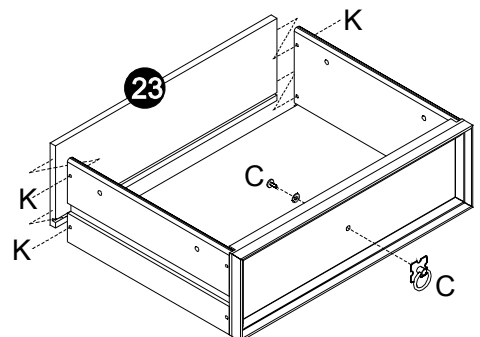
K x 16



3,5X30



2x

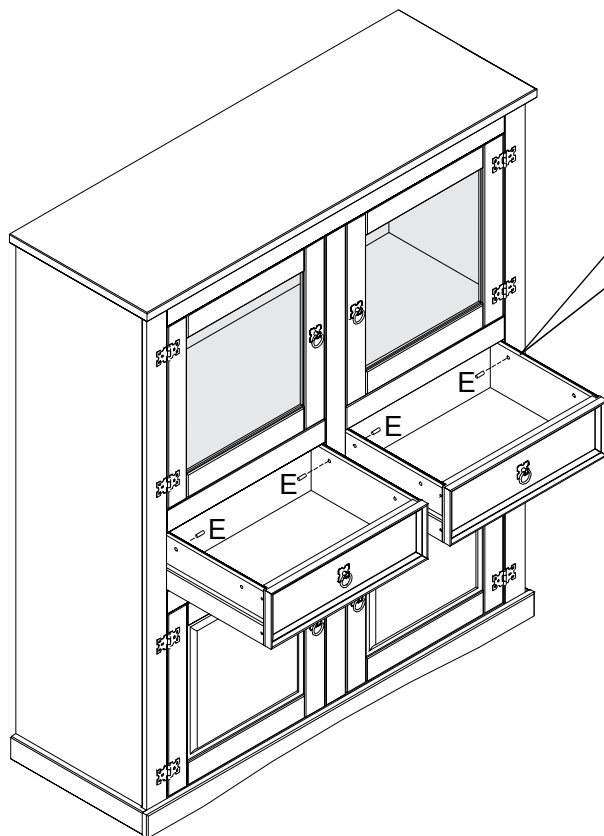


17

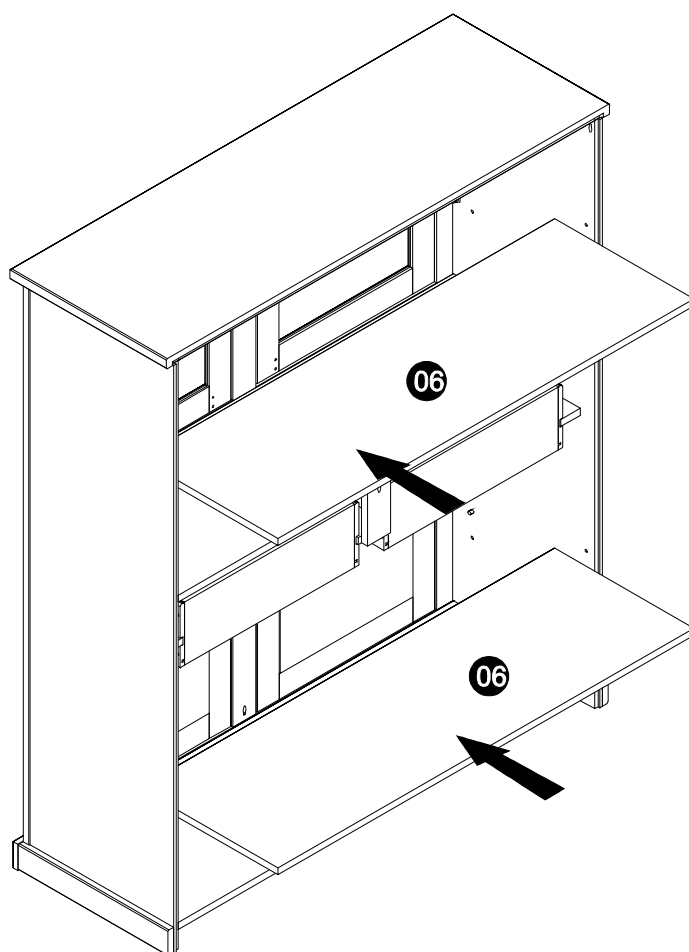
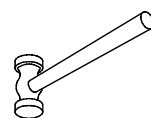
E x 04



8,0x25



18

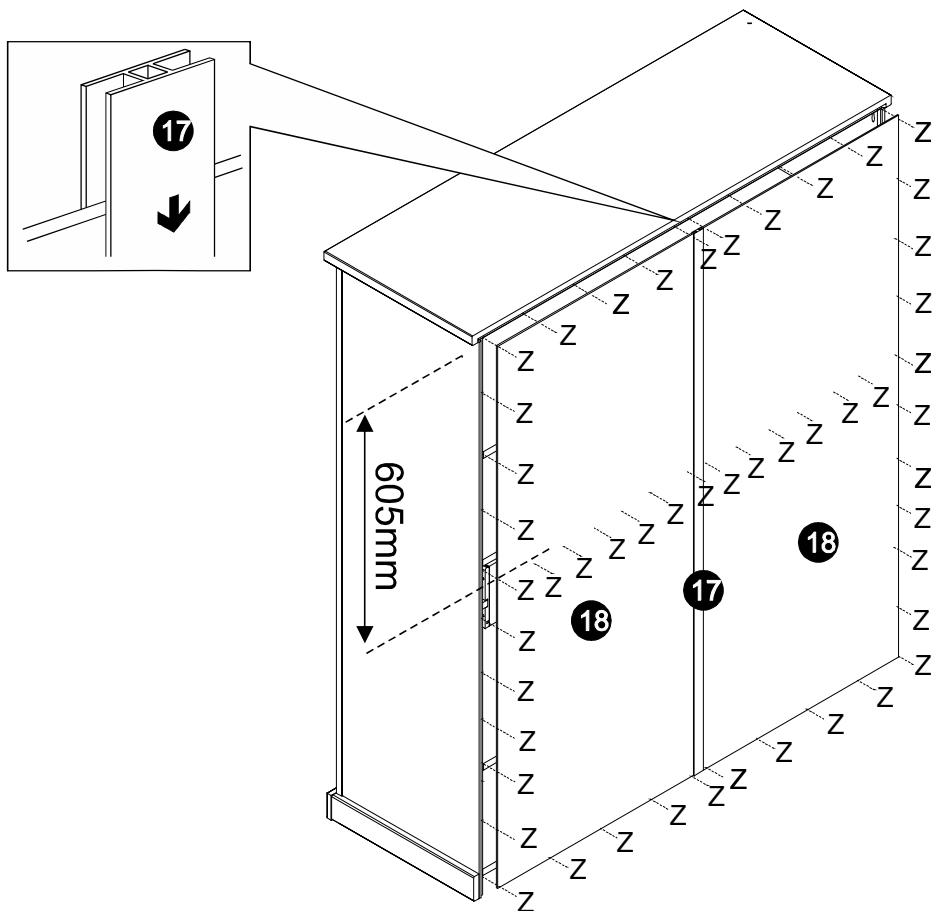
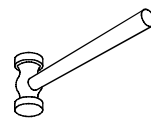


19

Z x 50



8 X 8



20

