

BISTRO

11381

BISTRO

STAND MIXER
ELEKTRISCHE KÜCHENMASCHINE
ROBOT CULINAIRE
KØKKENMASKINE
BATIDORA
ROBOT DA CUCINA
STAANDE MIXER
MATBEREDARE
BATEDEIRA
YLEISKONE
СТАЦИОНАРНЫЙ МИКСЕР

Instruction for use
ENGLISH

Gebrauchsanweisung
DEUTSCH

Mode d'emploi
FRANCAIS

Brugsanvisning
DANSK

Instrucciones de uso
ESPAÑOL

Istruzioni per l'uso
ITALIANO

Gebruiksaanwijzing
NEDERLANDS

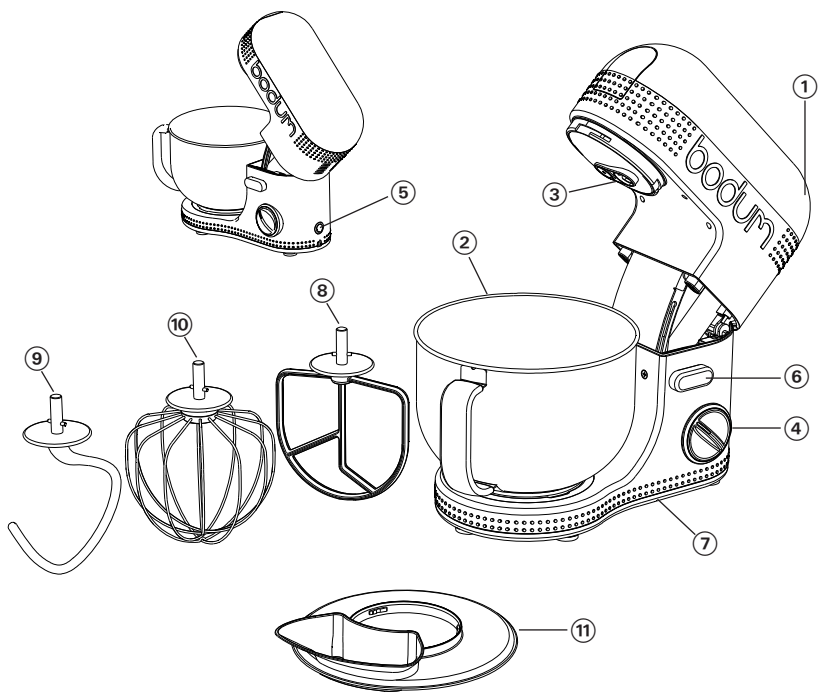
Bruksanvisning
SVENSKA

Manual de Instruções
PORTUGUÊS

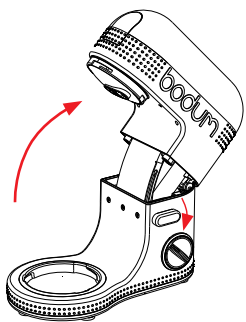
Käyttöohje
SUOMI

Руководство по эксплуатации
РУССКИЙ

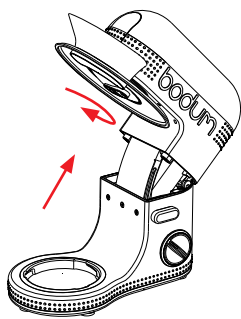




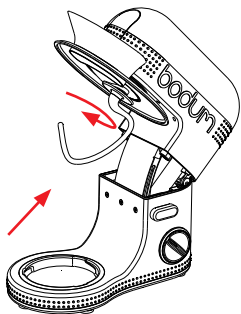
A



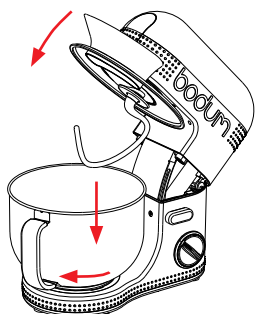
B



C



D



Welcome to BODUM®

Congratulations! You are now the proud owner of a BISTRO stand mixer from BODUM®. Please read these instructions carefully before using the appliance.

IMPORTANT SAFEGUARDS

- Please read all instructions thoroughly before using the appliance for the first time. Failure to observe the instructions and safety information could result in danger.
- After unpacking the appliance, please check for signs of damage. Do not use it if you are unsure and contact your dealer.
- Keep the packaging material (cardboard, plastic bags etc.) out of children's reach (danger of suffocation or injury).
- This stand mixer is intended for use in the home only. Do not use it in the open.
- Do not place the appliance on or adjacent to a gas or electric stove that is switched on, or in a pre-heated oven.
- The manufacturer cannot assume any liability for damage or injury caused by inappropriate or improper use. Use the appliance for its intended purpose only.
- Do not allow children to play with the appliance.
- Close supervision is essential if the appliance is used by children or persons unfamiliar with its operation.
- This appliance is not intended to for use by persons (including children) with reduced physical, sensory or mental capabilities, or lack of experience and knowledge, unless they have been given supervision or instruction concerning use of the appliance by a person responsible for their safety.
- Never touch the appliance with moist or wet hands. Do not touch the power cord or plug with wet hands, either.
- Do not use any accessories that are not recommended by the manufacturer of the appliance. This may result in fire, electric shock or injury.
- Always keep the appliance away from sources of water. Please bear in mind that your stand mixer is an electrical appliance.
- Always only ever clean it with a damp cloth.
- Set the speed control (4) to stop, turn the ON/OFF switch (5) to OFF and remove the plug from the power socket in order to completely deactivate the appliance.
- Hold the plug and not the power cord when disconnecting the stand mixer from the electricity supply.

- Please ensure that the power cord does not hang down over the edge of a table or worktop or come into contact with hot surfaces including the stove.
- Remove the stand mixer's plug from the power supply when it is not in use, when attaching or removing accessories and when you wish to clean it.
- Never put electrical appliances into operation if the power cord or plug is damaged, after malfunctions occur or if the appliance has been dropped or damaged in any way. In this case, have the appliance checked, repaired or adjusted by your nearest service centre.
- Never attempt to replace the appliance's power cord since this requires special tools. Always ensure the appliance is only ever repaired or the power cord replaced by a service centre authorised by the manufacturer in order to ensure its safety.
- Do not immerse the power cord, stand mixer or plug in water or other liquids since this could cause fire, electric shock or injury.
- **CAUTION!** In order to avoid the risk of the appliance overriding the safety shutdown function, it must never be supplied with power by an external switch such as a timer or connected to a power circuit that is regularly activated and deactivated by the utility company.
- The appliance must not be attached to the power supply during cleaning.
- Keep hands, hair, clothing, as well as spatulas and other utensils away from beaters during operation to reduce the risk of injury to persons, and/or damage to the mixer.
- Keep clothing, jewellery, fingers, hair and other utensils away from rotating parts in order to avoid serious personal injury and damage to the appliance.
- Please use the splash guard with filler opening (11) supplied when mixing liquids, or reduce the quantity in order to avoid splashing.
- Please ensure that the speed control (4) is set to stop, that the ON/OFF switch (5) is turned to OFF and that the plug has been removed from the power socket before cleaning it or putting it away.
- Never allow the appliance to run without supervision.
- The maximum rating is based on the dough hook attachment that draws the greatest load (power or current) and that other recommended attachments may draw significantly less power or current.
- Do not use outdoor.
- Remove beaters from mixer before washing.

INSTALLATION

- Always place the stand mixer on a stable, level surface. This may not be hot and must not be near to a source of heat. The surface must be dry. Keep the appliance and the power cord out of the reach of children.
- Check that the voltage indicated on the appliance rating plate matches the voltage of the power supply in your region. Only connect the appliance to a proper socket with a power output rating of at least 6A and a voltage of 220–240V~ 50/60Hz (EURO) or 120V~ 60Hz (USA). (Consult an electrician if you are using a residual-current device (RCD).) The socket must be easily accessible in an emergency when the appliance is in operation. The manufacturer cannot assume any liability for accidents caused by faulty or inadequate electrical earthing of the appliance.
- Have a qualified electrician replace the socket if it is not suitable for the appliance's plug.

PLEASE KEEP THESE INSTRUCTIONS SAFE FOR FUTURE REFERENCE

Separate accessories from BODUM are available for this stand mixer on our website or in our stores. For detailed installation and application guideline please refer to the IB of the accessory.

STAND MIXER PARTS LIST

- 1 Mixing arm
- 2 Bowl
- 3 Insertion opening for mixing attachments
- 4 Speed control
- 5 ON/OFF switch
- 6 Release lever for the mixing arm
- 7 Base
- 8 Beater attachment (1 piece)
- 9 Dough hook attachment (1 piece)
- 10 Whisk attachment (1 piece)
- 11 Splash guard with filler opening

SPECIAL INFORMATION

POWER CORD

- An extension cable may be used provided all appropriate precautions are taken.
- When using an extension cable, the rated power values of the extension cable must be equal to greater than that of

the appliance. If the appliance is earthed, the extension cable must be a three-core earthed cable. The extension cable must not hang over the edge of a table or worktop, children may not be able pull on it and it must not be possible to trip over it.

For USA and Canada only

Grounding instructions

- This appliance must be grounded while in use to protect the operator from electric shock. The Appliance is equipped with a 3-conductor cord and a 3-prong grounding type plug to fit the proper grounding-type receptacle. An adapter should be used for connecting to two-prong receptacles. The grounding tab which extends from the adapter must be connected to a permanent ground such as a properly grounded outlet box. The grounding tab must be properly connected to the ground of the outlet box using a metal screw.

STAND MIXER BEFORE USE

Clean the stand mixer before using it for the first time. Please refer to chapter «MAINTENANCE AND CARE».

USING THE ATTACHMENTS

Your stand mixer comes with the following three mixing attachments: beater (8), dough hook (9) and whisk (10).

BEATER (8)

The beater is suitable for normal mixing tasks such as cakes, biscuits, icing, fillings, eclairs, pastry, sweet dough and creamed potatoes.

DOUGH HOOK (9)

The dough hook is particularly suited for mixing and kneading bread dough, yeast dough and pizza dough.

WHISK (10)

The whisk is suitable for whipping and mixing eggs, cream, thin dough, fat-free sponge, meringue, cheesecake, mousse and soufflés.

SPEED SETTINGS

The stand mixer offers 7 speed settings. Please note that each mixing process should start at the slowest speed before speed is increased to the recommended level as described below.

POSITION STOP

The appliance is turned off in this position. Always set the speed to position stop, turn the ON/OFF switch (5) to OFF and remove the plug from the power socket for cleaning or storing the appliance.

POSITION 1

Position 1 is suitable for mixing flour with liquid and for adding dry ingredients. This speed must not be used for kneading heavy dough types.

POSITION 2

Position 2 is suitable for fast stirring and for mixing and kneading yeast dough and other heavy dough types.

POSITION 3-4

These positions are suitable for mixing medium-heavy dough types.

POSITION 5

This position is suitable for stirring or beating.

POSITION 6

Position 6 is suitable for whipping cream, egg whites and icing. You should use the splash guard with filler opening (11) at this position at the latest. Attach the splash guard with filler opening as described in chapter:

«HOW TO USE YOUR STAND MIXER».

POSITION «MAX»

Position «Max» is suitable for whipping or beating small quantities of cream or egg white.

HOW TO USE YOUR STAND MIXER

FIGURE A

- Before fitting the mixing attachments (8, 9, 10), splash guard with filler opening (11) or bowl (2), please ensure that the speed control (4) is set to stop, that the ON/OFF switch (5) is turned to OFF and that the plug has been removed from the power socket.
- Press the release lever for the mixing arm (6) down at the same as as raising the mixing arm until it clicks into the open position.

FIGURE B

- Press the splash guard with filler opening (11) onto the mixing arm (1) as far as it will go and lock it in place by turning it gently in a clockwise direction. This bayonet catch fastens the splash guard with filler opening (11) firmly to the stand mixer.

FIGURE C

- Insert the mixing attachment (8, 9, 10) into the opening (3) as far as it will go and then turn it in a clockwise direction.

FIGURE D

- Place the bowl (2) on the base (7), press it down and lock it in place by turning it in a clockwise direction.
- Press the release lever for the mixing arm (6) and lower the mixing arm (11) slowly.
- The stand mixer can be used once the plug is inserted into the power socket and the ON/OFF switch (5) is turned to ON.

REMOVING THE INDIVIDUAL ATTACHMENTS

- Before removing the mixing attachments (8, 9, 10), splash guard with filler opening (11) or bowl (2), please ensure that the speed control (4) is set to stop, that the ON/OFF switch (5) is turned to OFF and that the plug has been removed from the power socket.
- In order to remove the bowl (2) you must first press the release lever for the mixing arm (6), raise the mixing arm (1) and release the bowl (2) from the stand mixer by turning it in an anti-clockwise direction.
- In order to remove a mixing attachment (8, 9, 10) you must first press the release lever for the mixing arm (6), raise the mixing arm (1) and release the mixing attachment (8, 9, 10) from the stand mixer by turning it in an anti-clockwise direction.
- In order to remove the splash guard with filler opening (11) you must first press the release lever for the mixing arm (6), raise the mixing arm (1) and release the bowl splash guard with filler opening (11) from the stand mixer by turning it in an anti-clockwise direction.

HOW TO USE THE SPLASH GUARD WITH FILLER OPENING

- After attaching the splash guard with filler opening (11) as described in «HOW TO USE YOUR STAND MIXER» it will protect worktops and the stand mixer against splattering. You can also use the filler opening to add ingredients to the bowl (2).

CONNECTING THE POWER SUPPLY

- The mixing attachments (8, 9, 10) must always be fitted before connecting the stand mixer to the power supply.
- Before connecting the stand mixer to the power supply, please ensure that the speed control (4) is set to stop and that the ON/OFF switch (5) is turned off.
- Before operating the stand mixer the mixing arm (1) must have been closed and clicked into position. The stand mixer has a safety feature which ensures that the stand mixer cannot start while the mixing arm is raised.

MIXING

- **IMPORTANT.** The stand mixer must be switched off after 5 minutes permanent operation for a period of 10 minutes to prevent the motor from overheating.
For processing stiff bread dough or pizza dough do not use more than 1 kg of flour. The operation should take no longer than 5 minutes.
- Lower the mixing attachment (8,9,10) into the ingredients in the bowl (2) and click the mixing arm (6) into place. Then use the speed control (4) to select the desired speed. Please refer to chapter «SPEED SETTINGS».
- Use the splash guard (11) to avoid spattering.
- When you have finished mixing, set the speed control (4) to stop, turn the ON/OFF switch to OFF and remove the plug from the power socket.

REMOVING MIXING ATTACHMENTS

- Please ensure that the speed control (4) is set to stop, that the ON/OFF switch (5) is turned to OFF and that the plug has been removed from the power socket.
- It is essential that the mixing attachment has stopped rotating. Remove the mixing attachment (8,9,10) from the insertion opening (3) by turning it in an anti-clockwise direction.

MAINTENANCE AND CARE

- Before cleaning, set the speed control (4) to stop, turn the ON/OFF switch (5) to OFF and remove the plug from the power socket.
- Never use scouring powder.
- Any other servicing should be performed by an authorized service representative.

CLEANING THE MIXING ATTACHMENTS

- Excess ingredients can be removed from the mixing attachments (8, 9, 10) with a rubber or plastic scraper.
- The mixing attachments (8, 9, 10), splash guard (11) and bowl (2) can be washed by hand or in the dishwasher.

CLEANING THE HOUSING

- The entire housing of the stand mixer may only be cleaned with a damp cloth.
- Never immerse the stand mixer, the plug or the power cable in water. Please bear in mind that it is an electrical appliance.

STORAGE

- Always remove the mixing attachment (8, 9, 10) when the stand mixer is not in use.
- The mixing arm (11) must always be lowered when the stand mixer is stored.
- Always unplug the stand mixer when it is not in use.

TECHNICAL SPECIFICATIONS

Rated voltage EURO	220–240V~ 50/60Hz
Rated voltage USA	120V~ 60Hz
Rated power EURO	700 W
Rated power USA	700 W
Capacity	4.7 litres / 160 oz
Power cord length	approx. 100 cm / 39 inches
Certifications	GS, CE, ETL, CETL

Correct disposal for this product



This marking indicates that this product should not be disposed with other household wastes throughout the EU. To prevent possible harm to the environment or human health from uncontrolled waste disposal, recycle it responsibly to promote the sustainable reuse of material resources. To return your used device, please use the return and collection systems or contact the retailer where the product was purchased. They can take this product for environmental safe recycling.

SERVICE & WARRANTY CONDITIONS

All BODUM® products are manufactured from high-quality, durable materials. However, if individual parts do need replacing at any time please contact your BODUM® dealer, a BODUM® store, the BODUM® representative in your country or visit: www.bodum.com.

Warranty. For the «BISTRO» stand mixer, BODUM® provides a 2-year warranty from the date of purchase for all material defects or malfunctions that are due to design or manufacturing flaws. Repair will be effected free of charge provided all warranty conditions are met. It is not possible to refund the purchase price.

Warranty conditions. The warranty certificate must be completed by the seller at the time of purchase. BODUM® will not provide warranty for damage resulting from inappropriate use, improper handling, normal wear and tear, inadequate or incorrect maintenance or care, incorrect operation or use of the appliance by unauthorised persons.

Willkommen bei BODUM®

Herzlichen Glückwunsch! Sie sind nun stolzer Besitzer einer elektrischen BISTRO Küchenmaschine von BODUM®. Lesen Sie diese Anleitung sorgfältig durch, bevor Sie die Küchenmaschine benutzen.

WICHTIGE SICHERHEITSHINWEISE

- Lesen Sie alle Hinweise genau durch, bevor Sie das Gerät zum ersten Mal benutzen. Jede Nichtbeachtung der Anweisungen und Sicherheitshinweise kann Gefahrensituationen hervorrufen.
- Überprüfen Sie das Gerät nach dem Auspacken auf Schäden. Verwenden Sie es nicht, wenn Sie nicht sicher sind, sondern kontaktieren Sie Ihren Händler.
- Bewahren Sie das Verpackungsmaterial (Karton, Plastikbeutel usw.) ausserhalb der Reichweite von Kindern auf (Erstickungs- oder Verletzungsgefahr).
- Diese Küchenmaschine ist nur für den Gebrauch im Haushalt gedacht. Verwenden Sie sie nicht im Freien.
- Stellen Sie das Gerät nicht auf oder neben einen eingeschalteten Gas- oder Elektroherd bzw. in einen vorgeheizten Ofen.
- Für Schaden oder Verletzungen, die durch unsachgemässen oder unvorschriftsmässigen Gebrauch entstehen, übernimmt der Hersteller keine Haftung. Verwenden Sie das Gerät ausschliesslich für den vorgesehenen Zweck.
- Lassen Sie Kinder nicht mit dem Gerät spielen.
- Sollten Kinder bzw. Personen, die damit nicht vertraut sind, das Gerät verwenden, ist eine genaue Beaufsichtigung erforderlich.
- Dieses Gerät ist für die Verwendung durch kleine Kinder oder gebrechliche Personen nicht geeignet, es sei denn, eine verantwortliche Person beaufsichtigt dies und sorgt für einen sicheren Gebrauch des Geräts.
- Berühren Sie das Gerät nie mit feuchten oder nassen Händen. Berühren Sie auch das Netzkabel oder den Stecker nicht mit nassen Händen.
- Verwenden Sie kein Zubehör, das nicht vom Gerätehersteller empfohlen wird. Dies kann zu Bränden, elektrischen Schlägen oder Verletzungen führen.
- Halten Sie das Gerät stets vor Wasserquellen fern. Denken Sie daran: Ihre Küchenmaschine ist ein Elektrogerät.

- Reinigen Sie das Gerät immer nur mit einem feuchten Tuch.
- Schalten Sie den Geschwindigkeitsregler (4) in die stop Position, den EIN/AUS- Schalter (5) auf OFF und ziehen Sie den Stecker aus der Steckdose, um das Gerät auszuschalten.
- Ziehen Sie am Stecker und nicht am Kabel, um die Küchenmaschine vom Strom zu trennen.
- Achten Sie darauf, dass das Netzkabel nicht über die Kante von Tisch oder Arbeitsfläche hängt bzw. mit heißen Oberflächen in Berührung kommt.
- Stecken Sie die Küchenmaschine aus, wenn sie nicht gebraucht wird, wenn sie Zubehörteile aufstecken oder abnehmen und Sie sie reinigen wollen.
- Nehmen Sie elektrische Geräte keinesfalls in Betrieb, wenn Netzkabel oder Stecker beschädigt sind, nachdem Fehlfunktionen aufgetreten sind oder wenn das Gerät auf irgendeine Art beschädigt wurde. Bringen Sie das Gerät in diesem Fall zur Kontrolle, Reparatur oder Einstellung beim nächstgelegenen autorisierten Servicestützpunkt.
- Versuchen Sie nie, das Netzkabel des Geräts auszutauschen, dahierfür Spezialwerkzeuge erforderlich sind. Lassen Sie die Reparatur oder den Austausch des Netzkabels ausschliesslich in einer vom Hersteller autorisierten Servicewerkstätte durchführen, um die Sicherheit des Geräts zu gewährleisten.
- Tauchen Sie Kabel, Küchenmaschine und Stecker nicht in Wasser oder andere Flüssigkeiten, da dies Brände, elektrische Schläge oder Verletzungen verursachen könnte.
- **VORSICHT:** Um die Gefahr eines Wiedereinschaltens der Sicherheitsabschaltung zu vermeiden, darf das Gerät nicht über eine externe Schaltvorrichtung wie beispielsweise eine Zeitschaltuhr versorgt werden oder mit einem Stromkreis verbunden sein, der regelmässig durch das Stromversorgungsunternehmen ein- und ausgeschaltet wird.
- Während der Reinigung des Gerätes darf dieses nicht an den Strom angeschlossen sein.
- Berühren Sie keine rotierenden Teile.
- Halten Sie Bekleidungsstücke, Schmuck, Finger, Haare und Utensilien von rotierenden Teilen fern, um schwere Verletzungen an Personen und Schäden am Gerät zu vermeiden.
- Benutzen Sie beim Mischen von Flüssigkeiten, den mitgelieferten Spritzschutz mit Einfüllöffnung (11) oder reduzieren Sie die Menge, um Spritzer zu vermeiden.
- Vergewissern Sie sich, dass sich der Geschwindigkeitsregler (4) in der stop Position befindet, der EIN/AUS- Schalter (5) auf OFF steht und das Gerät ausgesteckt ist, bevor Sie es reinigen oder ausser Betrieb nehmen.
- Lassen Sie das Gerät nie ohne Beaufsichtigung laufen.

INSTALLATION

- Stellen Sie die Küchenmaschine stets auf eine stabile, ebene Fläche. Diese darf weder heiss sein noch sich in der Nähe einer Hitzequelle befinden. Die Oberfläche muss trocken sein. Bewahren Sie das Gerät und das Netzkabel ausserhalb der Reichweite von Kindern auf.
- Überprüfen Sie, ob die auf dem Typenschild des Geräts angegebene Spannung mit der Netzspannung in Ihrer Region übereinstimmt. Schliessen Sie das Gerät nur an eine ordnungsgemäss Steckdose mit einer Ausgangsleistung von mindestens 6A und einer Spannung von 220–240V~ 50/60Hz (120V~ 60Hz). (Verwenden Sie einen Fehlerstromschutzschalter (RCD), fragen Sie einen Elektriker um Rat.) Während der Verwendung des Geräts muss die Steckdose im Notfall gut zugänglich sein. Für Unfälle, die durch eine mangelhafte oder fehlende Erdung des Geräts verursacht werden, übernimmt der Hersteller keine Haftung.
- Ist die Steckdose für den Stecker Ihres Geräts nicht geeignet, lassen Sie sie durch einen geprüften Elektriker austauschen.

BEWAHREN SIE DIESE GEBRAUCHSANWEISUNG AUF

Separates Zubehör von BODUM ist für diese Küchenmaschine auf unserer Internetseite oder in unseren Läden erhältlich. Genaue Angaben zum Gebrauch und zur Installation entnehmen Sie der Bedienungsanleitung des Zubehörs.

TEILELISTE DER KÜCHENMASCHINE

- 1 Rührarm
- 2 Schüssel
- 3 Einstecköffnung für Rührwerkzeug
- 4 Geschwindigkeitsregler
- 5 EIN/AUS- Schalter
- 6 Entriegelungshebel für den Rührarm
- 7 Sockel
- 8 Aufsatz Rührquirl (1 Stück)
- 9 Aufsatz Knethaken (1 Stück)
- 10 Aufsatz Schwingbesen (1 Stück)
- 11 Spritzschutz mit Einfüllöffnung

BESONDERE HINWEISE

NETZKABEL

- Nach Einhaltung entsprechender Vorsichtsmassnahmen kann ein Verlängerungskabel verwendet werden.
- Bei Verwendung eines Verlängerungskabels müssen die angegeben elektrischen Nennwerte des Verlängerungskabels mindestens denen des Geräts entsprechen. Ist das Gerät geerdet, muss das Verlängerungskabel ein dreidriges, geerdetes Kabel sein. Das längere Kabel ist so zu verlegen, dass es nicht über die Tischkante oder den Rand der Arbeitsplatte hängt, Kinder nicht daran ziehen können und man nicht darüber stolpern kann.

VOR GEBRAUCH DER KÜSCHENMASCHINE

Reinigen Sie die Küchenmaschine vor dem ersten Gebrauch. Siehe Kapitel «WARTUNG UND PFLEGE».

VERWENDUNG DER AUFSÄTZE

Ihre Küchenmaschine ist mit den folgenden drei Rührwerkzeugen ausgestattet: dem Rührquirl (8), dem Knethaken (9) und dem Schwingbesen (10).

RÜHRQUIRL (8)

Der Rührquirl eignet sich für das normale Mischen von Kuchen, Keksen, Gebäck, Glasuren, Füllungen, Eclairs, Pasteten, Teig, Süss Brote und Kartoffelbrei.

KNETHAKEN (9)

Der Knethaken eignet sich besonders für das Mischen und Kneten von Brotteig, Hefeteig und Pizzateig.

SCHWINGBESEN (10)

Der Schwingbesen eignet sich zum Schlagen und Mischen von Eier, Sahne, Teig, fettfreien Biskuitteig, Baiser, Käsekuchen, Mousse, Soufflés.

GESCHWINDIGKEITSEINSTELLUNGEN

Die Küchenmaschine hat 7 Geschwindigkeitsstufen zur Verfügung. Beachten Sie dass bei jedem Mischvorgang mit der niedrigsten Stufe begonnen wird. danach schalten Sie nach folgendem Beschrieb auf die jeweilige Stufe hoch.

STUFE STOP

In dieser Position ist das Gerät ausgeschaltet. Für die Reinigung oder Aufbewahrung den Geschwindigkeitsregler (A) immer in die stop-Position stellen, den EIN/AUS- Schalter (5) auf OFF schalten und den Netzstecker ziehen.

STUFE 1

Stufe 1 eignet sich für das Mischen von Mehl mit Flüssigkeit sowie zum Hinzufügen von trockenen Zutaten. Diese Stufe darf nicht für das Kneten von schweren Teigsorten genutzt werden.

STUFE 2

Die Stufe 2 eignet sich zum schnelleren Umrühren sowie zum mischen und Kneten von Hefeteig sowie anderen schweren Teigsorten.

STUFE 3-4

Diese Stufen eignen sich zum Mischen von mittelschweren Teigsorten.

STUFE 5

Diese Stufe eignet sich zum Rühren oder Schlagen.

STUFE 6

Die Stufe 6 eignet sich um Schlagsahne, Eiweiss und Zuckergüsse zu schlagen. Spätestens ab dieser Stufe sollten Sie den Spritzschutz mit Einfüllöffnung (11) montieren. Befestigen Sie den Spritzschutz mit Einfüllöffnung (11) gemäss Kapitel «SO VERWENDEN SIE IHRE KÜCHENMASCHINE».

STUFE «MAX»

Stufe max eignet sich zum Schlagen von kleinen Mengen Schlagsahne oder Eiweiss.

SO VERWENDEN SIE IHRE KÜCHENMASCHINE

ABBILDUNG A

Bevor Sie die Rührwerkzeuge (8, 9, 10), Spritzschutz mit Einfüllöffnung (11) oder die Schüssel (2) montieren können, vergewissern Sie sich, dass sich der Geschwindigkeitsregler (4) in der stop Position befindet, der EIN/AUS- Schalter (5) auf OFF steht und der Netzstecker ausgesteckt ist.

Drücken Sie den Entriegelungshebel für den Rührarm (6) nach unten. Heben Sie gleichzeitig den Rührarm (1) hoch bis er in der offenen Position einrastet.

ABBILDUNG B

Drücken Sie den Spritzschutz mit Einfüllöffnung (11) bis zum Anschlag an den Rührarm (1) und arretieren Sie diesen mit einer leichten Drehbewegung im Uhrzeigersinn. Durch den Bajonettverschluss ist der Spritzschutz mit Einfüllöffnung (11) fest an der Küchenmaschine fixiert.

ABBILDUNG C

Schieben Sie das Rührwerkzeug (8, 9, 10) bis zum Anschlag mit anschließender Drehbewegung im Uhrzeigersinn in die Einsteckvorrichtung für Rührwerkzeug (3) ein.

ABBILDUNG D

Setzen Sie die Schüssel (2) auf den Sockel (7), drücken Sie sie nach unten und drehen Sie sie zum Arretieren im Uhrzeigersinn. Betätigen Sie anschliessen den Entriegelungshebel für den Rührarm (6) und klappen Sie den Rührarm (1) langsam herunter.

Nach einstecken des Netzsteckers und einschalten des EIN/AUS- Schalter (5) kann die Küchenmaschine in Betrieb genommen werden.

DEMONTAGE DER EINZELNEN ZUSATZKOMPONENTEN

Bevor Sie die Schüssel (2), ein Rührwerkzeug (8, 9, 10) oder den Spritzschutz mit Einfüllöffnung (11) demontieren, vergewissern Sie sich, dass sich der Geschwindigkeitsregler (4) in der stop Position befindet, der EIN/AUS- Schalter (5) auf OFF steht und der Netzstecker ausgesteckt ist.

Um die Schüssel (2) herauszunehmen müssen Sie den Entriegelungshebel für den Rührarm (6) betätigen, den Rührarm (1) aufklappen und die Schüssel (2) mit einer Drehbewegung im Gegenuhrzeigersinn von der Küchenmaschine lösen.

Um ein Rührwerkzeug (8, 9, 10) herauszunehmen müssen Sie den Entriegelungshebel für den Rührarm (6) betätigen, den Rührarm (1) aufklappen und das Rührwerkzeug (8, 9, 10) mit einer Drehbewegung im Gegenuhrzeigersinn aus der Einsteckvorrichtung für Rührwerkzeug (3) lösen.

Um den Spritzschutz mit Einfüllöffnung (11) zu lösen müssen Sie den Entriegelungshebel für den Rührarm (6) betätigen, den Rührarm (1) aufklappen und den Spritzschutz mit Einfüllöffnung (11) mit einer Drehbewegung im Gegenuhrzeigersinn vom Rührarm (1) lösen.

SO VERWENDEN SIE DEN SPRITZSCHUTZ MIT EINFÜLL-ÖFFNUNG

Nach dem montieren des Spritzschutzes mit Einfüllöffnung (11), gemäss Kapitel «SO VERWENDEN SIE IHRE KÜCHENMASCHINE», schützt dieser die Arbeitsflächen und die Küchenmaschine vor Spritzflecken. Zusätzlich kann die Einfüllöffnung genutzt werden um Zutaten in die Schüssel (2) zu geben.

STROMVERSORGUNG ANSCHLIESSEN

- Die Rührwerkzeuge (8, 9, 10) müssen immer zuerst in der Küchenmaschine montiert sein bevor Sie die Küchenmaschine an der Stromversorgung anschliessen.
- Bevor Sie die Küchenmaschine an der Stromversorgung anschliessen, vergewissern Sie sich, dass sich der Geschwindigkeitsregler (4) in der stop Position befindet und der EIN/AUS- Schalter (5) auf OFF steht.
- Der Rührarm (1) muss vor Inbetriebnahme der Küchenmaschine geschlossen und eingerastet sein. Die Küchenmaschine hat eine Sicherheitsfunktion welche sicherstellt,

dass die Küchenmaschine nicht gestartet werden kann solange der Rührarm offen ist.

MISCHVORGANG

WICHTIG: Nach 5 Minuten im Dauerbetrieb muss die Küchenmaschine ausgeschaltet werden und eine Pause von 10 Minuten eingelegt werden, um ein Überhitzen des Motors zu vermeiden. Zum Verarbeiten von festem Brot - oder Pizzateig verwenden Sie nicht mehr als 1Kg Mehl.

Die Verarbeitungszeit darf 5 Minuten nicht überschreiten.

- Tauchen Sie das Rührwerkzeug (8, 9, 10) mittelschliessen des Rührarms in die Masse ein und wählen Sie die gewünschte Geschwindigkeitsstufe am Geschwindigkeitsregler (4). Siehe Kapitel «GESCHWINDIGKEITSEINSTELLUNGEN».
- Um Spritzer zu vermeiden kann der mitgelieferte Spritzschutz (11) verwendet werden.
- Stellen Sie nach dem Beenden des Mischvorgangs den Geschwindigkeitsregler (4) in die stop Position und schalten Sie den EIN/AUS- Schalter (5) auf OFF, ziehen Sie dann den Netzstecker.

RÜHRWERKZEUGE ABNEHMEN

- Vergewissern Sie sich, dass sich der Geschwindigkeitsregler (4) in der stop Position befindet, der EIN/AUS- Schalter (5) auf OFF steht und der Netzstecker ausgesteckt ist.
- Es ist zwingend notwendig, dass das Rührwerkzeug nicht mehr rotiert. Nehmen Sie nun das Rührwerkzeug (8, 9, 10) mit einer Drehbewegung im Gegenurzeigersinn aus der Einsteckvorrichtung für Rührwerkzeug (3).

WARTUNG UND PFLEGE

- Schalten Sie vor der Reinigung den Geschwindigkeitsregler (4) in die stop Position, den EIN/AUS- Schalter (5) auf OFF und ziehen Sie den Netzstecker aus der Steckdose.
- Es dürfen keine Scheuermittel verwendet werden.

REINIGUNG DER RÜHRWERKZEUGE

- Überschüssige Masse an den Rührwerkzeugen (8, 9, 10) kann mit einem Gummi- oder Kunststoffschaber entfernt werden.
- Die Rührwerkzeuge (8, 9, 10), der Spritzschutz (11) sowie die Schüssel (2) können von Hand oder in der Geschirrspülmaschine gereinigt werden.

REINIGUNG DES GEHÄUSES

- Das gesamte Gehäuse der Küchenmaschine darf nur mit einem feuchten Tuch gereinigt werden.
- Tauchen Sie die Küchenmaschine, den Netzstecker und das Kabel nie in Wasser: Denken Sie daran, dass es sich um ein Elektrogerät handelt.

AUFBEWAHRUNG

- Entfernen Sie stets das Rührwerkzeug (8, 9, 10), wenn Sie die Küchenmaschine nicht benutzen.
- Die Küchenmaschine muss immer mit geschlossenem Rührarm (1) aufbewahrt werden.
- Trennen Sie die Küchenmaschine immer vom Stromnetz, wenn Sie sie nicht verwenden.

TECHNISCHE DATEN

Nennspannung EURO	220-240V~ 50/60Hz
Nennspannung USA	120V~ 60Hz
Nennleistung EURO	700 Watt
Nennleistung USA	700 Watt
Fassungsvermögen	4,7 Liter/ 160 oz
Kabellänge	ca. 100 cm/ 39 inch
Prüfzeichen	GS, CE, ETL, CETL

Umweltfreundliche Entsorgung



Alte Elektrogeräte dürfen nicht mehr zusammen mit dem Restmüll entsorgt werden, sondern müssen getrennt erfasst werden. Die Abgabe bei kommunalen Sammelstellen durch Privatpersonen ist kostenfrei. Die Besitzer von Altgeräten sind verpflichtet, die Geräte zu den Sammelstellen zu bringen oder bei einer entsprechenden Sammlung abzugeben. Mit diesem kleinen persönlichen Aufwand tragen Sie dazu bei, dass wertvolle Rohstoffe recycelt und Schadstoffe gezielt behandelt werden können.

SERVICE & GARANTIEBEDINGUNGEN

Alle BODUM® Produkte werden aus hochwertigen, langlebigen Materialien gefertigt. Müssen einzelne Teile trotzdem irgendwann ersetzt werden, wenden Sie sich bitte an Ihren BODUM® Händler, ein BODUM® Geschäft, die BODUM® Generalvertretung in Ihrem Land oder besuchen Sie:

www.bodum.com

Garantie. BODUM® bietet für die «BISTRO» Küchenmaschine ab dem Kaufdatum eine 2-jährige Garantie bei Materialfehlern oder Funktionsstörungen, die auf Konstruktions- oder Herstellungsmängel zurückzuführen sind. Bei Erfüllung sämtlicher Garantievoraussetzungen wird die Reparatur kostenlos durchgeführt. Rückvergütungen sind nicht möglich.

Garantiebedingungen. Der Garantieschein muss beim Verkauf des Gerätes vom Verkäufer vollständig ausgefüllt werden.

BODUM® gibt keine Garantie für Schäden, die auf eine zweckwidrige Verwendung, unsachgemäße Bedienung, auf normalen Verschleiss, mangelhafte oder unrichtige Pflege oder Wartungsarbeiten, falschen Betrieb, oder auf das Hantieren unbefugter Personen mit dem Gerät zurückzuführen sind.

Bienvenue chez BODUM®

Félicitations ! Vous venez de faire l'acquisition d'un robot culinaire BISTRO de la marque BODUM®. Lisez attentivement ces instructions avant d'utiliser l'appareil.

CONSIGNES DE SÉCURITÉ IMPORTANTES

- Veuillez lire toutes les instructions avant d'utiliser l'appareil pour la première fois. Le non-respect des instructions et des consignes de sécurité peut vous exposer à des dangers.
- Après avoir déballé l'appareil, vérifiez qu'il ne présente pas des signes de détérioration. En cas de doute, ne l'utilisez pas et prenez contact avec votre revendeur.
- Veuillez conserver les emballages (carton, sacs plastiques, etc.) hors de portée des enfants, car ils risqueraient de se blesser ou de s'étouffer.
- Ce robot culinaire est destiné pour une utilisation chez soi. Ne pas utiliser à l'extérieur.
- Ne placez pas l'appareil sur ou à proximité d'une cuisinière électrique ou à gaz en marche, ni dans un four chaud.
- Le fabricant décline toute responsabilité en cas de dommage ou de blessure faisant suite à une utilisation inappropriée ou abusive de l'appareil. N'utiliser l'appareil que pour les emplois prévus.
- Ne permettez pas à des enfants de jouer avec l'appareil.
- Il est impératif de redoubler de vigilance si l'appareil est utilisé par des enfants ou par des personnes qui ne sont pas habituées à son fonctionnement.
- Cet appareil n'est pas prévu pour une utilisation par des personnes (incluant les enfants) ayant des capacités physiques, sensorielles ou psychologiques réduites, ou un manque d'expérience ou de connaissances, à moins qu'ils n'aient reçu de la supervision ou des instructions concernant l'utilisation d'un appareil par une personne responsable pour leur sécurité.
- Ne touchez jamais l'appareil lorsque vous avez les mains humides ou mouillées. Si vous avez les mains mouillées, ne touchez pas le cordon d'alimentation et ne le branchez pas non plus.
- Ne pas utiliser d'accessoires non recommandés par le fabricant de l'appareil. L'utilisation d'accessoires non recommandés peut entraîner un incendie, une décharge électrique ou des blessures.
- Toujours tenir l'appareil éloigné de l'eau. Merci de toujours garder à l'esprit que votre robot culinaire est un appareil électrique.
- Ne le nettoyer qu'au moyen d'un chiffon humide.
- Mettre le contrôle de la vitesse (4) en position d'arrêt, mettre le bouton de marche ON/OFF (5) sur OFF (arrêt), et

- retirer le cordon de la prise électrique afin de désactiver entièrement l'appareil.
- Lorsque vous débranchez le robot culinaire, tenez la prise et non le cordon d'alimentation.
 - Veuillez vous assurer que le cordon d'alimentation ne pend pas à l'angle d'une table ou depuis le plan de travail, et qu'il n'est pas en contact avec des surfaces chaudes, notamment les plaques de cuisson.
 - Débrancher la prise de l'alimentation électrique lorsque le robot culinaire n'est pas en marche, ni lors de l'installation ou du retrait d'accessoires.
 - Ne jamais mettre d'appareils électriques en marche si le cordon d'alimentation ou la prise est endommagée, ni suite à des dysfonctionnements ou si l'appareil est tombé ou endommagé de quelle manière que ce soit. Dans ce cas, faire vérifier, réparer ou ajuster l'appareil par notre SAV le plus proche.
 - Ne jamais tenter de remplacer le cordon d'alimentation électrique, car cela nécessite des outils spéciaux. S'assurer que l'appareil est toujours réparé et le cordon d'alimentation électrique remplacé par un centre de SAV autorisé par le fabricant, afin de garantir une sécurité absolue.
 - N'immergez pas le cordon d'alimentation électrique, le robot culinaire ou la prise dans l'eau ou dans d'autres liquides, car cela risquerait de provoquer un incendie, des décharges électriques ou des blessures.
 - **ATTENTION!** Afin d'éviter que l'appareil ne contourne la fonction d'arrêt de sécurité, ne jamais l'alimenter avec de l'électricité provenant d'un commutateur externe tel qu'un minuteur, ni ne le connecter à un circuit électrique régulièrement activé et désactivé par la compagnie d'électricité.
 - Pendant son nettoyage, l'appareil ne doit pas être relié à l'alimentation électrique.
 - Pendant le fonctionnement, afin de réduire les risques de blessures sur les personnes et/ou de détérioration du robot culinaire, garder les mains, les cheveux, les vêtements, les spatules et autres ustensiles à distance des batteurs.
 - Afin de réduire les risques de blessures graves sur les personnes et de détérioration de l'appareil, tenir les vêtements, bijoux, doigts, cheveux et autres ustensiles à distance des parties rotatives.
 - Lors du mélange de liquides, afin d'éviter les éclaboussures, veuillez utiliser la protection anti-projections avec ouverture de remplissage (11), ou réduire la quantité.
 - Avant de nettoyer ou de ranger l'appareil, veuillez vous assurer que le contrôle de la vitesse (4) a bien été mis en position d'arrêt, que le bouton ON/OFF (5) est bien sur OFF et que la fiche a été débranchée de la prise électrique.
 - Ne jamais laisser fonctionner l'appareil sans surveillance.
 - La charge maximale est basée sur le crochet du robot qui tire la plus grande charge (électrique), et que d'autres branchements peuvent consommer nettement moins d'électricité.
 - Ne pas l'utiliser à l'extérieur.
 - Avant de laver le robot culinaire, en retirer les batteurs.

INSTALLATION

- Toujours placer le robot culinaire sur une surface stable et plane. Celle-ci ne doit pas être chaude, et ne doit pas être à proximité d'une source de chaleur. La surface doit être sèche. Maintenez l'appareil et le cordon d'alimentation hors de la portée des enfants.
- Assurez-vous que le voltage indiqué sur l'appareil correspond à celui de l'alimentation électrique de votre région. Ne brancher l'appareil que sur une prise adéquate, fournissant au moins 6A et un voltage de 220–240V~50/60Hz (EURO) ou 120V~60Hz (USA).
(Si vous utilisez un appareil à courant résiduel, veuillez consulter un électricien). Il faut que la prise soit facilement accessible en cas d'urgence lorsque l'appareil est en marche. Le fabricant décline toute responsabilité pour les accidents dus à un branchement électrique inadéquat de l'appareil.
- Si la prise n'est pas compatible avec la fiche de l'appareil, la faire remplacer par un électricien qualifié.

VEUILLEZ CONSERVER CE MODE D'EMPLOI

Des accessoires séparés BODUM sont disponibles pour ce robot culinaire sur notre site web ou dans nos magasins. Pour les consignes d'installation et d'utilisation détaillées, merci de consulter le mode d'emploi de cet accessoire.

ROBOT CULINAIRE LISTE DES PIÈCES

- 1 Bras robot culinaire
- 2 Récipient
- 3 Ouverture de remplissage pour le mixage
- 4 Contrôle de la vitesse
- 5 Bouton ON/OFF
- 6 Levier pour le bras robot culinaire
- 7 Base
- 8 Batteur (1 pièce)
- 9 Crochet du robot (1 pièce)
- 10 Fouet (1 pièce)
- 11 Protection anti-projections avec ouverture de remplissage

INFORMATIONS SPÉCIALES

CORDON D'ALIMENTATION

- Il est possible d'utiliser une rallonge à condition que toutes les précautions nécessaires soient prises.
- Lors de l'utilisation d'une rallonge, la puissance électrique de la rallonge doit être la même ou supérieure à celle de l'appareil. Si l'appareil est branché à la terre, la rallonge doit

être un câble à trois fils. La rallonge ne doit pas pendre sur un angle d'une table ni depuis un plan de travail, il convient de s'assurer que les enfants ne peuvent pas s'y suspendre, et qu'il n'y a aucun risque de trébucher sur le câble.

Pour les clients aux États-Unis et Canada seulement:
Instructions sur la mise à la terre

- Cet appareil doit être relié à la terre durant son utilisation afin de protéger l'opérateur de toute décharge électrique. L'appareil est équipé d'un cordon à 3 conducteurs ainsi que d'un branchement à 3 broches de type mise à la terre adapté à la fiche de type terre sécuritaire. Un adaptateur doit être utilisé en cas de branchement de fiches à 2 broches. La patte de mise à la terre qui sort de l'adaptateur doit être connectée à une terre permanente comme une prise de courant à contact de mise à la terre. La patte de mise à la terre doit être correctement connectée à la terre du boîtier de sortie en utilisant une vis en métal.

ROBOT CULINAIRE - AVANT UTILISATION

Nettoyez le robot culinaire avant de l'utiliser pour la première fois. Veuillez consulter le chapitre «MAINTENANCE ET ENTRETIEN»

UTILISATION DES ACCESSOIRES

Votre robot culinaire est fourni accompagné des trois accessoires suivants : batteur (8), crochet robot (9) et fouet (10).

BATTEUR (8)

Le batteur convient aux tâches de mixage normales comme pour les gâteaux, les biscuits, les glaces, les farces, les éclairs, la pâtisserie, les pâtes sucrées et les pommes de terre à la crème.

CROCHET ROBOT (9)

Le crochet robot convient particulièrement bien pour le mixage et le pétrissage des pâtes sucrées, les pâtes à levure et les pâtes à pizza.

FOUET (10)

Le fouet convient pour fouetter et mixer les œufs, la crème, la pâte fine, la pâte fine sans matières grasses, la meringue, le cheesecake, les mousses et les soufflés.

RÉGLAGES DE LA VITESSE

Le robot culinaire propose 7 réglages de vitesse. Chaque opération de mixage doit toujours commencer à la vitesse la plus basse, avant de l'augmenter progressivement au niveau recommandé, comme décrit ci-dessous.

POSITION STOP

Dans cette position, l'appareil est à l'arrêt. Pour nettoyer ou ranger l'appareil, toujours mettre le contrôle de la vitesse en position d'arrêt, mettre le bouton de marche ON/OFF (5) sur OFF (arrêt), et retirer le cordon de la prise électrique.

POSITION 1

La position 1 convient au mélange de la farine avec des liquides, et pour y ajouter des ingrédients secs. Cette vitesse ne convient pas pour pétrir des pâtes lourdes.

POSITION 2

La position 2 convient pour agiter rapidement et mélanger et pétrir la pâte à levure et les autres pâtes lourdes.

POSITION 3-4

Ces positions conviennent pour mélanger des pâtes moyennement lourdes.

POSITION 5

La position convient pour agiter ou battre.

POSITION 6

La position 6 convient pour fouetter la crème, les blancs d'œufs et les glaçages. C'est au plus tard à partir de cette position qu'il faut utiliser la protection anti-projections (11). Fixer la protection anti-projections avec l'ouverture pour remplissage comme décrit dans le chapitre : «COMMENT UTILISER VOTRE ROBOT CULINAIRE».

POSITION «MAX»

La position «Max» convient pour fouetter ou battre de petites quantités de crème ou de blanc d'œuf.

«COMMENT UTILISER VOTRE ROBOT CULINAIRE»

FIGURE A

- Avant de fixer les accessoires de mixage (8, 9, 10), la protection anti-projections (11) ou le récipient, veuillez vous assurer que le contrôle de la vitesse (4) a bien été mis en position d'arrêt, que le bouton ON/OFF (5) est bien sur OFF et que la fiche a été débranchée de la prise électrique.
- Presser le levier de détachement du bras de mixage vers le bas (6) tout en soulevant le bras de mixage jusqu'à ce qu'il y ait un «clic» indiquant qu'il est en position ouverte.

FIGURE B

- Presser la protection anti-projections avec l'ouverture du filtre (11) sur le bras de mixage (1) autant que possible, et le fixer en le faisant doucement tourner dans le sens des aiguilles d'une montre. Le système de baïonnette permet de fixer la protection anti-projections (11) fermement sur le robot culinaire.

FIGURE C

- Insérer l'accessoire de mixage (8, 9, 10) dans l'ouverture (3) aussi loin que possible, puis le faire tourner dans le sens des aiguilles d'une montre.

FIGURE D

- Placer le récipient (2) sur le socle (7), le presser vers le bas et le positionner en le faisant tourner dans le sens des aiguilles d'une montre.
- Presser le levier de détachement pour le bras de mixage (6) et abaisser le bras de mixage (11) tout doucement.
- Le robot culinaire peut être utilisé une fois que la fiche est branchée dans la prise électrique et que le bouton ON/OFF (5) a été mis en position ON.

RETIRER LES ACCESSOIRES

- Avant de retirer les accessoires de mixage (8, 9, 10), la protection anti-projections (11) ou le récipient, veuillez vous assurer que le contrôle de la vitesse (4) a bien été mis en position d'arrêt, que le bouton ON/OFF (5) est bien sur OFF et que la fiche a été débranchée de la prise électrique.
- Pour retirer le récipient (2), vous devez d'abord presser le levier de détachement du bras de mixage (6), soulever le bras de mixage (1) et détacher le récipient du robot culinaire en le faisant tourner dans le sens inverse des aiguilles d'une montre.
- Pour retirer un accessoire de mixage (8, 9, 10), vous devez d'abord presser le levier de détachement pour le bras de mixage (6), soulever le bras de mixage (1) et détacher l'accessoire de mixage (8, 9, 10) du robot culinaire en le faisant tourner dans le sens inverse des aiguilles d'une montre.
- Pour retirer la protection anti-projections avec ouverture de remplissage (2), vous devez d'abord presser le levier de détachement du bras de mixage (6), soulever le bras de mixage (1) et détacher la protection anti-projections du récipient (11) en la faisant tourner dans le sens inverse des aiguilles d'une montre.

COMMENT UTILISER LA PROTECTION ANTI-PROJECTIONS AVEC L'OUVERTURE DE REMPLISSAGE

- Après avoir fixé la protection anti-projection avec ouverture de remplissage (11) comme décrit dans la rubrique «COMMENT UTILISER VOTRE ROBOT CULINAIRE», celle-ci protégera vos plans de travail et le robot culinaire des éclaboussures. Pour ajouter des ingrédients dans le récipient (2), vous pouvez également utiliser l'ouverture de remplissage.

MISE SOUS TENSION

- Les accessoires de mixage (8, 9, 10) doivent toujours être fixés avant de brancher le robot culinaire sur l'alimentation électrique.
- Avant de brancher le robot culinaire sur l'alimentation électrique, veuillez vous assurer que le contrôle de la vitesse (4) est mis en position STOP et que le bouton ON/OFF (5) est bien en position d'arrêt.
- Avant d'utiliser le robot culinaire, il faut que le bras de

mixage (1) ait été fermé et placé en position. Le robot culinaire possède une fonction de sécurité l'empêchant de démarrer alors que le bras de mixage est soulevé.

MIXAGE

- **IMPORTANT.** Le robot culinaire doit être éteint après 5 minutes de fonctionnement continu, pour une période de 10 minutes, afin d'empêcher que le moteur ne surchauffe. Pour travailler la pâte à pain dur ou la pâte à pizza, ne pas utiliser plus de 1 kg de farine. L'opération ne doit pas durer plus de 5 minutes.
- Abaisser l'accessoire de mixage (8,9,10) dans les ingrédients se trouvant dans le récipient (2) et positionner le bras de mixage (6) jusqu'à ce qu'il y ait un clic. Puis utiliser le contrôle de la vitesse (4) pour sélectionner la vitesse souhaitée. Veuillez consulter le chapitre «**RÉGLAGE DE LA VITESSE**».
- Utiliser la protection anti-projections (11) afin d'éviter les éclaboussures.
- Une fois que le mixage est terminé, régler le contrôle de la vitesse (4) sur STOP, tourner le bouton ON/OFF sur OFF, et débrancher l'appareil de la prise électrique.

RETIRER LES ACCESSOIRES DE MIXAGE

- Veuillez vous assurer que le contrôle de la vitesse (4) a bien été mis en position d'arrêt, que le bouton ON/OFF (5) est bien sur OFF et que la fiche a été débranchée de la prise électrique.
- Il est primordial d'attendre que l'accessoire de mixage ait cessé de tourner. Retirer l'accessoire de mixage (8,9,10) de l'ouverture pour remplissage (3) en le faisant tourner dans le sens contraire des aiguilles d'une montre.

ENTRETIEN ET SOIN

- Avant le nettoyage, régler le contrôle de la vitesse (4) sur STOP, tourner le bouton ON/OFF sur OFF, et débrancher l'appareil de la prise électrique.
- Ne jamais utiliser de poudre à récurer.
- Tout autre entretien doit être effectué par un représentant de service autorisé.

NETTOYAGE DES ACCESSOIRES DE MIXAGE

- Les ingrédients restants peuvent être retirés des accessoires (8,9,10) au moyen d'un racloir ou d'un battoir en plastique.
- Les accessoires de mixage (8, 9, 10), la protection anti-pro-

jections (11) et le récipient (2) peuvent être lavés à la main ou au lave-vaisselle.

NETTOYER LE BOÎTIER

- Le boîtier du robot culinaire ne doit être nettoyé qu'au moyen d'un chiffon humide.
- Ne jamais immerger le robot culinaire, la prise ou le câble d'alimentation dans de l'eau. Merci de toujours garder à l'esprit que votre robot culinaire est un appareil électrique.

ENTREPOSAGE

- Lorsque le robot culinaire n'est pas utilisé, toujours retirer les accessoires de mixage (8,9,10).
- Le bras de mixage (11) doit toujours être abaissé lorsque le robot culinaire est rangé.
- Toujours débrancher le robot culinaire lorsqu'il n'est pas utilisé.

SPÉCIFICATIONS TECHNIQUES

Tension nominale EURO	220–240V~ 50/60Hz
Tension nominale USA	120V~ 60Hz
Puissance nominale EURO	700Watt
Puissance nominale USA	700 W
Capacité	4.7 litres / 160 oz
Longueur du cordon	env. 100 cm/39 inches
Certifications	GS, CE, ETL, CETL

CONDITIONS D'ENTRETIEN ET DE GARANTIE

Tous les produits BODUM® sont fabriqués avec des matériaux durables et de qualité. Toutefois, s'il s'avère nécessaire de remplacer des pièces, merci de contacter votre revendeur BODUM®, un magasin BODUM®, le représentant BODUM® de votre pays, ou de consulter notre site web: www.bodum.com.

Garantie : Pour le robot culinaire «BISTRO», BODUM® fournit une garantie de deux ans, à compter de la date d'achat, sur tous les défauts de matériel et les dysfonctionnements dus à des défauts de fabrication. Les réparations sont effectuées gratuitement si toutes les conditions requises par la garantie sont réunies. Il n'est pas possible de rembourser le prix d'achat.

Conditions de garantie: Le certificat de garantie doit être dûment complété par le vendeur au moment de l'achat. BODUM® décline toute responsabilité pour les dommages résultant d'une utilisation inappropriée, d'une manipulation inadéquate, l'usure normale, un entretien inadéquat ou incorrect, une utilisation inadaptée ou l'utilisation de l'appareil par des personnes non autorisées.

Velkommen til BODUM®

Tillykke! Du er nu den stolte ejer af en BISTRO-køkkenmaskine fra BODUM®. Læs disse anvisninger omhyggeligt, før du bruger apparatet.

VIGTIGE FORHOLDSREGLER

- Læs hele brugsanvisningen omhyggeligt, før du bruger apparatet for første gang. Manglende overholdelse af anvisningerne og sikkerhedsoplysningerne kan medføre fare.
- Kontrollér apparatet for tegn på skader efter udpakning. Tag ikke apparatet i brug, og kontakt forhandleren, hvis du er i tvivl om dets tilstand.
- Opbevar emballagen (pap, plastposer osv.) utilgængeligt for børn (risiko for kvælning eller skade).
- Denne køkkenmaskine er kun beregnet til brug i hjemmet. Brug den ikke udendørs.
- Placer ikke apparatet på eller i umiddelbar nærhed af et tændt gas- eller elkomfur eller i en forvarmet ovn.
- Producenten påtager sig intet ansvar for materiel- eller personskade forårsaget af forkert eller uhensigtsmæssig brug. Brug kun apparatet til det tilsigtede formål.
- Tillad ikke børn at lege med apparatet.
- Omhyggeligt tilsyn er meget vigtigt, hvis apparatet bruges af børn eller personer, der ikke er vant til at bruge det.
- Dette apparat bør ikke bruges af personer (inkl. børn) med nedsatte fysiske, sensoriske eller psykiske evner eller manglende erfaring og viden, medmindre de er under tilsyn eller har modtaget instruktion i brugen af apparatet af en person med ansvar for deres sikkerhed.
- Berør ikke apparatet med fugtige eller våde hænder. Berør heller ikke ledningen eller stikket med våde hænder.
- Brug ikke tilbehør, der ikke er anbefalet af producenten af apparatet. Dette kan forårsage brand, elektrisk stød eller skade.
- Hold altid apparatet væk fra vandkilder. Husk på, at køkkenmaskinen er et elektrisk apparat.
- Rengør den altid kun med en fugtig klud.
- Indstil hastighedskontrollen (4) til stop, sæt TÆND/SLUK-knappen (5) på OFF, og tag stikket ud af stikkontakten for at slå apparatet helt fra.
- Hold altid på stikket og ikke ledningen, når du trækker stikket ud.
- Sørg for, at ledningen ikke hænger ned over bordkanten eller kommer i kontakt med varme overflader, herunder komfuret.

- Tag stikket til køkkenmaskinen ud af stikkontakten, når du ikke bruger den, monterer eller fjerner tilbehør eller skal rengøre den.
- Brug aldrig et elektrisk apparat, hvis det ikke fungerer, har været tabt på gulvet eller på nogen måde er blevet beskadiget, eller hvis ledningen eller stikket er beskadiget. I ovenstående tilfælde skal apparatet kontrolleres, repareres eller justeres i det nærmeste servicecenter.
- Forsøg aldrig at skifte ledning på apparatet, da dette kræver specialværktøj. Reparationer og udskiftning af ledningen på apparatet må af sikkerhedshensyn kun udføres i servicecentre, der er autoriseret af producenten.
- Nedsenk aldrig ledningen, køkkenmaskinen eller stikket i vand eller anden væske, da det kan forårsage brand, elektrisk stød eller skade.
- **FORSIGTIG!** For at undgå risikoen for at apparatet tilsidesætter slukningsfunktionen, må det aldrig strømforsynes via en ekstern omskifter, såsom en tidskontrol, eller tilsluttes et elektrisk kredsløb, som regelmæssigt aktiveres og deaktiveres af elselskabet.
- Apparatet må ikke være tilsluttet strøm under rengøring.
- Hold hænder, hår, tøj samt spatler og andre redskaber væk fra pisikerisene under brug for at mindske risikoen for personskade og/eller skade på køkkenmaskinen.
- Hold tøj, smykker, hår, fingre og andre redskaber væk fra roterende dele for at undgå alvorlig personskade og skader på apparatet.
- Brug den medfølgende stænkskærm med påfyldningsåbning (11) ved blanding af væsker, eller reducér mængden for at undgå stænk.
- Sørg for, at hastighedskontrollen (4) er indstillet til stop, TÆND/SLUK-knappen (5) står på OFF, og at stikket er taget ud af stikkontakten, inden du rengør eller sætter apparatet væk.
- Lad aldrig apparatet køre uden opsyn.
- Det maksimale strømforbrug er baseret på dejkrogen, som bruger mest strøm, og på, at det øvrige anbefalede tilbehør kan bruge betydeligt mindre strøm.
- Må ikke anvendes udendørs.
- Fjern pisikerisene fra køkkenmaskinen inden rengøring.

INSTALLATION

- Anbring altid køkkenmaskinen på en stabil, jævn overflade. Denne må ikke være varm eller være tæt på en varmekilde. Overfladen skal være tør. Hold apparatet og ledningen utilgængelig for børn.

- Kontrollér, at spændingen angivet på apparatets mærkeplade svarer til netspændingen i din region. Tilslut kun apparatet til en egnet stikkontakt med en udgangseffekt på mindst 6 A og en spænding på 220-240 V~ 50/60 Hz (EURO) eller 120 V~ 60 Hz (USA). (Kontakt en elektriker, hvis du bruger en reststrømsenhed). Stikkontakten skal være lettilgængelig under brug af apparatet, hvis der skulle opstå en nødsituation. Producenten påtager sig intet ansvar for ulykker forårsaget af dårlig eller utilstrækkelig jording af apparatet.
- Få en autoriseret elektriker til at udskifte stikkontakten, hvis den ikke passer til apparatets stik.

GEM DENNE BRUGSANVISNING

Du kan købe yderligere tilbehør fra BODUM til denne køkkenmaskine på vores websted eller i vores butikker. Der følger en detaljeret installations- og brugsvejledning med tilbehøret.

LISTE OVER KØKKENMASKINENS DELE

- 1 Rørearm
- 2 Skål
- 3 Monteringsåbning til tilbehør
- 4 Hastighedskontrol
- 5 TÆND/SLUK-knap
- 6 Udløserknap til rørearm
- 7 Fod
- 8 Røreris (1 styk)
- 9 Dejkrog (1 styk)
- 10 Piskeris (1 styk)
- 11 Stænkskærm med påfyldningsåbning

SÆRLIGE OPLYSNINGER

LEDNING

- Der kan anvendes forlængerledning, såfremt alle fornødne forholdsregler træffes.
- Ved brug af forlængerledning skal forlængerledningens mærkeeffekt være lig med eller højere end apparatets. Hvis apparatet er jordforbundet, skal forlængerledningen være en tre-kernet jordet ledning. Forlængerledningen må ikke hænge ud over bordkanten, børn må ikke kunne trække i den, og man må ikke kunne snuble over den.

INDEN KØKKENMASKINEN TAGES I BRUG

Rengør køkkenmaskinen, før du bruger den for første gang. Læs kapitlet «PLEJE OG VEDLIGEHOLDELSE».

BRUG AF TILBEHØR

Køkkenmaskinen leveres med følgende tilbehør: røreris (8), dejkrog (9) og piskeris (10).

RØRERIS (8)

Røreriset er egnet til bl.a. kager, kiks, glasur, fyld, éclair, wienerbrød, sød dej og kartoffelmos.

DEJKROG (9)

Dejkrogen er særligt egnet til blanding og æltning af brøddej, gærdej og pizzadej.

PISKERIS (10)

Piskeriset er egnet til piskning og blanding af æg, fløde, tynd dej, fedtfri formkage, marengs, cheesecake, mousse og soufflé.

HASTIGHEDSINDSTILLINGER

Køkkenmaskinen har 7 hastighedsindstillinger. Bemærk, at du ved blanding altid bør starte ved den laveste hastighed, før hastigheden øges til det anbefalede niveau som beskrevet nedenfor.

POSITION STOP

I denne position er apparatet slukket. Indstil altid hastigheden til positionen stop, sæt TÆND/SLUK-knappen (5) på OFF, og tag stikket ud af stikkontakten, inden du rengør eller sætter apparatet væk.

POSITION 1

Position 1 er egnet til blanding af mel og væske og til tilsætning af tørre ingredienser. Denne hastighed må ikke anvendes til æltning af tunge dejtyper.

POSITION 2

Position 2 er egnet til hurtig omrøring samt blanding og æltning af gærdej og andre tunge dejtyper.

POSITION 3-4

Disse positioner er egnede til blanding af mellemtunge dejtyper.

POSITION 5

Denne position er egnet til omrøring eller piskning.

POSITION 6

Position 6 er egnet til piskning af fløde, æggehvinder og glasur. Du bør anvende stænkskærmen med påfyldningsåbning (11) senest ved denne position. Monter stænkskærmen med påfyldningsåbning som beskrevet i kapitlet:

«SÅDAN BRUGER DU KØKKENMASKINEN».

POSITION «MAX»

Positionen «Max» er egnet til piskning af små mængder fløde eller æggehvinder.

SÅDAN BRUGER DU KØKKENMASKINEN

FIGUR A

- Inden montering af tilbehøret (8, 9, 10), stænkskærmen med påfyldningsåbning (11) eller skålen (2) skal du sikre, at hastighedskontrollen (4) er indstillet til stop, TÆND/SLUK-knappen (5) står på OFF, og at stikket er taget ud af stikkontakten.
- Tryk og hold udløserknappen til rørearmen (6) nede, og hæv rørearmen, indtil den klikker på plads i åben position.

FIGUR B

- Tryk stænkskærmen med påfyldningsåbning (11) helt op til rørearmen (1), og lås den ved forsigtigt at dreje den med uret. Bajonetlåsen låser stænkskærmen med påfyldningsåbning (11) fast til køkkenmaskinen.

FIGUR C

- Sæt tilbehøret (8, 9, 10) helt ind i åbningen (3), og drej det derefter med uret.

FIGUR D

- Placér skålen (2) på foden (7), tryk ned, og lås den fast ved at dreje den med uret.
- Tryk på udløserknappen til rørearmen (6), og sænk langsomt rørearmen (11).
- Køkkenmaskinen er klar til brug, når stikket er sat i stikkontakten, og TÆND/SLUK-knappen (5) står på ON.

SÅDAN FJERNER DU TILBEHØR

- Inden fjernelse af tilbehør (8, 9, 10), stænkskærmen med påfyldningsåbning (11) eller skålen (2) skal du sikre, at hastighedskontrollen (4) er indstillet til stop, TÆND/SLUK-knappen (5) står på OFF, og at stikket er taget ud af stikkontakten.
- For at fjerne skålen (2) skal du trykke på udløserknappen til rørearmen (6), hæve rørearmen (1) og løsne skålen (2) fra køkkenmaskinen ved at dreje den mod uret.
- For at fjerne tilbehør (8, 9, 10) skal du trykke på udløserknappen til rørearmen (6), hæve rørearmen (1) og løsne tilbehøret (8, 9, 10) fra køkkenmaskinen ved at dreje det mod uret.
- For at fjerne stænkskærmen med påfyldningsåbning (11) skal du trykke på udløserknappen til rørearmen (6), hæve rørearmen (1) og løsne stænkskærmen med påfyldningsåbning (11) fra køkkenmaskinen ved at dreje den mod uret.

SÅDAN BRUGER DU STÆNKSKÆRMEN MED PÅFYLDNINGSÅBNING

- Når du har monteret stænkskærmen med påfyldningsåbning (11) som beskrevet i «SÅDAN BRUGER DU KØKKENMASKINEN», undgår du stænk på køkkenbordet og køkkenmaskinen. Du kan også fylde ingredienser i skålen gennem påfyldningsåbningen (2).

TILSLUTNING TIL STRØM

- Tilbehør (8, 9, 10) skal altid monteres, inden køkkenmaskinen sluttes til stikkontakten.
- Kontrollér, at hastighedskontrollen (4) er indstillet til stop, og at TÆND/SLUK-knappen (5) står på OFF, inden du slutter køkkenmaskinen til stikkontakten.
- Rørearmen (1) skal lukkes og klikkes på plads, inden køkkenmaskinen startes. Køkkenmaskinen har en sikkerhedsfunktion, som sikrer, at maskinen ikke kan starte, når rørearmen er oppe.

BLANDING

- VIGTIGT! Når køkkenmaskinen har kørt i 5 sammenhængende minutter, skal du slukke den og lade den stå i 10 minutter, så motoren ikke overophedes. Brug højst 1 kg mel ved forarbejdning af stiv brøddej eller pizzadej. Forarbejdningen bør vare højst 5 minutter.

- Sænk tilbehøret (8, 9, 10) ned i ingredienserne i skålen (2), og klik rørearmen (6) på plads. Vælg derefter den ønskede hastighed ved hjælp af hastighedskontrollen (4). Læs kapitlet «HASTIGHEDSINDSTILLINGER».
- Brug stænkskærmen (11) til at undgå stænk.
- Når du er færdig med at blande ingredienserne, skal du indstille hastighedskontrollen (4) til stop, sætte TÆND/SLUK-knappen på OFF og tage stikket ud af stikkontakten.

FJERNELSE AF TILBEHØR

- Sørg for, at hastighedskontrollen (4) er indstillet til stop, TÆND/SLUK-knappen (5) står på OFF, og at stikket er taget ud af stikkontakten.
- Det er meget vigtigt, at tilbehøret ikke bevæger sig. Fjern tilbehøret (8, 9, 10) fra monteringsåbningen (3) ved at dreje det mod uret.

PLEJE OG VEDLIGEHOLDELSE

- Inden du rengør maskinen, skal du indstille hastighedskontrollen (4) til stop, sætte TÆND/SLUK-knappen (5) på OFF og tage stikket ud af stikkontakten.
- Brug aldrig skurepulver.
- Enhver anden reparation og vedligeholdelse skal udføres af en autoriseret servicerepræsentant.

RENGØRING AF TILBEHØRET

- Overskydende ingredienser kan fjernes fra tilbehøret (8, 9, 10) med en gummi- eller plastspatel.
- Tilbehør (8, 9, 10), stænkskærm (11) og skål (2) kan vaskes i hånden eller i opvaskemaskinen.

RENGØRING AF KABINETTET

- Køkkenmaskinens kabinet skal altid rengøres med en fugtig klud.
- Nedsænk aldrig køkkenmaskinen, stikket eller ledningen i vand. Husk på, at det er et elektrisk apparat.

OPBEVARING

- Fjern altid tilbehøret (8, 9, 10), når køkkenmaskinen ikke er i brug.
- Rørearmen (11) skal altid være nede, når køkkenmaskinen sættes væk.
- Tag altid stikket til køkkenmaskinen ud, når den ikke er i brug.

TEKNISKE SPECIFIKATIONER

Mærkespænding EURO	220–240 V~ 50/60 Hz
Mærkespænding USA	120 V~ 60 Hz
Mærkeeffekt EURO	700 W
Mærkeeffekt USA	700 W
Kapacitet	4,7 liter/160 oz
Ledningslængde	ca. 100 cm/39 tommer
Certifikater	GS, CE, ETL, CETL

SERVICE OG GARANTIBETINGELSER

Alle BODUM®-produkter er fremstillet af holdbare materialer af høj kvalitet. Skulle det alligevel blive nødvendigt at udskifte dele, skal du kontakte din BODUM®-forhandler, en BODUM®-butik, BODUM®-importøren i dit land eller besøge www.bodum.com.

Garanti: BODUM® yder 2 års garanti fra købsdatoen for «BISTRO»-køkkenmaskinen på alle materiale- eller funktionsfejl som følge af fejl i design eller fremstilling. Reparationer udføres gratis, såfremt alle garantibetingelser er opfyldt. Det er ikke muligt at få refunderet købsprisen.

Garantibetingelser: Garantibeviset skal udfyldes af sælger på købstidspunktet. BODUM®-garantien dækker ikke, hvis en skade skyldes forkert brug eller håndtering, normalt slid og ælde, utilstrækkelig eller forkert pleje eller vedligeholdelse eller forkert betjening eller brug af apparatet af uautoriserede personer.

Bienvenido a BODUM®

¡Enhorabuena! Acaba de adquirir una batidora BISTRO de BODUM®. Lea estas instrucciones detenidamente antes de utilizar el aparato.

MEDIDAS DE SEGURIDAD IMPORTANTES

- Lea todas las instrucciones antes de utilizar el aparato por primera vez. Si no lo hace, podría poner en peligro su seguridad.
- Desembale el aparato y compruebe que no presenta daños. Si no está seguro, no lo use y póngase en contacto con su proveedor.
- Mantenga los embalajes (cartón, bolsas de plástico, etc.) fuera del alcance de los niños, ya que podrían provocar asfixia o lesiones.
- Esta batería está pensada únicamente para uso doméstico. No la use en exteriores.
- No coloque el aparato cerca ni encima de hornillos eléctricos o de gas encendidos ni de hornos precalentados.
- El fabricante no asumirá responsabilidad alguna por daños o perjuicios causados por un uso incorrecto o inadecuado. Use el aparato únicamente con el fin para el que fue diseñado.
- No permita que los niños jueguen con el aparato.
- Cuando el aparato vaya a ser utilizado por niños o personas no familiarizadas con el mismo, será necesaria la supervisión de un usuario experimentado.
- El aparato no ha sido diseñado para que lo utilicen personas (incluidos niños) con movilidad o capacidades sensoriales o mentales reducidas, inexpertas o no familiarizadas con él, salvo si una persona responsable de su seguridad los supervisa o les proporciona instrucciones.
- Nunca toque el aparato con las manos húmedas o mojadas. No toque el cable o el enchufe con las manos húmedas o mojadas.
- No utilice ningún accesorio no recomendado por el fabricante del aparato, ya que de lo contrario podría provocar un incendio, una descarga eléctrica o lesiones personales.
- Mantenga el aparato alejado de fuentes de agua en todo momento. Recuerde que su batidora es un dispositivo eléctrico.
- Límpiela únicamente con un paño húmedo.
- Ponga el control de velocidad (4) a la posición de parada, ponga el interruptor ON/OFF (5) en OFF y desenchufe el aparato para desactivarlo completamente.

- Para desenchufar la batidora, tire del enchufe y no del cable.
- Asegúrese de que el cable no cuelgue por el borde de la mesa o la encimera, y de que no entre en contacto con superficies calientes, incluidos los hornillos.
- Desenchufe la batidora cuando no la esté utilizando, cuando le coloque o retire accesorios, y cuando quiera limpiarla.
- No ponga nunca en marcha aparatos eléctricos si el cable de alimentación o el enchufe están deteriorados, si se ha producido un funcionamiento incorrecto o si han sufrido algún daño. En cualquiera de los casos anteriores, lleve su batidora al servicio técnico más cercano para su examen, reparación o ajuste.
- No intente en ningún caso cambiar el cable de alimentación del aparato, puesto que esta operación requiere herramientas especiales. Encargue la reparación del aparato o la sustitución del cable de alimentación a un centro autorizado por el fabricante para asegurarse de que reciba el trato adecuado.
- No sumerja el cable, la batidora o el enchufe en agua u otros líquidos, ya que podría provocar un incendio, una descarga eléctrica o lesiones.
- **¡PRECAUCIÓN!** Para evitar el riesgo de inutilizar el sistema de parada de seguridad del aparato, este no debe hacerse funcionar mediante dispositivos de conmutación externos, tales como temporizadores, ni conectarse a circuitos eléctricos que la empresa de suministro eléctrico conecte o desconecte con frecuencia.
- El aparato no debe estar enchufado mientras lo limpie.
- Mantenga manos, cabellos, prendas, espátulas y otros utensilios alejados de los brazos batidores cuando el aparato esté en funcionamiento para reducir el riesgo de daños a personas y a la batidora.
- Mantenga sus prendas, abalorios, dedos, cabellos y utensilios alejados de los componentes rotatorios para evitar lesiones personales graves o daños en el aparato.
- Para mezclar líquidos, use el protector antisalpicaduras con orificio de llenado (11) incluido, o reduzca la cantidad para evitar posibles salpicaduras.
- Asegúrese de que el control de velocidad (4) esté en posición de parada, de que el interruptor ON/OFF (5) esté en OFF y de que el aparato esté desenchufado antes de limpiarlo o guardarlo.
- No deje que el dispositivo funcione sin supervisión.
- La potencia máxima se basa en la potencia que requiere el gancho de masa, que es el accesorio que mayor potencia (batería o corriente eléctrica) necesita. El resto de accesorios recomendados pueden consumir una potencia significativamente inferior.

- No lo utilice en exteriores.
- Retire los brazos batidores de la batidora antes de limpiarlos.

INSTALACIÓN

- Coloque siempre la batidora sobre una superficie horizontal y estable. Dicha superficie no debe estar caliente ni encontrarse cerca de una fuente de calor. Además, asegúrese de que esté completamente seca. Mantenga el aparato y el cable fuera del alcance de los niños.
- Compruebe que el voltaje indicada en la placa de características del aparato se corresponde con la tensión de la red de su región. Conecte el aparato únicamente a un enchufe con una corriente de salida de al menos 6A y un voltaje de 220–240V~ 50/60Hz (EUROPA) o 120V~ 60Hz (ESTADOS UNIDOS).
(Si utiliza un dispositivo de corriente residual, consulte a un electricista.) En caso de emergencia, debe ser fácil acceder al enchufe mientras el aparato está funcionando. El fabricante no asume responsabilidad alguna por accidentes provocados por una conexión a tierra defectuosa o inadecuada del aparato.
- Pida a un electricista cualificado que cambie la toma de corriente si no es adecuada para el enchufe del aparato.

CONSERVE ESTAS INSTRUCCIONES

Encontrará otros accesorios BODUM para esta batidora en nuestro sitio web o en nuestras tiendas. Para obtener instrucciones de instalación y funcionamiento detalladas, consulte el manual del accesorio.

LISTA DE COMPONENTES DE LA BATIDORA

- 1 Brazo mezclador
- 2 Bol
- 3 Orificio de inserción de los mezcladores
- 4 Control de velocidad
- 5 Interruptor de encendido/apagado
- 6 Palanca de desbloqueo del brazo mezclador
- 7 Base
- 8 Brazo batidor (1 unidad)
- 9 Gancho de masa (1 unidad)
- 10 Batidor (1 unidad)
- 11 Protector antisalpicaduras con orificio de llenado

INFORMACIÓN ESPECIAL

CABLE DE ALIMENTACIÓN

- Se puede utilizar un alargador, siempre y cuando se tomen todas las precauciones necesarias.
- Si utiliza un alargador, el índice de potencia del mismo debe ser igual o superior al del aparato. Si el aparato está conectado a tierra, el cable del alargador debe ser trifilar y disponer de derivación a tierra. El cable de extensión no debe colgar del borde de una mesa o la encimera, ya que los niños no deben poder tirar de él y deben prevenirse tropezones.

ANTES DE UTILIZAR LA BATIDORA

Limpie la batidora antes de utilizarla por primera vez. Consulte la sección «MANTENIMIENTO Y CUIDADOS».

CÓMO USAR LOS ACCESORIOS

La batidora viene con estos tres accesorios mezcladores: brazo batidor (8), gancho de masa (9) y batidor (10).

BRAZO BATIDOR (8)

El brazo batidor es adecuado para mezclas normales como tartas, galletas, glaseados, rellenos, pepitos, bollería, masas dulces y puré de patatas.

GANCHO DE MASA (9)

El gancho de masa es especialmente adecuado para mezclar y amasar masa de pan, masas con levadura y masa de pizza.

BATIDOR (10)

El batidor es adecuado para batir y mezclar huevos, nata, masas ligeras, bizcocho sin grasas, merengue, pastel de queso, mousses y soufflés.

VELOCIDADES

La batidora tiene 7 velocidades. Tenga en cuenta que todas las mezclas deberían iniciarse a la velocidad más baja antes de incrementarla hasta el nivel recomendado, tal y como se describe a continuación.

PARADA

En esta posición, el aparato está apagado. Ponga siempre el control de velocidad a la posición de parada, ponga el interruptor ON/OFF (5) en OFF y desenchufe el aparato para limpiarlo o guardarlo.

POSICIÓN 1

La posición 1 es adecuada para mezclar harina con líquido y para añadir ingredientes secos. Esta velocidad no debe utilizarse para amasar masas pesadas.

POSICIÓN 2

La posición 2 es adecuada para mezclas rápidas y para mezclar y amasar masa con levadura y otras masas pesadas.

POSICIÓN 3-4

Estas posiciones son adecuadas para mezclar masas semipesadas.

POSICIÓN 5

Esta posición es adecuada para remover o batir.

POSICIÓN 6

La posición 6 es adecuada para montar nata, claras de huevo y glaseados. En esta posición, debería usar el protector antisalpicaduras con orificio de llenado (11). Fije el protector tal y como se describe en la sección «CÓMO UTILIZAR SU BATIDORA».

POSICIÓN «MAX»

La posición «Max» es adecuada para montar o batir pequeñas cantidades de nata o clara de huevo.

CÓMO UTILIZAR SU BATIDORA

FIGURA A

- Antes de colocar los accesorios mezcladores (8, 9, 10), el protector antisalpicaduras con orificio de llenado (11) o el bol (2), asegúrese de que el control de velocidad (4) esté en la posición de parada, de que el interruptor ON/OFF (5) esté desactivado y de que el aparato esté desenchufado.
- Apriete la palanca de desbloqueo del brazo mezclador (6) al tiempo que eleva el brazo mezclador hasta que se fije en la posición abierta con un clic.

FIGURA B

- Apriete el protector antisalpicaduras con orificio de llenado (11) contra el brazo mezclador (1) hasta el tope y fíjelo en su sitio girándolo suavemente en la dirección de las agujas del reloj. Este cierre de bayoneta fija firmemente el protector antisalpicaduras con orificio de llenado (11) a la batidora.

FIGURA C

- Introduzca el accesorio mezclador (8, 9, 10) en el orificio (3) hasta el tope y gírelo en la dirección de las agujas del reloj.

FIGURA D

- Coloque el bol (2) en la base (7), apriételo y fíjelo en su sitio haciéndolo girar en la dirección de las agujas del reloj.
- Pulse la palanca de desbloqueo del brazo mezclador (6) y bájelo (11) poco a poco.
- La batidora está lista para ser utilizada en cuanto la enchufe y el interruptor ON/OFF (5) esté activado.

RETIRAR LOS ACCESORIOS

- Antes de retirar los accesorios mezcladores (8, 9, 10), el protector antisalpicaduras con orificio de llenado (11) o el bol (2), asegúrese de que el control de velocidad (4) esté en la posición de parada, de que el interruptor ON/OFF (5) esté desactivado y de que el aparato esté desenchufado.
- Para retirar el bol (2), primero debe apretar la palanca de desbloqueo del brazo mezclador (6), y a continuación levantarlo (1) y retirar el bol (2) de la batidora girándolo en la dirección contraria a las agujas del reloj.
- Para retirar un accesorio mezclador (8, 9, 10), primero debe apretar la palanca de desbloqueo del brazo mezclador (6), y a continuación levantarlo (1) y retirar el accesorio (8, 9, 10) de la batidora girándolo en la dirección contraria a las agujas del reloj.
- Para retirar el protector antisalpicaduras con orificio de llenado (11), primero debe apretar la palanca de desbloqueo del brazo mezclador (6), y a continuación levantarlo (1) y retirar el protector (11) de la batidora girándolo en la dirección contraria a las agujas del reloj.

CÓMO USAR EL PROTECTOR ANTISALPICADURAS CON ORIFICIO DE LLENADO

- Después de fijar el protector (11) siguiendo las instrucciones de «CÓMO UTILIZAR SU BATIDORA», protegerá encimeras y la batidora contra salpicaduras. También puede utilizar el orificio de llenado para añadir ingredientes al bol (2).

CÓMO CONECTAR EL APARATO A LA CORRIENTE

- Los accesorios mezcladores (8, 9, 10) deben estar siempre colocados antes de enchufar la batidora.
- Antes de enchufar la batidora, asegúrese de que el control de velocidad (4) esté en la posición de parada, y de que el interruptor ON/OFF (5) esté desactivado.
- Coloque y fije el brazo mezclador (1) en su sitio antes de

utilizar la batidora. La batidora tiene una función de seguridad que garantiza que no pueda ponerse en marcha mientras el brazo mezclador esté levantado.

MEZCLAR

- **IMPORTANTE.** Después de funcionar durante 10 minutos seguidos, la batidora debe permanecer 5 minutos apagada para evitar que el motor se sobrecaliente. No utilice más de 1 kg de harina para procesar masa de pan duro o masa de pizza. La operación no debería durar más de 5 minutos.
- Baje el accesorio mezclador (8, 9, 10) hacia los ingredientes del bol (2) y fije el brazo mezclador (6) en su sitio con un clic. A continuación use el control de velocidad (4) para elegir la velocidad adecuada. Consulte la sección «AJUSTES DE VELOCIDAD».
- Use el protector antisalpicaduras (11) para evitar salpicaduras.
- Cuando haya acabado de mezclar, ponga el control de velocidad (4) en la posición de parada, desactive el interruptor ON/OFF y desenchufe el aparato.

CÓMO RETIRAR LOS ACCESORIOS MEZCLADORES

- Asegúrese de que el control de velocidad (4) esté en posición de parada, de que el interruptor ON/OFF (5) esté en OFF y de que el aparato esté desenchufado.
- Es importantísimo que el accesorio mezclador haya parado de girar. Retire el accesorio mezclador (8, 9, 10) del orificio de inserción (3) haciéndolo girar en la dirección contraria a las agujas del reloj.

MANTENIMIENTO Y CUIDADOS

- Antes de limpiar la batidora, ponga el control de velocidad (4) en la posición de parada, desactive el interruptor ON/OFF y desenchufe el aparato.
- No use nunca detergentes abrasivos.
- Todo mantenimiento debe llevarse a cabo en un servicio técnico autorizado.

CÓMO LIMPIAR LOS ACCESORIOS MEZCLADORES

- Los restos de ingredientes se pueden retirar de los accesorios mezcladores (8, 9, 10) con un raspador de goma o plástico.
- Los accesorios mezcladores (8, 9, 10), el protector anti-salpicaduras (11) y el bol (2) se pueden lavar a mano o en el lavavajillas.

CÓMO LIMPIAR LA CARCASA

- La carcasa de la batidora solamente se puede limpiar con un paño húmedo.
- No sumerja la batidora, el enchufe ni el cable en agua. Recuerde que se trata de un dispositivo eléctrico.

ALMACENAMIENTO

- Retire el accesorio mezclador (8, 9, 10) siempre que no utilice la batidora.
- El brazo mezclador (11) siempre tiene que estar bajado cuando guarde la batidora.
- Desenchufe la batidora siempre que no la utilice.

FICHA TÉCNICA

Tensión nominal EUROPA	220–240V~ 50/60Hz
Tensión nominal Estados Unidos	120V~ 60Hz
Potencia EUROPA	700 W
Potencia Estados Unidos	700 W
Capacidad	4,7 l / 160 oz
Longitud del cable	aprox. 100 cm / 39 pulgadas
Certificaciones	GS, CE, ETL, CETL

CONDICIONES DE REPARACIÓN Y GARANTÍA

Todos los productos BODUM® se fabrican utilizando materiales duraderos de la más alta calidad. Sin embargo, si en algún momento necesita cambiar alguna pieza, póngase en contacto con su proveedor BODUM®, una tienda BODUM®, el representante de BODUM® en su país, o visite www.bodum.com.

Garantía. BODUM® ofrece una garantía de 2 años para la batidora «BISTRO». Los 2 años se contarán a partir de la fecha de compra y la garantía cubrirá todos los defectos de los materiales y fallos que pudieran resultar de defectos de fabricación o diseño. Si se cumplen todas las condiciones de la garantía, la reparación se realizará sin coste alguno. No existe la posibilidad de reembolsar el producto.

Condiciones de garantía. El vendedor deberá cumplimentar el certificado de garantía en el momento de la compra. BODUM® no cubre los daños atribuibles a un uso o un manejo inadecuados, al desgaste normal por el uso del aparato, a un cuidado o mantenimiento deficientes o incorrectos, o a un manejo o utilización indebidos por parte de personas no autorizadas.

Benvenuti da BODUM®

Congratulazioni! Siete ora proprietari di un robot da cucina BISTRO di BODUM®. Leggete attentamente queste istruzioni prima di utilizzare l'apparecchio.

AVVERTENZE DI SICUREZZA IMPORTANTI

- Leggere attentamente tutte le istruzioni prima di utilizzare per la prima volta l'elettrodomestico. Il mancato rispetto delle istruzioni e delle misure di sicurezza può comportare dei rischi.
- Dopo avere disimballato l'apparecchio, verificare che non abbia subito danni. Non utilizzarlo se non si è sicuri e contattare il proprio rivenditore.
- Conservare l'imballaggio (cartone, sacchetto di plastica ecc.) fuori dalla portata dei bambini (rischio di soffocamento o di lesioni).
- Questo robot da cucina è stato ideato esclusivamente per l'uso domestico. Non utilizzarlo in ambienti esterni.
- Non appoggiare l'apparecchio sopra o vicino a fornelli a gas o elettrici accesi oppure in un forno riscaldato.
- Il produttore declina ogni responsabilità per eventuali danni o lesioni derivanti da un uso inadeguato. Usare l'apparecchio esclusivamente per gli usi consentiti.
- Non permettere ai bambini di giocare con l'apparecchio.
- È necessaria un'attenta supervisione quando l'elettrodomestico viene utilizzato da bambini o da persone che non hanno dimestichezza con l'apparecchio.
- Questo apparecchio non è adatto ad essere utilizzato da persone (inclusi i bambini) affette da disabilità o limitazioni fisiche o psichiche oppure prive di una conoscenza sufficiente per adoperare l'apparecchio, senza sorveglianza o assistenza da parte di persone responsabili.
- Non toccare mai l'apparecchio con le mani umide o bagnate. Non toccare il cavo o la spina con le mani bagnate.
- Non utilizzare alcun accessorio non approvato dal fabbricante dell'elettrodomestico. Ciò potrebbe causare incendi, scosse elettriche o lesioni.
- Tenere sempre l'apparecchio lontano dall'acqua. Si ricordi sempre che il robot da cucina è un apparecchio elettrico.
- Pulire l'apparecchio utilizzando solo un panno umido.
- Per disattivare completamente l'apparecchio, posizionare il controllo di velocità (4) su Stop, spegnere l'interruttore ON/OFF (5) su OFF e togliere la spina dalla presa elettrica.

- Per scollegare il robot da cucina afferrare la spina, non tirare mai il cavo.
- Non lasciare che il cavo penzoli da un tavolo o da un banco di lavoro o che entri in contatto con superfici calde, inclusi i fornelli.
- Staccare il cavo del robot dalla presa elettrica quando non si utilizza l'apparecchio, quando si inseriscono o si rimuovono gli accessori e prima di eseguire la pulizia.
- Non mettere mai in funzione un elettrodomestico in presenza di cavo o spina danneggiati, dopo l'insorgere di malfunzionamenti o se è caduto o ha subito danni di qualsiasi natura. In questi casi, portare l'apparecchio presso il centro assistenza autorizzato più vicino per un controllo, una riparazione o una regolazione.
- Non tentare mai di sostituire il cavo di corrente dell'apparecchio poiché per eseguire questa operazione sono necessari strumenti idonei. Riparazioni o sostituzioni dell'elettrodomestico o del cavo devono essere eseguite esclusivamente presso un centro di assistenza autorizzato dal produttore per garantire la sicurezza dell'apparecchio.
- Non immergere mai il cavo, il robot da cucina o la spina in acqua o in altri liquidi, poiché ciò potrebbe causare incendi, scosse elettriche o lesioni.
- **ATTENZIONE!** Per evitare di annullare il sistema di spegnimento di sicurezza, non utilizzare l'apparecchio collegandolo a un dispositivo esterno di commutazione, ad esempio un temporizzatore, né a un circuito elettrico che venga attivato e disattivato regolarmente dalla società di fornitura dell'energia elettrica.
- L'apparecchio non deve essere collegato alla rete elettrica quando si procede con la pulizia.
- Tenere mani, capelli, vestiti, spatole e altri utensili lontano dagli sbattitori durante il funzionamento dell'apparecchio per evitare lesioni gravi alle persone e danni al robot.
- Tenere vestiti, gioielli, capelli, dita e altri utensili lontano da accessori rotanti per evitare lesioni gravi alle persone e danni all'apparecchio.
- Per evitare di schizzare quando si mescolano i liquidi, utilizzare il coperchio antischizzo dotato di apposita apertura (11) oppure ridurre la quantità di liquidi da miscelare.
- Prima di pulire o riporre l'apparecchio, assicurarsi che il controllo di velocità (4) sia impostato su Stop, che l'interruttore ON/OFF (5) sia posizionato su OFF e che la spina sia stata tolta dalla presa elettrica.
- Non lasciare mai l'apparecchio in funzione senza sorveglianza.
- La potenza massima si basa sull'accessorio del gancio per impastare che consuma la maggiore quantità di corrente elettrica, mentre altri accessori consigliati possono consu-

- mare una quantità di corrente elettrica decisamente inferiore.
- Non utilizzarlo in ambienti esterni.
- Rimuovere gli sbattitori prima di lavare il robot.

INSTALLAZIONE

- Collocare sempre il robot da cucina su una superficie piana stabile che non sia calda, né vicina a una fonte di calore. La superficie deve essere asciutta. Tenere l'apparecchio e il cavo di alimentazione fuori dalla portata dei bambini.
- Verificare che la tensione di rete indicata sulla targhetta dell'apparecchio corrisponda alla tensione di rete del proprio paese. Collegare l'apparecchio esclusivamente a una presa di corrente con una potenza minima di 6 A e una tensione di 220–240 V~ 50/60 Hz (Europa) o 120 V~ 60 Hz (USA). (Se si utilizza un interruttore differenziale (RCD), chiedere consiglio a un elettricista). La spina deve essere facilmente accessibile durante l'uso dell'apparecchio, in caso di emergenza. Il fabbricante declina ogni responsabilità per incidenti causati da una messa a terra insufficiente o assente dell'elettrodomestico.
- Qualora la presa di corrente non fosse idonea alla spina dell'apparecchio, fare sostituire la presa da un elettricista qualificato.

CONSERVARE QUESTE ISTRUZIONI

Gli accessori BODUM per questo robot da cucina sono acquistabili separatamente sul nostro sito o nei nostri negozi. Per le istruzioni di installazione e utilizzo, consultare la brochure informativa dell'accessorio.

ELENCO DEI COMPONENTI DEL ROBOT DA CUCINA

- 1 Unità miscelatore
- 2 Recipiente
- 3 Foro di innesto degli accessori
- 4 Controllo di velocità
- 5 Interruttore ON/OFF
- 6 Pulsante di rilascio dell'unità miscelatore
- 7 Base
- 8 Accessorio sbattitore (1 pezzo)
- 9 Accessorio gancio per impastare (1 pezzo)
- 10 Accessorio frusta (1 pezzo)
- 11 Coperchio antischizzo con apertura di riempimento

INFORMAZIONI SPECIALI

CAVO DI ALIMENTAZIONE

- Facendo particolare attenzione, è possibile utilizzare una prolunga elettrica.
- Se si utilizza una prolunga, la sua tensione elettrica deve essere uguale o maggiore di quella dell'apparecchio. Se l'apparecchio è collegato a terra, la prolunga deve essere un cavo con messa a terra con almeno 3 conduttori interni. Sistemare il cavo in modo che non penzoli dal bordo del tavolo o del banco da lavoro: non deve esserci il rischio che i bambini possano tirarlo o inciamparvi.

PRIMA DI UTILIZZARE IL ROBOT DA CUCINA

Pulire il robot da cucina prima di utilizzarlo per la prima volta. Consultare il capitolo «CURA E MANUTENZIONE».

USO DEGLI ACCESSORI

Il robot da cucina viene fornito con i seguenti tre accessori: sbattitore (8), gancio per impastare (9) e frusta (10).

SBATTITORE (8)

Lo sbattitore è adatto per le normali attività di mescolamento, ad esempio di impasti per torte, biscotti, glasse, ripieni, bignè, pastafrolla, dolci e purè di patate.

GANCIO PER IMPASTARE (9)

Il gancio per impastare è particolarmente indicato per mescolare e impastare impasti per pane, impasti con lievito e per pizza.

FRUSTA (10)

La frusta è adatta per montare e mescolare uova, crema, impasti sottili, pan di Spagna, meringhe, torte al formaggio, mousse e soufflé.

IMPOSTAZIONI DELLA VELOCITÀ

Il robot da cucina è dotato di 7 diverse velocità. Ogni processo di mescolamento deve cominciare impostando la velocità più bassa, incrementandola fino a raggiungere il livello consigliato, come descritto più avanti.

POSIZIONE DI STOP

L'apparecchio si spegne in questa posizione. Per pulire o riparare l'apparecchio, posizionare la velocità su Stop, spegnere l'interruttore ON/OFF (5) su OFF e togliere la spina dalla presa elettrica.

POSIZIONE 1

La Posizione 1 è indicata per mescolare farina e liquidi e per aggiungere ingredienti secchi. Questa velocità non deve essere usata per impastare tipi di impasti duri.

POSIZIONE 2

La Posizione 2 è indicata per miscelare rapidamente e per mescolare e impastare impasti al lievito e altri tipi di impasti duri.

POSIZIONE 3-4

Queste posizioni sono indicate per mescolare tipi di impasti medio-duri.

POSIZIONE 5

Questa posizione è indicata per miscelare o sbattere.

POSIZIONE 6

La Posizione 6 è indicata per montare la crema, l'albume dell'uovo e le glass. In questa posizione è opportuno utilizzare il coperchio antischizzo con l'apposita apertura (11). Applicare il coperchio antischizzo con l'apposita apertura di riempimento, come descritto nel capitolo:

«MODALITÀ D'USO DEL ROBOT DA CUCINA»

POSIZIONE «MAX»

La posizione «Max» è indicata per montare o sbattere piccole quantità di crema o albume.

MODALITÀ D'USO DEL ROBOT DA CUCINA

FIGURA A

- Prima di applicare gli accessori per mescolare (8, 9, 10), il coperchio antischizzo con apertura (11) o il recipiente (2), assicurarsi che il controllo di velocità (4) sia impostato su Stop, che l'interruttore ON/OFF (5) sia posizionato su OFF e che la spina sia stata tolta dalla presa elettrica.
- Premere verso il basso il pulsante di rilascio dell'unità miscelatore (6) sollevando contemporaneamente l'unità fino a bloccarlo nella posizione aperta.

FIGURA B

- Premere il coperchio antischizzo con apertura (11) nell'unità miscelatore (1) fino ad innestarlo completamente ruotando delicatamente in senso orario. Questo fermaglio fissa saldamente il coperchio antischizzo con apertura (11) al robot da cucina.

FIGURA C

- Inserire l'accessori per mescolare (8, 9, 10) nel foro di innesto (3) fino a innestarlo, quindi ruotarlo in senso orario.

FIGURA D

- Posizionare il recipiente (2) sulla base (7), premere verso il basso e bloccarlo in posizione ruotandolo in senso orario.
- Premere il pulsante di rilascio dell'unità miscelatore (6) e abbassare lentamente l'unità (1).
- Dopo avere inserito la spina nella presa elettrica e avere posizionato l'interruttore ON/OFF (5) su ON, si può usare il robot da cucina.

RIMOZIONE DEI SINGOLI ACCESSORI

- Prima di rimuovere gli accessori per mescolare (8, 9, 10), il coperchio antischizzo con apertura (11) o il recipiente (2), assicurarsi che il controllo di velocità (4) sia impostato su Stop, che l'interruttore ON/OFF (5) sia posizionato su OFF e che la spina sia stata tolta dalla presa elettrica.
- Per rimuovere il recipiente (2) è necessario dapprima premere il pulsante di rilascio dell'unità miscelatore (6), sollevare l'unità (1) e togliere il recipiente (2) dal robot ruotando in senso antiorario.
- Per rimuovere un accessorio (8, 9, 10) è necessario dapprima premere il pulsante di rilascio dell'unità miscelatore (6), sollevare l'unità (1) e rimuovere l'accessorio (8, 9, 10) dal robot ruotando in senso antiorario.
- Per rimuovere il coperchio antischizzo con apertura di riempimento (11) è necessario dapprima premere il pulsante di rilascio dell'unità miscelatore (6), sollevare l'unità (1) e togliere il coperchio antischizzo (11) dal robot ruotando in senso antiorario.

USO DEL COPERCHIO ANTISCHIZZO CON APERTURA DI RIEMPIMENTO

- Il coperchio antischizzo con apertura di riempimento (11) deve essere applicato come descritto in «MODALITÀ D'USO DEL ROBOT DA CUCINA» e ha lo scopo di proteggere il piano di lavoro e l'unità miscelatore dagli spruzzi. Gli ingredienti da aggiungere nel recipiente (2) si possono anche inserire nell'apposita apertura di riempimento.

COLLEGAMENTO ALL'ALIMENTAZIONE ELETTRICA

- Gli accessori per mescolare (8, 9, 10) devono sempre essere applicati prima di collegare l'unità miscelatore all'alimentazione elettrica.
- Prima di collegarlo, assicurarsi che il controllo della velocità (4) sia posizionato su Stop e che l'interruttore ON/OFF (5) sia spento.

- Prima di azionare il robot da cucina, l'unità miscelatore (1) deve essere chiusa e bloccata nella corretta posizione. Il robot da cucina è dotato di una funzione di sicurezza che impedisce l'azionamento del miscelatore quando l'unità è sollevata.

MESCOLARE

- **IMPORTANTE:** per impedire il surriscaldamento del motore, spegnere il robot da cucina dopo 5 minuti di utilizzo continuo e attendere 10 minuti prima di proseguire. Per lavorare un impasto duro per pane o pizza, non usare più di 1 kg di farina. L'operazione non dovrebbe prolungarsi oltre i 5 minuti.
- Abbassare gli accessori per mescolare (8,9,10) dentro gli ingredienti nel recipiente (2) e chiudere l'unità miscelatore (6). Con il controllo di velocità (4) selezionare quindi la velocità desiderata. Consultare il capitolo «IMPOSTAZIONI DELLA VELOCITÀ».
- Usare il coperchio antischizzo (11) per evitare gli spruzzi.
- Dopo avere terminato di mescolare, posizionare il controllo di velocità (4) su Stop, spegnere l'interruttore ON/OFF (5) su OFF e togliere la spina dalla presa elettrica.

RIMOZIONE DEGLI ACCESSORI PER MESCOLARE

- Assicurarsi che il controllo di velocità (4) sia impostato su Stop, che l'interruttore ON/OFF (5) sia posizionato su OFF e che la spina sia stata tolta dalla presa elettrica.
- È fondamentale che gli accessori siano fermi e non in rotazione. Togliere l'accessorio (8,9,10) dal foro di innesto (3) ruotando in senso antiorario.

CURA E MANUTENZIONE

- Prima di procedere con la pulizia, posizionare il controllo di velocità (4) su Stop, spegnere l'interruttore ON/OFF (5) su OFF e togliere la spina dalla presa elettrica.
- Non usare mai detersivi in polvere.
- Qualsiasi altra operazione di manutenzione deve essere effettuata da un tecnico di assistenza autorizzato.

PULIZIA DEGLI ACCESSORI PER MESCOLARE

- Per rimuovere i residui degli ingredienti dagli accessori (8, 9, 10) si può usare un raschietto di gomma o plastica.
- Gli accessori (8, 9, 10), il coperchio antischizzo (11) e il recipiente (2) si possono lavare a mano o in lavastoviglie.

PULIZIA DELLA STRUTTURA ESTERNA

- Pulire l'intera struttura esterna del robot da cucina esclusivamente con un panno umido.
- Non immergere mai il robot da cucina, la spina o il cavo di alimentazione nell'acqua: si ricordi che questo è un apparecchio elettrico.

CONSERVAZIONE

- Togliere sempre gli accessori per mescolare (8, 9, 10) quando non si usa l'apparecchio.
- Quando si ripone il robot, l'unità miscelatore (11) deve sempre essere abbassata.
- Scollegare sempre l'apparecchio dalla corrente elettrica quando non lo si usa.

DATI TECNICI

Tensione nominale EUROPA	220–240V~ 50/60Hz
Tensione nominale USA	120V~ 60Hz
Potenza nominale EUROPA	700 W
Potenza nominale USA	700 W
Capacità	4,7 litri / 160 oz
Lunghezza cavo ca.	100 cm/48"
Certificazioni	GS, CE, ETL, CETL

CONDIZIONI PER L'ASSISTENZA E LA GARANZIA

Tutti i prodotti BODUM® sono fabbricati utilizzando materiali robusti e di alta qualità. Tuttavia, qualora fosse necessario sostituire alcuni pezzi, contattare il proprio rivenditore BODUM®, un negozio BODUM®, il distributore nazionale BODUM® o visitare il sito: www.bodum.com

Garanzia. BODUM® offre una garanzia di due anni a partire dalla data di acquisto del robot da cucina «BISTRO» a copertura di materiali difettosi e malfunzionamenti che possono derivare da difetti nella produzione o nella progettazione dell'elettrodomestico. Le riparazioni vengono effettuate gratuitamente qualora vengano soddisfatte tutte le condizioni relative alla garanzia. Non è possibile richiedere rimborsi.

Condizioni per la garanzia. Il certificato di garanzia deve essere compilato in tutte le sue parti dal rivenditore al momento dell'acquisto. BODUM® non concede alcuna garanzia per danni causati da uso improprio, impiego non conforme, normale usura, interventi di pulizia e manutenzione carenti o errati, utilizzo errato e interventi di persone non autorizzate.

Welkom bij BODUM®

Hartelijk gefeliciteerd! U bent nu de trotse eigenaar van een BISTRO staande mixer van BODUM®. Lees deze gebruiksaanwijzing zorgvuldig door voordat u het apparaat in gebruik neemt.

BELANGRIJKE VEILIGHEIDSINSTRUCTIES

- Lees voordat u het apparaat gaat gebruiken eerst de gebruiksaanwijzing grondig door. Het niet naleven van de instructies en veiligheidsinformatie kan gevaar veroorzaken.
- Controleer het apparaat na het uitpakken op tekenen van schade. Gebruik het apparaat niet als iets niet in orde lijkt maar neem contact op met het bedrijf waar u het apparaat hebt gekocht.
- Bewaar het verpakkingsmateriaal (doos, plasticzakken, etc.) buiten bereik van kinderen (verstikkings- en letselgevaar).
- Deze staande mixer is alleen bestemd voor huishoudelijk gebruik. Gebruik het apparaat niet buiten.
- Zet het apparaat niet op of bij een ingeschakeld gasfornuis of elektrisch fornuis of in een voorverwarmde oven.
- De fabrikant aanvaardt geen aansprakelijkheid voor eventuele schade of letsel door onjuist of oneigenlijk gebruik. Gebruik het apparaat alleen voor de doeleinden waarvoor het is bestemd.
- Laat nooit kinderen met het apparaat spelen.
- Nauwlettend toezicht is vereist wanneer het apparaat wordt gebruikt door of in de nabijheid van kinderen, of door personen die niet vertrouwd zijn met de werking van het apparaat.
- Dit apparaat is niet bedoeld voor gebruik door personen (waaronder kinderen) met verminderde fysieke, sensorische of geestelijke vaardigheden, of een gebrek aan ervaring of kennis, tenzij ze onder toezicht staan van een verantwoordelijke persoon of deze persoon ze de gebruiksaanwijzingen van het apparaat heeft uitgelegd.
- Raak het apparaat nooit aan met vochtige of natte handen. Raak het netsnoer of de stekker niet aan met natte handen.
- Gebruik geen accessoires die niet zijn aanbevolen door de fabrikant van het apparaat. Dit zou brand, elektrische schokken of letsel kunnen veroorzaken.
- Houd het apparaat altijd uit de buurt van water. Vergeet niet dat uw staande mixer een elektrisch apparaat is.
- Zet de snelheidsregelaar (4) op stop, zet de aan/uit-schakel-

- aar (5) op UIT en verwijder de stekker uit het stopcontact om het apparaat volledig uit te schakelen.
- Trek altijd alleen aan de stekker en niet aan het netsnoer zelf om de staande mixer van de elektrische voeding los te koppelen.
 - Laat het netsnoer niet over de rand van de tafel of het aanrecht hangen en zorg ervoor dat het netsnoer geen hete oppervlakken raakt, zoals het fornuis.
 - Haal de stekker van de staande mixer uit het stopcontact als de mixer niet wordt gebruikt, als u accessoires aansluit of verwijdert en wanneer u het wilt schoonmaken.
 - Neem elektrische apparaten nooit in gebruik als het netsnoer of de stekker beschadigd is, als het apparaat niet goed werkt of als het apparaat is gevallen of op enige wijze is beschadigd. Laat in dat geval het apparaat nakijken, repareren of afstellen door het dichtstbijzijnde servicecenter.
 - Vervang nooit zelf het netsnoer van het apparaat. Hiervoor is speciaal gereedschap nodig. Laat het apparaat alleen repareren of het snoer vervangen door een servicecenter dat door de fabrikant is goedgekeurd om de veiligheid van het apparaat te garanderen.
 - Dompel het netsnoer, de staande mixer of de stekker nooit onder in water of een andere vloeistof, aangezien dit brand, elektrische schokken of letsel kan veroorzaken.
 - **WAARSCHUWING!** Om het risico te vermijden dat het apparaat de veiligheidsuitschakelfunctie omzeilt, mag het nooit worden gevoed vanaf een externe schakelaar zoals een tijd klok of aangesloten op een stroomkring die regelmatig door de elektriciteitsleverancier wordt onderbroken.
 - Het apparaat mag tijdens het schoonmaken niet zijn aangesloten op het stopcontact.
 - Houd terwijl de mixer in gebruik is handen, haar, kleding, spatels en ander gerei uit de buurt van de kloppers om het risico van letsel aan personen en/of schade aan de mixer te voorkomen.
 - Houd kleding, juwelen, haar, vingers en ander gerei uit de buurt van draaiende onderdelen, aangezien hierdoor ernstig letsel aan personen of schade aan het apparaat kan ontstaan.
 - Gebruik om spatten tegen te gaan het antispatdeksel met vulopening (11) als u vloeistoffen mengt of gebruik een kleinere hoeveelheid.
 - Zet de snelheidsregelaar (4) op stop, zet de AAN/UIT-schakelaar (5) op UIT en haal de stekker uit het stopcontact voordat u het apparaat reinigt of wegzet.
 - Laat het apparaat nooit onbeheerd lopen.
 - Het maximaal nominaal vermogen is gebaseerd op de

deeghaak, die de meeste stroom gebruikt. Andere aanbevolen hulpstukken gebruiken mogelijk aanzienlijk minder stroom.

- Gebruik het apparaat niet buiten.
- Haal de kloppers van de mixer voordat u ze reinigt.

INSTALLATIE

- Zet de staande mixer altijd op een stabiel, gelijkmatig oppervlak. Dit oppervlak mag niet heet zijn en zich niet in de buurt van een warmtebron bevinden. Het oppervlak moet droog zijn. Houd het apparaat en het netsnoer buiten bereik van kinderen.
- Controleer of de spanning die wordt vermeld op het typeplaatje van het apparaat overeenkomt met de netspanning in uw regio. Sluit het apparaat alleen aan op een geschikt stopcontact met een nominale stroom van ten minste 6 A en een spanning van 220–240 V~ 50/60Hz (EURO) of 120 V~ 60 Hz (VS).
(Raadpleeg een elektricien als u gebruikmaakt van een reststroomapparaat). Het stopcontact moet voor noodgevallen gemakkelijk toegankelijk zijn als het apparaat in gebruik is. De fabrikant is niet verantwoordelijk voor ongevallen die worden veroorzaakt door een slechte of ontoereikende aarding van het apparaat.
- Laat een elektricien het stopcontact vervangen als het niet geschikt is voor de stekker van het apparaat.

BEWAAR DEZE INSTRUCTIES GOED

Voor deze staande mixer zijn via onze website of in onze winkels afzonderlijke BODUM-accessoires verkrijgbaar. Raadpleeg het informatieboekje bij het accessoire voor gedetailleerde installatie- en gebruiksinstructies.

ONDERDELENLIJST STAANDE MIXER

- 1 Mengarm
- 2 Schaal
- 3 Inbengopening voor hulpstukken voor de mixer
- 4 Snelheidsregelaar
- 5 AAN/UIT-knop
- 6 Loslaatknop voor de mengarm
- 7 Basis
- 8 Klopper (1 stuk)
- 9 Deeghaak (1 stuk)
- 10 Klutser (1 stuk)
- 11 Antispatdeksel met vulopening

SPECIALE INFORMATIE

NETSNOER

- U kunt een verlengsnoer gebruiken mits alle gepaste voorzorgsmaatregelen worden getroffen.
- Bij gebruik van een verlengsnoer moeten de specificaties met betrekking tot de nominale stroom voor het verlengsnoer gelijk zijn aan of groter zijn dan die voor het apparaat. Als het apparaat geaard is, moet het verlengsnoer een drie-aderig, geaard snoer zijn. Het verlengsnoer mag niet over de rand van de tafel of het aanrecht hangen, het moet buiten bereik van kinderen blijven en het mag geen struikelgevaar opleveren.

STAANDE MIXER VÓÓR GEBRUIK

Reinig de staande mixer voordat u het apparaat de eerste keer gebruikt. Raadpleeg het hoofdstuk «ONDERHOUD».

DE HULPSTUKKEN GEBRUIKEN

Met uw staande mixer worden drie hulpstukken meegeleverd: klopper (8), deeghaak (9) en klutser (10).

KLOPPER (8)

De klopper is geschikt voor normale mengtaken zoals cakes, koekjes, glazuur, vullingen, eclairs, pasteitjes, zoet deeg en aardappelpuree.

DEEGHAAK (9)

De deeghaak is zeer geschikt voor het mengen en kneden van brooddeeg, gistdeeg en pizzadeeg.

KLUTSER (10)

De klutser is geschikt voor het kloppen en mengen van eieren, roomsauzen, dun deeg, luchtig, vetvrij deeg, meringue, kaastaart, mousse en soufflés.

SNELHEID INSTELLEN

De staande mixer kan op 7 verschillende snelheden worden ingesteld. Let op: telkens wanneer u begint te mengen dient u te beginnen op de laagste snelheid voordat u deze verhoogt tot de aanbevolen snelheid, zoals hieronder aangegeven.

STOPSTAND

In deze stand wordt het apparaat uitgeschakeld. Zet de snelheidsregelaar altijd op stop, zet de aan/uit-schakelaar (5) op UIT en verwijder de stekker uit het stopcontact voordat u het apparaat reinigt of opbergt.

STAND 1

Stand 1 is geschikt voor het mengen van bloem met vloeistof en voor het toevoegen van droge ingrediënten. Deze snelheid is niet geschikt voor het kneden van zwaar deeg.

STAND 2

Stand 2 is geschikt voor snel roeren en het mengen en kneden van gistdeeg en ander zwaar deeg.

STAND 3-4

Deze standen zijn geschikt voor het mengen van middelzwaar deeg.

STAND 5

Deze stand is geschikt voor roeren en kloppen.

STAND 6

Stand 6 is geschikt voor het kloppen van slagroom, eiwit en glazuur. Zeker in deze stand dient u het antispatdeksel met vulopening (11) te gebruiken. Plaats het antispatdeksel met vulopening zoals beschreven in hoofdstuk:

«UW STAANDE MIXER GEBRUIKEN».

STAND «MAX»

De stand "Max" is geschikt voor het kloppen van kleine hoeveelheden roomsaus of eiwit.

UW STAANDE MIXER GEBRUIKEN

AFBEELDING A

- Zet de snelheidsregelaar (4) op stop, zet de AAN/UIT-schakelaar (5) op UIT en haal de stekker uit het stopcontact voordat u een hulpstuk (8, 9, 10), het antispatdeksel met vulopening (11) of de schaal (2) plaatst.
- Druk de loslaatknop voor de mengarm (6) in op hetzelfde moment dat u de mengarm omhoog brengt totdat u deze in de open stand hoort klikken.

AFBEELDING B

- Duw het antispatdeksel met vulopening (11) zover mogelijk op de mengarm (1) en zet het vast door deze voorzichtig rechtsonder te draaien. Deze bajonetvergrendeling zorgt ervoor dat het antispatdeksel met vulopening (11) stevig op de staande mixer is bevestigd.

AFBEELDING C

- Breng het hulpstuk (8, 9, 10) zover mogelijk in de opening (3) in en draai het vervolgens rechtsonder.

AFBEELDING D

- Plaats de schaal (2) op de basis (7), druk de schaal neer en zet de schaal op zijn plaats vast door hem rechtsom te draaien.
- Druk de loslaatknop voor de mengarm (6) in en laat de mengarm (11) langzaam zakken.
- De staande mixer kan worden gebruikt zodra de stekker in het stopcontact zit en de AAN/UIT-schakelaar (5) op AAN is gezet.

DE AFZONDERLIJKE HULPSTUKKEN VERWIJDEREN

- Zet de snelheidsregelaar (4) op stop, zet de AAN/UIT-schakelaar (5) op UIT en haal de stekker uit het stopcontact voordat u een hulpstuk (8, 9, 10), het antispatdeksel met vulopening (11) of de schaal (2) verwijdert.
- Om de schaal (2) te verwijderen dient u eerst op de loslaatknop voor de mengarm (6) te drukken, de mengarm (1) omhoog te brengen en de schaal (2) uit de vergrendelde stand op de staande mixer te halen door deze linksom te draaien.
- Om een hulpstuk (8, 9, 10) te verwijderen dient u eerst op de loslaatknop voor de mengarm (6) te drukken, de mengarm (1) omhoog te brengen en het hulpstuk (8, 9, 10) uit de vergrendelde stand in de staande mixer te halen door deze linksom te draaien.
- Om het antispatdeksel met vulopening (11) te verwijderen dient u eerst op de loslaatknop voor de mengarm (6) te drukken, de mengarm (1) omhoog te brengen en het antispatdeksel met vulopening (11) uit de vergrendelde stand op de staande mixer te halen door deze linksom te draaien.

HET ANTISPATDEKSEL MET VULOPENING GEBRUIKEN

- Nadat het antispatdeksel met vulopening (11) is aangebracht zoals beschreven in «UW STAANDE MIXER GEBRUIKEN», wordt voorkomen dat er spatten op het aanrecht en de staande mixer terechtkomen. U kunt de vulopening ook gebruiken om ingrediënten aan de schaal (2) toe te voegen.

DE VOEDING AANSLUITEN

- De hulpstukken (8, 9, 10) moeten altijd op de staande mixer zijn aangebracht voordat u de mixer op het lichtnet aansluit.
- Voordat u de staande mixer aansluit op het lichtnet moet de snelheidsregelaar (4) op stop zijn gezet en moet de AAN/UIT-schakelaar (5) op UIT staan.

- Voordat u de staande mixer gebruikt moet de mengarm (1) zijn gesloten en op zijn plaats zijn vastgeklikt. De staande mixer heeft een veiligheidsfunctie die voorkomt dat de staande mixer start als de mengarm omhoog is gebracht.

MENGEN

- **BELANGRIJK.** Nadat de staande mixer 5 minuten lang ononderbroken is gebruikt, dient deze 10 minuten lang te worden uitgeschakeld om oververhitting van de motor te voorkomen.
Gebruik voor het bewerken van stijf brooddeeg of pizza-deeg niet meer dan 1 kg bloem. Het bewerken daarvan zou niet langer dan 5 minuten hoeven duren.
- Breng het hulpstuk (8, 9, 10) omlaag in de ingrediënten in de schaal (2) en klik de mengarm (6) op zijn plaats. Selecteer vervolgens met de snelheidsregelaar (4) de gewenste snelheid. Raadpleeg het hoofdstuk «SNELHEID INSTELLEN».
- Gebruik het antispatdeksel (11) om spatten te voorkomen.
- Zet de snelheidsregelaar (4) op stop, zet de AAN/UIT-schakelaar op UIT en verwijder de stekker uit het stopcontact als u klaar bent.

DE HULPSTUKKEN VERWIJDEREN

- Controleer of de snelheidsregelaar (4) op stop is gezet, de AAN/UIT-schakelaar (5) op UIT en dat de stekker uit het stopcontact is verwijderd.
- Het is heel belangrijk dat het hulpstuk niet meer draait. Haal het hulpstuk (8, 9, 10) uit de inbrengopening (3) door deze linksom te draaien.

ONDERHOUD

- Zet de snelheidsregelaar (4) op stop, zet de AAN/UIT-schakelaar (5) op UIT en verwijder de stekker uit het stopcontact als u klaar bent voordat u het apparaat reinigt.
- Gebruik nooit schuurpoeders.
- Andere servicewerkzaamheden mogen alleen worden uitgevoerd door een bevoegde servicemedewerker.

DE HULPSTUKKEN REINIGEN

- Productresten kunnen van de hulpstukken (8, 9, 10) worden verwijderd met een rubberen of plastic schraper.
- De hulpstukken (8, 9, 10), het antispatdeksel (11) en de schaal (2) kunnen op de hand of in de vaatwasser worden gereinigd.

DE BEHUIZING REINIGEN

- De gehele behuizing van de staande mixer mag alleen worden gereinigd met een vochtige doek.
- Dompel de staande mixer, de stekker of het snoer nooit onder in water. Vergeet niet dat uw staande mixer een elektrisch apparaat is.

OPSLAG

- Verwijder altijd hulpstukken (8, 9, 10) als u de staande mixer niet gebruikt.
- De mengarm (11) moet altijd omlaag zijn gebracht als de staande mixer wordt opgeborgen.
- Haal de staande mixer altijd uit het stopcontact als u hem niet gebruikt.

TECHNISCHE SPECIFICATIES

Nominale spanning Europa	220–240 V~ 50/60 Hz
Nominale spanning Verenigde Staten	120 V~ 60 Hz
Nominaal vermogen Europa	700 W
Nominaal vermogen Verenigde Staten	700 W
Capaciteit	4,7 liter / 160 oz
Lengte netsnoer	ong. 100 cm / 39 inch
Certificeringen	GS, CE, ETL, CETL

SERVICE- EN GARANTIEVOORWAARDEN

Alle BODUM®-producten worden vervaardigd van hoogwaardige, duurzame materialen. Mocht het echter toch nodig zijn een onderdeel te vervangen, neem dan contact op met de BODUM®-dealer, een BODUM®-winkel of de BODUM®-vertegenwoordiger in uw land, of ga naar: www.bodum.com

Garantie. BODUM® biedt voor de staande mixer «BISTRO» 2 jaar garantie vanaf de aankoopdatum voor alle materiële gebreken of gestoorde werking die het gevolg zijn van fabricage- of ontwerpfouten. Reparaties worden gratis uitgevoerd als aan alle garantievoorwaarden is voldaan. Restitutie van de aankoopprijs is niet mogelijk.

Garantievoorwaarden. Het garantiebewijs moet ten tijde van de aankoop volledig worden ingevuld door de verkoper. De garantie van BODUM® dekt geen schade die is veroorzaakt door onjuist gebruik, onjuiste hantering, normale slijtage, onvoldoende of onjuist onderhoud, onjuiste bediening of oneigenlijk gebruik van het apparaat door onbevoegde personen.

Välkommen till BODUM®

Gratulerar! Du är nu stolt ägare av en BISTRO matberedare från BODUM®. Läs anvisningarna noggrant innan du börjar använda apparaten.

VIKTIGA SÄKERHETSREGLER

- Läs alla instruktioner noggrant innan du använder apparaten första gången. Du utsätter dig för fara om du inte följer instruktionerna och säkerhetsinformationen.
- När du har packat upp apparaten tittar du efter tecken på skada. Använd inte apparaten om du är osäker och kontakta din återförsäljare.
- Förvara förpackningsmaterialet (kartong, plastpåsar etc.) utom räckhåll för barn (risk för kvävning eller skada).
- Matberedaren är endast avsedd för hemmabruk. Den ska inte användas utomhus.
- Placera inte apparaten på eller nära en gaslåga eller inkopplad elplatta, eller i en uppvärmd ugn.
- Tillverkaren fransäger sig allt ansvar för person- och materialskador till följd av felaktigt eller olämpligt bruk. Apparaten ska endast användas i det syfte den är avsedd för.
- Låt inte barn leka med apparaten.
- Det är nödvändigt att vara mycket uppmärksam om apparaten används av barn eller personer som inte är vana att hantera den.
- Apparaten ska inte användas av personer (inklusive barn) med nedsatt fysisk, sensorisk eller mental funktion, eller otillräcklig erfarenhet eller kunskap, såvida de inte hålls under uppsikt eller instrueras om apparatens användning av en person som ansvarar för deras säkerhet.
- Rör aldrig vid apparaten med fuktiga eller våta händer. Rör inte vid sladden eller kontakten med våta händer.
- Använd inga tillbehör som inte rekommenderas av apparatens tillverkare. Det kan orsaka brand, elchock eller personskada.
- Apparaten ska alltid hållas på säkert avstånd från vatten. Tänk på att matberedaren är en elektrisk apparat.
- Apparaten får endast rengöras med en fuktad trasa.
- Ställ in hastighetsreglaget (4) på stopp, ställ strömbrytaren (5) i läget AV och dra ur kontakten ur vägguttaget för att vara säker på att apparaten är avstängd.
- Håll i kontakten och inte i sladden när du kopplar ur apparaten från vägguttaget.

- Kontrollera att nätsladden inte hänger utanför kanten på bordet eller arbetsbänken eller kommer i kontakt med heta ytor, inklusive spisen.
- Dra alltid ur matberedarens kontakt från vägguttaget när apparaten inte används, när du sätter i redskapen och när du rengör apparaten.
- Starta aldrig en elektrisk apparat om sladden eller kontakten är skadad, om ett funktionsfel uppstår, eller om själva apparaten har tappats eller är skadad på något sätt. Om så är fallet ska apparaten kontrolleras, repareras eller justeras av ditt närmaste servicecenter.
- Försök aldrig byta ut apparatens strömsladd eftersom det krävs särskilda verktyg för uppgiften. För att uppfylla säkerheten får apparaten endast repareras och strömsladden bytas vid ett servicecenter som är auktoriserat av tillverkaren.
- Sänk aldrig ned sladden, matberedaren eller kontakten i vatten eller annan vätska, eftersom det kan orsaka eldsvåda, elektrisk stöt eller personskada.
- **FÖRSIKTIGHET!** För att undvika risken att säkerhetsfunktionen förbikopplas får apparaten aldrig kopplas in via en extern strömbrytare, t.ex. en timer, eller anslutas till en strömkrets som regelbundet aktiveras och inaktiveras av elbolaget.
- Apparaten får inte anslutas till vägguttaget när den rengörs.
- Håll händer, hår, kläder samt degskrapor och andra redskap på avstånd från visparna när matberedaren används för att minska risken för personsador och/eller skador på apparaten.
- Håll kläder, smycken, fingrar, hår och redskap borta från de roterande komponenterna för att undvika allvarliga personsador och skador på apparaten.
- Använd det medföljande stänkskyddet med påfyllningsöppning (11) när vätskor blandas, eller minska mängden för att undvika stänk.
- Kontrollera att hastighetsreglaget (4) står i läget Stopp, att strömbrytaren (5) står i läget AV och att kontakten har dragits ur från vägguttaget innan apparaten rengörs eller ställs undan.
- Maskinen ska alltid hållas under uppsikt när den används.
- Märkningen som anger maxvärden baseras på degkroken som är det redskap som kräver mest kraft (effekt eller ström) medan andra rekommenderade tillbehör kan använda betydligt mindre effekt och ström.
- Använd inte apparaten utomhus.
- Ta ur visparna från matberedaren innan den rengörs.

INSTALLATION

- Placera alltid matberedaren på en stabil och plan yta. Ytan får inte vara het och får inte vara i närheten av en värmekälla. Ytan måste vara torr. Förvara apparaten och nätsladden utom räckhåll från barn.
- Kontrollera att spänningen som anges på apparatens märkskylt motsvarar spänningen för strömtillförseln i ditt område. Anslut endast apparaten till ett ordentlig ström-uttag med en uteffekt på minst 6 A och en spänning på 220-240 V ~ 50/60 Hz (EUROPA) eller 120 V ~ 60 Hz (USA). (Rådfråga en elektriker om du använder en jordfelsbrytare.) Strömuttaget måste vara lättillgängligt i ett eventuellt nödfall när apparaten används. Tillverkaren ansvarar inte för olyckor som inträffar på grund av felaktig eller otillräcklig jordning av apparaten.
- Låt en kvalificerad elektriker byta ut vägguttaget om apparatens kontakt inte passar.

BEHÅLL INSTRUKTIONERNA FÖR FRAMTIDA BRUK

Separata BODUM-tillbehör till matberedaren finns att köpa via vår webbsida eller i våra butiker. Se tillbehörets informationsbroschyr för utförliga anvisningar om installation och användning.

LISTA ÖVER MATBEREDARENS DELAR

- 1 Mixerarm
- 2 Skål
- 3 Öppning där vispar och andra redskap förs in
- 4 Hastighetskontroll
- 5 Strömbrytare
- 6 Frigöringsspak för mixerarmen
- 7 Bas
- 8 Grövre visp (1 styck)
- 9 Degkrok (1 styck)
- 10 Ballongvisp (1 styck)
- 11 Stänkskydd med påfyllningsöppning

SÄRSKILD INFORMATION

STRÖMSLADD

- En förlängningssladd får användas om alla nödvändiga försiktighetsåtgärder vidtages.

- När en förlängningssladd används måste sladdens märkdata motsvara eller överstiga apparatens märkdata. Om apparaten är jordad, måste förlängningssladden vara en trepolig jordad sladd. Förlängningssladden ska inte hänga ut över kanten på bordet eller arbetsbänken, barn ska inte kunna dra i den och det ska inte gå att snubbla på den.

INNAN DU ANVÄNDER MATBEREDAREN

Rengör matberedaren innan du använder den första gången. Se avsnittet «UNDERHÅLL OCH SKÖTSEL».

ANVÄNDA TILLBEHÖR

Matberedaren levereras med följande tre blandarredskap: grov visp (8), degkrok (9) och ballongvisp (10).

GROV VISP (8)

Den grova vispen är lämplig för vanliga tillämpningar såsom mjuka kakor, kakor, glasyrer, fyllningar, eclairbakelser, pajdeg, söta degar och potatismos.

DEGKROK (9)

En degkrok är särskilt lämplig att använda för blandning och knådning av brödeg, jästdeg och pizzadeg.

BALLONGVISP (10)

Ballongvispen är lämplig för att vispa och blanda ägg, grädde, tunna degar, fettfri sockerkakssmet, maräng, cheesecake, mousse och suffléer.

HASTIGHETSINSTÄLLNINGAR

Matberedaren har 7 olika hastighetsinställningar. Observera att apparaten alltid ska startas på den lägsta hastigheten för alla tillämpningar innan hastigheten ökas till den rekommenderade nivån enligt nedan.

LÄGET STOPP

Apparaten är avstängd i detta läge. Ställ alltid in hastigheten i läget Stopp, ställ strömbrytaren (5) i läget AV och dra ur kontakten från vägguttaget när apparaten rengörs eller ställs undan.

LÄGE 1

Läge 1 är lämpligt för att blanda mjöl med vätska och för att tillsätta torra ingredienser. Denna hastighet får inte användas för att knåda tunga degar.

LÄGE 2

Läge 2 är lämpligt för att röra snabbt och för att blanda och knåda jästdegare och andra tunga degar.

LÄGE 3-4

Dessa lägen är lämpliga för att blanda medeltunga degar.

LÄGE 5

Läget är lämpligt för att röra och vispa.

LÄGE 6

Läge 6 är lämpligt för att vispa grädde, äggvitor och glasyrer. Använd stänkskyddet med påfyllningsöppning (11) när detta läge används. Montera stänkskyddet med påfyllningsöppning enligt beskrivningen i avsnittet «SÅ HÄR ANVÄNDER DU MATBEREDAREN»

MAXLÄGET

Maxläget är lämpligt för att vispa eller slå små mängder grädde eller äggvita.

SÅ HÄR ANVÄNDER DU MATBEREDAREN

FIGUR A

- Innan blandarredskapen (8, 9, 10), stänkskyddet med påfyllningsöppning (11) eller skålen (2) sätts på plats måste du se till att hastighetsreglaget (4) står i läget Stopp, att strömbrytaren (5) står i läget AV och att kontakten har dragits ur från vägguttaget.
- Tryck ner frigöringsspaken för mixerarmen (6) samtidigt som mixerarmen höjs tills den klickar på plats.

FIGUR B

- Fäst stänkskyddet med påfyllningsöppning (11) på mixerarmen (1) så att det sitter ordentligt fast och lås genom att försiktigt vrida det medurs. Stänkskyddet med påfyllningsöppning (11) låses ordentligt på plats på matberedaren med bajonettfäste.

FIGUR C

- För in blandarredskapet (8, 9, 10) i öppningen (3) så långt det går och vrid det sedan medurs.

FIGUR D

- Placera skålen (2) på basen (7), tryck den på plats och lås den genom att vrida den medurs.
- Tryck på frigöringsspaken för mixerarmen (6) och sänk

sakta mixerarmen (11).

- Matberedaren kan användas när kontakten har satts in i vägguttaget och strömbrytaren (5) står i läget PÅ.

TA BORT OLIKA REDSKAP

- Innan blandarredskapen (8, 9, 10), stänkskyddet med påfyllningsöppning (11) eller skålen (2) tas bort kontrollerar du att hastighetsreglaget (4) står i läget Stopp, att strömbrytaren (5) står i läget AV och att kontakten har tagits ur från vägguttaget.
- För att ta bort skålen (2) måste du först trycka på mixerarmens frigöringsspak (6), höja mixerarmen (1) och sedan lossa skålen (2) från matberedaren genom att vrida den moturs.
- För att ta bort ett blandarredskap (8, 9, 10) måste du först trycka på mixerarmens frigöringsspak (6), höja mixerarmen (1) och lossa blandarredskapet (8, 9, 10) från matberedaren genom att vrida det moturs.
- För att ta bort stänkskyddet med påfyllningsöppning (11) måste du först trycka på mixerarmens frigöringsspak (6), höja mixerarmen (1) och lossa skålens stänkskydd med påfyllningsöppning (11) från matberedaren genom att vrida den moturs.

SÅ HÄR ANVÄNDS STÄNKSKYDDET MED PÅFYLLNINGSÖPPNING

- När stänkskyddet med påfyllningsöppning (11) har monterats enligt beskrivningen i «SÅ HÄR ANVÄNDER DU MATBEREDAREN» skyddar det arbetsbänken och matberedaren från stänk. Du kan använda påfyllningsöppningen för att tillsätta ingredienser i skålen (2).

KOPPLA TILL NÄTUTTAGET

- Blandarredskapen (8, 9, 10) ska alltid monteras innan matberedaren ansluts till vägguttaget.
- Innan matberedaren ansluts till vägguttaget bör du kontrollera att hastighetsreglaget (4) står i läget Stopp och att strömbrytaren (5) står i läget AV.
- Innan matberedaren används ska mixerarmen (1) sänkas ner och klickas på plats. Matberedaren har en säkerhetsfunktion som gör att den inte kan starta när mixerarmen är höjd.

VISPA OCH BLANDA

- VIKTIGT. Matberedaren måste stängas av i 10 minuter efter 5 minuters oavbruten användning för att förhindra att motorn överhettas.
Använd inte mer än 1 kg mjöl vid beredning av tunga bröddeggar och pizzadegar. Matberedaren ska inte köras med än 5 minuter i sträck.
- Sänk ner blandarredskapet (8, 9,10) i ingredienserna i skålen (2) och klicka mixerarmen (6) på plats. Använd sedan hastighetsreglaget (4) för att ställa in önskad hastighet. Se avsnittet «HASTIGHETSINSTÄLLNINGAR».
- Använd stänkskyddet (11) för att undvika stänk.
- När du är färdig ställer du in hastighetsreglaget (4) på Stopp, ställer strömbrytaren i läget AV och drar ur kontakten ur vägguttaget.

TA BORT BLANDARREDSKAP

- Kontrollera att hastighetsreglaget (4) är inställt på Stopp, att strömbrytaren (5) står i läget AV och att kontakten har dragits ur från vägguttaget.
- Det är viktigt att blandarredskapen har slutat rotera. Ta bort blandarredskapet (8, 9,10) från öppningen (3) genom att vrida det moturs.

UNDERHÅLL OCH SKÖTSEL

- Innan matberedaren rengörs ska hastighetsreglaget (4) ställas i läget Stopp, strömbrytaren (5) i läget AV och kontakten dras ur från vägguttaget.
- Använd aldrig skurpulver.
- Allt övrigt underhåll ska utföras av ett auktoriserat serviceombud.

RENGÖRING AV TILLBEHÖREN

- Ingrediensrester kan avlägsnas från blandarredskapen (8, 9, 10) med en gummi- eller degskrapa.
- Blandarredskapen (8, 9, 10), stänkskyddet (11) och skålen (2) kan diskas för hand eller i diskmaskin.

RENGÖRING AV HÖLJET

- Matberedarens hölje får endast rengöras med en fuktad trasa.
- Sänk aldrig ner matberedaren, kontakten eller strömsladden i vatten. Tänk på att det är en elektrisk apparat.

FÖRVARING

- Ta alltid bort blandarredskapen (8, 9, 10) när matberedaren inte används.
- Mixerarmen (11) ska alltid sänkas när matberedaren ställs undan.
- Dra alltid ur strömsladden när matberedaren inte används.

TEKNISKA SPECIFIKATIONER

Märkspänning EUROPA	220–240 V ~ 50/60 Hz
Märkspänning USA	120 V ~ 60 Hz
Märkeffekt EUROPA	700 W
Märkeffekt USA	700 W
Kapacitet	4,7 liter/160 oz
Ungefärlig sladdlängd	100 cm/48 tum
Certifieringar	GS, CE, ETL, CETL

SERVICE OCH GARANTIVILLKOR

Alla produkter från BODUM® tillverkas av hållbara material som håller hög kvalitet. Om någon del vid något tillfälle ändå behöver bytas ber vi dig kontakta din BODUM®återförsäljare, en BODUM®butik, en BODUM®representant i ditt land, eller så kan du besöka www.bodum.com.

Garanti. För BISTRO matberedare ger BODUM® en garanti på två år från inköpsdatum för alla materialskador eller defekter som beror på design- eller tillverkningsfel. Reparation utförs utan kostnad under förutsättning att alla garantivillkor uppfylls. Det är inte möjligt att återbetala köpeskillingen.

Garantivillkor. Garantiintyget måste fyllas i fullständigt av återförsäljaren vid tiden för inköpet. BODUM® ger ingen garanti för skador som uppstår på grund av olämplig användning, felaktig hantering, normalt slitage, otillräckligt eller felaktigt underhåll eller skötsel, eller felaktig användning av ej auktoriserade personer.

Bem-vindo à BODUM®

Parabéns! Você é agora o feliz proprietário de uma batedeira BISTRO da BODUM®. Por favor, leia atentamente as instruções antes de usar o equipamento.

PRECAUÇÕES IMPORTANTES

- Leia atentamente todas as instruções antes de usar o aparelho pela primeira vez. A não observância das instruções e informações de segurança pode resultar numa situação de perigo.
- Depois de retirar da embalagem, verifique se o aparelho apresenta sinais de danos. Não o utilize se não tiver a certeza e contacte o seu revendedor.
- Mantenha a embalagem (caixa, sacos plásticos, etc.) fora do alcance das crianças (risco de asfixia ou lesões).
- Esta batedeira destina-se apenas para uso doméstico. Não utilizar no exterior.
- Não colocar o aparelho em cima ou próximo de um fogão a gás ou elétrico ligado, ou no interior de um forno pré-aquecido.
- O fabricante rejeita qualquer responsabilidade por danos ou lesões causadas pela utilização incorreta ou irresponsável do aparelho. Utilize o aparelho apenas para a finalidade prevista.
- Não deixe que as crianças brinquem com o aparelho.
- É essencial vigiar de perto quando o aparelho é utilizado por crianças ou por pessoas que não estão familiarizadas com o mesmo.
- Este eletrodoméstico não se destina a ser utilizado por pessoas (incluindo crianças) com capacidades motoras, sensoriais ou mentais reduzidas ou que não possuam experiência nem conhecimentos adequados, a não ser que estejam sob a supervisão de uma pessoa responsável pela sua segurança.
- Nunca toque no aparelho com as mãos húmidas ou molhadas. Não toque no cabo elétrico ou na ficha com as mãos molhadas.
- Não utilize quaisquer acessórios que não tenham sido recomendados pelo fabricante do aparelho, uma vez que estes podem provocar incêndio, choque elétrico ou ferimentos.
- Mantenha o aparelho longe de quaisquer fontes de água. Lembre-se que a sua batedeira é um eletrodoméstico.
- Limpe apenas com um pano húmido.
- Coloque o controlador de velocidade (4) na posição de paragem, rode o botão ON/OFF (5) para a posição OFF e retire a ficha da tomada para desligar o aparelho por completo.

- Ao desligar a batedeira da tomada elétrica, puxe sempre pela ficha e nunca pelo cabo elétrico.
- Assegure-se de que o cabo elétrico não fica apoiado na esquina da mesa ou da bancada, ou que não entra em contacto com superfícies quentes, incluindo o fogão.
- Retire a ficha da batedeira da tomada quando não estiver a utilizá-la, quando estiver a aplicar ou remover acessórios e quando pretende limpá-la.
- Nunca coloque eletrodomésticos em funcionamento, se o cabo elétrico ou a ficha estiverem danificados, se deixar de funcionar em boas condições ou se deixar cair ou danificar o aparelho de alguma forma. Nesse caso, mande verificar, reparar ou retificar o aparelho no seu agente mais próximo.
- Nunca tente substituir o cabo elétrico do aparelho, uma vez que tal operação requer ferramentas especiais. Assegure-se sempre de que as reparações ou a substituição do cabo elétrico são realizadas por um agente autorizado pelo fabricante, de modo a garantir a sua segurança.
- Não mergulhe o cabo elétrico, a batedeira ou a ficha em água ou outros líquidos, pois isso poderá causar incêndio, choque elétrico ou ferimentos.
- **ATENÇÃO!** Para evitar o risco de o aparelho disparar a função de paragem de segurança, nunca deverá ser alimentado por um dispositivo externo, tal como um temporizador, ou ligado a um circuito de corrente que seja regularmente ligado ou desligado pela empresa fornecedora de energia.
- Durante a limpeza, o aparelho não deve estar ligado à alimentação.
- Mantenha as mãos, o cabelo, a roupa, bem como espátulas e outros utensílios, longe dos batedores durante o funcionamento, para reduzir o risco de lesão nas pessoas e/ou de danos na batedeira.
- Mantenha a roupa, joias, os dedos, o cabelo e outros utensílios longe das peças rotativas para evitar lesões graves nas pessoas e danos no aparelho.
- Utilize o resguardo anti-salpicos com orifício de enchimento (11) fornecido quando estiver a misturar líquidos, ou reduza a quantidade de modo a evitar os salpicos.
- Assegure-se de que o controlador de velocidade (4) está na posição de paragem, que o botão ON/OFF (5) está em OFF e que a ficha foi removida da tomada antes de limpar ou arrumar o aparelho.
- Nunca deixe o aparelho em funcionamento sem supervisão.
- A classificação máxima é baseada no batedor de gancho que utiliza a maior carga (energia ou corrente) e no facto de os restantes acessórios recomendados requererem menos energia ou corrente.

- Não utilizar no exterior.
- Remova os batedores da batedeira antes de lavar.

MONTAGEM

- Coloque sempre a batedeira numa superfície estável e horizontal. Essa superfície não deve estar quente nem próxima de uma fonte de calor. A superfície deve estar seca. Mantenha o aparelho e o cabo elétrico fora do alcance das crianças.
- Verifique se a voltagem indicada na chapa de identificação do aparelho corresponde à voltagem de fornecimento de energia na sua região. Ligue o aparelho apenas a uma tomada adequada, com uma saída de potência de pelo menos 6A e uma voltagem de 220–240V~ 50/60Hz (EUROPA) ou 120V~ 60Hz (EUA).
(Consulte um electricista no caso de utilizar um dispositivo de corrente residual (RCD).) A tomada deve estar facilmente acessível em caso de emergência, enquanto o aparelho estiver em funcionamento. O fabricante não assumirá qualquer responsabilidade por acidentes provocados por ligações á terra defeituosas ou inadequadas.
- Se a sua tomada não for a indicada para a ficha do aparelho, mande-a substituir por um electricista qualificado.

GUARDA ESTAS INSTRUÇÕES

Encontram-se disponíveis acessórios individuais da BODUM para esta batedeira, na nossa página web ou nas nossas lojas. Para informações detalhadas sobre a montagem e a aplicação, consulte o boletim informativo do acessório.

LISTA DE PEÇAS BATEDEIRA

- 1 Braço misturador
- 2 Tigela
- 3 Abertura para a aplicação de acessórios
- 4 Controlador de velocidade
- 5 Botão ON/OFF (LIGAR/DESLIGAR)
- 6 Alavanca para soltar o braço misturador
- 7 Base
- 8 Batedor acessório (1 unidade)
- 9 Batedor de gancho acessório (1 unidade)
- 10 Misturador acessório (1 unidade)
- 11 Resguardo anti-salpicos com orifício de enchimento

INFORMAÇÕES ESPECIAIS

CABO ELÉTRICO

- Poderá utilizar uma extensão, desde que sejam tomadas todas as precauções devidas.
- Se utilizar uma extensão, a classificação da mesma deverá ser equivalente ou superior à do aparelho. Se o aparelho tiver ligação terra, a extensão deve ser um cabo de circuito triplo com ligação à terra. A extensão não deve ficar apoiada na esquina da mesa ou da bancada, deve ficar fora do alcance das crianças e de modo a evitar que alguém tropece no mesmo.

BATEDEIRA ANTES DA UTILIZAÇÃO

Limpe a batedeira antes de a usar pela primeira vez. Consulte o capítulo «MANUTENÇÃO E CUIDADOS».

UTILIZAR OS ACESSÓRIOS

A sua batedeira vem com os seguintes três acessórios: batedor (8), batedor de gancho (9) e misturador (10).

BATEDOR (8)

O batedor adequa-se para tarefas simples como bater massa para bolos e bolachas, gelados, recheios, biscoitos, pastéis, massa de pão doce e puré de batata.

BATEDOR DE GANCHO (9)

O batedor de gancho destina-se sobretudo a misturar e amassar massa de pão, com fermento e para pizza.

MISTURADOR (10)

O misturador serve para misturar e bater ovos, creme, massa fina, massa levedada sem gordura, merengue, cheesecake, mousse e soufflés.

DEFINIÇÕES DE VELOCIDADE

A batedeira dispõe de 7 posições de velocidade. Tenha em atenção que cada processo de mistura deve começar pela velocidade mais baixa antes de aumentar a mesma para o nível indicado, conforme se descreve a seguir.

POSIÇÃO DE PARAGEM

O aparelho está desligado nesta posição. Coloque sempre a velocidade na posição de paragem, rode o botão ON/OFF (5) para a posição OFF e remova a ficha da tomada para limpar e armazenar o aparelho.

POSIÇÃO 1

A posição 1 é indicada para misturar farinha com líquidos e para adicionar ingredientes secos. Esta velocidade não deve ser utilizada para tipos de massa pesados.

POSIÇÃO 2

A posição 2 serve para mexer rapidamente, para misturar e amassar massa com fermento e outros tipos de massa pesados.

POSIÇÃO 3-4

Estas posições são indicadas para misturar tipos de massa médios-pesados.

POSIÇÃO 5

Esta posição adequa-se para misturar ou bater.

POSIÇÃO 6

A posição 6 serve para bater creme, a branca dos ovos e gelados. Deverá utilizar o resguardo anti-salpicos com orifício de enchimento (11), pelo menos, nesta posição. Aplique o resguardo anti-salpicos com orifício de enchimento conforme se descreve no capítulo: «COMO UTILIZAR A SUA BATEDEIRA».

POSIÇÃO «MAX»

A posição «Max» é indicada para bater pequenas quantidades de creme ou branca de ovos.

COMO UTILIZAR A SUA BATEDEIRA

FIGURA A

- Antes de instalar os acessórios de mistura (8, 9, 10), o resguardo anti-salpicos com abertura de enchimento (11) ou a tigela (2), assegure-se de que o controlador de velocidade (4) está na posição de paragem, que o botão ON/OFF (5) está na posição OFF e a ficha foi removida da tomada.
- Pressione a alavanca do braço misturador (6) para baixo, ao mesmo tempo que levanta o braço misturador, até ouvir um clique e estiver na posição de aberto.

FIGURA B

- Pressione o resguardo anti-salpicos com abertura de enchimento (11) para cima do braço misturador (1), tanto quanto possível, prenda-o, rodando-o suavemente na direção dos ponteiros do relógio. Esta baioneta prende o resguardo anti-salpicos com abertura de enchimento (11) firmemente à batedeira.

FIGURA C

- Insira o acessório (8, 9, 10) na abertura (3), tanto quanto possível, e depois rode-o na direção dos ponteiros do relógio.

FIGURA D

- Coloque a tigela (2) na base (7), pressione-a para baixo e prenda-a rodando na direção dos ponteiros do relógio.
- Pressione a alavanca para soltar o braço misturador (6) e baixe lentamente o braço misturador (11).
- A batedeira pode ser utilizada assim que a ficha estiver ligada à tomada e o botão ON/OFF (5) estiver na posição ON.

REMOVER OS ACESSÓRIOS INDIVIDUAIS

- Antes de remover os acessórios de mistura (8, 9, 10), o resguardo anti-salpicos com abertura de enchimento (11) ou a tigela (2), assegure-se de que o controlador de velocidade (4) está na posição de paragem, que o botão ON/OFF (5) está na posição OFF e a ficha foi removida da tomada.
- Para remover a tigela (2), deve primeiro premir a alavanca para libertar o braço misturador (6), levantar o braço misturador (1) e soltar a tigela (2) da batedeira, rodando-a na direção contrária à dos ponteiros do relógio.
- Para remover um acessório de mistura (8), deve primeiro premir a alavanca para libertar o braço misturador (6), levantar o braço misturador (1) e soltar a tigela (8) da batedeira, rodando-a na direção contrária à dos ponteiros do relógio.
- Para remover o resguardo anti-salpicos com abertura de enchimento (11), deve primeiro premir a alavanca para libertar o braço misturador (6), levantar o braço misturador (1) e soltar o resguardo anti-salpicos da tigela com abertura de enchimento (11) da batedeira, rodando-a na direção contrária à dos ponteiros do relógio.

COMO UTILIZAR O RESGUARDO ANTI-SALPICOS COM ABERTURA DE ENCHIMENTO

- Depois de colocar o resguardo anti-salpicos com abertura de enchimento (11), conforme descrito em «COMO UTILIZAR A SUA BATEDEIRA», este irá proteger as superfícies de trabalho e a batedeira contra os salpicos. Pode ainda utilizar a abertura de enchimento para adicionar ingredientes à tigela (2).

LIGAR À ALIMENTAÇÃO

- Os acessórios de mistura (8, 9, 10) devem sempre ser montados antes de ligar a batedeira à alimentação.
- Antes de ligar a batedeira à alimentação, assegure-se de

que o controlador de velocidade (4) está na posição de paragem e que o botão ON/OFF (5) está desligado.

- Antes de colocar a batedeira em funcionamento, o braço misturador (1) deve estar fechado e deve ter feito um clique a indicar que está na posição certa. A batedeira tem uma função de segurança que garante que esta não arranca enquanto o braço misturador estiver levantado.

MISTURAR

- **IMPORTANTE.** Deve desligar a batedeira durante um período de 10 minutos depois de 5 minutos de utilização permanente, de modo a evitar o sobreaquecimento do motor. Para o processamento de massa dura ou para pizza, não utilize mais do que 1 kg de farinha. Esta operação não deverá demorar mais do que 5 minutos.
- Baixe o acessório de mistura (8,9,10) até aos ingredientes, dentro da tigela (2), e coloque o braço misturador (6) no local certo. De seguida, utilize o controlador de velocidade (4) para selecionar a velocidade desejada. Consulte o capítulo «DEFINIÇÕES DE VELOCIDADE».
- Utilize o resguardo anti-salpicos (11) para evitar salpicos.
- Assim que tiver acabado de misturar, coloque o controlador de velocidade (4) na posição de paragem, rode o botão ON/OFF para a posição OFF e remova a ficha da tomada.

REMOVER ACESSÓRIOS DE MISTURA

- Assegure-se de que o controlador de velocidade (4) está na posição de paragem, que o botão ON/OFF (5) está na posição OFF e que a ficha foi removida da tomada.
- É crucial que os acessórios de mistura tenham parado completamente de girar. Remova o acessório de mistura (8,9,10) da abertura (3), rodando-o na direção contrária à dos ponteiros do relógio.

MANUTENÇÃO E ASSISTÊNCIA

- Antes de limpar, coloque o controlador de velocidade (4) na posição de paragem, rode o botão ON/OFF para a posição OFF e remova a ficha da tomada.
- Nunca utilize detergente em pó.
- Qualquer outro tipo de assistência deverá ser realizado por um representante de um agente autorizado.

LIMPAR OS ACESSÓRIOS DE MISTURA

- Os restos dos ingredientes podem ser removidos dos acessórios de mistura (8, 9, 10) com uma espátula de borracha ou de plástico.
- Os acessórios de mistura (8, 9, 10), o resguardo anti-salpicos (11) e a tigela (2) podem ser lavados à mão ou na máquina.

LIMPAR A CAIXA

- Toda a caixa da batedeira apenas pode ser limpa com um pano húmido.
- Nunca mergulhe a batedeira, a ficha ou o cabo elétrico em água. Não se esqueça que se trata de um eletrodoméstico.

COMO GUARDAR

- Remova sempre os acessórios de mistura (8, 9, 10) quando não estiver a utilizar a batedeira.
- O braço misturador (11) deve estar sempre para baixo quando a batedeira estiver arrumada.
- Desligue sempre a batedeira da tomada quando não estiver a utilizá-la.

ESPECIFICAÇÕES TÉCNICAS

Tensão nominal EUROPA	220–240V~ 50/60Hz
Tensão nominal EUA	120V~ 60Hz
Potência nominal EUROPA	700 W
Potência nominal EUA	700 W
Capacidade	4,7 litros / 160 oz
Comprimento do cabo elétrico	aprox. 100 cm / 39 polegadas
Certificações	GS, CE, ETL, CETL

ASSISTÊNCIA E CONDIÇÕES DE GARANTIA

Todos os produtos BODUM® são fabricados com materiais resistentes, da mais alta qualidade. No entanto, se em qualquer altura precisar de substituir uma peça, contacte o seu revendedor da BODUM®, uma loja da BODUM®, o representante da BODUM® no seu país, ou visite-nos em: www.bodum.com.

Garantia. A BODUM® oferece uma garantia de 2 anos para a batedeira «BISTRO», a contar da data da aquisição, relativamente a quaisquer defeitos materiais ou avarias provocadas por erros de design ou de fabrico. A reparação será gratuita, caso se verifiquem todas as condições da garantia. Não haverá lugar à restituição do preço de aquisição.

Condições da garantia. O certificado de garantia deve ser preenchido pelo vendedor na altura da compra. A BODUM® não cobrirá danos resultantes de situações de uso inadequado, manuseamento impróprio, desgaste normal, manutenção e cuidados inadequados ou incorretos, funcionamento incorreto ou uso do aparelho por pessoas não autorizadas.

Tervetuloa BODUM® -laitteen käyttäjäksi

Onneksi olkoon! Olet nyt BODUM®-yhtiön valmistaman BISTRO-yleiskoneen ylpeä omistaja. Ole hyvä ja lue nämä ohjeet huolellisesti ennen kuin ryhdyt käyttämään laitetta.

TÄRKEITÄ VAROTOIMIA

- Ole hyvä ja lue kaikki ohjeet perusteellisesti ennen laitteen ensikäyttöä. Ohjeiden ja turvallisuustietojen laiminlyönti voi johtaa vaaratilanteisiin.
- Purettuasi laitteen sen pakkauksesta, tarkasta, onko se ehjä. Älä käytä sitä, jos tunnet epävarmuutta. Ota yhteys jälleenmyyjään.
- Pidä pakkausmateriaali (pahvi, muovipussit, jne.) lasten ulottumattomissa (niihin liittyy tukehtumis- tai tapaturmavaara).
- Tämä yleiskone on tarkoitettu vain kotitalouskäyttöön. Älä käytä sitä ulkona.
- Älä sijoita laitetta päälle kytketyn kaasu- tai sähkölieden päälle tai lähelle. Älä myöskään sijoita sitä esilämmitettyyn uuniin.
- Valmistaja ei ole korvausvelvollinen virheellisen käytön aiheuttamista vahingoista tai vammoista. Käytä laitetta vain siihen tarkoitukseen, johon se on suunniteltu.
- Älä anna lasten leikkiä laitteella.
- Huolellinen valvonta on välttämätöntä, jos laite annetaan lasten tai sen käyttöön tottumattomien henkilöiden käytettäväksi.
- Tätä laitetta eivät saa käyttää sellaiset henkilöt (lapset mukaan luettuina), joiden fyysiset, aistinvaraiset tai älylliset toiminnot ovat alentuneet tai joilta puuttuu kokemus ja tieto. Laitteen käyttö on heille sallittua valvottuna tai kun he ovat saaneet opastusta henkilöltä, joka on vastuussa heidän turvallisuudestaan.
- Älä koske laitteeseen kosteilla tai märillä käsillä. Älä myöskään kosketa virtajohtoa tai pistotulppaa märillä käsillä.
- Älä käytä mitään sellaisia oheislaitteita, joita tämän kotitalouslaitteen valmistaja ei suosittele. Ei-suositeltujen oheislaitteiden käyttö voi aiheuttaa tulipalon, sähköiskun tai vamman.
- Laite on pidettävä loitolla veden lähteistä. Pidä mielessäsi, että tämä yleiskone on sähkötoiminen kodinkone.
- Älä käytä muuta kuin kosteaa liinaa sen puhdistamiseen.
- Aseta laitteen nopeudensäädin (4) STOP-pysäytysasentoon,

- paina ON/OFF-virtakytkin (5) OFF-asentoon ja irrota laitteen pistoke pistorasiasta, jotta laite on täysin pois päältä.
- Tartu pistokkeeseen eikä virtajohtoon irrottaessasi yleiskoneen virtalähteestä.
 - Varmista, että virtajohto ei roiku pöydän tai työtason reunan yli ja että se ei ole kosketuksessa kuumien pintojen, mm. lieden, kanssa.
 - Irrota yleiskoneen pistoke virransyötö, kun laite ei ole käytössä, kytkeässasi tai poistaessasi oheislaitteita ja ennen kuin ryhdyt puhdistamaan sitä.
 - Älä koskaan käynnistä sähkötoimista laitetta, jos sen virtajohto tai pistoke on rikkoutunut, jos on ilmennyt toimintahäiriöitä tai jos laite on päässyt putoamaan tai jos se on jollakin lailla vahingoittunut. Näissä tapauksissa laite on vietävä tarkastettavaksi tai korjattavaksi lähimpään huoltoliikkeeseen.
 - Älä koskaan yritä vaihtaa laitteen virtajohtoa, sillä se edellyttää erikoistyökalujen käyttöä. Varmista kaikissa tapauksissa, että laitteen korjaus tai sen virtajohdon vaihto tehdään valmistajan valtuuttamassa huoltoliikkeessä, jolloin laitteen käyttöturvallisuus tulee varmistetuksi.
 - Laitteen virtajohtoa, sen pistoketta tai itse yleiskonetta ei saa upottaa veteen tai muihin nesteisiin, koska siitä voi aiheutua tulipalo, sähköisku tai vamma.
 - **VAROITUS!** Välttääksesi tilanteen, jossa laite ohittaa turvakatkaisutoiminnan, älä koskaan kytke laitetta siten, että virransyötö laitteeseen tapahtuu ulkoisen kytkimen, esim. aikakatkaisijan toimesta tai sellaisen virtapiirin kautta, jossa virta on päällä ja pois päältä sähköyhtiön asettamina kellonaikoina.
 - Laite ei saa olla kytkettynä verkkovirtaan puhdistuksen aikana.
 - Pidä kätesi, hiuksesi, vaatteesi sekä lastat ja muut työvälineet pois vatkaimista käytön aikana välttyäksesi henkilö- ja laitevahingoilta.
 - Pidä vaatteesi, korusi, sormesi, hiuksesi ja työvälineet pois pyörivistä osista käytön aikana välttyäksesi henkilö- ja laitevahingoilta.
 - Käytä laitetoimitukseen sisältyvää täyttöaukollista roiske-suojaa (11) roiskeiden välttämiseksi sekoittaessasi nesteitä tai vähentäessäsi laitteen kulhon sisältöä.
 - Varmista, että nopeudensäädin (4) on STOP-asennossa, että ON/OFF-virtakytkin (5) on OFF-asennossa ja että pistoke on irrotettu pistorasiasta ennen laitteen puhdistamista tai siirtämistä säilytykseen.
 - Älä koskaan jätä laitetta käyntiin ilman, että joku valvoisi sitä.
 - Laitteen enimmäismitoitustiedot perustuvat taikinakuukuun, joka kuluttaa eniten virtaa. Muut suosituksen mukaiset lisälaitteet saattavat kuluttaa merkittävästi vähemmän virtaa.

- Laitetta ei saa käyttää ulkona.
- Poista vatkaimet laitteesta ennen kuin ryhdyt pesemään niitä.

ASENNUS

- Yleiskone kuuluu asettaa vakaalle ja vaakatasossa olevalle pinnalle. Pinta ei saa olla kuuma ja sen lähellä ei saa olla lämmön lähteitä. Pinnan tulee olla kuiva. Pidä laite ja sen virtajohto pois lasten ulottuvilta.
- Tarkista, että laitteen mitoitusarvotarraan merkitty jännite on sama kuin käyttöpaikan syöttöjännite. Laitetta verkkovirtaan kytkettäessä on varmistettava, että pistorasian lähtömitoitus on vähintään 6A ja jännite 220–240V~50/60 Hz (Eurooppa) tai 120V~60 Hz (Yhdysvallat). (Ota yhteys sähköasentajaan, jos käytät jäännösvirtalaitetta (akronyymi: RCD)). Pistorasian täytyy olla helposti tavoitettavissa mahdollisen hätätilanteen varalta laitteen ollessa toiminnassa. Valmistaja ei ole korvausvelvollinen sellaisissa onnettomuustapauksissa, jotka ovat aiheutuneet laitteen virheellisestä tai riittämättömästä maadoituksesta.
- Pyydä sähköasentajaa asentamaan laitteelle sopiva pistorasia, mikäli olemassa oleva pistorasia on vääränlainen.

SÄILYTÄ NÄMÄ OHJEET

YLEISKONEEN OSALUETTELO

BODUM-yhtiön sivustolta tai BODUM-liikkeistä on erikseen tilattavissa tätä yleiskonetta varten valmistettuja lisälaitteita. Yksityiskohtaiset asennus- ja käyttöohjeet löytyvät lisälaitteen mukana tulleesta vihkosesta.

- 1 Sekoitusvarsi
- 2 Kulho
- 3 Aukko sekoituslisälaitteiden kiinnittämistä varten
- 4 Nopeudensäädin
- 5 ON/OFF-virtakytkin
- 6 Sekoitusvarren vapautusvipu
- 7 Jalusta
- 8 Vatkainosa (1 kpl)
- 9 Taikinakoukku (1 kpl)
- 10 Vispiläosa (1 kpl)
- 11 Roiskesuoja, jossa täyttöaukko

ERITYISTIETOA

VIRTAJOHTO

- Jatkojohtoa saa käyttää, mikäli noudatetaan kaikkia asianmukaisia varotoimia.
- Jos käytät jatkojohtoa, huolehdi siitä, että jatkojohdon nimellimitoitukset ovat yhtä suuret kuin tai ylittävät laitteen mitoitukset. Jos laite maadoitetaan, jatkojohdon on oltava kolmijohtiminen maadoitettu johto. Jatkojohto ei saa riippua pöydän tai työtason reunan yli, lapset eivät saa päästä siihen käsiksi ja se on sijoitettava siten, että siihen ei kukaan kompastu.

YLEISKONE ENNEN KÄYTTÖÄ

Yleiskone on puhdistettava ennen ensikäyttöä. Katso ohjeet luvusta «KONEEN YLLÄPITO».

LISÄLAITTEIDEN KÄYTTÖ

Yleiskoneen toimitukseen sisältyy seuraavat kolme lisälaitetta: vatkain (8), taikinakoukku (9) ja vispilä (10).

VATKAIN (8)

Vatkain soveltuu normaaleihin sekoittamistehtäviin, esim. valmistettaessa kakkuja, keksejä, kuorrutusta, täytteitä, tuulihattuja, leivonnaisia, makeaa taikinaa ja perunamuussia.

TAIKINAKOUKKU (9)

Taikinakoukku soveltuu erityisesti leipätaikinan, hiivataikinan ja pitsataikinan sekoittamiseen ja alustamiseen.

VISPILÄ (10)

Vispilä soveltuu munien, kerman, ohuttaikinan, rasvattoman sokerikakun, marengin, juustokakun, moussen ja kohokkaan vispilöintiin ja sekoittamiseen.

NOPEUSASETUKSET

Yleiskoneessa on 7 nopeusasetusta. Huomioi, että kunkin sekoituskerran tulee käynnistyä hitaimmalla nopeudella, jonka jälkeen nopeutta lisätään suositeltavalle tasolle alla kuvatulla tavalla.

STOP-PYSÄYTYSASENTO

Laite sammutetaan kiertämällä säädin tähän asentoon. Aseta nopeus STOP-asentoon, paina ON/OFF-virtakytkin (5) OFF-asentoon ja irrota laitteen virtajohdon pistoke pistorasiasta ennen kuin ryhdyt puhdistamaan laitetta tai ennen kuin siirrät sen säilytystilaan.

ASENTO 1

Asento 1 on tarkoitettu käytettäväksi sekoitettaessa jauhoja nesteeseen ja lisättäessä kuivia ainesosia. Tätä nopeutta ei saa käyttää alustettaessa raskaita taikinoita.

ASENTO 2

Asento 2 on tarkoitettu nopeaan hämmentämiseen ja sekoittamiseen sekä hiivataikinan ja muiden raskaiden taikinoiden alustamiseen.

ASENNOT 3-4

Nämä asennot on tarkoitettu keskiraskaiden taikinoiden sekoittamiseen.

ASENTO 5

Tämä asento on tarkoitettu hämmentämiseen ja vatkaamiseen.

ASENTO 6

Asento 6 on tarkoitettu kerman, munanvalkuaisten ja kuorutuksen vispilöintiin. Käytä täyttöaukollista roiskesuojaa (11) viimeistään tässä käyttöasennossa. Kiinnitä täyttöaukollinen roiskesuoja noudattaen kuvausta luvussa: «YLEISKONEEN KÄYTTÖ».

ASENTO «MAX»

Asento «Max» on tarkoitettu tapauksiin, joissa tarkoitus on vispilöidä pieniä määriä kermaa tai munanvalkuaista.

YLEISKONEEN KÄYTTÖ

KUVA A

- Ennen kuin liität sekoituslisälaitteita (8, 9, 10), täyttöaukollista roiskesuojaa (11) tai kulhoa (2), varmista, että nopeudensäädin (4) on STOP-asennossa, että ON/OFF-virtakytkin (5) on OFF-asennossa ja että laitteen virtajohdon pistoke on irrotettu pistorasiasta.
- Paina sekoitusvarren vapautusvipua (6) samalla kun kohotat sekoitusvartta, kunnes se napsahtaa auki-asentoon.

KUVA B

- Paina täyttöaukollinen roiskesuoja (11) sekoitusvarteen (1) perille asti ja lukitse se kiertämällä sitä kevyesti myötäpäivään. Tämä pistinkiinnitysratkaisu kytkee täyttöaukollisen roiskesuojan (11) tukevasti yleiskoneeseen.

KUVA C

- Työnnä sekoituslaite (8, 9, 10) aukkoon (3) niin syväälle kuin se menee ja kierrä sitä sitten myötäpäivään.

KUVA D

- Aseta kulho (2) jalustalle (7), paina sitä ja lukitse se paikalleen kiertämällä sitä myötäpäivään.
- Paina sekoitusvarren vapautusvipua (6) ja laske sekoitusvarsi (11) alas hitaasti.
- Yleiskone on käyttövalmis sen jälkeen, kun pistoke on työnnetty pistorasiaan ja ON/OFF-virtakytkin (5) on ON-asennossa.

YKSITTÄISTEN LISÄLAITTEIDEN IRROTTAMINEN

- Ennen kuin poistat sekoituslisälaitteita (8, 9, 10), täyttöaukollista roiskesuojaa (11) tai kulhoa (2), varmista, että nopeudensäädin (4) on STOP-asennossa, että ON/OFF-virtakytkin (5) on OFF-asennossa ja että laitteen virtajohdon pistoke on irrotettu pistorasiasta.
- Ennen kuin voit poistaa kulhon (2), sinun on painettava sekoitusvarren vapautusvipua (6), kohotettava sekoitusvartta (1) ja vapautettava kulho (2) yleiskoneesta kiertämällä sitä vastapäivään.
- Poistaaksesi sekoituslisälaitteen (8, 9, 10), sinun on ensin painettava sekoitusvarren vapautusvipua (6), kohotettava sekoitusvartta (1) ja vapautettava sekoituslisälaitte (8, 9, 10) yleiskoneesta kiertämällä sitä vastapäivään.
- Poistaaksesi täyttöaukollisen roiskesuojan (11), sinun on ensin painettava sekoitusvarren vapautusvipua (6), kohotettava sekoitusvartta (1) ja vapautettava täyttöaukollinen roiskesuojaja (11) yleiskoneesta kiertämällä sitä vastapäivään.

TÄYTTÖAUKOLLISEN ROISKESUOJAN KÄYTTÖ

- Kiinnitettyäsi täyttöaukollisen roiskesuojan (11) kuten luvussa «YLEISKONEEN KÄYTTÖ» on kuvattu, se suojaa työtasoa ja itse yleiskonetta roiskeilta. Täyttöaukon kautta voit lisätä ainesosia kulhoon (2).

VIRRANSYÖTÖN KYTKEMINEN

- Sekoituslisälaitteet (8, 9, 10) täytyy aina sovittaa paikoilleen ennen yleiskoneen virransyötön kytkemistä.
- Ennen kuin kytket virran yleiskoneeseen, varmista, että laitteen nopeudensäädin (4) on STOP-asennossa ja että ON/OFF-virtakytkin (5) on OFF-pois päältä -asennossa.
- Ennen kuin ryhdyt käyttämään yleiskonetta, on sen sekoitusvarren (1) oltava suljettuna ja napsautettuna paikalleen. Yleiskoneessa on turvaominaisuus, joka takaa, että se ei voi käynnistyä, mikäli sekoitusvarsi on koholla.

SEKOITTAMINEN

- TÄRKEÄÄ. Yleiskone täytyy sammuttaa 5 käyttöminuutin jälkeen 10 minuutin ajaksi, jotta moottori ei pääsisi ylikuumenemaan.
Älä käytä enempää kuin 1 kilo jauhoja valmistaaksesi jyykkää leipätaikinaa tai pizzataikinaa. Siihen ei saisi kulu 5 minuuttia kauemmin aikaa.
- Laske sekoituslisälaite (8,9,10) kulhossa (2) olevien ainesosien joukkoon ja napsauta sekoitusvarsi (6) paikalleen. Valitse seuraavaksi haluamasi nopeus nopeudensäätimellä (4). Tutustu lukuun "NOPEUSASETUKSET".
- Käytä roiskesuojaa (11) estääksesi roiskeet.
- Kun olet saanut sekoitusvaiheen suoritettua, aseta nopeudensäädin (4) STOP-asentoon, paina ON/OFF-virtakytkin OFF-asentoon ja irrota pistoke pistorasiasta.

SEKOITUSLISÄLAITTEIDEN IRROTTAMINEN

- Varmista, että nopeudensäädin (4) on STOP-asennossa, että ON/OFF-virtakytkin (5) on OFF-asennossa ja että laitteen virtajohdon pistoke on poistettu pistorasiasta.
- On välttämätöntä, että sekoituslisälaitteen liike on pysähtynyt. Irrota sekoituslisälaite (8,9,10) sen kytkentäaukosta (3) kiertämällä sitä vastapäivään.

YLLÄPITO

- Ennen kuin ryhdyt puhdistamaan yleiskonetta, aseta nopeudensäädin (4) STOP-asentoon, paina ON/OFF-virtakytkin (5) OFF-asentoon ja poista virtajohdon pistoke pistorasiasta.
- Älä koskaan käytä jauhemaista hankausainetta.
- Kaikki muut huoltotoimet on teetettävä valtuutetussa huoltoliikkeessä.

SEKOITUSLISÄLAITTEIDEN PUHDISTAMINEN

- Ylimääräiset ainesosat voidaan poistaa sekoituslisälaitteista (8, 9, 10) kumisella tai muovisella kaapimella.
- Sekoituslisälaitteet (8, 9, 10), roiskesuoja (11) ja kulho (2) voidaan pestä käsin tai astianpesukoneessa.

KOTELOINNIN PUHDISTAMINEN

- Yleiskoneen koteloinnin puhdistamisessa saa käyttää ainoastaan kosteaa liinaa.

- Älä koskaan upota yleiskonetta, sen verkkojohdon pistotulppaa tai sen verkkojohtoa veteen. Pidä mielessäsi, että se on sähkötoiminen kodinkone.

SÄILYTYS

- Irrota sekoituslisälaitteet (8, 9, 10) yleiskoneesta aina, kun se ei ole käytössä.
- Sekoitusvarren (11) on aina oltava alas laskettuna, kun yleiskone on säilytystilassa.
- Irrota yleiskone aina verkkovirrasta, kun se ei ole käytössä.

TEKNISET TIEDOT

Nimellisjännite Eurooppa	220–240V~ 50/60 Hz
Nimellisjännite USA	120V~ 60 Hz
Nimellisteho Eurooppa	700 W
Nimellisteho USA	700 W
Vetoisuus	4,7 litraa / 160 unssia
Virtajohdon pituus	n. 100 cm
Sertifioinnit	GS, CE, ETL, CETL

HUOLTO- JA TAKUUEHDOT

Kaikki BODUM® tuotteet on valmistettu korkealaatuisista ja kestävästä materiaaleista. Mikäli kuitenkin jokin yksittäinen osa on vaihdettava, ole yhteydessä BODUM®-jälleenmyyjään, BODUM®-liikkeeseen, BODUM®-edustajaan tai vieraile sivustollamme: www.bodum.com.

Takuu. BODUM® myöntää BISTRO-yleiskoneelle 2 vuoden takuun ostopäivästä alkaen kattaa kaikki suunnittelusta tai valmistusvirheistä johtuvat materiaali- ja puutteet ja toimintahäiriöt. Korjaus tehdään veloituksetta edellyttäen, että kaikki takuuehdot täyttyvät. Ostohintaa ei kuitenkaan palauteta.

Takuuehdot. Myyjän on täytettävä takuutodistus myyntihetkellä. BODUM®-yhtiön myöntämä takuu ei korvaa vahinkoja, jotka johtuvat tähän kodinkoneeseen kohdistuneesta käyttövirheestä, virheellisestä käsittelystä, sen tavanomaisesta kulumisesta, riittämättömästä tai virheellisestä ylläpidosta tai asiattomien henkilöiden toimesta tapahtuneesta virheellisestä käytöstä.

Вас приветствует BODUM®

Поздравляем! Вы стали счастливым обладателем стационарного миксера BISTRO от компании BODUM®. Перед использованием миксера внимательно прочтите это руководство по эксплуатации.

ВАЖНЫЕ МЕРЫ ПРЕДОСТОРОЖНОСТИ

- Перед тем, как воспользоваться миксером в первый раз, внимательно прочтите все инструкции. Несоблюдение инструкций и указаний по безопасности может привести к опасным ситуациям.
- Распаковав электроприбор, проверьте его на наличие повреждений. В случае сомнений, не используйте миксер и обратитесь к вашему дилеру.
- Храните упаковочные материалы (картон, пластиковые пакеты, и т. д.) в месте, недоступном для детей (опасность удушья или травмы).
- Данный стационарный миксер предназначен только для домашнего использования. Не используйте его на открытом воздухе.
- Не размещайте электроприбор вблизи от включенной или горячей газовой или электрической плиты или в разогретой печи.
- Производитель не несет ответственности за повреждения или травмы, вызванные неправильным или ненадлежащим использованием миксера. Используйте электроприбор только по назначению.
- Не позволяйте детям играть с электроприбором.
- Использование электроприбора детьми или лицами, незнакомыми с его работой, должно производиться под строгим наблюдением.
- Этот электроприбор не предназначен для использования лицами (включая детей) с пониженными физическими, сенсорными или умственными способностями или с недостатком опыта и знаний, за исключением случаев, когда они находятся под надзором или получили инструкции по использованию электроприбора от лица, ответственного за их безопасность.
- Не касайтесь электроприбора влажными или мокрыми руками. Не касайтесь кабеля питания или штепсельной вилки мокрыми руками.
- Не используйте принадлежности, не рекомендованные производителем электроприбора. Это может стать причиной пожара, поражения электрическим током или травмы.
- Всегда держите электроприбор вдали от источников воды. Помните, что ваш стационарный миксер является электроприбором.
- Чистите миксер только влажной тканью.

- Установите переключатель скорости (4) на останов, переключите выключатель (5) в положение ВЫКЛ и выньте вилку из розетки, чтобы полностью обесточить электроприбор.
- При отключении электропитания стационарного миксера держитесь за вилку, а не за кабель питания.
- Убедитесь, что кабель питания не свисает с края стола или столешницы и не контактирует с горячими поверхностями, включая печь.
- Вынимайте вилку из розетки при неиспользовании стационарного миксера, при установке или съеме принадлежностей или при чистке миксера.
- Никогда не включайте электроприбор, если повреждены кабель питания или вилка, после появления неисправностей или когда сам электроприбор упал или получил какое-либо повреждение. В этом случае, проверьте, отремонтируйте или отрегулируйте ваш электроприбор в ближайшем сервисном центре.
- Не пытайтесь заменить кабель питания электроприбора, так как для этого требуются специальные инструменты. Ремонтировать электроприбор или заменять кабель питания следует только в сервисном центре, авторизованном производителем, для того чтобы обеспечить безопасную работу прибора.
- Не опускайте кабель питания, стационарный миксер и штепсельную вилку в воду или другие жидкости, так как это может стать причиной пожара, поражения электрическим током или травмы.
- **ОСТОРОЖНО!** Во избежание риска блокирования системы аварийного останова, электроприбор не должен подключаться к внешнему переключающему устройству, такому как таймер, или к электрической сети, которая регулярно включается и отключается энергоснабжающей компанией.
- Во время чистки электроприбор должен быть обесточен.
- Держите руки, волосы, одежду, а также кулинарные лопатки и другие принадлежности вдали от взбывалок во время работы миксера, чтобы избежать риска травм пользователей и/или повреждения миксера.
- Держите одежду, ювелирные изделия, волосы, пальцы и кухонные принадлежности вдали от вращающихся деталей во избежание нанесения серьезных травм людям или повреждения электроприбора.
- Используйте щиток от брызг вместе с входящей в комплект воронкой (11) при смешивании жидкостей, или уменьшайте объем, чтобы избежать разбрызгивания.
- Установите переключатель скорости (4) на останов, переключите выключатель (5) в положение ВЫКЛ и выньте вилку из розетки, чтобы полностью обесточить электроприбор перед чистой или отправкой на хранение.
- Не оставляйте электроприбор во время работы без присмотра.
- Максимальный режим работы рассчитан на крючок для теста, который передает наибольшую нагрузку (по мощности или току), а другие рекомендованные

приспособления могут передавать значительно меньшую мощность или ток.

- Не пользуйтесь прибором вне помещения.
- Вынимайте взбивалки из миксера перед промывкой.

УСТАНОВКА

- Установите стационарный миксер на устойчивую, ровную поверхность. Она не должна быть горячей и находиться не должна находиться вблизи источника тепла. Поверхность должна быть сухой. Храните электроприбор и кабель питания в недоступном для детей месте.
- Проверьте, соответствует ли напряжение, указанное на заводской табличке электроприбора, напряжению сети в вашем регионе. Подключайте электроприбор только к соответствующей розетке, рассчитанной на максимальный ток не менее 6А и напряжение 220–240В~ 50/60Гц (ЕВРО) или 120В~ 60Гц (США). (Проконсультируйтесь с электриком, если используете устройство защитного отключения (RCD).) Обеспечьте легкий доступ к розетке при использовании электроприбора на случай чрезвычайных ситуаций. Производитель не несет ответственности за любые несчастные случаи, вызванные неисправным или неправильным заземлением электроприбора.
- Обратитесь к квалифицированному электрику для замены розетки, если она не подходит к вилке электроприбора.

СОХРАНИТЕ ЭТО РУКОВОДСТВО

Отдельные принадлежности BODUM имеются в продаже для данного стационарного миксера на нашем веб-сайте или в наших магазинах. Подробные инструкции по установке и эксплуатации см. в руководстве к каждой принадлежности.

СТАЦИОНАРНЫЙ МИКСЕР - СПИСОК ДЕТАЛЕЙ

- 1 Привод мешалки
- 2 Чаша
- 3 Отверстие для вставки приспособлений смешивания
- 4 Переключатель скорости
- 5 Выключатель ВКЛ/ВЫКЛ
- 6 Рычаг для расцепления привода мешалки
- 7 Основание
- 8 Взбивалка (1 штука)
- 9 Крючок для теста (1 штука)
- 10 Венчик (1 штука)
- 11 Щиток от брызг с воронкой

СПЕЦИАЛЬНАЯ ИНФОРМАЦИЯ

КАБЕЛЬ ПИТАНИЯ

- Можно использовать удлинительный кабель, если выполнены все меры предосторожности.
- При использовании удлинительного кабеля, значения номинальной мощности удлинительного кабеля должны быть равны или больше значений параметров электроприбора. Если электроприбор заземлен, то в качестве удлинителя необходимо использовать трехжильный заземленный кабель. Удлинительный кабель не должен свисать через край стола или столешницы, нельзя позволять детям тянуть за кабель, и следите за тем, чтобы об него не споткнулись проходящие.

СТАЦИОНАРНЫЙ МИКСЕР ПЕРЕД ИСПОЛЬЗОВАНИЕМ

Перед первым использованием очистите стационарный миксер. См. главу «УХОД И ОБСЛУЖИВАНИЕ».

ИСПОЛЬЗОВАНИЕ ПРИНАДЛЕЖНОСТЕЙ

Ваш стационарный миксер поставляется с тремя приспособлениями: взбивалка (8), крючок для теста (9) и венчик (10).

ВЗБИВАЛКА (8)

Взбивалка предназначена для задач обычного смешивания, например для тортов, пирожных, мороженого, начинок, эклеров, мучных кондитерских изделий, сдобного теста и картофельного пюре.

КРЮЧОК ДЛЯ ТЕСТА (9)

Крючок для теста специально предназначен для перемешивания и замешивания хлебного теста, дрожжевого теста и теста для пиццы.

ВЕНЧИК (10)

Венчик предназначен для взбивания яиц, крема, жидкого теста, обезжиренных белков, безе, чизкейка, мусса и суфле.

НАСТРОЙКИ СКОРОСТИ

Стационарный миксер имеет 7 настроек скорости. Помните, что каждый процесс смешивания должен начинаться при самой медленной скорости перед повышением скорости до рекомендованного значения, как описано ниже.

ПОЗИЦИЯ ОСТАНОВА

В этой позиции электроприбор выключается. Установите переключатель скорости на останов, переключите выключатель (5) в положение ВЫКЛ и выньте вилку из розетки, перед очисткой и отправкой прибора на хранение.

ПОЗИЦИЯ 1

Позиция 1 предназначена для смешивания муки с жидкостью и добавления сухих ингредиентов. Эту скорость нельзя использовать для взбивания густого теста.

ПОЗИЦИЯ 2

Позиция 2 предназначена для быстрого взбалтывания и для смешивания и взбивания дрожжевого теста и других видов густого теста.

ПОЗИЦИЯ 3-4

Эти позиции предназначены для смешивания теста средней густоты.

ПОЗИЦИЯ 5

Эта позиция предназначена для взбалтывания или взбивания.

ПОЗИЦИЯ 6

Позиция 6 предназначена для взбивания крема, яичных белков и мороженого. В этой позиции следует использовать щиток от брызг с воронкой (11). Крепите щиток от брызг с воронкой, как описано в главе:

«КАК ИСПОЛЬЗОВАТЬ СТАЦИОНАРНЫЙ МИКСЕР».

ПОЗИЦИЯ «МАХ»

Позиция «Мах» предназначена для взбалтывания или взбивания небольших количеств крема или яичных белков.

КАК ИСПОЛЬЗОВАТЬ СТАЦИОНАРНЫЙ МИКСЕР

РИСУНОК А

- Перед установкой приспособлений смешивания (8, 9, 10), щитка от брызг с воронкой (11) или чаши (2), убедитесь, что переключатель скорости (4) установлен на останов, выключатель (5) находится в положении ВЫКЛ и вилка вынута из розетки.
- Нажмите рычаг для расцепления привода мешалки (6) вниз, и одновременно поднимите привод мешалки, пока он не щелкнет в расцепленном положении.

РИСУНОК В

- Прижмите щиток от брызг с воронкой (11) к приводу мешалки (1) до упора и зафиксируйте на месте, повернув его осторожно по часовой стрелке. Этот затвор с защелкой прочно крепит щиток от брызг с воронкой (11) к стационарному миксеру.

РИСУНОК С

- Вставьте приспособление смешивания (8, 9, 10) в отверстие (3) до упора и затем поверните его по часовой стрелке.

РИСУНОК D

- Поставьте чашу (2) на основание (7), нажмите вниз и зафиксируйте на месте, повернув ее по часовой стрелке.
- Нажмите рычаг расцепления для привода мешалки (6) и медленно опустите привод мешалки (11).
- Стационарный миксер можно использовать, как только вилка будет вставлена в розетку, а выключатель (5) переведен в положение ВКЛ.

СНЯТИЕ ОТДЕЛЬНЫХ ПРИСПОСОБЛЕНИЙ

- Перед снятием приспособлений смешивания (8, 9, 10), щитка от брызг с воронкой (11) или чаши (2), убедитесь, что переключатель скорости (4) установлен на останов, выключатель (5) находится в положении ВЫКЛ и вилка вынута из розетки.
- Чтобы снять чашу (2), нужно сначала нажать рычаг расцепления для привода мешалки (6), поднять привод мешалки (1) и расцепить чашу (2) от стационарного миксера, повернув ее против часовой стрелки.
- Чтобы снять приспособление смешивания (8, 9, 10), нужно сначала нажать рычаг расцепления для привода мешалки (6), поднять привод мешалки (1) и расцепить приспособление смешивания (8, 9, 10) от стационарного миксера, повернув его против часовой стрелки.
- Чтобы снять щиток от брызг с воронкой (11), нужно сначала нажать рычаг расцепления для привода мешалки (6), поднять привод мешалки (1) и расцепить щиток от брызг с воронкой (11) от стационарного миксера, повернув его против часовой стрелки.

КАК ИСПОЛЬЗОВАТЬ ЩИТОК ОТ БРЫЗГ С ВОРОНКОЙ

- После крепления щитка от брызг с воронкой (11), как описано в главе «КАК ИСПОЛЬЗОВАТЬ СТАЦИОНАРНЫЙ МИКСЕР», он защитит столешницы и стационарный миксер от разбрызгивания. Можно также использовать воронку для добавления ингредиентов в чашу (2).

ПОДКЛЮЧЕНИЕ ИСТОЧНИКА ЭЛЕКТРОПИТАНИЯ

- Приспособления смешивания (8, 9, 10) следует всегда

устанавливать до подключения стационарного миксера к источнику электропитания.

- Перед подключением стационарного миксера к источнику электропитания убедитесь, что переключатель скорости (4) установлен на останов, а выключатель (5) находится в положении ВЫКЛ.
- Перед включением стационарного миксера привод мешалки (1) должен быть закрыт и зафиксирован в позиции. Стационарный миксер имеет предохранительное устройство, которое предохраняет стационарный миксер от включения, когда привод мешалки поднят.

ПЕРЕМЕШИВАНИЕ

- **ВНИМАНИЕ.** Стационарный миксер следует выключать через 5 минут непрерывной работы на 10 минут, чтобы предотвратить перегрев двигателя.
Для обработки густого хлебного теста или теста для пиццы не используйте более 1 кг муки. Режим работы не должен длиться дольше 5 минут.
- Опустите приспособление смешивания (8,9,10) в ингредиенты в чаше (2) и защелкните привод мешалки (6) по месту. Затем используйте переключатель скорости (4) для выбора нужной скорости. См. главу «НАСТРОЙКИ СКОРОСТИ».
- Используйте щиток от брызг (11), чтобы избежать разбрызгивания.
- По завершении перемешивания установите переключатель скорости (4) на останов, переключите выключатель в положение ВЫКЛ и выньте вилку из розетки питания.

СНЯТИЕ ПРИСПОСОБЛЕНИЙ СМЕШИВАНИЯ

- Установите переключатель скорости (4) на останов, переключите выключатель (5) в положение ВЫКЛ и выньте вилку из розетки.
- Подождите, пока приспособление перестанет вращаться. Выньте приспособление смешивания (8,9,10) из отверстия вставки (3), повернув его против часовой стрелки.
- Излишек ингредиентов можно удалить с приспособлений смешивания (8, 9, 10) резиновым или пластиковым скребком.
- Приспособления смешивания (8, 9, 10), щиток от брызг (11) и чашу (2) можно мыть вручную или в посудомоечной машине.

ЧИСТКА КОРПУСА

- Весь корпус стационарного миксера можно чистить только влажной тканью.
- Не погружайте стационарный миксер, вилку или кабель питания в воду. Помните, что это электроприбор.

ХРАНЕНИЕ

- Всегда снимайте приспособление смешивания (8, 9, 10), когда стационарный миксер не используется.
- Привод мешалки (11) следует всегда опускать, когда стационарный миксер отправляется на хранение.
- Всегда вынимайте вилку стационарного миксера, когда он не используется.

ТЕХНИЧЕСКИЕ СПЕЦИФИКАЦИИ

Номинальное напряжение EBPO	220–240 В~ 50/60 Гц
Номинальное напряжение для США	120 В~ 60 Гц
Номинальная мощность EBPO	700 Вт
Номинальная мощность для США	700 Вт
Емкость	4,7 литров / 160 унций
Длина кабеля питания	прибл. 100 см / 39 дюймов
Сертификаты	GS, CE, ETL, CETL

УСЛОВИЯ ЭКСПЛУАТАЦИИ И ГАРАНТИИ

Продукция BODUM® производится из высококачественных, износостойких материалов. Но если требуется заменить в любое время отдельные детали, обращайтесь к вашему дилеру BODUM®, в магазин BODUM®, к представителю BODUM® в вашей стране или посетите сайт: www.bodum.com.

Гарантия. Для стационарного миксера «BISTRO», компания BODUM® предоставляет 2-летнюю гарантию с даты покупки на все дефекты материалов или неисправности, возникшие вследствие дефектов конструкции или изготовления. При условии выполнения всех условий гарантии, ремонт будет осуществлен бесплатно. Цена покупки не возмещается.

Условия гарантии. Гарантийное свидетельство должно быть заполнено продавцом в момент приобретения. Гарантия компании BODUM® не распространяется на повреждения, вызванные нецелевым использованием, неправильной эксплуатацией, нормальным износом, ошибочным или неправильным уходом или обслуживанием, неправильным обращением или использованием электроприбора неправомочными лицами.

BODUM® SHOPS & SHOP-IN-SHOP

AUSTRALIA

SHOP-IN-SHOP

Galerie, Bondi Junction (NSW)
 Il Mondo, Townsville (QLD)
 Kitchenware-Plus, Loganholme/
 Brisbane (QLD)
 Moda Aroma, Cairns (QLD)
 Peters of Kensington (NSW)
 Your Habitat, Hobart (TAS)
 Your Habitat, Canberra (ACT)
 Your Habitat, Launceston (TAS)
 Dallimores (WA)
 Inside Out (NSW)
 Roost (VIC)
 Cucina Cucina (NSW)
 MYER (NSW)
 MYER (QLD)
 MYER (SA)
 MYER (VIC)
 David Jones (NSW)
 David Jones (QLD)

AUSTRIA

BODUM® STORE

Marc Aurel Strasse 2 b
 A-1010 Wien
 T +43 1 925 7999
 F +43 1 925 7999
 shop.wien@bodum.com

SHOP-IN-SHOP

Cusinarium, Singerstrasse 14,
 1010 Wien
 Herwig Gasser, Süssem vom
 Feinsten AG, Alberschweizergasse
 4, 1140 Wien
 Slama, Mariahilferstrasse 71, 1060
 Wien
 Redl, Taubenmarkt Arkade
 Spittelwiese 6, 4020 Linz
 Rechberger, Lastenstrasse 42,
 4021 Linz
 Schildmeier, Gärtnerstrasse 6,
 4600 Wels
 Rösler + Wagner, Schärddingerstasse
 63, 4910 Ried
 Zur Küchenfee, Linzergassen 56,
 5020 Salzburg
 Brühwasser, Stadtplatz 56, 5280
 Brunau
 Putzenbacher, Anichstrasse 14,
 6020 Innsbruck
 Ortner und Stanger, Fürstenweg
 66, 6050 Innsbruck
 Eder, Franz-Josefs Platz 2 – 4, 6332
 Kufstein
 Tschofen, Rathhausgasse 2, 6700
 Bludenz
 Frühauf, Kaiserstrasse 15, 6900
 Bregenz
 Klammerth, Herrengasse 7 – 9,
 8010 Graz
 Kastner & Öhler Sackstrasse 7 – 13,
 8021 Graz

PARTNERS

Interio Austria
 Kika
 Leiner
 Lutz

ONLINE SHOP AUSTRIA

www.bodum.com

BELGIUM

BODUM® OUTLET

Maasmechelen Village
 Shop number 96
 Zetellaan 196
 3630 Maasmechelen
 T 00 32 89 773731
 F 00 32 89 773732
 shop.maasmechelen@bodum.com

SHOP-IN-SHOP

INNO, Antwerp
 INNO, Bruxelles, rue Neuve

CANADA

SHOP-IN-SHOP

THE BAY (QUEENS STREET), 176
 Yonge Street, Toronto, ON, M5C
 2L7
 THE BAY (MONTREAL), 585 Rue
 Catherine Ouest, Montreal, QC,
 H3B 3Y5
 THE BAY (YORKDALE), 3401
 Dufferin St., Toronto, ON, M6A
 2T9
 THE BAY (BAYSHORE), 100
 Bayshore Dr., Nepean, ON, K2B 8C1
 THE BAY (SOUTHCENTER), 100
 Anderson Rd. Southeast, Calgary,
 AB, T2J 3V1
 THE BAY (SOUTHGATE), 111 St. &
 51 Ave., Edmonton, AB, T6H 4M7
 THE BAY (MISSISSAUGA), 100
 City Court Drive, Hwy10 and
 Burnhamthorpe Road West,
 Mississauga, ON, L5B 2C9
 BOUTIQUE 1101 LAURIER, 1101
 Avenue Laurier Outermont,
 Montreal, QC, H2V 2L3
 HOMEWERX, 1053 Davie Street,
 Vancouver, BC, V6E 1M5
 CALL THE KETTLE BLACK, 2294
 W. 4th Avenue, Vancouver, BC,
 V6K 1N8
 BRADSHAW'S, 129 Ontario St.,
 Stratford, ON, N5A 3H1
 JILL'S TABLE, 115 King St., London,
 ON, N6A 1C3
 POT EN CIEL, 27 Rue de Petit-
 Champlin, Quebec, QC, G1K 4H5
 VINCENT & MOORE, 825 Rue
 Saint-Laurent Ouest, #44,
 Longueuil, QC, J4K 2V1
 THE CASUAL GOURMET, 1027
 King Street West, Hamilton, ON,
 L8S 1L6
 TEA DESIRE, 1232-Barnet Highway,
 Coquitlam, BC, V3B 5R5
 LE CHEF COMPLET, 447 Brant
 Street, Burlington, ON, L7R 2G3

CHINA

SHOP-IN-SHOP

Sogo Department Store, 7/F,
 Nanjing West Rd., Shanghai
 CitySuper, IFC, B2, LG2, 8, Century
 avenue Pudong new district,
 Shanghai
 ST Plaza, B1, 22 Jianguamenwai
 Avenue, Beijing
 Shin Kong Place, 5/F, No. 87,
 Jianguo Road, Chaoyang District,
 Beijing
 Emily Coffee, No. 0158A, Zone
 C, Chaowai SOHO, 6B, Chaowai
 Daijie, Beijing
 Music Coffee, 4# New Hope Rd,
 Chengdu, Sichuan
 Wangfujing Department Store,

No.99, Qinxian North Street,
 Taiyuan
 Parkson Department Store, No.
 189, Qinxian North Street, Taiyuan
 Chicago Coffee, 36 Times Avenue,
 Think UK Apartment Complex, 88
 Jiao Ling Road, Kunming
 Charter Department Store, 6/F,
 No.1255 Chongqing road, Chang
 Chun, Jilin
 Ouya Commercial Capital, 6/F, No.
 1128, Gong Nong Da Lu, Chang
 Chun, Jilin
 Nenlu Tea Lounge, 10/F,
 Hongyadong, No.88 Jiabin Road,
 Yuzhong District, Chongqing

DENMARK

SHOP-IN-SHOP

Inspiration Illum, København K
 Inspiration Aarhus, Aarhus
 Magasin A/S Rødovre, Rødovre
 Magasin Fields, København S
 Magasin Lyngby, Lyngby
 Magasin Odense, Odense C
 Magasin Aarhus, Aarhus C
 Magasin Kgs. Nytorv, København K
 Bahne Brugskunst Fields,
 København S
 Bahne Brugskunst Fisketorvet,
 København V
 Bahne Brugskunst Rødovre,
 Rødovre
 Bahne Brugskunst Lyngby, Lyngby
 Bahne Brugskunst Roskilde,
 Roskilde
 Bahne Brugskunst Holbæk, Holbæk
 Bahne Brugskunst Horsens,
 Horsens
 Bahne Brugskunst Vejle, Vejle
 Bahne Brugskunst Aarhus C,
 Aarhus C
 Bahne Brugskunst Aalborg,
 Aalborg
 Bahne Brugskunst Esbjerg, Esbjerg

ONLINE SHOP SCANDINAVIA

www.bodum.com

ESTONIA

SHOP-IN-SHOP

Kaubamaja, Tallinna
 Kaubamaja, Tartu

FINLAND

SHOP-IN-SHOP

Stockmann Department Store
 Helsinki
 Keskustan Huoltotunneli 14
 Ruoholahti
 00100 Helsinki

FRANCE

BODUM® STORE

38, avenue de l'Opéra
 75002 Paris
 Overture Avril 2011
 T +33 1 42 33 01 68
 F +33 1 42 33 11 67
 shop.opera@bodum.com

BODUM® OUTLET

La Vallée Shopping Village
 Centre Commercial Val d'Europe
 3, cours de la Garonne
 77700 Serris
 T +33 1 64 63 26 25
 F +33 1 64 63 23 31
 shop.serris@bodum.com

BODUM® SHOPS & SHOP-IN-SHOP

SHOP-IN-SHOP

Paris
BHV, rue de Rivoli, Paris 4ème
BON MARCHE, 24, rue de Sévre,
Paris 7ème
GALERIES LAFAYETTE MAISON, 35
boulevard Haussmann, Paris 9ème
PRINTEMPS BEAUTE MAISON 64,
boulevard Haussmann, Paris 9ème
Provence
ELLEN DESFORGES, 29, rue de la
Monnaie, Lille
GALERIES LAFAYETTE, Marseille
Bourse
GALERIES LAFAYETTE, Nice Cap
3000
GALERIES LAFAYETTE, Toulouse
Capitole
PRINTEMPS, Lille
PRINTEMPS, Vélizy 2

ONLINE SHOP FRANCE

www.bodum.com

GERMANY

SHOP-IN-SHOP

KaDeWe, Berlin
Karstadt, Frankfurt Zeil
Karstadt, Dortmund
Karstadt, Stuttgart
Karstadt, München Bahnhofplatz
Karstadt Bremen
Karstadt Nürnberg
Möbel Hesse
Lorey, Frankfurt

ONLINE SHOP GERMANY

www.bodum.com

GREECE

SHOP-IN-SHOP

Notos Galleries
105 51, Athinas 48, Kotzia Square

HONG KONG

SHOP-IN-SHOP

Allure Living Central, 109B Caine
Road, Mid-Level
Citysuper Harbour City Store, Level
3, Harbour City, Tsim Sha Tsui
Franc Franc, Shop S01-03 & S08-
12, 2/F., Hang Lung Center, 2-20
Paterson St., Causeway Bay
GOD Causeway Bay, Leighton
Centre, Sharp Street East Entrance,
Causeway Bay
GOD Central, 48 Hollywood Road,
Central
GOD Tsimshatsui, Shop B02,
Basement, Silvercord, 30 Canton
Road, Tsim Sha Tsui
Gourmet, Basement, Lee Gardens,
Causeway Bay
Great Food Hall, Basement, Two
Pacific Place, Queensway
Lane Crawford (Pacific Place), 88
Queensway, Admiralty
Lane Crawford (Times Square), 1
Matheson Street, Times Square,
Causeway Bay
Lane Crawford (Tsim Sha Tsui), 3
Canton Road, Tsim Sha Tsui
Marc James Design, 16/F Horizon
Plaza, Ap Lei Chau
Sogo Hong Kong Co., Ltd., 555
Hennessy Road, Causeway Bay

Today's Living Service Centre, 1/F.,
20 Pak Sha Road, Causeway Bay
Towngas Avenue, G/F 59-65
Paterson St., Fashion Walk,
Causeway Bay
Towngas Cooking Centre,
Basement, Leighton Centre, 77
Leighton Road, Causeway Bay
Wing On (Main Store), Wing On
Centre, 211 Des Voeux Road
Central, Sheung Wan
Wing On (Taikoo Shing Store),
Cityplaza, Units 074 & 144, 18
Taikoo Shing Road, Taikoo Shing
Wing On Plus (Nathan Road), Wing
On Kowloon Center, 345 Nathan
Road, Yau Ma Tei
Yata, Phase III, New Town Plaza,
2-8 Shatin Centre Street, Shatin

INDONESIA

SHOP-IN-SHOP

Metro Pondok Indah, Jakarta
Metro Senayan, Jakarta
Metro Taman Anggrek, Jakarta
Grand Lucky, Sudirman Business
District, Jakarta
OGO Plaza Senayan, Jakarta
Debenhams Senayan City, Jakarta.
Metro bandung Supermall,
Bandung

ITALY

BODUM® STORE

Via di San Francesco a Ripa, 141
a/b
00153 Roma
T 0039 06 58 34 49 26
F 0039 06 58 97 941
shop.roma@bodum.com

BODUM® STORE

Via di Campo Marzio, 46 a/b
00186 Roma
T 0039 06 68 80 13 20
F 0039 06 68 80 13 20
shop.roma@bodum.com

SHOP-IN-SHOP

LA RINASCENTE, Milano Duomo

ONLINE SHOP ITALY

www.bodum.com

JAPAN

BODUM® OUTLET

Rinku Premium Outlet
Section 1630
3-28 Rinku Ourai Minami
Izumisano-shi
598-8508 Osaka
T +81 72 458 4688
F +81 72 458 4688
shop.rinku@bodum.com

BODUM® OUTLET

Gotemba Premium Outlet
Section 550
1312 Fukasawa, Gotemba-shi
412-0023 Shizuoka
T +81 550 81 3118
F +81 550 81 3118
shop.gotemba@bodum.com

SHOP-IN-SHOP

Illums Nihonbashi
Illums Umeda
Illums Koriyama
Illums Sapporo
Seibu Department Store Ikebukuro

ONLINE SHOP JAPAN

www.bodum.com

KOREA

Shinsegae Main, 9 F,
52-5 chungmuro Joong-Gu Seoul
Timesquare, 5F, 434-5
Youngdeungpo 4-ga
Youngdeungpo-Gu Seoul
Shinsegae Busan Centerm City,
7F, 1495 Woo-dong Haewundae-
gu Busan
Lotte Main, 7F, 1 Joong-gu
Sogong-dong Seoul
Lotte Kangnam, 7 F, 937 Daechi-
dong Kangnam-Gu Seoul
AK Plaza Bundang, 5F, 263
Seohyun-dong, Bundang-gu
Seongnam City, Kyunggi-do
Hyundai Cheonho, 10 F, 455-8
Cheonho-dong Kangdong-gu Seoul
Shinsegae Yeongdeungpo, 6F,
Building B, 434-5 Yeongdeungpo-
dong 4ga, Yeongdeungpo-gu,
Seoul
Shinsegae Incheon, 5F, 15
Gwangyo-dong, Nam-gu, Incheon

MALAYSIA

SHOP-IN-SHOP

"LIVE IT UP!" Homestore, LG306,
One Utama Shopping Centre (New
Wing)
Isetan Departmental Store, 3rd
floor Kuala Lumpur City Centre
Robinsons Departmental Store,
2nd floor
The Gardens Midvalley
Parkson Pavilion, 6th floor, Pavilion
Kuala Lumpur

NETHERLANDS

SHOP-IN-SHOP

DE BIJENKORF, Amsterdam
DE BIJENKORF, Arnhem
DE BIJENKORF, Den Haag
DE BIJENKORF, Eindhoven
DE BIJENKORF, Rotterdam
DE BIJENKORF, Utrecht

RUSSIA

SHOP-IN-SHOP

Bolshev Gostiny Dvor, St.
Petersburg
Studio Detali, Fortuna Grand,
Irkutsk
Studio Detali, Irkutsk
Dom nemetskoy posudi,
Magnitogorsk
Dom nemetskoy posudi, Gostiny
Dvor,
Magnitogorsk
Dom nemetskoy posudi, Magnit,
Chelyabinsk
Dom nemetskoy posudi, Tyumen

SINGAPORE

SHOP-IN-SHOP

Tangs, Basement 1, Orchard Road
Tangs (Vivo), Level 2, Vivo City
Takashimaya, Basement 1, Orchard
Road
Robinson Centrepoint, Level 5,
Orchard Road
Robinsons Raffles City, Level 4,
City Hall
Isetan Scotts, Level 4, Orchard
Road
Isetan Katong, Level 2, Marine
Parade Road
Isetan Nex Mall, Level 3, Serangoon

BODUM® SHOPS & SHOP-IN-SHOP

SPAIN

BODUM® OUTLET

Las Rozas Village - loc. 46
C/ Juan Ramón Jiménez, 3
28230 Las Rozas
Madrid
T +34 91 636 64 76
shop.madrid@bodum.com

SHOP-IN-SHOP

ISOLEE, Claudio Coello 55, Madrid
VINÇON, Passeig de Gràcia 96,
Barcelona
VINÇON, Castelló 18, Madrid

SWEDEN

BODUM® STORE

Helsingborg
Norra Storgatan 13-19
SE-25220 Helsingborg
T +46 42 13 80 80
shop.helsingborg@bodum.com

SWITZERLAND

BODUM® STORE

Weinmarkt 7
6004 Luzern
T +41 41 412 38 38
F +41 41 412 38 39
shop.luzern@bodum.com

BODUM® STORE

Metallicenter
Baarerstrasse 22
6300 Zug
T +41 41 711 48 79
F +41 41 711 48 80
shop.zug@bodum.com

BODUM® STORE

Limmatquai 72
8001 Zürich
T +41 44 253 17 15
F +41 44 253 17 18
shop.zurich@bodum.com

SHOP-IN-SHOP

GLOBUS: Basel, Luzern
HUBACHER AG: Rössliweg 43,
4852 Rothrist
LOEB AG: Spitalgasse 47-51,
3001 Bern
COOP CITY WARENHÄUSER:
Baden, Bern Ryfflihof, Kriens
(Pilatusmarkt), Lausanne Au
Centre, Oerlikon, Schaffhausen,
Winterthur, Zürich St. Annahof,
Bellevue, Coop
CITY PFAUEN: Freie Strasse 75,
4002 Basel
MANOR: Aarau, Ascona, Baden,
Basel, Basel, St. Jakob, Biel,
Chavannes, Chur, Emmen,
Fribourg, Genève, Lausanne,
Lugano, Luzern, Monthey,
Pfäffikon SZ, Rapperswil
SG, Schönbühl, Sierre, Sion,
Schaffhausen, Solothurn,
Spreitenbach, Vevey, Winterthur,
Zürich Bahnhofstrasse,
Zürich Letzipark

PARTNERS

Globus
Interio
Loeb AG
Pfister
E&H Services, Industriestrasse 14
4658 Däniken

FACHHANDELS-PARTNER

Westschweiz
Boutique la Ballade,
Centre commercial, Signy
BUTIK für Küche und Wohnen,
Neue Bahnhofstrasse 8,
3110 Münsingen
FMT Wohnmarkt Heimberg AG,
Blümlisalpstrasse 40,
3627 Heimberg
Kauer Trend Möbelmarkt AG,
Längfeldstrasse 20, 2504 Biel
Tekoe Tea Shop, Gare Lausanne,
Bâle, Berne
Tekoe, 1997 Haute-Nedaz
La 3eme Main, 10, rue Verdaine,
1204 Genève
MIDI4IDIM, Grand-rue 2,
1009 Pully
Rondorouge, 46, rue Ancienne,
1227 Carouge
La Papille Gourmande,
Grand Rue 16, 1530 Payerne
La Semeuse, 1, Allée des Paysans-
Horlogers 2301 La-Chaux-de-Fonds
Kaufmann Côté Ambiance, 18, rue
Neuve 2302 La-Chaux-de-Fonds

DEUTSCHSCHWEIZ

Küche & Raum, Kramgasse 6,
3011 Bern
Füglistaller AG, Freie Strasse 109,
4001 Basel
Muff Haushalt, Hauptstrasse 80
4550 Sissach
Ambiente Haushaltwaren, Vordere
Hauptgasse 104,
4800 Zofingen
Filiale Friedmattstrasse 24,
6260 Reiden
Filiale Unterer Graben 1,
6210 Sursee
Regalino, Marktgasse 28,
4900 Langenthal
L'arte del benessere, Rain 15,
5000 Aarau
Tee, Kafi und Gwürzegg, Alb.
Zwysyigstr. 88, 5430 Wettingen
Karpf & Co. Sandgasse 5,
5734 Reinach AG Filiale
Zentralstrasse 4,
5620 Bremgarten AG Filiale
Zentralstrasse 2, 5610 Wohlen AG
Grüter Süter, Hirschmattstrasse 8
6002 Luzern
Hunkeler Gastro AG, Grimselweg 5
6002 Luzern
Die Nische, Brünigstrasse 131,
6060 Sarnen
Eichholzer & Zumbrennen, Via
Veglia 3, 7500 St.Moritz
Füglistaller AG, Werdmühlestrasse 4
8001 Zürich
Küche & Haushalt,
Hottingerstrasse 37
8032 Zürich
Casa Fantastica, Airport-Shopping
8058 Zürich Flughafen
Hasler Haushalt,
Stadthausstrasse 113
8400 Winterthur
S'Leue Lädeli, Ferrachstrasse 3 - 5,
8630 Rüti
Filiale Bahnhofwiese 3,
8712 Stäfa
Filiale im Zentrum 10,
8634 Hombrechtikon
Josef, Giger, Städtchen 11,
8730 Uznach

Landolt Kaffee, Kirchstrasse 9,
8752 Näfels
Cucina Pero, Zugerstrasse 33,
8820 Wädenswil
Markus Kleger, Haushalt und
Geschenke, Willenstr. 15,
9230 Flawil
Finnshop AG, In der Altstadt,
9500 Wil
Filiale Neugasse 33,
9000 St. Gallen
Filiale Freierrstrasse 8,
8500 Frauenfeld

ONLINE SHOP SWITZERLAND

www.bodum.com

TAIWAN

SHOP-IN-SHOP

8F, Sogo Department Store,
Chung Hsiao
8F, Shin Kong Mitsukoshi
Department Store Taichung
10F, Far East Department Store,
Banciao

THAILAND

SHOP-IN-SHOP

Isetan 5 Fl., Central world
CDC (Crystal Design Center) B
Building
Emporium
Siam Paragon
Central Chidlom
Robinson Changmai
Central Pattaya
Central Chaengwattana

UNITED KINGDOM

BODUM® OUTLET

Unit 6A
Pingle Drive
Bicester Village
Bicester
Oxfordshire
OX26 6WD
T +44 1869 321 209
F +44 1869 321 209
shop.bicester@bodum.com

ONLINE SHOP UK

www.bodum.com

USA

SHOP-IN-SHOP

BED, BATH & BEYOND, 555 9th St,
San Francisco, CA, 94103
BED, BATH & BEYOND, 600 6th
Ave, New York, NY, 10011
BROADWAY PANHANDLER, 65
East 8th St., New York, NY, 10003
KITCHEN COLLAGE, 430 E. Locust
Street, Des Moines, IA , 50309
KIM'S HOME CENTER, 2940 W
Olympic Blvd., Los Angeles, CA
90006

ONLINE SHOP USA

www.bodumusa.com

BODUM® SALES OFFICES

AUSTRALIA

Bodum (Australia) Pty Ltd
Suite 39, 26-32 Pirrama Road
Pyrmont NSW 2009
Australia
T +61 2 9692 0582
F +61 2 9692 0586
office.australia@bodum.com

AUSTRIA

Peter BODUM® GmbH
Roseggerstrasse 35
DE 21079 Hamburg
T +49 4191 99830
F +49 4191 2969
office.austria@bodum.com

BENELUX

C/O BODUM® AG
Kantonsstrasse 100
Postfach 463
CH-6234 Triengen
T 0900 42 555 België/Belgique
T 0900 43 555 Luxembourg/
Luxembourg
T 0900 263 86 65 Nederland
F +41 41 935 45 91
office.benelux@bodum.com
Agent Belgium/Luxembourg
Rombouts BVBA
Brialmontlei 10
BE-2018 Antwerpen
T +32 3 213 16 13
F +32 3 213 16 05
distribution.belux@bodum.com
Agent The Netherlands
Bonkers B.V.
Molenweg 19A
NL-3738 DC Maartensdijk
T +31 346 21 40 23
F +31 346 21 24 30
distribution.netherlands@bodum.com

CHINA

BODUM® Hong Kong Ltd
Shanghai Representative Office
Unit 15A04, Wang Jiao Plaza
No. 175, Yan'An Road (E)
Shanghai 200002
T +86 21 6326 5870
F +86 21 6326 5873
office.china@bodum.com
Distribution China
BODUM® Hong Kong Ltd
Shanghai Representative Office
Unit 15A04, Wang Jiao Plaza
No. 175, Yan'An Road (E)
Shanghai 200002
T +86 21 6326 5870
F +86 21 6326 5873
office.china@bodum.com

FRANCE

BODUM® France S.A.S
38, avenue de l'Opéra
75002 Paris
T 0821 230 060
F 0811 115 051
office.france@bodum.com

GERMANY

Peter BODUM® GmbH
Roseggerstrasse 35
DE 21079 Hamburg
T +49 4191 99830
F +49 4191 2969
office.germany@bodum.com

GREECE

Distribution Greece
YALCO
9, A Metaxa St. Kifissia
GR 145 64 Athens
T +30 210 629 99 66

HONG KONG

BODUM® Hong Kong Ltd
BODUM® Asia Ltd
Unit 2503, 25/F K. Wah Centre
191 Java Road, North Point
Hong Kong

T +852 25 43 45 55
F +852 25 43 33 23
office.hongkong@bodum.com

Distribution Hong Kong

Carsac Limited
1128, Block B, Sea View Estate
2-8 Watson Road, North Point
Hong Kong
T +852 2968 1088
F +852 2968 5048
distribution.hongkong@bodum.com

ITALY

C/O BODUM® AG
Kantonsstrasse 100
Postfach 463
CH-6234 Triengen
T 199 30 77 78
F 199 30 77 79
office.italy@bodum.com

JAPAN

BODUM® Japan Co., Ltd
3-25-12 Jingumae
Shibuya-ku
150-0001 Tokyo
T +81 3 5775 0681
F +81 3 5775 0701
office.japan@bodum.com

KOREA

Distribution Korea
Sun Woo Ind. Co., Ltd
465-070
#251-6 Hang-Dong
Hanam-City, Kyungki-Do
Korea
T +82 31 793 1172
F +82 31 793 1176
distribution.korea@bodum.com

NEW ZEALAND

Distribution New Zealand
Michael Joyce
19 Westmoreland Street West
Grey Lynn Auckland 1141
T +64 9 376 6667
F +64 9 378 1122
sales@michaeljoyce.co.nz

PORTUGAL

Bodum Portuguesa, Produção de
Artigos Metálicos, SA
Z.l. Tondela, Apartado 8
P3460-909 Tondela
Portugal
T +351 232819900
F +351 232819902
office.portugal@bodum.com
Agent Portugal
Luis Filipe Santos & Luzio, Lda
Avenida Estados Unidos da
América
Nº2 - Loja 9
1700-174 Lisboa
T 21 848 43 08/10
F 21 848 43 09
distribution.portugal@bodum.com

RUSSIA

Distribution Russia
DOMOSTROY
Bely Kuna Ulitsa 32
192 236 Saint Petersburg
T +7 812 334 96 34

SCANDINAVIA

Denmark
BODUM® (SKANDINAVIEN) A/S
Humblebæk Strandvej 21
DK-3050 Humlebæk
T +45 49 14 80 00
F +45 49 18 18 44
office.denmark@bodum.com
Norway
T +47 66 91 04 72
F +47 22 51 36 36
Videreköple til Danmark

Agent Norway
Carl F. Myklestad AS
Sandakerveien 76 F
N-0484 Oslo
T +47 22 09 12 40
F +47 22 09 12 41
Sweden
T +46 87 16 91 60
F +46 87 18 23 27
Kopplas vidare til Danmark

SINGAPORE

Distribution Singapore/
Indonesia/Malaysia
YEO TECK SENG (S) PTE. Ltd
59 Jalan Pemimpin
03-00 L&Y Building
Singapore 577218
T +65 6254 1511
F +65 6251 5415
distribution.singapore@bodum.com

SPAIN

C/O BODUM® AG
Kantonsstrasse 100
Postfach 463
CH-6234 Triengen
T 902 995 604
F 902 996 138
office.spain@bodum.com
Agent Spain
MIM S.I.
Avenida Somosierra, 12-esc. dcha. 1ºB
ES-28700 San Sebastián de los
Reyes (Madrid)
T +34 91 663 61 01
F +34 91 651 01 68
distribution.spain@bodum.com

SWITZERLAND

BODUM® (Schweiz) AG
Kantonsstrasse 100
Postfach 463
6234 Triengen
T +41 41 935 45 00
F +41 41 935 45 80
office.switzerland@bodum.com

TAIWAN

BODUM® Taiwan
7th Floor
5 Kwo Kang Road
205 Keelung City
T +886 2 24 58 38 48
F +886 2 24 58 38 36
distribution.taiwan@bodum.com

THAILAND

Distribution Thailand
CAC Pacific Ltd
89 Chalemprakrit Soi 34
Nongbon, Pravat
Bangkok 10250
Thailand
T +662 328 1984
F +662 328 1985
distribution.thailand@bodum.com

UNITED KINGDOM

BODUM® (UK) Ltd
Hill House
1 Little New Street
London
EC4A 3TR
T 0845 40 17778
office.uk@bodum.com

USA (CANADA, SOUTH AMERICA)

BODUM® USA, Inc.
601 West 26th St.
Suite 1250
New York, NY 10001
T +1 212 367 8844
F +1 212 367 8855
info@bodumusa.com

WARRANTY SERVICE FOR USA – CANADA

For more information or questions, warranty claim and return authorization

FREE CALL – 1.800.23.BODUM/WARRANTY@BODUMUSA.COM

WARRANTY CLAIM CAN NOT BE DONE WITHOUT PROOF OF PURCHASE.

BODUM® warrants the original purchaser from defects in materials and workmanship (parts & labor) for the period of two years from the date of original consumer purchase. To be eligible for warranty coverage the product must be purchased from an authorized BODUM® dealer and proof of purchase must be provided.

2 YEARS LIMITED WARRANTY CERTIFICATE. STAND MIXER

CERTIFICAT DE GARANTIE LIMITÉE DE 2 ANS. ROBOT CULINAIRE

CERTIFICADO DE GARANTÍA LIMITADA DE 2 AÑOS. BATIDORA

Proof of purchase

Firmenstempel

Cachet du revendeur

Firmastempel

Sello de la empresa

Timbro del rivenditore

Stempel van de zaak

Firmastämpel

Carimbo da empresa

Ostotodistus

Доказательство покупки

Date

Datum

Date

Dato

Fecha

Data

Datum

Datum

Data

Päivämäärä

Дата

11381 BISTRO

GUARANTEE CERTIFICATE - GUARANTEE: 2 YEARS. STAND MIXER

GARANTIEZERTIFIKAT - GARANTIE: 2 JAHRE. ELEKTRISCHE KÜCHENMASCHINE

CERTIFICAT DE GARANTIE - GARANTIE: 2 ANS. ROBOT CULINAIRE

GARANTIBEVIS - GARANTI: 2 ÅR. KØKKENMASKINE

CERTIFICADO DE GARANTIA - GARANTÍA: 2 AÑOS. BATIDORA

CERTIFICATO DI GARANZIA - GARANZIA: 2 ANNI. ROBOT DA CUCINA

GARANTIECERTIFIKAAT - GARANTIE: 2 JAAR. STAANDE MIXER

GARANTIBEVIS - GARANTI: 2 ÅRS. MATBEREDARE

CERTIFICADO DE GARANTIA - GARANTIA: 2 ANOS. BATEDEIRA

TAKUU TODISTUS - TAKUU: 2 VUOTTA. YLEISKONE

ГАРАНТИЙНЫЙ СЕРТИФИКАТ - ГАРАНТИЯ: 2 ГОДА. СТАЦИОНАРНЫЙ МИКСЕР



www.bodum.com